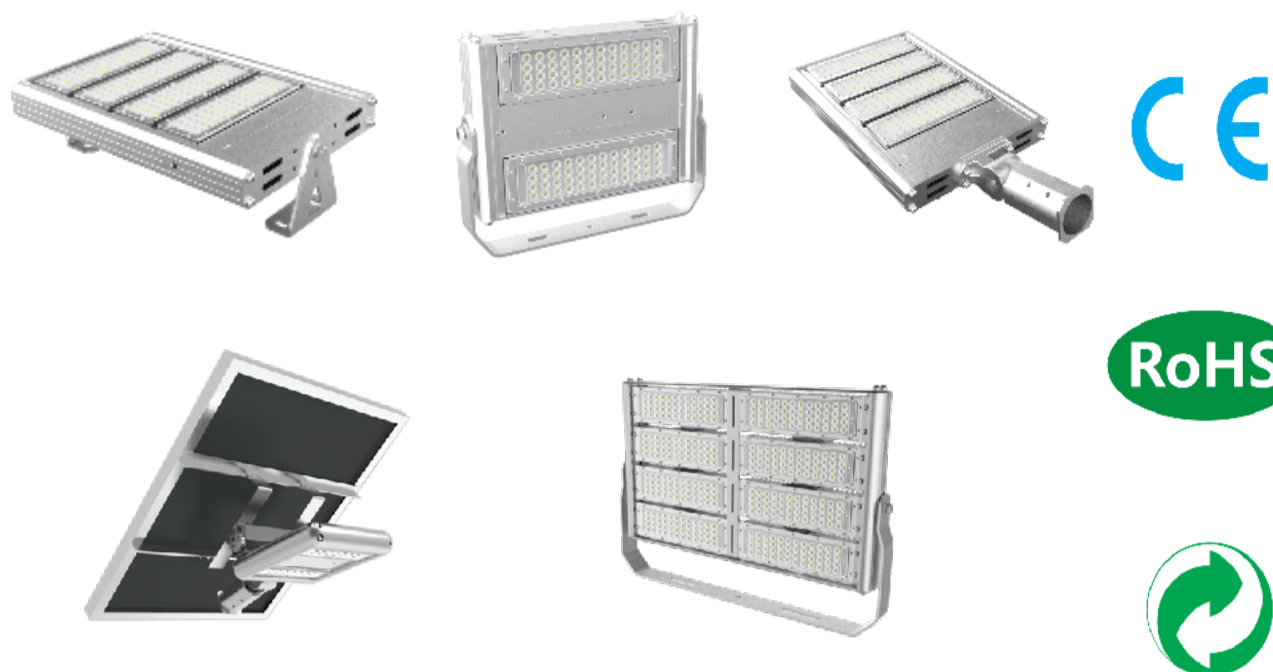


LED Industrial Lighting

LED Floodlight 60W-1000W (Different watts customized)



Features

- OSRAM/PHILIPS Led source, high lumen output over 140lm/W.
- Modular design, available in 60W to 1000W.
- Copper free aluminum, marine grade anti-corrosion.
- Shock and vibration resistant.
- Own design and produced LED drivers are provide reliable operation in harsh environments.
- Capable to work on extreme high and low temperature -45°C~+60°C, keep good performance.
- IP66 and high corrosion resistance, can be used in ocean environment.
- Lightning protection 6KV, THD≤5%.

Applications

- Widely used for all kinds of plants, warehouses and power plant, street, road, and other outdoor flood lighting.
- Replace traditional metal halide lamp,high pressure sodium lamp 150W-2000W.
- Solar energy function optional.

IP66

WF 2

IK 10

140lm/W

+60°C
-45°C

THD= 5%

6KV

LED Lights-Black Leopard	80W	100W	150W	180W	220W	240W	300W	360W	450W	500W	750W	1000W
Lumen output (lm)	9600	12000	18000	21600	26400	28800	36000	43200	54000	60000	90000	120000
HID/HPS Equiv (approx)	150W	150W	250W	300W	450W	500W	600W	700W	900W	1000W	1500W	2000W

Technical parameters

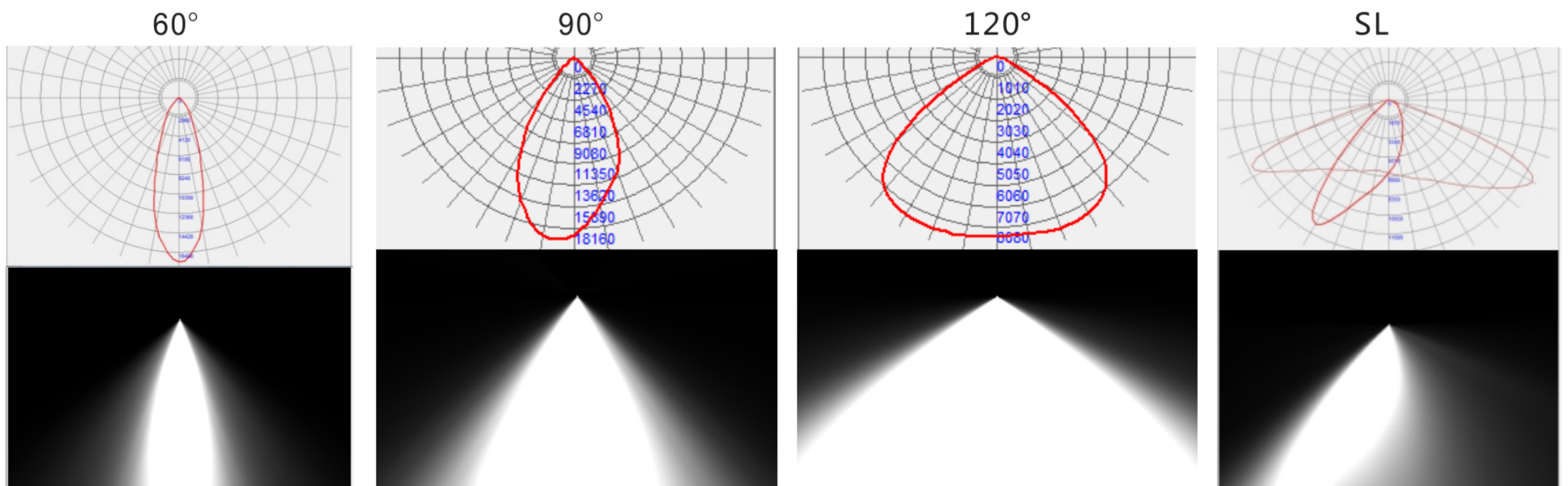
Power consumption	80W	100W	150W	180W	220W	240W
Item No.	BBL80	BBL100	BBL150	BBL180	BBL220	BBL240
Input voltage&frequency	AC 100-277V / 47~63Hz	AC 100-277V / 47~63Hz	AC 100-277V / 47~63Hz	AC 100-277V / 47~63Hz	AC 100-277V / 47~63Hz	AC 100-277V / 47~63Hz
Input current	280 ~ 800mA	360 ~ 1000mA	540 ~ 1500mA	650 ~ 1800mA	815 ~ 2200mA	860 ~ 2400mA
Power factor (PF)	≥0.98	≥0.98	≥0.98	≥0.98	≥0.98	≥0.98
LED chips	OSRAM/HPILIPS	OSRAM/HPILIPS	OSRAM/HPILIPS	OSRAM/HPILIPS	OSRAM/HPILIPS	OSRAM/HPILIPS
Luminous Flux	9600lm	12000lm	18000lm	21600lm	26400lm	28800lm
Colour rendering index (CRI)	Ra > 80	Ra > 80	Ra > 80	Ra > 80	Ra > 80	Ra > 80
Colour temperature	WW:2800 ~ 3300K PW:4700 ~ 5400K CW:5700 ~ 7100K	WW:2800 ~ 3300K PW:4700 ~ 5400K CW:5700 ~ 7100K	WW:2800 ~ 3300K PW:4700 ~ 5400K CW:5700 ~ 7100K	WW:2800 ~ 3300K PW:4700 ~ 5400K CW:5700 ~ 7100K	WW:2800 ~ 3300K PW:4700 ~ 5400K CW:5700 ~ 7100K	WW:2800 ~ 3300K PW:4700 ~ 5400K CW:5700 ~ 7100K
Beam angle	60°/90°/120°/ SL(Note1)	60°/90°/120°/ SL(Note1)	60°/90°/120°/ SL(Note1)	60°/90°/120°/ SL(Note1)	60°/90°/120°/ SL(Note1)	60°/90°/120°/ SL(Note1)
Working ambient temp.	-45°C ~ +60°C	-45°C ~ +60°C	-45°C ~ +60°C	-45°C ~ +60°C	-45°C ~ +60°C	-45°C ~ +60°C
IP Grade	IP66	IP66	IP66	IP66	IP66	IP66
Lifspan	≥60000hrs	≥60000hrs	≥60000hrs	≥60000hrs	≥60000hrs	≥60000hrs
Housing	Copper free Aluminium	Copper free Aluminium	Copper free Aluminium	Copper free Aluminium	Copper free Aluminium	Copper free Aluminium
Front Cover	Polycarbooate	Polycarbooate	Polycarbooate	Polycarbooate	Polycarbooate	Polycarbooate
Demensions	297*331*206mm	297*331*206mm	297*331*206mm	428*331*206mm	512*331*206mm	512*331*206mm
Weight	7kg	7kg	7kg	7.8kg	8.6kg	8.6kg

Note1--SL: Street Light

Power consumption	300W	360W	450W	500W	750W	1000W
Item No.	BBL300	BBL360	BBL450	BBL500	BBL750	BBL1000
Input voltage&frequency	AC 100-277V / 47~63Hz	AC 100-277V / 47~63Hz	AC 100-277V / 47~63Hz	AC 100-277V / 47~63Hz	AC 100-277V / 47~63Hz	AC 100-277V / 47~63Hz
Input current	1000 ~ 3000mA	1300 ~ 3600mA	1600 ~ 4500mA	1800 ~ 5000mA	2700 ~ 7500mA	3600 ~ 10000mA
Power factor (PF)	≥0.98	≥0.98	≥0.98	≥0.98	≥0.98	≥0.98
LED chips	OSRAM/PHILIPS	OSRAM/PHILIPS	OSRAM/PHILIPS	OSRAM/PHILIPS	OSRAM/PHILIPS	OSRAM/PHILIPS
Luminous Flux	36000lm	43200lm	54000lm	60000lm	90000lm	120000lm
Colour rendering index (CRI)	Ra > 80	Ra > 80	Ra > 80	Ra > 80	Ra > 80	Ra > 80
Colour temperature	WW:2800 ~ 3300K PW:4700 ~ 5400K CW:5700 ~ 7100K	WW:2800 ~ 3300K PW:4700 ~ 5400K CW:5700 ~ 7100K	WW:2800 ~ 3300K PW:4700 ~ 5400K CW:5700 ~ 7100K	WW:2800 ~ 3300K PW:4700 ~ 5400K CW:5700 ~ 7100K	WW:2800 ~ 3300K PW:4700 ~ 5400K CW:5700 ~ 7100K	WW:2800 ~ 3300K PW:4700 ~ 5400K CW:5700 ~ 7100K
Beam angle	60°/90°/120°/ SL(Note1)	60°/90°/120°/ SL(Note1)	60°/90°/120°/ SL(Note1)	60°/90°/120°/ SL(Note1)	60°/90°/120°/ SL(Note1)	60°/90°/120°/ SL(Note1)
Working ambient temp.	-45°C ~ +60°C	-45°C ~ +60°C	-45°C ~ +60°C	-45°C ~ +60°C	-45°C ~ +60°C	-45°C ~ +60°C
IP Grade	IP66	IP66	IP66	IP66	IP66	IP66
Lifespan	≥60000hrs	≥60000hrs	≥60000hrs	≥60000hrs	≥60000hrs	≥60000hrs
Housing	Copper free Aluminium	Copper free Aluminium	Copper free Aluminium	Copper free Aluminium	Copper free Aluminium	Copper free Aluminium
Front Cover	Polycarbonate	Polycarbonate	Polycarbonate	Polycarbonate	Polycarbonate	Polycarbonate
Dimensions	596*331*206mm	360*643*100mm	360*643*100mm	444*643*100mm	612*643*100mm	680*726*100mm
Weight	9.4kg	10.2kg	10.2kg	12kg	15.2kg	18.4kg

Note1--SL: Street Light

Solar panels maximum power	Working current	Working voltage	Sunshine time	Resistance to rain	Lead acid battery (optional)	The lithium battery 18650 (optional)	Resistance to wind	IP grade	Solar panels dimensions
250W	8.11(A)	30.85(V)	6(h)	4~5days	12V17Ah—80Ah (equip according to the load)	30~80(PCS)	≥150km/h	IP66	1650X900X50(mm)

Distribution Curve


Installation

Technical drawings showing dimensions and mounting options for the Black Leopard Series light fixture.

Dimensions shown in drawings:

- Overall length: L(596,512,428,297)mm
- Length of mounting bracket: L1(528,444,360,229)
- Height of mounting bracket: 206mm
- Height of light fixture: 331
- Mounting bracket height: 100

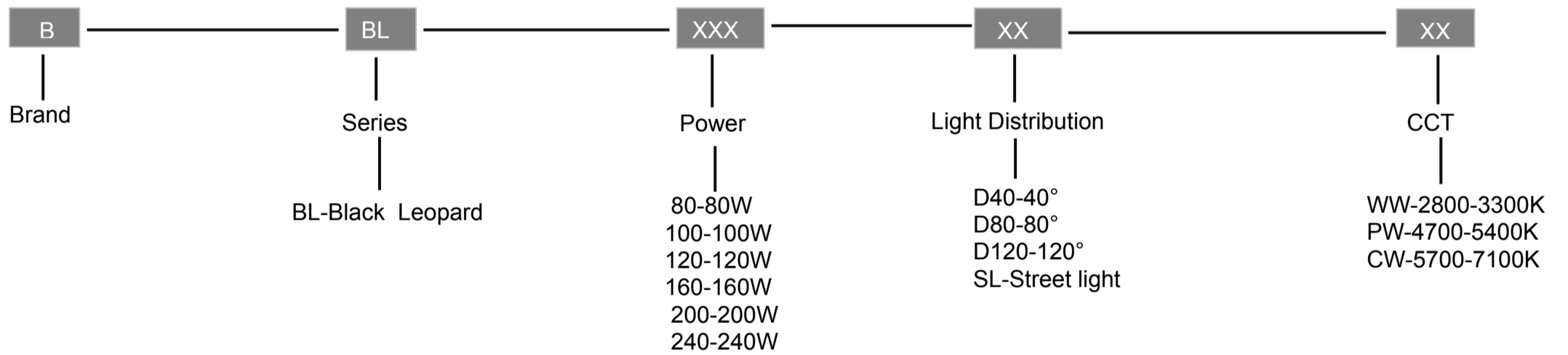
Mounting options shown:

- Street Band mounted

Power	360W		400W		500W		750W		1000W	
L(mm)	A	B	A	B	A	B	A	B	A	B
	360	643	360	643	444	643	612	643	680	726

Ordering Information

Part number definition as follow:



For example: BBL100D120CW