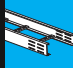




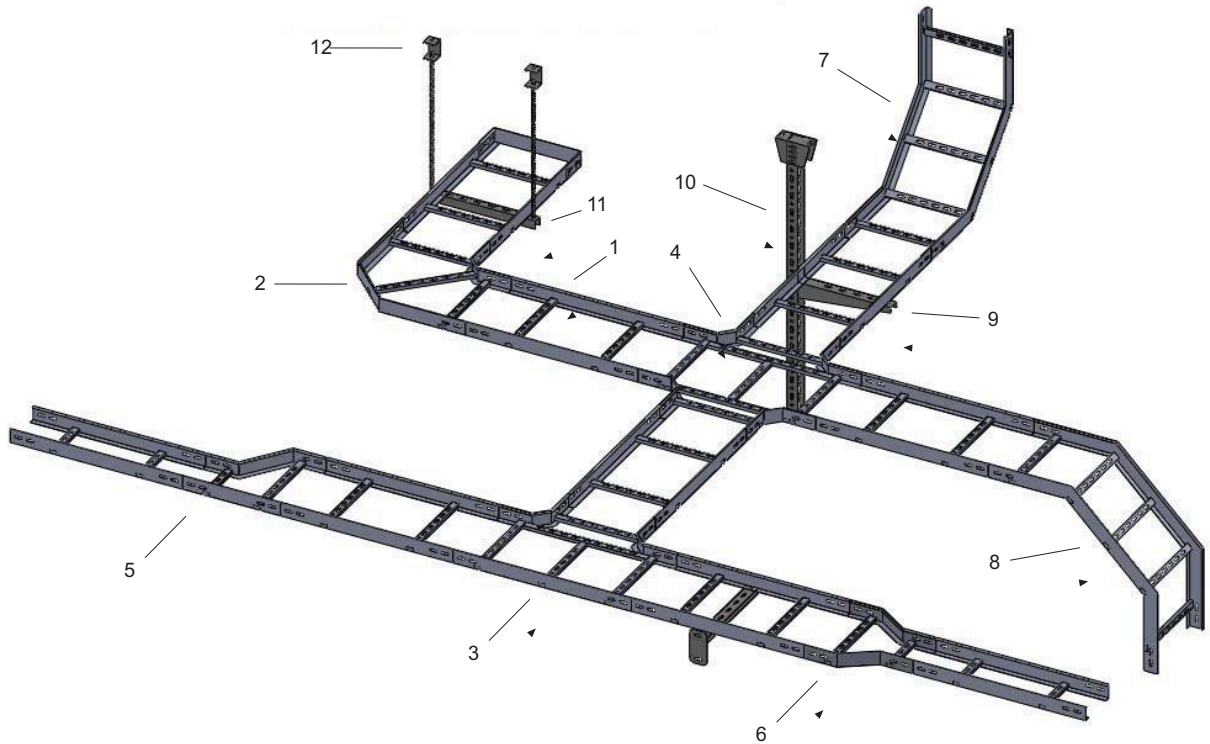
GERPAAS®

Cable ladders
Echelles à câbles
Kabelleitern
Лестничный лоток
Kablo merdivenleri



GERPAAAS[®]

Material options: Stainless steel AISI 304 (L) (A2) / AISI 316 (L) (A4), ST-37-42 Mild Steel, Corten A, Pregalvanized steel, Aluminum
 Finish options : Hot Dip Galvanized to EN 1461, Electrogalvanized to TS 149, Electrostatic Paint Coated, Prime coated
 See material & finish option charts for available product specific selections.



- | | |
|----------------|-----------------|
| 1)- GE-MC1 | 7)- GE-MC1-IB90 |
| 2)- GE-MC1-D90 | 8)- GE-MC1-OB90 |
| 3)- GE-MC1-T | 9)- GE-KD |
| 4)- GE-MC1-DB | 10)- GE-U |
| 5)- GE-MC1-RR | 11)- GE-AE-5U |
| 6)- GE-MC1-R | 12)- GE-AE-2 |

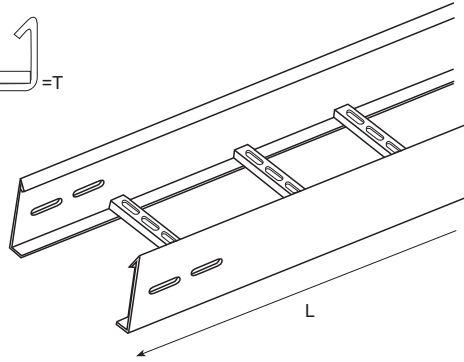
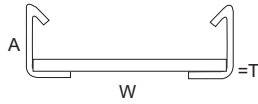


Material options: Stainless steel AISI 304 (L) (A2) / AISI 316 (L) (A4), ST-37-42 Mild Steel, Corten A, Pregalvanized steel, Aluminum
 Finish options : Hot Dip Galvanized to EN 1461, Electrogalvanized to TS 149, Electrostatic Paint Coated, Prime coated
 See material & finish option charts for available product specific selections.

Cable Ladders

50

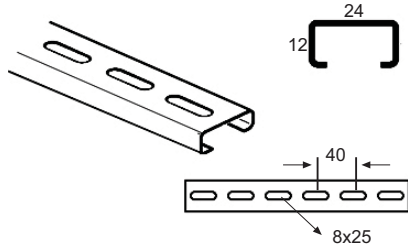
GE-MC1-A50
 Cable ladder, light duty
 Kablo merdiveni
 Легкая долг лестничный лоток



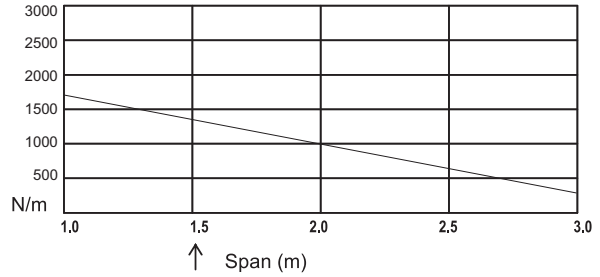
Part No	T	W	A	L	Kg/m
GE-MC1-10-A50	1.5	100	50	3000	2.30
GE-MC1-15-A50	1.5	150	50	3000	2.40
GE-MC1-20-A50	1.5	200	50	3000	2.50
GE-MC1-25-A50	1.5	250	50	3000	2.60
GE-MC1-30-A50	1.5	300	50	3000	2.70
GE-MC1-40-A50	1.5	400	50	3000	2.90
GE-MC1-45-A50	1.5	450	50	3000	3.00
GE-MC1-50-A50	1.5	500	50	3000	3.10
GE-MC1-60-A50	1.5	600	50	3000	3.30
GE-MC1-75-A50	1.5	750	50	3000	3.60
GE-MC1-90-A50	1.5	900	50	3000	3.90

SS4 SS6 HDG EG ESB APB AL

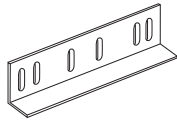
Custom production available upon request.
 Ÿsteđe gre diđer llerde retim yapy.
 Возможно изготовление продукции на заказ.



Base holes available upon request.
 Ÿstek zerine taban delikleri ile imal edilir.
 База доступна дыр по запросу.



GE-EK-50
 Splice plate
 Ek parası
 Связующий элемент



GE-KC-2
 Fixing set
 Kanal civata takm
 Комплект винтового соединения



GE-LCN
 PVC strip
 PVC conta
 Резиновые прокладки



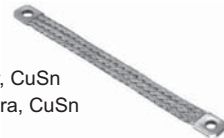
GE-LCND
 PVC strip double
 PVC conta, iftli
 Резиновые прокладки



GE-SPRAY-1
 Zinc spray
 inko sprej
 Spre cinka



GE-BFEC-4
 Flat flexible bar, CuSn
 Yassyesnek bara, CuSn
 İrova



Material options: Stainless steel AISI 304 (L) (A2) / AISI 316 (L) (A4), ST-37-42 Mild Steel, Corten A, Pregalvanized steel, Aluminum
 Finish options : Hot Dip Galvanized to EN 1461, Electrogalvanized to TS 149, Electrostatic Paint Coated, Prime coated
 See material & finish option charts for available product specific selections.

Cable Ladders

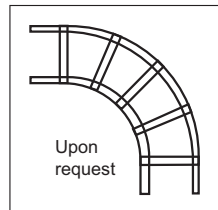
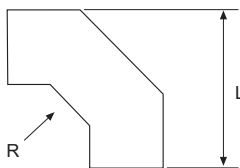
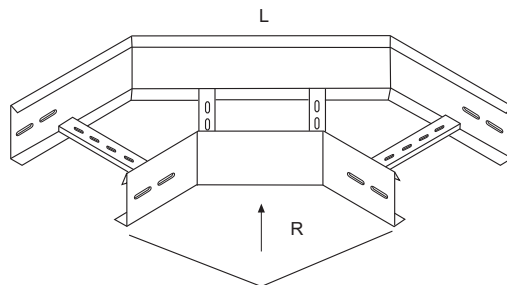
50

GE-MC1-D90-A50

90° flat bend

90° dönüþ elemanı

Секция угловая горизонтальная 90°



Part No	T	W	A	L	Kg
GE-MC1-D90-10-A50	1.5	100	50	260	1.10
GE-MC1-D90-15-A50	1.5	150	50	310	1.30
GE-MC1-D90-20-A50	1.5	200	50	360	1.50
GE-MC1-D90-25-A50	1.5	250	50	410	1.70
GE-MC1-D90-30-A50	1.5	300	50	460	1.90
GE-MC1-D90-40-A50	1.5	400	50	560	2.30
GE-MC1-D90-45-A50	1.5	450	50	610	2.50
GE-MC1-D90-50-A50	1.5	500	50	660	2.70
GE-MC1-D90-60-A50	1.5	600	50	760	3.10
GE-MC1-D90-75-A50	1.5	750	50	910	3.70
GE-MC1-D90-90-A50	1.5	900	50	1060	4.30

Flat bends in 90°, 60°, 45°, 30° are available on request.
 90° flat bend is supplied as standard unless the angle is specified when ordering.

90°, 60°, 45°, 30° dönüþler mevcuttur.

Başka ölçü belirtilmedikçe standart 90° teslim edilir.

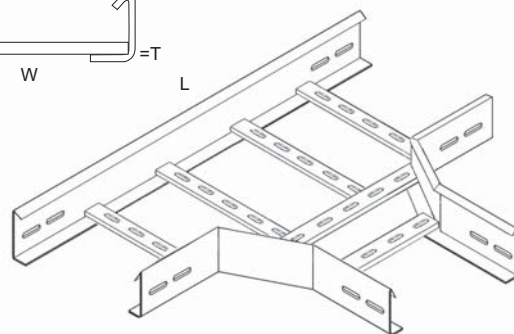
Угловые элементы могут быть изготовлены 90, 60, 45, 30. Стандартный размер 90, кроме случаев оговорённых при заказе.

GE-MC1-T-A50

Tee

T elemanı

T образное разветвление

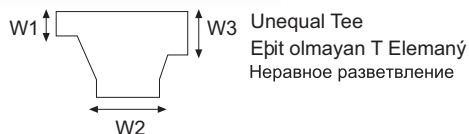
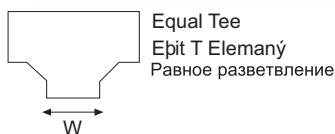


Part No	T	W	A	L	Kg
GE-MC1-T-10-A50	1.5	100	50	420	1.35
GE-MC1-T-15-A50	1.5	150	50	470	1.60
GE-MC1-T-20-A50	1.5	200	50	520	1.85
GE-MC1-T-25-A50	1.5	250	50	570	2.10
GE-MC1-T-30-A50	1.5	300	50	620	2.40
GE-MC1-T-40-A50	1.5	400	50	720	2.90
GE-MC1-T-45-A50	1.5	450	50	770	3.15
GE-MC1-T-50-A50	1.5	500	50	820	3.40
GE-MC1-T-60-A50	1.5	600	50	920	3.90
GE-MC1-T-75-A50	1.5	750	50	1070	4.65
GE-MC1-T-90-A50	1.5	900	50	1220	5.40

Please specify the widths of unequal tees by drawing.

Eþit olmayan T' lerde W ölçülerini sipariþte belirtiniz.

Укажите размеры W неравного T-образного разветвления.

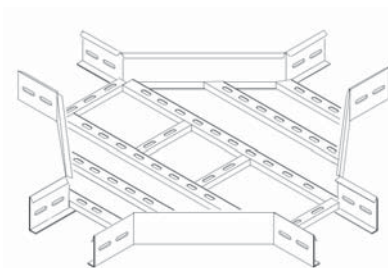
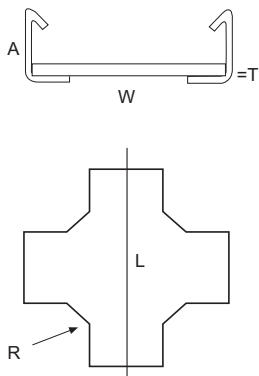


Material options: Stainless steel AISI 304 (L) (A2) / AISI 316 (L) (A4), ST-37-42 Mild Steel, Corten A, Pregalvanized steel, Aluminum
 Finish options : Hot Dip Galvanized to EN 1461, Electrogalvanized to TS 149, Electrostatic Paint Coated, Prime coated
 See material & finish option charts for available product specific selections.

Cable Ladders

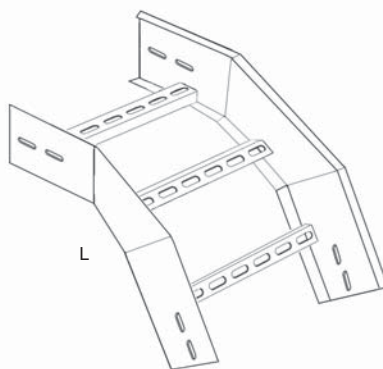
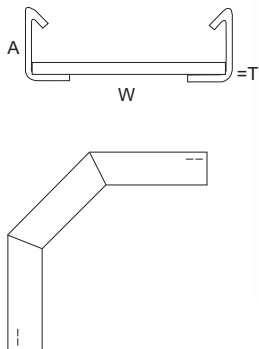
50

GE-MC1-DB-A50
 Crossing
 Dörtlü Bağlantı Elemanı
 Секция крестообразная



Part No	T	W	A	L	Kg
GE-MC1-DB-10-A50	1.5	100	50	420	1.55
GE-MC1-DB-15-A50	1.5	150	50	470	1.85
GE-MC1-DB-20-A50	1.5	200	50	520	2.15
GE-MC1-DB-25-A50	1.5	250	50	570	2.45
GE-MC1-DB-30-A50	1.5	300	50	620	2.75
GE-MC1-DB-40-A50	1.5	400	50	720	3.40
GE-MC1-DB-45-A50	1.5	450	50	770	3.70
GE-MC1-DB-50-A50	1.5	500	50	820	4.00
GE-MC1-DB-60-A50	1.5	600	50	920	4.60
GE-MC1-DB-75-A50	1.5	750	50	1070	5.50
GE-MC1-DB-90-A50	1.5	900	50	1220	6.40

GE-MC1-OB90-A50
 90° vertical bend, outside
 90° dış bükey elemanı
 Внешний угловой элемент 90°



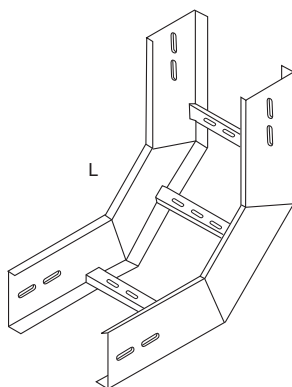
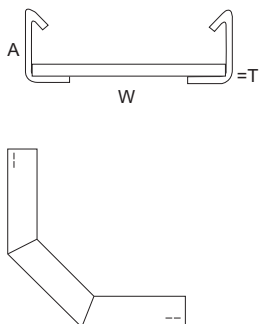
Part No	T	W	A	L	Kg
GE-MC1-OB90-10-A50	1.5	100	50	540	1.80
GE-MC1-OB90-15-A50	1.5	150	50	540	1.90
GE-MC1-OB90-20-A50	1.5	200	50	540	2.00
GE-MC1-OB90-25-A50	1.5	250	50	540	2.10
GE-MC1-OB90-30-A50	1.5	300	50	540	2.20
GE-MC1-OB90-40-A50	1.5	400	50	540	2.40
GE-MC1-OB90-45-A50	1.5	450	50	540	2.50
GE-MC1-OB90-50-A50	1.5	500	50	540	2.60
GE-MC1-OB90-60-A50	1.5	600	50	540	2.80
GE-MC1-OB90-75-A50	1.5	750	50	540	3.10
GE-MC1-OB90-90-A50	1.5	900	50	540	3.40

Vertical bends in 90°, 60°, 45°, 30° are available on request.
 90° vertical bend is supplied in standard unless the angle specified when ordering.

90°, 60°, 45°, 30° dönüpler mevcuttur.
 Başka ölçü belirtilmedikçe standart 90° teslim edilir.

Угловые элементы могут быть изготовлены 90, 60, 45, 30.
 Стандартный размер 90, кроме случаев оговоренных при заказе.

GE-MC1-IB90-A50
 90° vertical bend, inside
 90° iç bükey elemanı
 Внутренний угловой элемент 90°



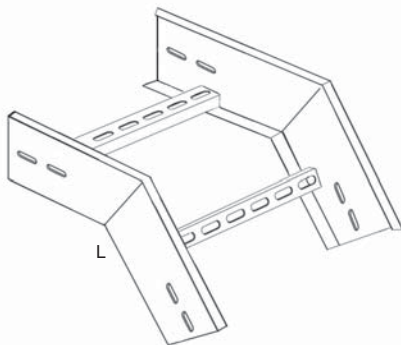
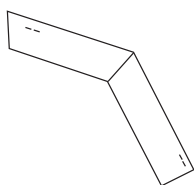
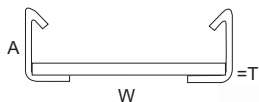
Part No	T	W	A	L	Kg
GE-MC1-IB90-10-A50	1.5	100	50	540	1.80
GE-MC1-IB90-15-A50	1.5	150	50	540	1.90
GE-MC1-IB90-20-A50	1.5	200	50	540	2.00
GE-MC1-IB90-25-A50	1.5	250	50	540	2.10
GE-MC1-IB90-30-A50	1.5	300	50	540	2.20
GE-MC1-IB90-40-A50	1.5	400	50	540	2.40
GE-MC1-IB90-45-A50	1.5	450	50	540	2.50
GE-MC1-IB90-50-A50	1.5	500	50	540	2.60
GE-MC1-IB90-60-A50	1.5	600	50	540	2.80
GE-MC1-IB90-75-A50	1.5	750	50	540	3.10
GE-MC1-IB90-90-A50	1.5	900	50	540	3.40

Material options: Stainless steel AISI 304 (L) (A2) / AISI 316 (L) (A4), ST-37-42 Mild Steel, Corten A, Pregalvanized steel, Aluminum
 Finish options : Hot Dip Galvanized to EN 1461, Electrogalvanized to TS 149, Electrostatic Paint Coated, Prime coated
 See material & finish option charts for available product specific selections.

Cable Ladders

50

GE-MC1-OB45-A50
 45° vertical bend, outside
 45° dış bükey elemanı
 Внешний угловой элемент 45°



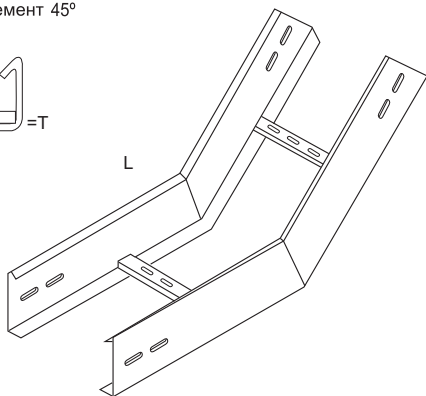
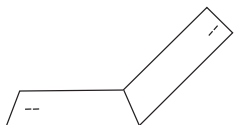
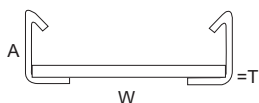
Part No	T	W	A	L	Kg
GE-MC1-OB45-10-A50	1.5	100	50	450	1.20
GE-MC1-OB45-15-A50	1.5	150	50	450	1.30
GE-MC1-OB45-20-A50	1.5	200	50	450	1.40
GE-MC1-OB45-25-A50	1.5	250	50	450	1.50
GE-MC1-OB45-30-A50	1.5	300	50	450	1.60
GE-MC1-OB45-40-A50	1.5	400	50	450	1.80
GE-MC1-OB45-45-A50	1.5	450	50	450	1.90
GE-MC1-OB45-50-A50	1.5	500	50	450	2.00
GE-MC1-OB45-60-A50	1.5	600	50	450	2.20
GE-MC1-OB45-75-A50	1.5	750	50	450	2.50
GE-MC1-OB45-90-A50	1.5	900	50	450	2.80

Vertical bends in 90°, 60°, 45°, 30° are available on request.
 90° vertical bend is supplied in standard unless the angle specified when ordering.

90°, 60°, 45°, 30° dönüşler mevcuttur.
 Başka ölçü belirtilmedikçe standart 90° teslim edilir.

Угловые элементы могут быть изготовлены 90, 60, 45, 30.
 Стандартный размер 90, кроме случаев оговорённых при заказе.

GE-MC1-IB45-A50
 45° vertical bend, inside
 45° iç bükey elemanı
 Внутренний угловой элемент 45°



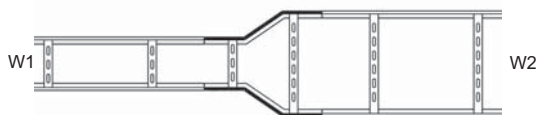
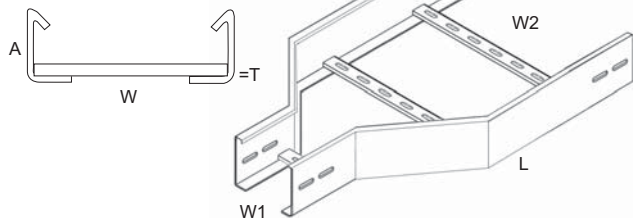
Part No	T	W	A	L	Kg
GE-MC1-IB45-10-A50	1.5	100	50	450	1.20
GE-MC1-IB45-15-A50	1.5	150	50	450	1.30
GE-MC1-IB45-20-A50	1.5	200	50	450	1.40
GE-MC1-IB45-25-A50	1.5	250	50	450	1.50
GE-MC1-IB45-30-A50	1.5	300	50	450	1.60
GE-MC1-IB45-40-A50	1.5	400	50	450	1.80
GE-MC1-IB45-45-A50	1.5	450	50	450	1.90
GE-MC1-IB45-50-A50	1.5	500	50	450	2.00
GE-MC1-IB45-60-A50	1.5	600	50	450	2.20
GE-MC1-IB45-75-A50	1.5	750	50	450	2.50
GE-MC1-IB45-90-A50	1.5	900	50	450	2.80

Material options: Stainless steel AISI 304 (L) (A2) / AISI 316 (L) (A4), ST-37-42 Mild Steel, Corten A, Pregalvanized steel, Aluminum
 Finish options : Hot Dip Galvanized to EN 1461, Electrogalvanized to TS 149, Electrostatic Paint Coated, Prime coated
 See material & finish option charts for available product specific selections.

Cable Ladders

50

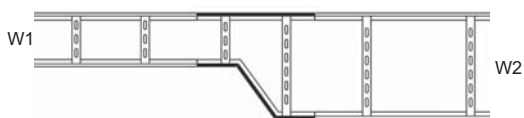
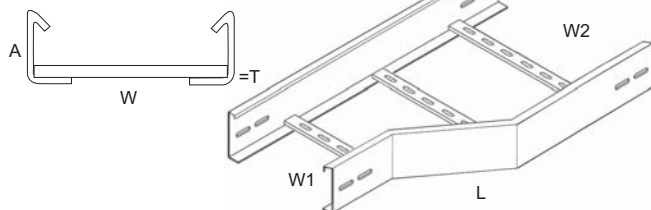
GE-MC1-R-A50
 Straight reducer
 Redüksiyon
 Редукции



Part No	T	W1 - W2	A	L	Kg
GE-MC1-R-10-20-A50	1.5	100 - 200	50	300	1.20
GE-MC1-R-10-30-A50	1.5	100 - 300	50	340	1.40
GE-MC1-R-10-40-A50	1.5	100 - 400	50	400	1.60
GE-MC1-R-10-50-A50	1.5	100 - 500	50	440	1.80
GE-MC1-R-10-60-A50	1.5	100 - 600	50	490	2.00
GE-MC1-R-10-75-A50	1.5	100 - 750	50	560	2.30
GE-MC1-R-10-90-A50	1.5	100 - 900	50	650	2.60

How to order / Kodlama / **Как написать при заказе**
 GE-MC1 R 100 200 A50 HDG
 (Series + Product + Width1 + Width2 + Height + Finish)

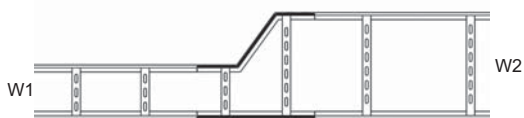
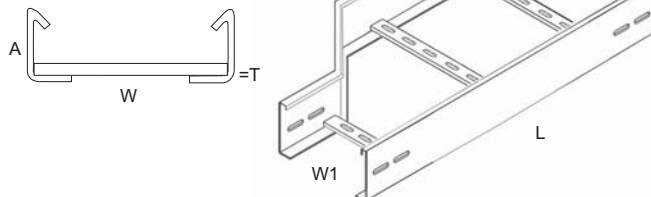
GE-MC1-RL-A50
 Left reducer
 Sola redüksiyon
 Редукции



Part No	T	W1 - W2	A	L	Kg
GE-MC1-RL-10-20-A50	1.5	100 - 200	50	300	1.20
GE-MC1-RL-10-30-A50	1.5	100 - 300	50	340	1.40
GE-MC1-RL-10-40-A50	1.5	100 - 400	50	400	1.60
GE-MC1-RL-10-50-A50	1.5	100 - 500	50	440	1.80
GE-MC1-RL-10-60-A50	1.5	100 - 600	50	490	2.00
GE-MC1-RL-10-75-A50	1.5	100 - 750	50	560	2.30
GE-MC1-RL-10-90-A50	1.5	100 - 900	50	650	2.60

How to order / Kodlama / **Как написать при заказе**
 GE-MC1 RL 100 200 A50 HDG
 (Series + Product + Width1 + Width2 + Height + Finish)

GE-MC1-RR-A50
 Right reducer
 Sağda redüksiyon
 Редукции



Part No	T	W1 - W2	A	L	Kg
GE-MC1-RR-10-20-A50	1.5	100 - 200	50	300	1.20
GE-MC1-RR-10-30-A50	1.5	100 - 300	50	340	1.40
GE-MC1-RR-10-40-A50	1.5	100 - 400	50	400	1.60
GE-MC1-RR-10-50-A50	1.5	100 - 500	50	440	1.80
GE-MC1-RR-10-60-A50	1.5	100 - 600	50	490	2.00
GE-MC1-RR-10-75-A50	1.5	100 - 750	50	560	2.30
GE-MC1-RR-10-90-A50	1.5	100 - 900	50	650	2.60

How to order / Kodlama / **Как написать при заказе**
 GE-MC1 RR 100 200 A50 HDG
 (Series + Product + Width1 + Width2 + Height + Finish)

Material options: Stainless steel AISI 304 (L) (A2) / AISI 316 (L) (A4), ST-37-42 Mild Steel, Corten A, Pregalvanized steel, Aluminum
Finish options : Hot Dip Galvanized to EN 1461, Electrogalvanized to TS 149, Electrostatic Paint Coated, Prime coated
See material & finish option charts for available product specific selections.

Cable Ladders

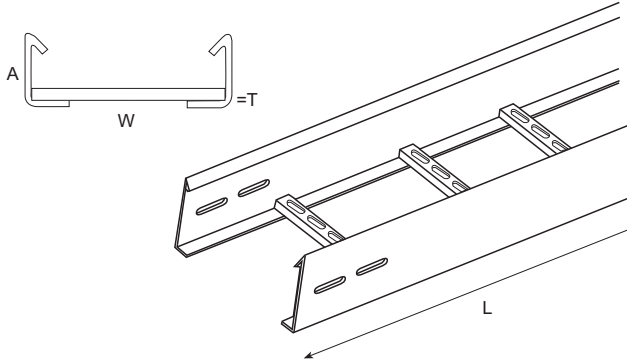
70

GE-MC1-A70

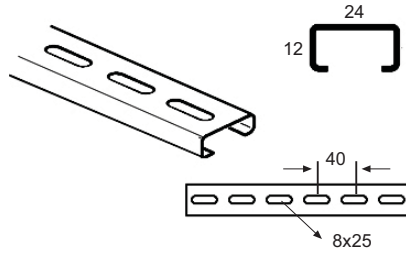
Cable ladder, light duty

Kablo merdiveni

Легкая долг лестничный лоток



Part No	T	W	A	L	Kg/m
GE-MC1-10-A70	1.5	100	70	3000	2.80
GE-MC1-15-A70	1.5	150	70	3000	2.90
GE-MC1-20-A70	1.5	200	70	3000	3.00
GE-MC1-25-A70	1.5	250	70	3000	3.10
GE-MC1-30-A70	1.5	300	70	3000	3.20
GE-MC1-40-A70	1.5	400	70	3000	3.40
GE-MC1-45-A70	1.5	450	70	3000	3.50
GE-MC1-50-A70	1.5	500	70	3000	3.60
GE-MC1-60-A70	1.5	600	70	3000	3.80
GE-MC1-75-A70	1.5	750	70	3000	4.10
GE-MC1-90-A70	1.5	900	70	3000	4.40



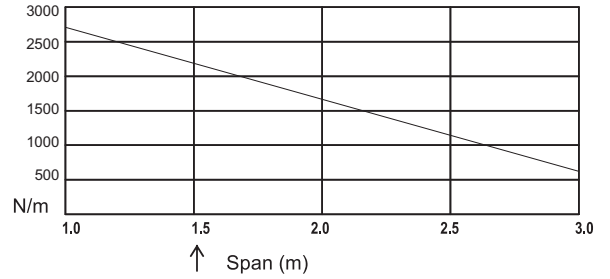
Base holes available upon request.
Ystek üzerine taban delikleri ile imal edilir.
База доступна дыр по запросу.

SS4 SS6 HDG EG ESB APB AL

Custom production available upon request.

Yste de gore di der olcu llerde uretim yapilir.

Возможно изготовление продукции на заказ.

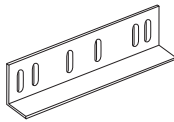


GE-EK-70

Splice plate

Ek parçası

Связующий элемент



GE-KC-2

Fixing set

Kanal civata takımını

Комплект винтового соединения



GE-LCN

PVC strip

PVC conta

Резиновые прокладки



GE-LCND

PVC strip double

PVC conta, çiftli

Резиновые прокладки



GE-SPRAY-1

Zinc spray

Çinko sprej

Sprej cinka

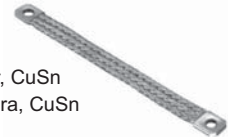


GE-BFEC-4

Flat flexible bar, CuSn

Yassıyesnek bara, CuSn

İrovoâ



Material options: Stainless steel AISI 304 (L) (A2) / AISI 316 (L) (A4), ST-37-42 Mild Steel, Corten A, Pregalvanized steel, Aluminum
 Finish options : Hot Dip Galvanized to EN 1461, Electrogalvanized to TS 149, Electrostatic Paint Coated, Prime coated
 See material & finish option charts for available product specific selections.

Cable Ladders

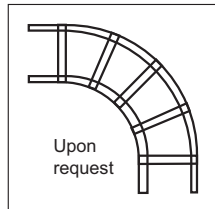
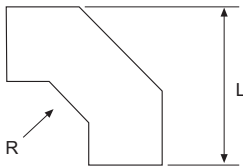
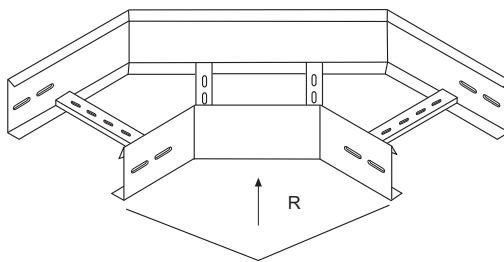
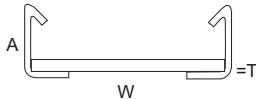
70

GE-MC1-D90-A70

90° flat bend

90° dönüp elemanı

Секция угловая горизонтальная 90°



Part No	T	W	A	L	Kg
GE-MC1-D90-10-A70	1.5	100	70	260	1.35
GE-MC1-D90-15-A70	1.5	150	70	310	1.60
GE-MC1-D90-20-A70	1.5	200	70	360	1.85
GE-MC1-D90-25-A70	1.5	250	70	410	2.10
GE-MC1-D90-30-A70	1.5	300	70	460	2.30
GE-MC1-D90-40-A70	1.5	400	70	560	2.80
GE-MC1-D90-45-A70	1.5	450	70	610	3.10
GE-MC1-D90-50-A70	1.5	500	70	660	3.30
GE-MC1-D90-60-A70	1.5	600	70	760	3.80
GE-MC1-D90-75-A70	1.5	750	70	910	4.50
GE-MC1-D90-90-A70	1.5	900	70	1060	5.25

Flat bends in 90°, 60°, 45°, 30° are available on request. 90° flat bend is supplied as standard unless the angle is specified when ordering.

90°, 60°, 45°, 30° dönüpler mevcuttur.

Başka ölçü belirtilmedikçe standart 90° teslim edilir.

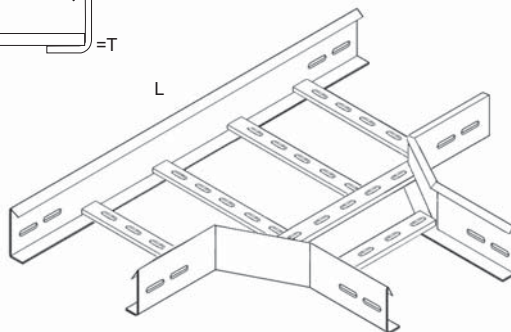
Угловые элементы могут быть изготовлены 90, 60, 45, 30. Стандартный размер 90, кроме случаев оговорённых при заказе.

GE-MC1-T-A70

Tee

T elemanı

T образное разветвление

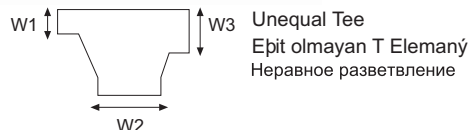
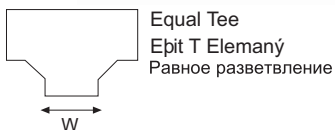


Part No	T	W	A	L	Kg
GE-MC1-T-10-A70	1.5	100	70	420	1.65
GE-MC1-T-15-A70	1.5	150	70	470	1.95
GE-MC1-T-20-A70	1.5	200	70	520	2.30
GE-MC1-T-25-A70	1.5	250	70	570	2.60
GE-MC1-T-30-A70	1.5	300	70	620	2.90
GE-MC1-T-40-A70	1.5	400	70	720	3.50
GE-MC1-T-45-A70	1.5	450	70	770	3.80
GE-MC1-T-50-A70	1.5	500	70	820	4.10
GE-MC1-T-60-A70	1.5	600	70	920	4.70
GE-MC1-T-75-A70	1.5	750	70	1070	5.60
GE-MC1-T-90-A70	1.5	900	70	1220	6.50

Please specify the widths of unequal tees by drawing.

Eğit olmayan T' lerde W ölçülerini siparişte belirtiniz.

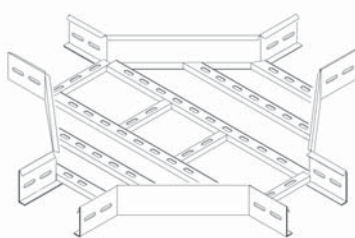
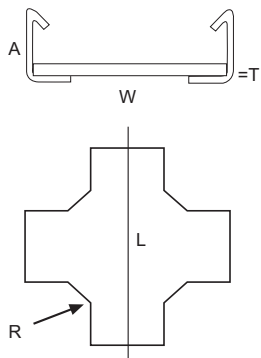
Укажите размеры W неравного T-образного разветвления.



Material options: Stainless steel AISI 304 (L) (A2) / AISI 316 (L) (A4), ST-37-42 Mild Steel, Corten A, Pregalvanized steel, Aluminum
 Finish options : Hot Dip Galvanized to EN 1461, Electrogalvanized to TS 149, Electrostatic Paint Coated, Prime coated
 See material & finish option charts for available product specific selections.

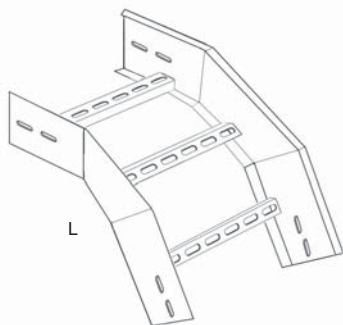
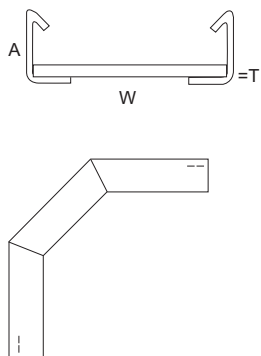
Cable Ladders 70

GE-MC1-DB-A70
 Crossing
 Dörtlü Bađlantı Elemanı
 Секция крестообразная



Part No	T	W	A	L	Kg
GE-MC1-DB-10-A70	1.5	100	70	420	1.90
GE-MC1-DB-15-A70	1.5	150	70	470	2.25
GE-MC1-DB-20-A70	1.5	200	70	520	2.60
GE-MC1-DB-25-A70	1.5	250	70	570	2.95
GE-MC1-DB-30-A70	1.5	300	70	620	3.30
GE-MC1-DB-40-A70	1.5	400	70	720	4.00
GE-MC1-DB-45-A70	1.5	450	70	770	4.35
GE-MC1-DB-50-A70	1.5	500	70	820	4.70
GE-MC1-DB-60-A70	1.5	600	70	920	5.40
GE-MC1-DB-75-A70	1.5	750	70	1070	6.45
GE-MC1-DB-90-A70	1.5	900	70	1220	7.50

GE-MC1-OB90-A70
 90° vertical bend, outside
 90° dış bükey elemanı
 Внешний угловой элемент 90°



Part No	T	W	A	L	Kg
GE-MC1-OB90-10-A70	1.5	100	70	540	2.20
GE-MC1-OB90-15-A70	1.5	150	70	540	2.30
GE-MC1-OB90-20-A70	1.5	200	70	540	2.40
GE-MC1-OB90-25-A70	1.5	250	70	540	2.50
GE-MC1-OB90-30-A70	1.5	300	70	540	2.60
GE-MC1-OB90-40-A70	1.5	400	70	540	2.80
GE-MC1-OB90-45-A70	1.5	450	70	540	2.90
GE-MC1-OB90-50-A70	1.5	500	70	540	3.00
GE-MC1-OB90-60-A70	1.5	600	70	540	3.20
GE-MC1-OB90-75-A70	1.5	750	70	540	3.50
GE-MC1-OB90-90-A70	1.5	900	70	540	3.80

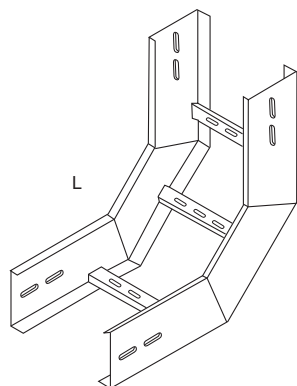
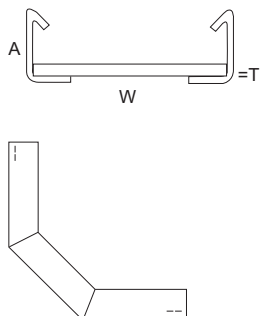
Vertical bends in 90°, 60°, 45°, 30° are available on request.
 90° vertical bend is supplied in standard unless the angle specified when ordering.

90°, 60°, 45°, 30° dönüpler mevcuttur.

Diđer ölçü belirtilmedikçe standart 90° teslim edilir.

Угловые элементы могут быть изготовлены 90, 60, 45, 30. Стандартный размер 90, кроме случаев оговорённых при заказе.

GE-MC1-IB90-A70
 90° vertical bend, inside
 90° iç bükey elemanı
 Внутренний угловой элемент 90°



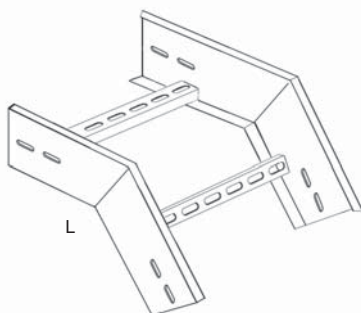
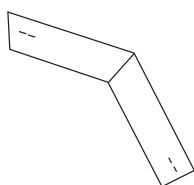
Part No	T	W	A	L	Kg
GE-MC1-IB90-10-A70	1.5	100	70	540	2.20
GE-MC1-IB90-15-A70	1.5	150	70	540	2.30
GE-MC1-IB90-20-A70	1.5	200	70	540	2.40
GE-MC1-IB90-25-A70	1.5	250	70	540	2.50
GE-MC1-IB90-30-A70	1.5	300	70	540	2.60
GE-MC1-IB90-40-A70	1.5	400	70	540	2.80
GE-MC1-IB90-45-A70	1.5	450	70	540	2.90
GE-MC1-IB90-50-A70	1.5	500	70	540	3.00
GE-MC1-IB90-60-A70	1.5	600	70	540	3.20
GE-MC1-IB90-75-A70	1.5	750	70	540	3.50
GE-MC1-IB90-90-A70	1.5	900	70	540	3.80

Material options: Stainless steel AISI 304 (L) (A2) / AISI 316 (L) (A4), ST-37-42 Mild Steel, Corten A, Pregalvanized steel, Aluminum
 Finish options : Hot Dip Galvanized to EN 1461, Electrogalvanized to TS 149, Electrostatic Paint Coated, Prime coated
 See material & finish option charts for available product specific selections.

Cable Ladders

70

GE-MC1-OB45-A70
 45° vertical bend, outside
 45° dış bükey elemanı
 Внешний угловой элемент 45°



Part No	T	W	A	L	Kg
GE-MC1-OB45-10-A70	1.5	100	70	450	1.50
GE-MC1-OB45-15-A70	1.5	150	70	450	1.60
GE-MC1-OB45-20-A70	1.5	200	70	450	1.70
GE-MC1-OB45-25-A70	1.5	250	70	450	1.80
GE-MC1-OB45-30-A70	1.5	300	70	450	1.90
GE-MC1-OB45-40-A70	1.5	400	70	450	2.10
GE-MC1-OB45-45-A70	1.5	450	70	450	2.20
GE-MC1-OB45-50-A70	1.5	500	70	450	2.30
GE-MC1-OB45-60-A70	1.5	600	70	450	2.50
GE-MC1-OB45-75-A70	1.5	750	70	450	2.80
GE-MC1-OB45-90-A70	1.5	900	70	450	3.10

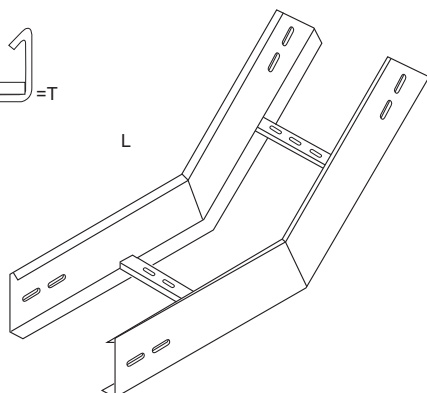
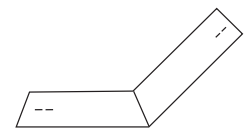
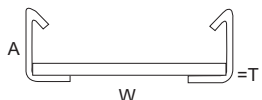
Vertical bends in 90°, 60°, 45°, 30° are available on request.
 90° vertical bend is supplied in standard unless the angle specified when ordering.

90°, 60°, 45°, 30° dönüpler mevcuttur.

Başka ölçü belirtilmedikçe standart 90° teslim edilir.

Угловые элементы могут быть изготовлены 90, 60, 45, 30.
 Стандартный размер 90, кроме случаев оговорённых при заказе.

GE-MC1-IB45-A70
 45° vertical bend, inside
 45° iç bükey elemanı
 Внутренний угловой элемент 45°

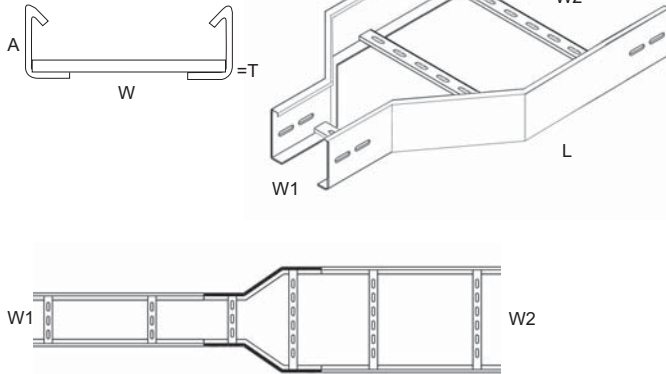


Part No	T	W	A	L	Kg
GE-MC1-IB45-10-A70	1.5	100	70	450	1.50
GE-MC1-IB45-15-A70	1.5	150	70	450	1.60
GE-MC1-IB45-20-A70	1.5	200	70	450	1.70
GE-MC1-IB45-25-A70	1.5	250	70	450	1.80
GE-MC1-IB45-30-A70	1.5	300	70	450	1.90
GE-MC1-IB45-40-A70	1.5	400	70	450	2.10
GE-MC1-IB45-45-A70	1.5	450	70	450	2.20
GE-MC1-IB45-50-A70	1.5	500	70	450	2.30
GE-MC1-IB45-60-A70	1.5	600	70	450	2.50
GE-MC1-IB45-75-A70	1.5	750	70	450	2.80
GE-MC1-IB45-90-A70	1.5	900	70	450	3.10

Material options: Stainless steel AISI 304 (L) (A2) / AISI 316 (L) (A4), ST-37-42 Mild Steel, Corten A, Pregalvanized steel, Aluminum
 Finish options : Hot Dip Galvanized to EN 1461, Electrogalvanized to TS 149, Electrostatic Paint Coated, Prime coated
 See material & finish option charts for available product specific selections.

Cable Ladders 70

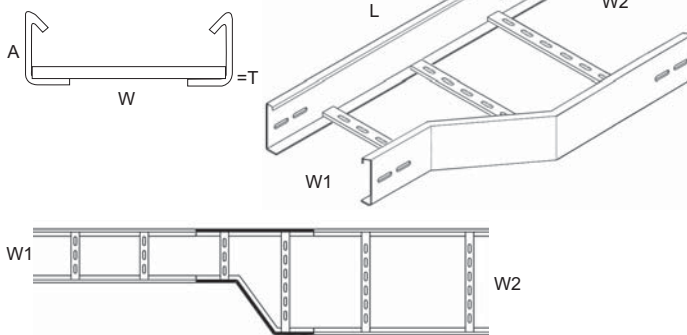
GE-MC1-R-A70
 Straight reducer
 Redüksiyon
 Редукции



Part No	T	W1 - W2	A	L	Kg
GE-MC1-R-10-20-A70	1.5	100 - 200	70	300	1.50
GE-MC1-R-10-30-A70	1.5	100 - 300	70	340	1.70
GE-MC1-R-10-40-A70	1.5	100 - 400	70	400	2.00
GE-MC1-R-10-50-A70	1.5	100 - 500	70	440	2.30
GE-MC1-R-10-60-A70	1.5	100 - 600	70	490	2.50
GE-MC1-R-10-75-A70	1.5	100 - 750	70	560	2.80
GE-MC1-R-10-90-A70	1.5	100 - 900	70	650	3.20

How to order / Kodlama / **Как написать при заказе**
 GE-MC1 R 100 200 A70 HDG
 (Series + Product + Width1 + Width2 + Height + Finish)

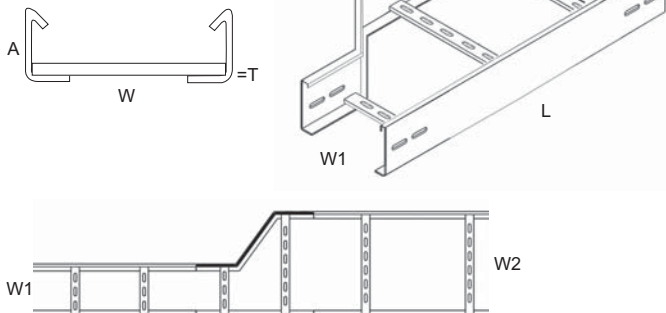
GE-MC1-RL-A70
 Left reducer
 Sola redüksiyon
 Редукции



Part No	T	W1 - W2	A	L	Kg
GE-MC1-RL-10-20-A70	1.5	100 - 200	70	300	1.50
GE-MC1-RL-10-30-A70	1.5	100 - 300	70	340	1.70
GE-MC1-RL-10-40-A70	1.5	100 - 400	70	400	2.00
GE-MC1-RL-10-50-A70	1.5	100 - 500	70	440	2.30
GE-MC1-RL-10-60-A70	1.5	100 - 600	70	490	2.50
GE-MC1-RL-10-75-A70	1.5	100 - 750	70	560	2.80
GE-MC1-RL-10-90-A70	1.5	100 - 900	70	650	3.20

How to order / Kodlama / **Как написать при заказе**
 GE-MC1 RL 100 200 A70 HDG
 (Series + Product + Width1 + Width2 + Height + Finish)

GE-MC1-RR-A70
 Right reducer
 Sağa redüksiyon
 Редукции



Part No	T	W1 - W2	A	L	Kg
GE-MC1-RR-10-20-A70	1.5	100 - 200	70	300	1.50
GE-MC1-RR-10-30-A70	1.5	100 - 300	70	340	1.70
GE-MC1-RR-10-40-A70	1.5	100 - 400	70	400	2.00
GE-MC1-RR-10-50-A70	1.5	100 - 500	70	440	2.30
GE-MC1-RR-10-60-A70	1.5	100 - 600	70	490	2.50
GE-MC1-RR-10-75-A70	1.5	100 - 750	70	560	2.80
GE-MC1-RR-10-90-A70	1.5	100 - 900	70	650	3.20

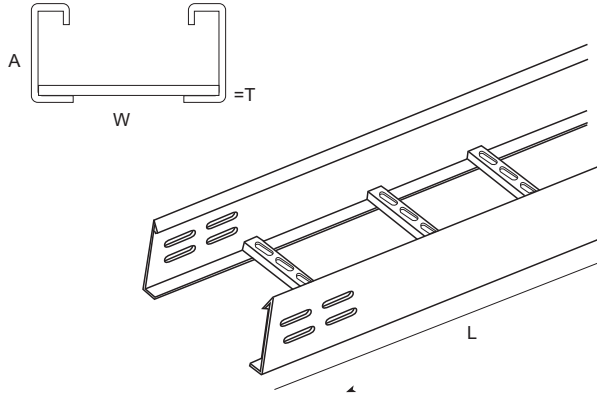
How to order / Kodlama / **Как написать при заказе**
 GE-MC1 RR 100 200 A70 HDG
 (Series + Product + Width1 + Width2 + Height + Finish)

Material options: Stainless steel AISI 304 (L) (A2) / AISI 316 (L) (A4), ST-37-42 Mild Steel, Corten A, Pregalvanized steel, Aluminum
Finish options : Hot Dip Galvanized to EN 1461, Electrogalvanized to TS 149, Electrostatic Paint Coated, Prime coated
See material & finish option charts for available product specific selections.

Cable Ladders

100

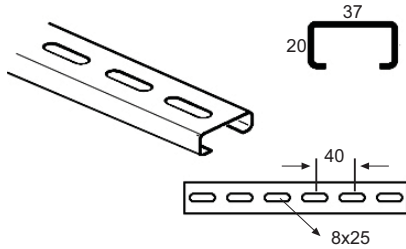
GE-MC2-A100
Cable ladder, medium duty
Kablo merdiveni
Лестничный лоток



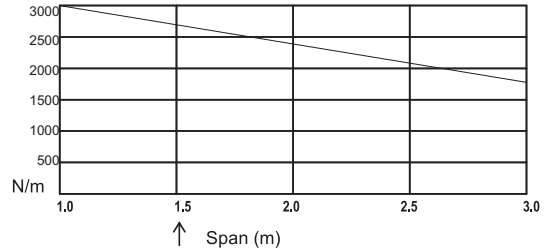
Part No	T	W	A	L	Kg
GE-MC2-10-A100	1.5	100	100	3000	4.00
GE-MC2-15-A100	1.5	150	100	3000	4.15
GE-MC2-20-A100	1.5	200	100	3000	4.30
GE-MC2-25-A100	1.5	250	100	3000	4.45
GE-MC2-30-A100	1.5	300	100	3000	4.60
GE-MC2-40-A100	1.5	400	100	3000	4.90
GE-MC2-45-A100	1.5	450	100	3000	5.05
GE-MC2-50-A100	1.5	500	100	3000	5.20
GE-MC2-60-A100	1.5	600	100	3000	5.50
GE-MC2-75-A100	1.5	750	100	3000	5.95
GE-MC2-90-A100	1.5	900	100	3000	6.40

SS4 SS6 HDG EG ESB APB AL

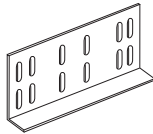
Custom production available upon request.
Ÿsteđe göre diđer ölçülerde üretim yapılr.
Возможно изготовление продукции на заказ.



Base holes available upon request.
Ÿstek Ÿzerine taban delikleri ile imal edilir.
База доступна дыр по запросу.



GE-EK-100
Splice plate
Ek parçası
Связующий элемент



GE-KC-2
Fixing set
Kanal civata takımı
Комплект винтового соединения



GE-LCN
PVC strip
PVC conta
Резиновые прокладки



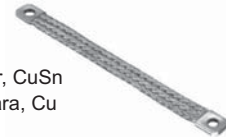
GE-LCND
PVC strip double
PVC conta, çiftli
Резиновые прокладки



GE-SPRAY-1
Zinc spray
Çinko sprej
Spreo cinka



GE-BFEC-4
Flat flexible bar, CuSn
Yassıyesnek bara, Cu İrovođ



Material options: Stainless steel AISI 304 (L) (A2) / AISI 316 (L) (A4), ST-37-42 Mild Steel, Corten A, Pregalvanized steel, Aluminum
 Finish options : Hot Dip Galvanized to EN 1461, Electrogalvanized to TS 149, Electrostatic Paint Coated, Prime coated
 See material & finish option charts for available product specific selections.

Cable Ladders

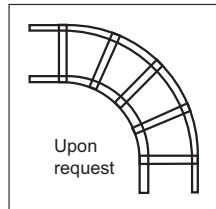
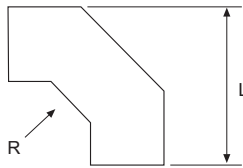
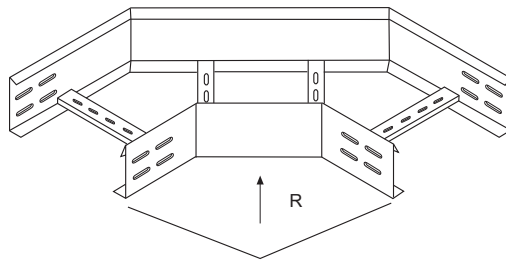
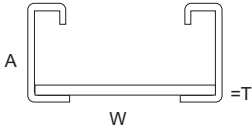
100

GE-MC2-D90-A100

90° flat bend

90° dönüþ elemanı

Секция угловая горизонтальная 90°



Part No	T	W	A	L	Kg
GE-MC2-D90-10-A100	1.5	100	100	260	1.65
GE-MC2-D90-15-A100	1.5	150	100	310	1.90
GE-MC2-D90-20-A100	1.5	200	100	360	2.05
GE-MC2-D90-25-A100	1.5	250	100	410	2.30
GE-MC2-D90-30-A100	1.5	300	100	460	2.55
GE-MC2-D90-40-A100	1.5	400	100	560	3.10
GE-MC2-D90-45-A100	1.5	450	100	610	3.35
GE-MC2-D90-50-A100	1.5	500	100	660	3.60
GE-MC2-D90-60-A100	1.5	600	100	760	4.10
GE-MC2-D90-75-A100	1.5	750	100	910	4.85
GE-MC2-D90-90-A100	1.5	900	100	1060	5.60

Flat bends in 90°, 60°, 45°, 30° are available on request. 90° flat bend is supplied as standard unless the angle is specified when ordering.

90°, 60°, 45°, 30° dönüþler mevcuttur. Baþka ölçü belirtilmedikçe standart 90° teslim edilir.

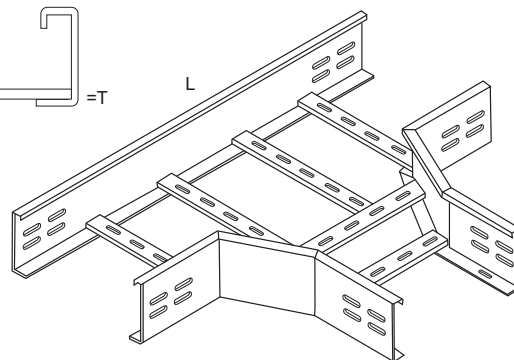
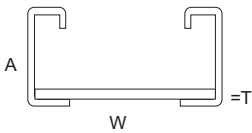
Угловые элементы могут быть изготовлены 90, 60, 45, 30. Стандартный размер 90, кроме случаев оговорённых при заказе.

GE-MC2-T-A100

Tee

T elemanı

T образное разветвление

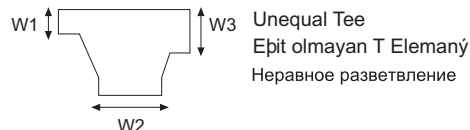
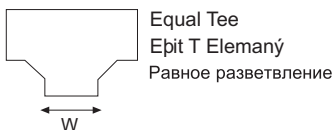


Part No	T	W	A	L	Kg
GE-MC2-T-10-A100	1.5	100	100	420	2.00
GE-MC2-T-15-A100	1.5	150	100	470	2.40
GE-MC2-T-20-A100	1.5	200	100	520	2.80
GE-MC2-T-25-A100	1.5	250	100	570	3.20
GE-MC2-T-30-A100	1.5	300	100	620	3.60
GE-MC2-T-40-A100	1.5	400	100	720	4.50
GE-MC2-T-45-A100	1.5	450	100	770	4.80
GE-MC2-T-50-A100	1.5	500	100	820	5.20
GE-MC2-T-60-A100	1.5	600	100	920	6.00
GE-MC2-T-75-A100	1.5	750	100	1070	7.20
GE-MC2-T-90-A100	1.5	900	100	1220	8.40

Please specify the widths of unequal tees by drawing.

Eþit olmayan T' lerde W ölçülerini sipariþte belirtiniz.

Укажите размеры W неравного T-образного разветвления.

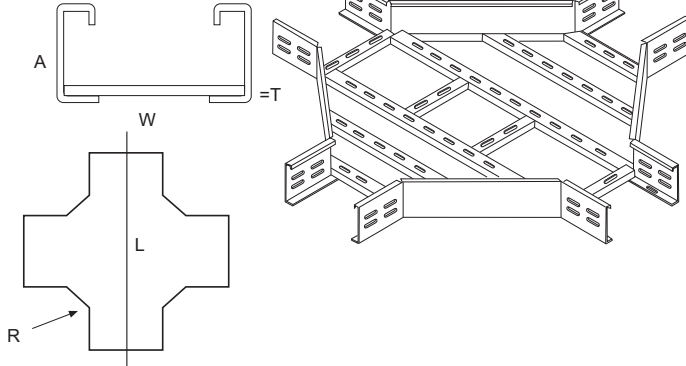


Material options: Stainless steel AISI 304 (L) (A2) / AISI 316 (L) (A4), ST-37-42 Mild Steel, Corten A, Pregalvanized steel, Aluminum
 Finish options : Hot Dip Galvanized to EN 1461, Electrogalvanized to TS 149, Electrostatic Paint Coated, Prime coated
 See material & finish option charts for available product specific selections.

Cable Ladders

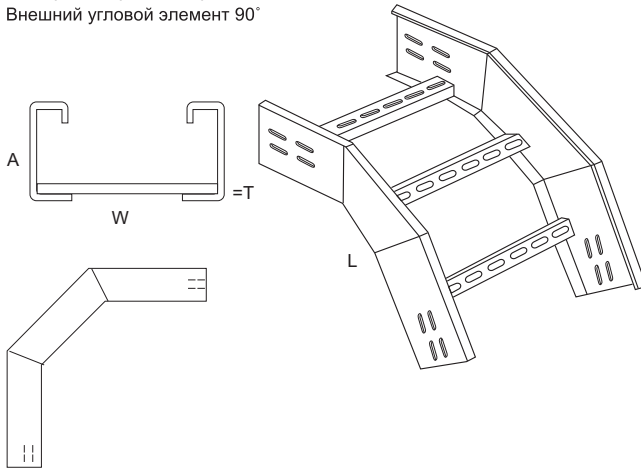
100

GE-MC2-DB-A100
 Crossing
 Dörtlü Bağlantı Elemanı
 Секция крестообразная



Part No	T	W	A	L	Kg
GE-MC2-DB-10-A100	1.5	100	100	420	2.30
GE-MC2-DB-15-A100	1.5	150	100	470	2.75
GE-MC2-DB-20-A100	1.5	200	100	520	3.20
GE-MC2-DB-25-A100	1.5	250	100	570	3.65
GE-MC2-DB-30-A100	1.5	300	100	620	4.10
GE-MC2-DB-40-A100	1.5	400	100	720	5.00
GE-MC2-DB-45-A100	1.5	450	100	770	5.45
GE-MC2-DB-50-A100	1.5	500	100	820	5.90
GE-MC2-DB-60-A100	1.5	600	100	920	6.80
GE-MC2-DB-75-A100	1.5	750	100	1070	8.15
GE-MC2-DB-90-A100	1.5	900	100	1220	9.50

GE-MC2-OB90-A100
 90° vertical bend, outside
 90° dış bükey elemanı
 Внешний угловой элемент 90°



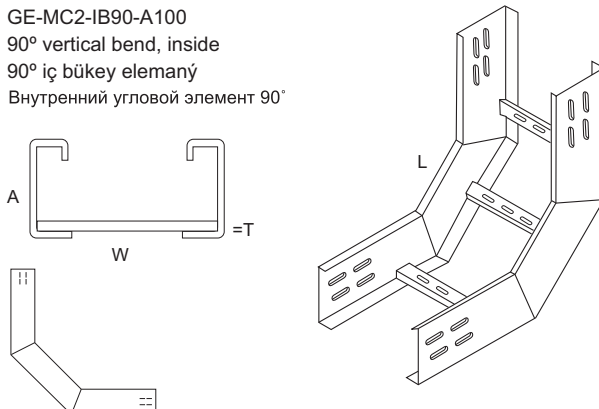
Part No	T	W	A	L	Kg
GE-MC2-OB90-10-A100	1.5	100	100	540	2.70
GE-MC2-OB90-15-A100	1.5	150	100	540	2.80
GE-MC2-OB90-20-A100	1.5	200	100	540	3.30
GE-MC2-OB90-25-A100	1.5	250	100	540	3.80
GE-MC2-OB90-30-A100	1.5	300	100	540	4.30
GE-MC2-OB90-40-A100	1.5	400	100	540	5.30
GE-MC2-OB90-45-A100	1.5	450	100	540	5.80
GE-MC2-OB90-50-A100	1.5	500	100	540	6.30
GE-MC2-OB90-60-A100	1.5	600	100	540	7.30
GE-MC2-OB90-75-A100	1.5	750	100	540	8.80
GE-MC2-OB90-90-A100	1.5	900	100	540	10.30

Vertical bends in 90°, 60°, 45°, 30° are available on request. 90° vertical bend is supplied in standard unless the angle specified when ordering.

90°, 60°, 45°, 30° dönüpler mevcuttur. Başka ölçü belirtilmedikçe standart 90° teslim edilir.

Угловые элементы могут быть изготовлены 90, 60, 45, 30. Стандартный размер 90, кроме случаев оговорённых при заказе.

GE-MC2-IB90-A100
 90° vertical bend, inside
 90° iç bükey elemanı
 Внутренний угловой элемент 90°



Part No	T	W	A	L	Kg
GE-MC2-IB90-10-A100	1.5	100	100	540	2.70
GE-MC2-IB90-15-A100	1.5	150	100	540	2.80
GE-MC2-IB90-20-A100	1.5	200	100	540	3.30
GE-MC2-IB90-25-A100	1.5	250	100	540	3.80
GE-MC2-IB90-30-A100	1.5	300	100	540	4.30
GE-MC2-IB90-40-A100	1.5	400	100	540	5.30
GE-MC2-IB90-45-A100	1.5	450	100	540	5.80
GE-MC2-IB90-50-A100	1.5	500	100	540	6.30
GE-MC2-IB90-60-A100	1.5	600	100	540	7.30
GE-MC2-IB90-75-A100	1.5	750	100	540	8.80
GE-MC2-IB90-90-A100	1.5	900	100	540	10.30

Material options: Stainless steel AISI 304 (L) (A2) / AISI 316 (L) (A4), ST-37-42 Mild Steel, Corten A, Pregalvanized steel, Aluminum
 Finish options : Hot Dip Galvanized to EN 1461, Electrogalvanized to TS 149, Electrostatic Paint Coated, Prime coated
 See material & finish option charts for available product specific selections.

Cable Ladders

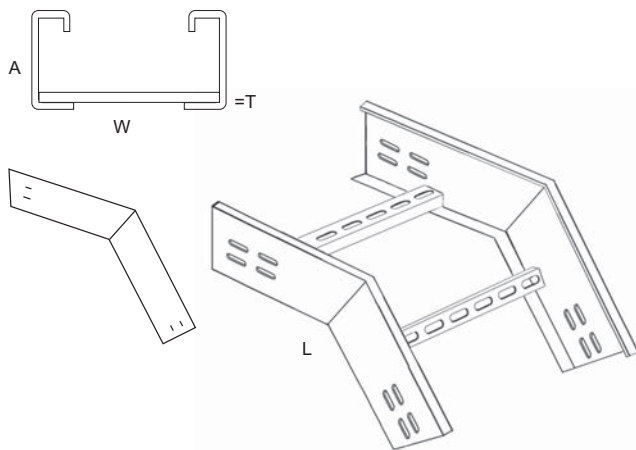
100

GE-MC2-OB45-A100

45° vertical bend, outside

45° dış bükey elemanı

Внешний угловой элемент 45°



Part No	T	W	A	L	Kg
GE-MC2-OB45-10-A100	1.5	100	100	450	1.85
GE-MC2-OB45-15-A100	1.5	150	100	450	1.95
GE-MC2-OB45-20-A100	1.5	200	100	450	2.05
GE-MC2-OB45-25-A100	1.5	250	100	450	2.15
GE-MC2-OB45-30-A100	1.5	300	100	450	2.25
GE-MC2-OB45-40-A100	1.5	400	100	450	2.45
GE-MC2-OB45-45-A100	1.5	450	100	450	2.55
GE-MC2-OB45-50-A100	1.5	500	100	450	2.65
GE-MC2-OB45-60-A100	1.5	600	100	450	2.85
GE-MC2-OB45-75-A100	1.5	750	100	450	3.10
GE-MC2-OB45-90-A100	1.5	900	100	450	3.50

Vertical bends in 90°, 60°, 45°, 30° are available on request.
 90° vertical bend is supplied in standard unless the angle specified when ordering.

90°, 60°, 45°, 30° dönüşler mevcuttur.

Bağka ölçü belirtilmedikçe standart 90° teslim edilir.

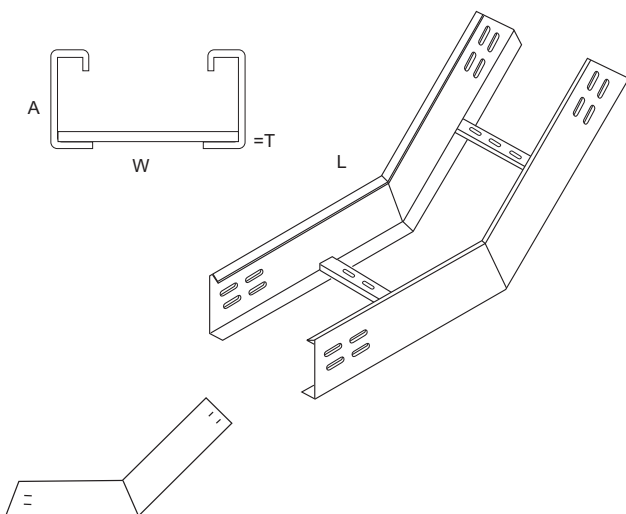
Угловые элементы могут быть изготовлены 90, 60, 45, 30.
 Стандартный размер 90, кроме случаев оговорённых при заказе.

GE-MC2-IB45-A100

45° vertical bend, inside

45° iç bükey elemanı

Внутренний угловой элемент 45°



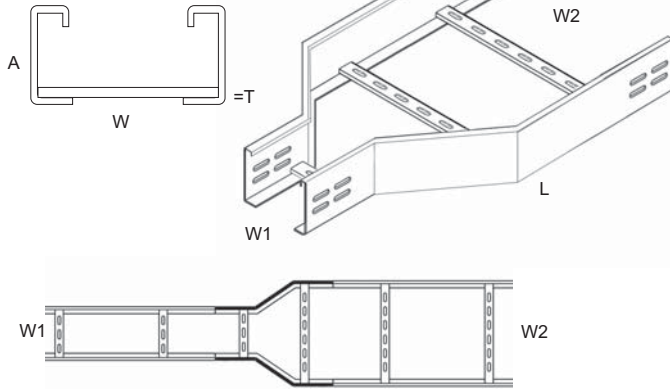
Part No	T	W	A	L	Kg
GE-MC2-IB45-10-A100	1.5	100	100	450	1.85
GE-MC2-IB45-15-A100	1.5	150	100	450	1.95
GE-MC2-IB45-20-A100	1.5	200	100	450	2.05
GE-MC2-IB45-25-A100	1.5	250	100	450	2.15
GE-MC2-IB45-30-A100	1.5	300	100	450	2.25
GE-MC2-IB45-40-A100	1.5	400	100	450	2.45
GE-MC2-IB45-45-A100	1.5	450	100	450	2.55
GE-MC2-IB45-50-A100	1.5	500	100	450	2.65
GE-MC2-IB45-60-A100	1.5	600	100	450	2.85
GE-MC2-IB45-75-A100	1.5	750	100	450	3.10
GE-MC2-IB45-90-A100	1.5	900	100	450	3.50

Material options: Stainless steel AISI 304 (L) (A2) / AISI 316 (L) (A4), ST-37-42 Mild Steel, Corten A, Pregalvanized steel, Aluminum
 Finish options : Hot Dip Galvanized to EN 1461, Electrogalvanized to TS 149, Electrostatic Paint Coated, Prime coated
 See material & finish option charts for available product specific selections.

Cable Ladders

100

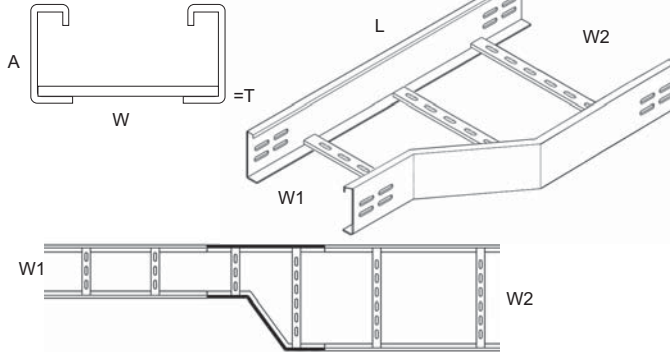
GE-MC2-R-A100
 Straight reducer
 Redüksiyon
 Редукции



Part No	T	W1 - W2	A	L	Kg
GE-MC2-R-10-20-A100	1.5	100 - 200	100	300	2.05
GE-MC2-R-10-30-A100	1.5	100 - 300	100	340	2.25
GE-MC2-R-10-40-A100	1.5	100 - 400	100	400	2.45
GE-MC2-R-10-50-A100	1.5	100 - 500	100	440	2.65
GE-MC2-R-10-60-A100	1.5	100 - 600	100	490	2.85
GE-MC2-R-10-75-A100	1.5	100 - 750	100	560	3.10
GE-MC2-R-10-90-A100	1.5	100 - 900	100	650	3.50

How to order / Kodlama / **Как написать при заказе**
 GE-MC1 R 100 200 A100 HDG
 (Series + Product + Width1 + Width2 + Height + Finish)

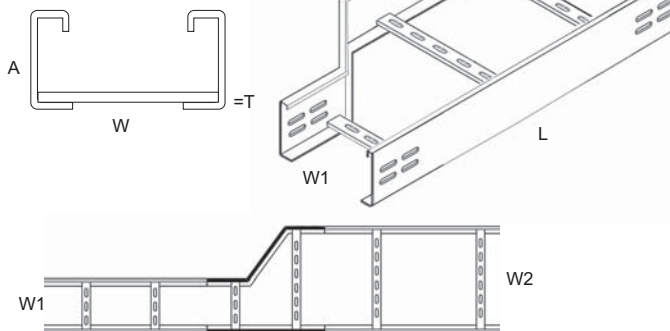
GE-MC2-RL-A100
 Left reducer
 Sola redüksiyon
 Редукции



Part No	T	W1 - W2	A	L	Kg
GE-MC2-RL-10-20-A100	1.5	100 - 200	100	300	2.05
GE-MC2-RL-10-30-A100	1.5	100 - 300	100	340	2.25
GE-MC2-RL-10-40-A100	1.5	100 - 400	100	400	2.45
GE-MC2-RL-10-50-A100	1.5	100 - 500	100	440	2.65
GE-MC2-RL-10-60-A100	1.5	100 - 600	100	490	2.85
GE-MC2-RL-10-75-A100	1.5	100 - 750	100	560	3.10
GE-MC2-RL-10-90-A100	1.5	100 - 900	100	650	3.50

How to order / Kodlama / **Как написать при заказе**
 GE-MC1 RL 100 200 A100 HDG
 (Series + Product + Width1 + Width2 + Height + Finish)

GE-MC2-RR-A100
 Right reducer
 Sağa redüksiyon
 Редукции



Part No	T	W1 - W2	A	L	Kg
GE-MC2-RR-10-20-A100	1.5	100 - 200	100	300	2.05
GE-MC2-RR-10-30-A100	1.5	100 - 300	100	340	2.25
GE-MC2-RR-10-40-A100	1.5	100 - 400	100	400	2.45
GE-MC2-RR-10-50-A100	1.5	100 - 500	100	440	2.65
GE-MC2-RR-10-60-A100	1.5	100 - 600	100	490	2.85
GE-MC2-RR-10-75-A100	1.5	100 - 750	100	560	3.10
GE-MC2-RR-10-90-A100	1.5	100 - 900	100	650	3.50

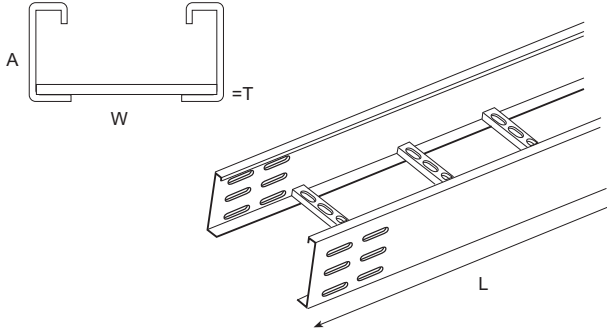
How to order / Kodlama / **Как написать при заказе**
 GE-MC1 RR 100 200 A100 HDG
 (Series + Product + Width1 + Width2 + Height + Finish)

Material options: Stainless steel AISI 304 (L) (A2) / AISI 316 (L) (A4), ST-37-42 Mild Steel, Corten A, Pregalvanized steel, Aluminum
Finish options : Hot Dip Galvanized to EN 1461, Electrogalvanized to TS 149, Electrostatic Paint Coated, Prime coated
See material & finish option charts for available product specific selections.

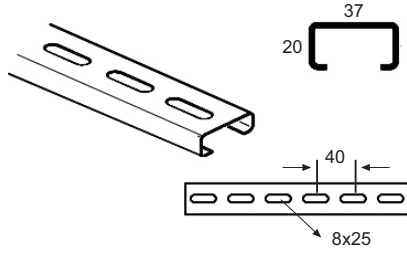
Cable Ladders

125

GE-MC2-A125
Cable ladder, heavy duty
Kablo merdiveni, ağır hizmet
Лестничный лоток



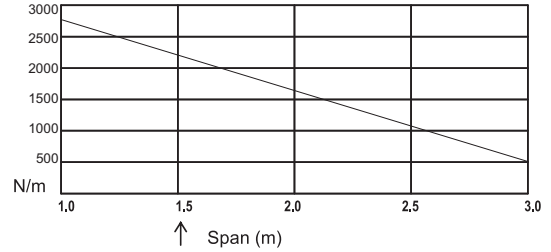
Part No	T	W	A	L	Kg/m
GE-MC2-10-A125	2	100	125	3000	6.10
GE-MC2-15-A125	2	150	125	3000	6.30
GE-MC2-20-A125	2	200	125	3000	6.50
GE-MC2-25-A125	2	250	125	3000	6.70
GE-MC2-30-A125	2	300	125	3000	6.90
GE-MC2-40-A125	2	400	125	3000	7.30
GE-MC2-45-A125	2	450	125	3000	7.50
GE-MC2-50-A125	2	500	125	3000	7.70
GE-MC2-60-A125	2	600	125	3000	8.10
GE-MC2-75-A125	2	750	125	3000	8.70
GE-MC2-90-A125	2	900	125	3000	9.30



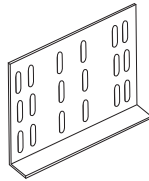
Base holes available upon request.
Ýstek üzerine taban delikleri ile imal edilir.
База доступна дыр по запросу.

SS4 SS6 HDG EG ESB APB AL

Custom production available upon request.
Ýsteğe göre diðer ölçülerde üretim yapılır.
Возможно изготовление продукции на заказ.



GE-EK-125
Splice plate
Ek parçası
Связующий элемент



GE-KC-2
Fixing set
Kanal civata takımı
Комплект винтового соединения



GE-LCN
PVC strip
PVC conta
Резиновые прокладки



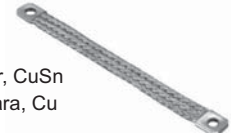
GE-LCND
PVC strip double
PVC conta, çiftli
Резиновые прокладки



GE-SPRAY-1
Zinc spray
Çinko sprej
Spreo cinka



GE-BFEC-4
Flat flexible bar, CuSn
Yassýesnek bara, Cu
İrovoä



Material options: Stainless steel AISI 304 (L) (A2) / AISI 316 (L) (A4), ST-37-42 Mild Steel, Corten A, Pregalvanized steel, Aluminum
 Finish options : Hot Dip Galvanized to EN 1461, Electrogalvanized to TS 149, Electrostatic Paint Coated, Prime coated
 See material & finish option charts for available product specific selections.

Cable Ladders

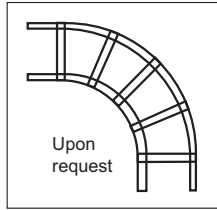
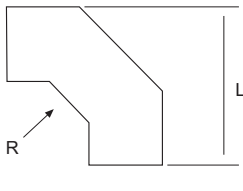
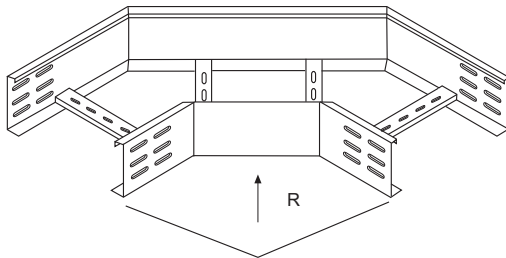
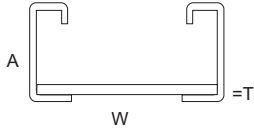
125

GE-MC2-D90-A125

90° flat bend

90° dönüþ elemanı

Секция угловая горизонтальная 90°



Part No	T	W	A	L	Kg
GE-MC2-D90-10-A125	2	100	125	260	2.65
GE-MC2-D90-15-A125	2	150	125	310	3.15
GE-MC2-D90-20-A125	2	200	125	360	3.65
GE-MC2-D90-25-A125	2	250	125	410	4.15
GE-MC2-D90-30-A125	2	300	125	460	4.65
GE-MC2-D90-40-A125	2	400	125	560	5.65
GE-MC2-D90-45-A125	2	450	125	610	6.15
GE-MC2-D90-50-A125	2	500	125	660	6.65
GE-MC2-D90-60-A125	2	600	125	760	7.65
GE-MC2-D90-75-A125	2	750	125	910	9.15
GE-MC2-D90-90-A125	2	900	125	1060	10.65

Vertical bends in 90°, 60°, 45°, 30° are available on request. 90° vertical bend is supplied in standard unless the angle specified when ordering.

90°, 60°, 45°, 30° dönüþler mevcuttur.

Başka ölçü belirtilmedikçe standart 90° teslim edilir.

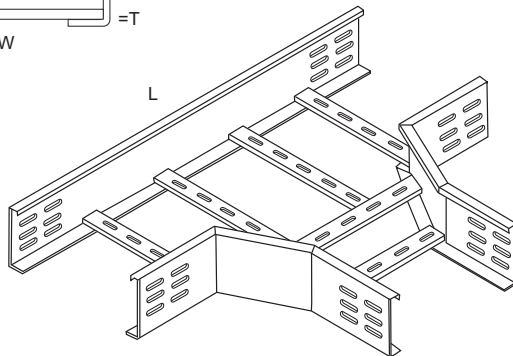
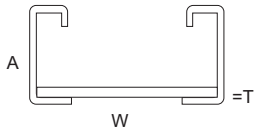
Угловые элементы могут быть изготовлены 90, 60, 45, 30. Стандартный размер 90, кроме случаев оговорённых при заказе.

GE-MC2-T-A125

Tee

T elemanı

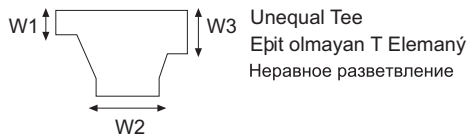
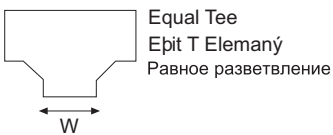
T образное разветвление



Part No	T	W	A	L	Kg
GE-MC2-T-10-A125	2	100	125	420	3.40
GE-MC2-T-15-A125	2	150	125	470	3.80
GE-MC2-T-20-A125	2	200	125	520	4.20
GE-MC2-T-25-A125	2	250	125	570	4.60
GE-MC2-T-30-A125	2	300	125	620	5.00
GE-MC2-T-40-A125	2	400	125	720	5.80
GE-MC2-T-45-A125	2	450	125	770	6.20
GE-MC2-T-50-A125	2	500	125	820	7.00
GE-MC2-T-60-A125	2	600	125	920	8.20
GE-MC2-T-75-A125	2	750	125	1070	10.70
GE-MC2-T-90-A125	2	900	125	1220	12.25

Please specify the widths of unequal tees by drawing. Eþit olmayan T' lerde W ölçülerini sipariþte belirtiniz.

Укажите размеры W неравного T-образного разветвления.



Material options: Stainless steel AISI 304 (L) (A2) / AISI 316 (L) (A4), ST-37-42 Mild Steel, Corten A, Pregalvanized steel, Aluminum
Finish options : Hot Dip Galvanized to EN 1461, Electrogalvanized to TS 149, Electrostatic Paint Coated, Prime coated
See material & finish option charts for available product specific selections.

Cable Ladders

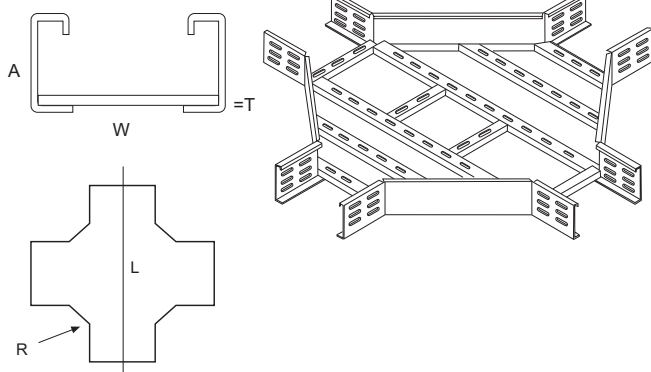
125

GE-MC2-DB-A125

Crossing

Dörtlü BađlantýElemanı

Секция крестообразная



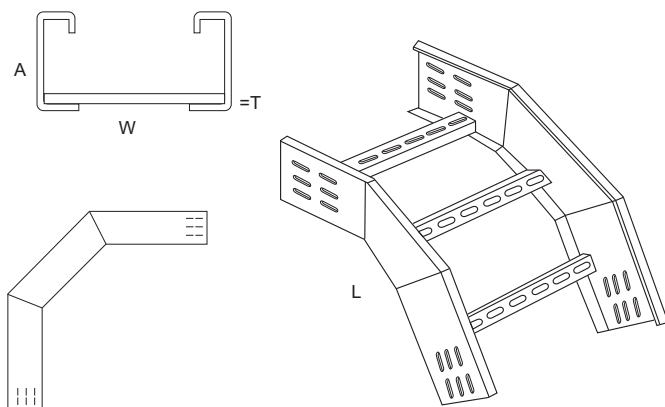
Part No	T	W	A	L	Kg
GE-MC2-DB-10-A125	2	100	125	420	4.80
GE-MC2-DB-15-A125	2	150	125	470	5.20
GE-MC2-DB-20-A125	2	200	125	520	5.60
GE-MC2-DB-25-A125	2	250	125	570	6.00
GE-MC2-DB-30-A125	2	300	125	620	6.40
GE-MC2-DB-40-A125	2	400	125	720	6.80
GE-MC2-DB-45-A125	2	450	125	770	7.20
GE-MC2-DB-50-A125	2	500	125	820	7.60
GE-MC2-DB-60-A125	2	600	125	920	8.00
GE-MC2-DB-75-A125	2	750	125	1070	12.70
GE-MC2-DB-90-A125	2	900	125	1220	14.50

GE-MC2-OB90-A125

90° vertical bend, outside

90° dış bükey elemanı

Внешний угловой элемент 90°



Part No	T	W	A	L	Kg
GE-MC2-OB90-10-A125	2	100	125	540	5.00
GE-MC2-OB90-15-A125	2	150	125	540	5.20
GE-MC2-OB90-20-A125	2	200	125	540	5.40
GE-MC2-OB90-25-A125	2	250	125	540	5.60
GE-MC2-OB90-30-A125	2	300	125	540	5.80
GE-MC2-OB90-40-A125	2	400	125	540	6.20
GE-MC2-OB90-45-A125	2	450	125	540	6.40
GE-MC2-OB90-50-A125	2	500	125	540	6.60
GE-MC2-OB90-60-A125	2	600	125	540	7.00
GE-MC2-OB90-75-A125	2	750	125	540	7.60
GE-MC2-OB90-90-A125	2	900	125	540	8.20

Vertical bends in 90°, 60°, 45°, 30° are available on request.
90° vertical bend is supplied in standard unless the angle specified when ordering.

90°, 60°, 45°, 30° dönüpler mevcuttur.

Başka ölçü belirtilmedikçe standart 90° teslim edilir.

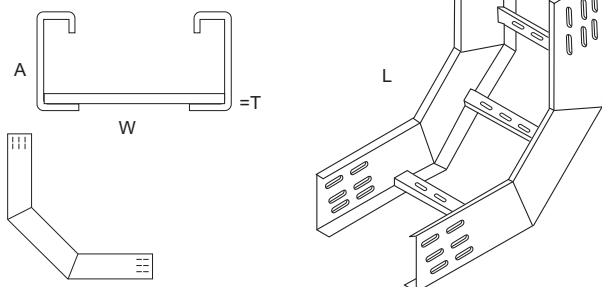
Угловые элементы могут быть изготовлены 90, 60, 45, 30.
Стандартный размер 90, кроме случаев оговорённых при заказе.

GE-MC2-IB90-A125

90° vertical bend, inside

90° iç bükey elemanı

Внутренний угловой элемент 90°



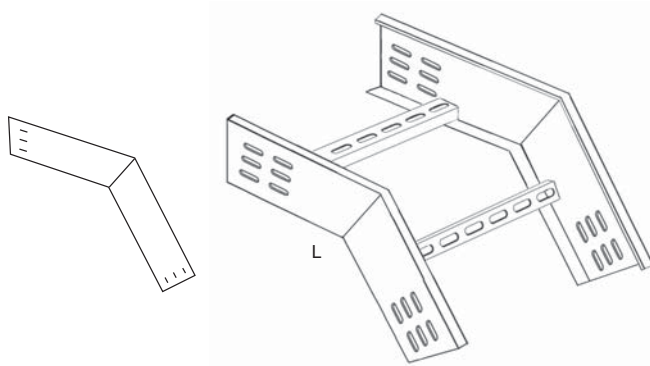
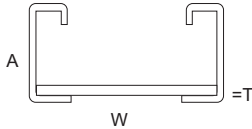
Part No	T	W	A	L	Kg
GE-MC2-IB90-10-A125	2	100	125	540	5.00
GE-MC2-IB90-15-A125	2	150	125	540	5.20
GE-MC2-IB90-20-A125	2	200	125	540	5.40
GE-MC2-IB90-25-A125	2	250	125	540	5.60
GE-MC2-IB90-30-A125	2	300	125	540	5.80
GE-MC2-IB90-40-A125	2	400	125	540	6.20
GE-MC2-IB90-45-A125	2	450	125	540	6.40
GE-MC2-IB90-50-A125	2	500	125	540	6.60
GE-MC2-IB90-60-A125	2	600	125	540	7.00
GE-MC2-IB90-75-A125	2	750	125	540	7.60
GE-MC2-IB90-90-A125	2	900	125	540	8.20

Material options: Stainless steel AISI 304 (L) (A2) / AISI 316 (L) (A4), ST-37-42 Mild Steel, Corten A, Pregalvanized steel, Aluminum
 Finish options : Hot Dip Galvanized to EN 1461, Electrogalvanized to TS 149, Electrostatic Paint Coated, Prime coated
 See material & finish option charts for available product specific selections.

Cable Ladders

125

GE-MC2-OB45-A125
 45° vertical bend, outside
 45° dış bükey elemanı
 Внешний угловой элемент 45°



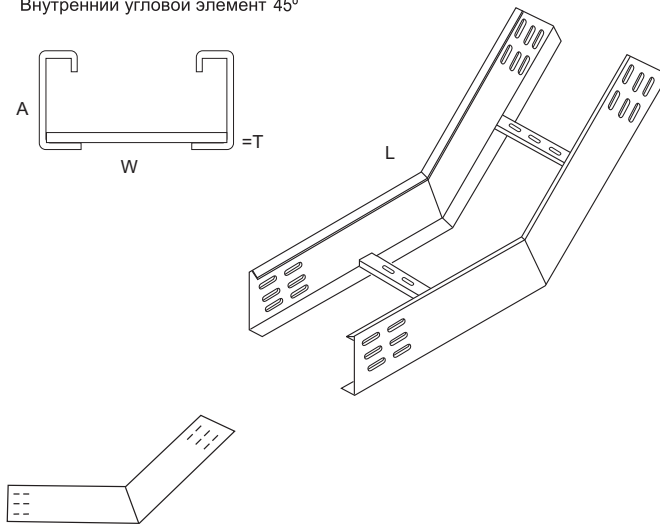
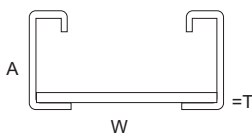
Part No	T	W	A	L	Kg
GE-MC2-OB45-10-A125	2	100	125	450	2.85
GE-MC2-OB45-15-A125	2	150	125	450	3.00
GE-MC2-OB45-20-A125	2	200	125	450	3.15
GE-MC2-OB45-25-A125	2	250	125	450	3.30
GE-MC2-OB45-30-A125	2	300	125	450	3.45
GE-MC2-OB45-40-A125	2	400	125	450	3.75
GE-MC2-OB45-45-A125	2	450	125	450	3.90
GE-MC2-OB45-50-A125	2	500	125	450	4.05
GE-MC2-OB45-60-A125	2	600	125	450	4.35
GE-MC2-OB45-75-A125	2	750	125	450	4.80
GE-MC2-OB45-90-A125	2	900	125	450	5.25

Vertical bends in 90°, 60°, 45°, 30° are available on request.
 90° vertical bend is supplied in standard unless the angle specified when ordering.

90°, 60°, 45°, 30° dönüpler mevcuttur.
 Başka ölçü belirtilmedikçe standart 90° teslim edilir.

Угловые элементы могут быть изготовлены 90, 60, 45, 30.
 Стандартный размер 90, кроме случаев оговорённых при заказе.

GE-MC2-IB45-A125
 45° vertical bend, inside
 45° iç bükey elemanı
 Внутренний угловой элемент 45°

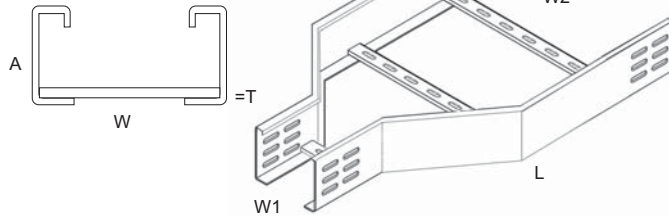


Part No	T	W	A	L	Kg
GE-MC2-IB45-10-A125	2	100	125	450	2.85
GE-MC2-IB45-15-A125	2	150	125	450	3.00
GE-MC2-IB45-20-A125	2	200	125	450	3.15
GE-MC2-IB45-25-A125	2	250	125	450	3.30
GE-MC2-IB45-30-A125	2	300	125	450	3.45
GE-MC2-IB45-40-A125	2	400	125	450	3.75
GE-MC2-IB45-45-A125	2	450	125	450	3.90
GE-MC2-IB45-50-A125	2	500	125	450	4.05
GE-MC2-IB45-60-A125	2	600	125	450	4.35
GE-MC2-IB45-75-A125	2	750	125	450	4.80
GE-MC2-IB45-90-A125	2	900	125	450	5.25

Material options: Stainless steel AISI 304 (L) (A2) / AISI 316 (L) (A4), ST-37-42 Mild Steel, Corten A, Pregalvanized steel, Aluminum
 Finish options : Hot Dip Galvanized to EN 1461, Electrogalvanized to TS 149, Electrostatic Paint Coated, Prime coated
 See material & finish option charts for available product specific selections.

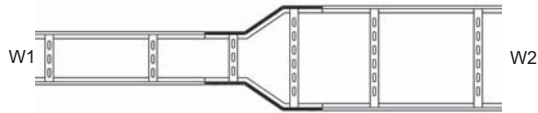
Cable Ladders 125

GE-MC2-R-A125
 Straight reducer
 Redüksiyon
 Редукции

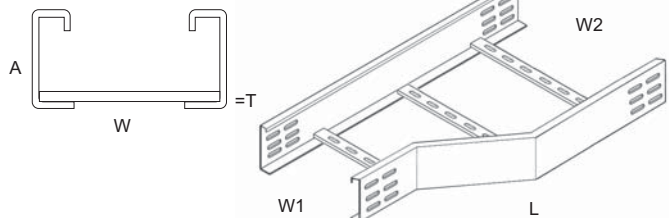


Part No	T	W1 - W2	A	L	Kg
GE-MC2-R-10-20-A125	2	100 - 200	125	300	2.00
GE-MC2-R-10-30-A125	2	100 - 300	125	340	2.40
GE-MC2-R-10-40-A125	2	100 - 400	125	400	2.90
GE-MC2-R-10-50-A125	2	100 - 500	125	440	3.40
GE-MC2-R-10-60-A125	2	100 - 600	125	490	3.95
GE-MC2-R-10-75-A125	2	100 - 750	125	560	4.65
GE-MC2-R-10-90-A125	2	100 - 900	125	650	5.30

How to order / Kodlama / Как написать при заказе
 GE-MC2 R 100 200 A125 HDG
 (Series + Product + Width1 + Width2 + Height + Finish)

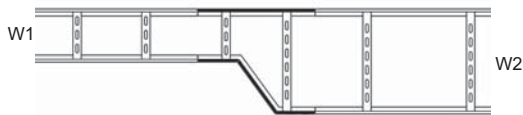


GE-MC2-RL-A125
 Left reducer
 Sola redüksiyon
 Редукции

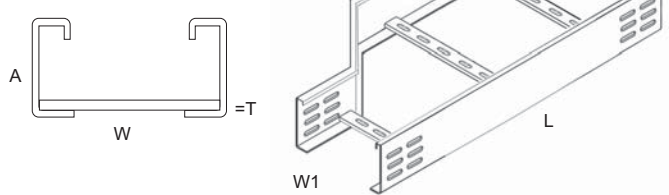


Part No	T	W1 - W2	A	L	Kg
GE-MC2-RL-10-20-A125	2	100 - 200	125	300	2.00
GE-MC2-RL-10-30-A125	2	100 - 300	125	340	2.40
GE-MC2-RL-10-40-A125	2	100 - 400	125	400	2.90
GE-MC2-RL-10-50-A125	2	100 - 500	125	440	3.40
GE-MC2-RL-10-60-A125	2	100 - 600	125	490	3.95
GE-MC2-RL-10-75-A125	2	100 - 750	125	560	4.65
GE-MC2-RL-10-90-A125	2	100 - 900	125	650	5.30

How to order / Kodlama / Как написать при заказе
 GE-MC2 RL 100 200 A125 HDG
 (Series + Product + Width1 + Width2 + Height + Finish)

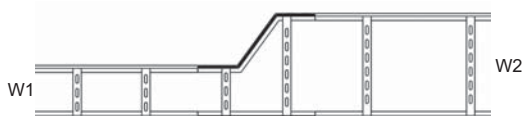


GE-MC2-RR-A125
 Right reducer
 Sağa redüksiyon
 Редукции



Part No	T	W1 - W2	A	L	Kg
GE-MC2-RR-10-20-A125	2	100 - 200	125	300	2.00
GE-MC2-RR-10-30-A125	2	100 - 300	125	340	2.40
GE-MC2-RR-10-40-A125	2	100 - 400	125	400	2.90
GE-MC2-RR-10-50-A125	2	100 - 500	125	440	3.40
GE-MC2-RR-10-60-A125	2	100 - 600	125	490	3.95
GE-MC2-RR-10-75-A125	2	100 - 750	125	560	4.65
GE-MC2-RR-10-90-A125	2	100 - 900	125	650	5.30

How to order / Kodlama / Как написать при заказе
 GE-MC2 RR 100 200 A125 HDG
 (Series + Product + Width1 + Width2 + Height + Finish)

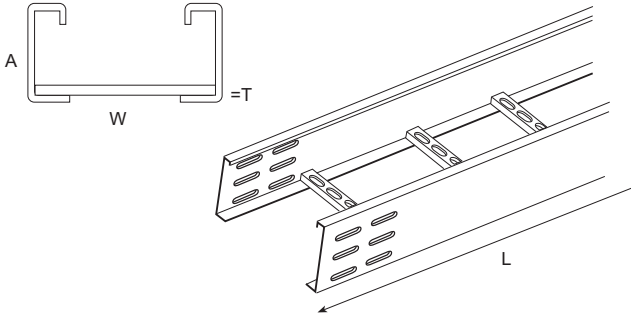


Material options: Stainless steel AISI 304 (L) (A2) / AISI 316 (L) (A4), ST-37-42 Mild Steel, Corten A, Pregalvanized steel, Aluminum
Finish options : Hot Dip Galvanized to EN 1461, Electrogalvanized to TS 149, Electrostatic Paint Coated, Prime coated
See material & finish option charts for available product specific selections.

Cable Ladders

150

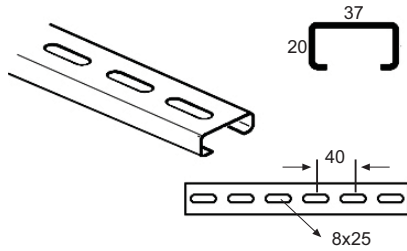
GE-MC2-A150
Cable ladder, heavy duty
Kablo merdiveni, ağır hizmet
Лестничный лоток



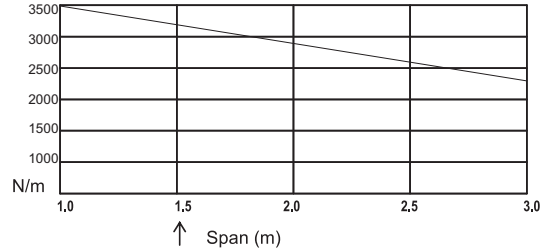
Part No	T	W	A	L	Kg/m
GE-MC2-10-A150	2	100	150	3000	7.10
GE-MC2-15-A150	2	150	150	3000	7.30
GE-MC2-20-A150	2	200	150	3000	7.50
GE-MC2-25-A150	2	250	150	3000	7.70
GE-MC2-30-A150	2	300	150	3000	7.90
GE-MC2-40-A150	2	400	150	3000	8.30
GE-MC2-45-A150	2	450	150	3000	8.50
GE-MC2-50-A150	2	500	150	3000	8.70
GE-MC2-60-A150	2	600	150	3000	9.10
GE-MC2-75-A150	2	750	150	3000	9.70
GE-MC2-90-A150	2	900	150	3000	10.30

SS4 SS6 HDG EG ESB APB AL

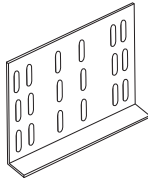
Custom production available upon request.
Ÿsteđe gre diđer ollerde retim yapŸlır.
Возможно изготовление продукции на заказ.



Base holes available upon request.
Ÿstek zerine taban delikleri ile imal edilir.
База доступна дыр по запросу.



GE-EK-150
Splice plate
Ek parası
Связующий элемент



GE-KC-2
Fixing set
Kanal civata takŸmŸ
Комплект винтового соединения



GE-LCN
PVC strip
PVC conta
Резиновые прокладки



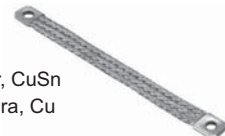
GE-LCND
PVC strip double
PVC conta, iftli
Резиновые прокладки



GE-SPRAY-1
Zinc spray
inko sprej
Spređ cinka



GE-BFEC-4
Flat flexible bar, CuSn
YassŸsnek bara, Cu
İrovađ



Material options: Stainless steel AISI 304 (L) (A2) / AISI 316 (L) (A4), ST-37-42 Mild Steel, Corten A, Pregalvanized steel, Aluminum
 Finish options : Hot Dip Galvanized to EN 1461, Electrogalvanized to TS 149, Electrostatic Paint Coated, Prime coated
 See material & finish option charts for available product specific selections.

Cable Ladders

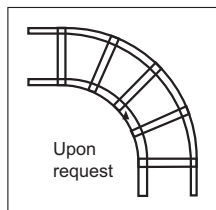
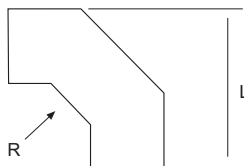
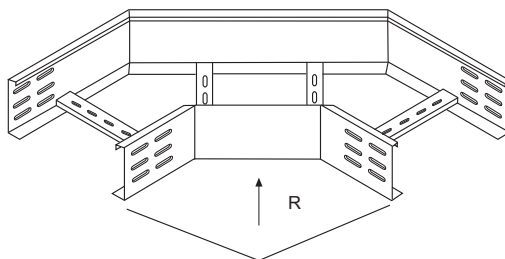
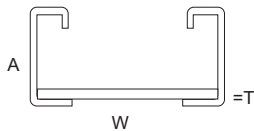
150

GE-MC2-D90-A150

90° flat bend

90° dönüþ elemanı

Секция угловая горизонтальная 90°



Part No	T	W	A	L	Kg
GE-MC2-D90-10-A150	2	100	150	260	2.95
GE-MC2-D90-15-A150	2	150	150	310	3.40
GE-MC2-D90-20-A150	2	200	150	360	3.85
GE-MC2-D90-25-A150	2	250	150	410	4.30
GE-MC2-D90-30-A150	2	300	150	460	4.75
GE-MC2-D90-40-A150	2	400	150	560	5.70
GE-MC2-D90-45-A150	2	450	150	610	6.15
GE-MC2-D90-50-A150	2	500	150	660	6.60
GE-MC2-D90-60-A150	2	600	150	760	7.50
GE-MC2-D90-75-A150	2	750	150	910	8.90
GE-MC2-D90-90-A150	2	900	150	1060	10.20

Vertical bends in 90°, 60°, 45°, 30° are available on request.
 90° vertical bend is supplied in standard unless the angle specified when ordering.

90°, 60°, 45°, 30° dönüþler mevcuttur.

Diðer ölçü belirtilmedikçe standart 90° teslim edilir.

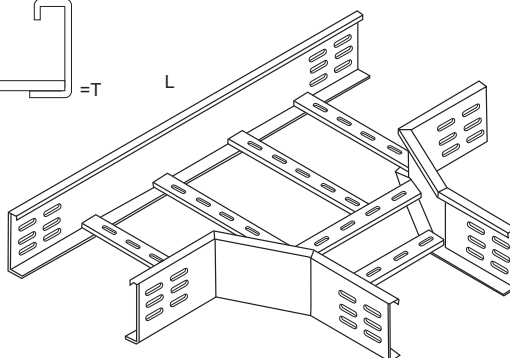
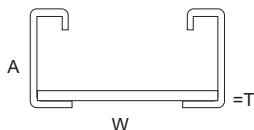
Угловые элементы могут быть изготовлены 90, 60, 45, 30.
 Стандартный размер 90, кроме случаев оговорённых при заказе.

GE-MC2-T-A150

Tee

T elemanı

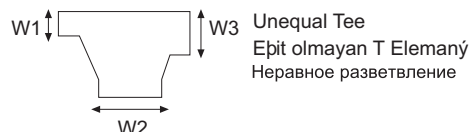
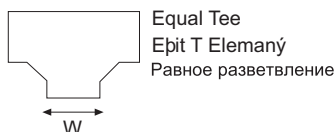
T образное разветвление



Part No	T	W	A	L	Kg
GE-MC2-T-10-A150	2	100	150	420	4.00
GE-MC2-T-15-A150	2	150	150	470	4.35
GE-MC2-T-20-A150	2	200	150	520	4.70
GE-MC2-T-25-A150	2	250	150	570	5.10
GE-MC2-T-30-A150	2	300	150	620	5.90
GE-MC2-T-40-A150	2	400	150	720	6.80
GE-MC2-T-45-A150	2	450	150	770	7.75
GE-MC2-T-50-A150	2	500	150	820	7.90
GE-MC2-T-60-A150	2	600	150	920	9.60
GE-MC2-T-75-A150	2	750	150	1070	11.60
GE-MC2-T-90-A150	2	900	150	1220	12.60

Please specify the widths of unequal tees by drawing.
 Eþit olmayan T' lerde W ölçülerini sipariþte belirtiniz.

Укажите размеры W неравного T-образного разветвления.



Material options: Stainless steel AISI 304 (L) (A2) / AISI 316 (L) (A4), ST-37-42 Mild Steel, Corten A, Pregalvanized steel, Aluminum
 Finish options : Hot Dip Galvanized to EN 1461, Electrogalvanized to TS 149, Electrostatic Paint Coated, Prime coated
 See material & finish option charts for available product specific selections.

Cable Ladders

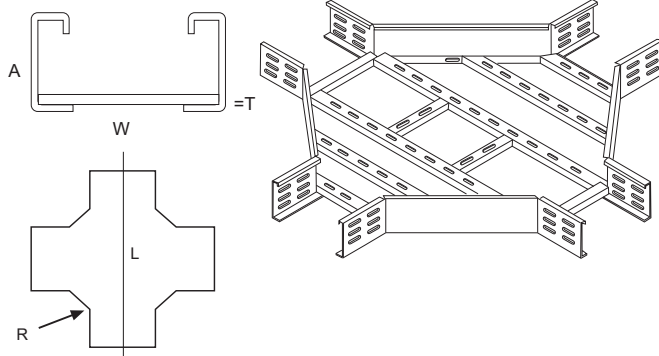
150

GE-MC2-DB-A150

Crossing

Dörtlü BađlantýElemanı

Секция крестообразная



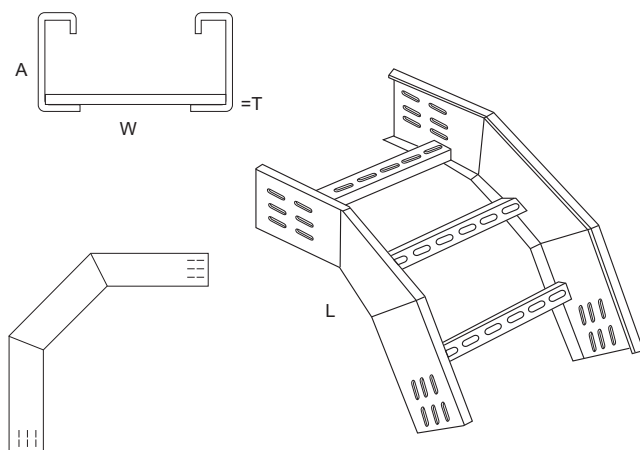
Part No	T	W	A	L	Kg
GE-MC2-DB-10-A150	2	100	150	420	4.75
GE-MC2-DB-15-A150	2	150	150	470	5.10
GE-MC2-DB-20-A150	2	200	150	520	5.45
GE-MC2-DB-25-A150	2	250	150	570	5.80
GE-MC2-DB-30-A150	2	300	150	620	6.15
GE-MC2-DB-40-A150	2	400	150	720	6.85
GE-MC2-DB-45-A150	2	450	150	770	7.20
GE-MC2-DB-50-A150	2	500	150	820	7.60
GE-MC2-DB-60-A150	2	600	150	920	9.10
GE-MC2-DB-75-A150	2	750	150	1070	10.30
GE-MC2-DB-90-A150	2	900	150	1220	11.60

GE-MC2-OB90-A150

90° vertical bend, outside

90° dýb búkey elemanı

Внешний угловой элемент 90°



Part No	T	W	A	L	Kg
GE-MC2-OB90-10-A150	2	100	150	540	5.40
GE-MC2-OB90-15-A150	2	150	150	540	5.60
GE-MC2-OB90-20-A150	2	200	150	540	5.80
GE-MC2-OB90-25-A150	2	250	150	540	6.00
GE-MC2-OB90-30-A150	2	300	150	540	6.20
GE-MC2-OB90-40-A150	2	400	150	540	6.60
GE-MC2-OB90-45-A150	2	450	150	540	6.80
GE-MC2-OB90-50-A150	2	500	150	540	7.00
GE-MC2-OB90-60-A150	2	600	150	540	7.40
GE-MC2-OB90-75-A150	2	750	150	540	8.00
GE-MC2-OB90-90-A150	2	900	150	540	8.60

Vertical bends in 90°, 60°, 45°, 30° are available on request.
 90° vertical bend is supplied in standard unless the angle specified when ordering.

90°, 60°, 45°, 30° dönüþler mevcuttur.

Bařka ölçü belirtilmedikçe standart 90° teslim edilir.

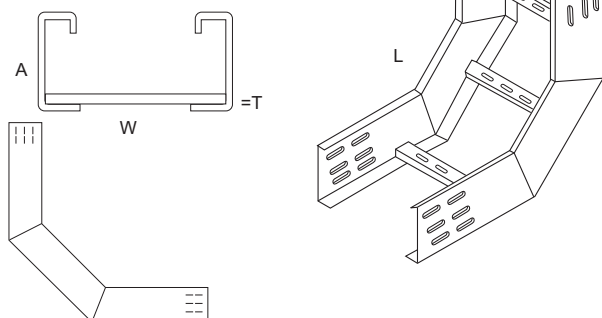
Угловые элементы могут быть изготовлены 90, 60, 45, 30.
 Стандартный размер 90, кроме случаев оговорённых при заказе.

GE-MC2-IB90-A150

90° vertical bend, inside

90° iç búkey elemanı

Внутренний угловой элемент 90°



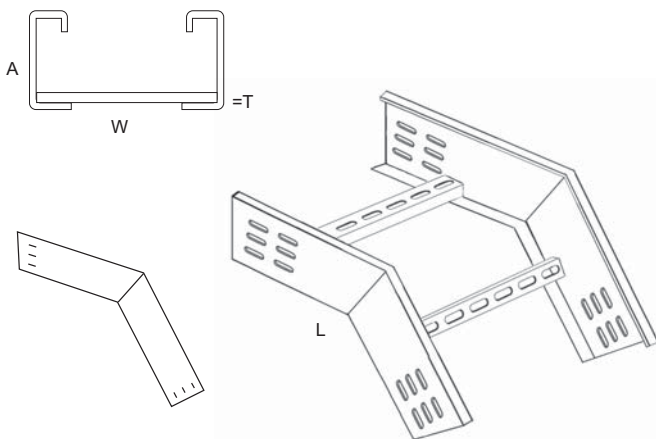
Part No	T	W	A	L	Kg
GE-MC2-IB90-10-A150	2	100	150	540	5.40
GE-MC2-IB90-15-A150	2	150	150	540	5.60
GE-MC2-IB90-20-A150	2	200	150	540	5.80
GE-MC2-IB90-25-A150	2	250	150	540	6.00
GE-MC2-IB90-30-A150	2	300	150	540	6.20
GE-MC2-IB90-40-A150	2	400	150	540	6.60
GE-MC2-IB90-45-A150	2	450	150	540	6.80
GE-MC2-IB90-50-A150	2	500	150	540	7.00
GE-MC2-IB90-60-A150	2	600	150	540	7.40
GE-MC2-IB90-75-A150	2	750	150	540	8.00
GE-MC2-IB90-90-A150	2	900	150	540	8.60

Material options: Stainless steel AISI 304 (L) (A2) / AISI 316 (L) (A4), ST-37-42 Mild Steel, Corten A, Pregalvanized steel, Aluminum
 Finish options : Hot Dip Galvanized to EN 1461, Electrogalvanized to TS 149, Electrostatic Paint Coated, Prime coated
 See material & finish option charts for available product specific selections.

Cable Ladders

150

GE-MC2-OB45-A150
 45° vertical bend, outside
 45° dış bükey elemanı
 Внешний угловой элемент 45°



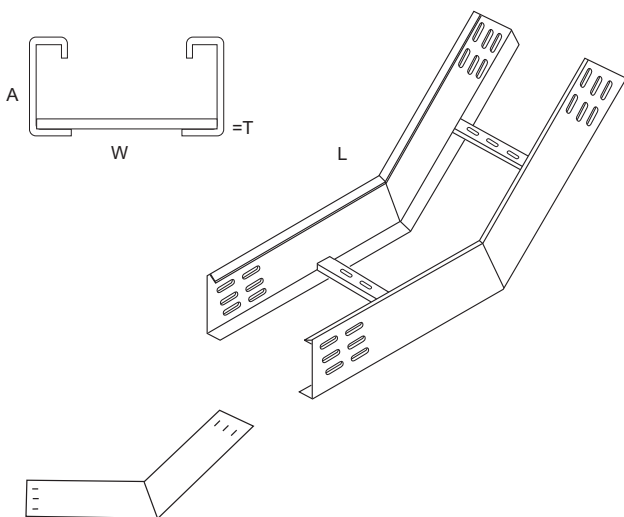
Part No	T	W	A	L	Kg
GE-MC2-OB45-10-A150	2	100	150	450	4.30
GE-MC2-OB45-15-A150	2	150	150	450	4.50
GE-MC2-OB45-20-A150	2	200	150	450	4.70
GE-MC2-OB45-25-A150	2	250	150	450	4.90
GE-MC2-OB45-30-A150	2	300	150	450	5.10
GE-MC2-OB45-40-A150	2	400	150	450	5.50
GE-MC2-OB45-45-A150	2	450	150	450	5.70
GE-MC2-OB45-50-A150	2	500	150	450	5.90
GE-MC2-OB45-60-A150	2	600	150	450	6.30
GE-MC2-OB45-75-A150	2	750	150	450	6.90
GE-MC2-OB45-90-A150	2	900	150	450	7.50

Vertical bends in 90°, 60°, 45°, 30° are available on request.
 90° vertical bend is supplied in standard unless the angle specified when ordering.

90°, 60°, 45°, 30° dönüpler mevcuttur.
 Başka ölçü belirtilmedikçe standart 90° teslim edilir.

Угловые элементы могут быть изготовлены 90, 60, 45, 30.
 Стандартный размер 90, кроме случаев оговорённых при заказе.

GE-MC2-IB45-A150
 45° vertical bend, inside
 45° iç bükey elemanı
 Внутренний угловой элемент 45°



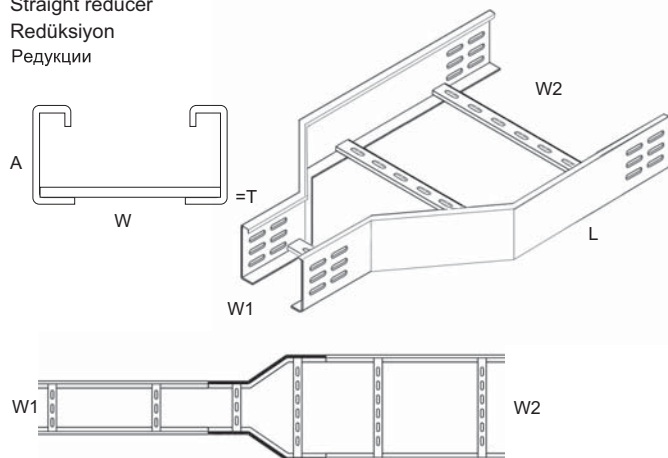
Part No	T	W	A	L	Kg
GE-MC2-IB45-10-A150	2	100	150	450	4.30
GE-MC2-IB45-15-A150	2	150	150	450	4.50
GE-MC2-IB45-20-A150	2	200	150	450	4.70
GE-MC2-IB45-25-A150	2	250	150	450	4.90
GE-MC2-IB45-30-A150	2	300	150	450	5.10
GE-MC2-IB45-40-A150	2	400	150	450	5.50
GE-MC2-IB45-45-A150	2	450	150	450	5.70
GE-MC2-IB45-50-A150	2	500	150	450	5.90
GE-MC2-IB45-60-A150	2	600	150	450	6.30
GE-MC2-IB45-75-A150	2	750	150	450	6.90
GE-MC2-IB45-90-A150	2	900	150	450	7.50

Material options: Stainless steel AISI 304 (L) (A2) / AISI 316 (L) (A4), ST-37-42 Mild Steel, Corten A, Pregalvanized steel, Aluminum
 Finish options : Hot Dip Galvanized to EN 1461, Electrogalvanized to TS 149, Electrostatic Paint Coated, Prime coated
 See material & finish option charts for available product specific selections.

Cable Ladders

150

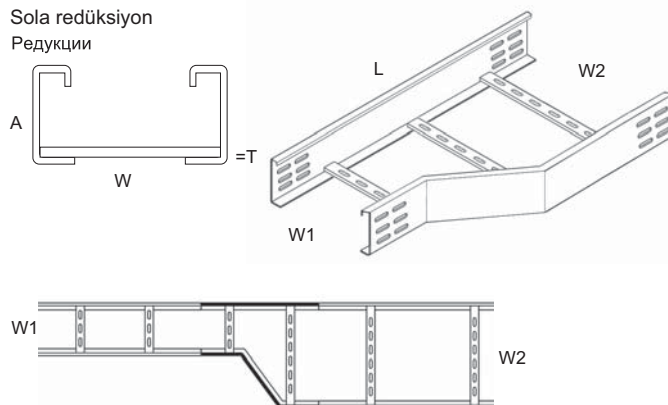
GE-MC2-R-A150
 Straight reducer
 Redüksiyon
 Редукции



Part No	T	W1 - W2	A	L	Kg
GE-MC2-R-10-20-A150	2	100 - 200	150	300	2.90
GE-MC2-R-10-30-A150	2	100 - 300	150	340	3.00
GE-MC2-R-10-40-A150	2	100 - 400	150	400	3.10
GE-MC2-R-10-50-A150	2	100 - 500	150	440	3.20
GE-MC2-R-10-60-A150	2	100 - 600	150	490	3.30
GE-MC2-R-10-75-A150	2	100 - 750	150	560	3.40
GE-MC2-R-10-90-A150	2	100 - 900	150	650	3.50

How to order / Kodlama / Как написать при заказе
 GE-MC2 R 100 200 A150 HDG
 (Series + Product + Width1 + Width2 + Height + Finish)

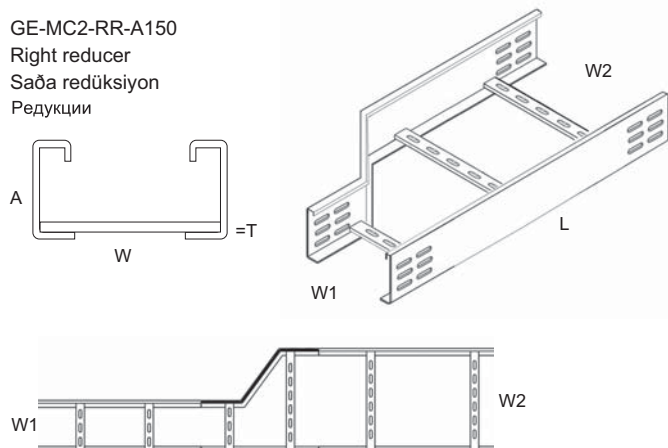
GE-MC2-RL-A150
 Left reducer
 Sola redüksiyon
 Редукции



Part No	T	W1 - W2	A	L	Kg
GE-MC2-RL-10-20-A150	2	100 - 200	150	300	2.90
GE-MC2-RL-10-30-A150	2	100 - 300	150	340	3.00
GE-MC2-RL-10-40-A150	2	100 - 400	150	400	3.10
GE-MC2-RL-10-50-A150	2	100 - 500	150	440	3.20
GE-MC2-RL-10-60-A150	2	100 - 600	150	490	3.30
GE-MC2-RL-10-75-A150	2	100 - 750	150	560	3.40
GE-MC2-RL-10-90-A150	2	100 - 900	150	650	3.50

How to order / Kodlama / Как написать при заказе
 GE-MC2 RL 100 200 A150 HDG
 (Series + Product + Width1 + Width2 + Height + Finish)

GE-MC2-RR-A150
 Right reducer
 Sağa redüksiyon
 Редукции



Part No	T	W1 - W2	A	L	Kg
GE-MC2-RR-10-20-A150	2	100 - 200	150	300	2.90
GE-MC2-RR-10-30-A150	2	100 - 300	150	340	3.00
GE-MC2-RR-10-40-A150	2	100 - 400	150	400	3.10
GE-MC2-RR-10-50-A150	2	100 - 500	150	440	3.20
GE-MC2-RR-10-60-A150	2	100 - 600	150	490	3.30
GE-MC2-RR-10-75-A150	2	100 - 750	150	560	3.40
GE-MC2-RR-10-90-A150	2	100 - 900	150	650	3.50

How to order / Kodlama / Как написать при заказе
 GE-MC2 RR 100 200 A150 HDG
 (Series + Product + Width1 + Width2 + Height + Finish)

Material options: Stainless steel AISI 304 (L) (A2) / AISI 316 (L) (A4), ST-37-42 Mild Steel, Corten A, Pregalvanized steel, Aluminum
Finish options : Hot Dip Galvanized to EN 1461, Electrogalvanized to TS 149, Electrostatic Paint Coated, Prime coated
See material & finish option charts for available product specific selections.

Cable Ladders

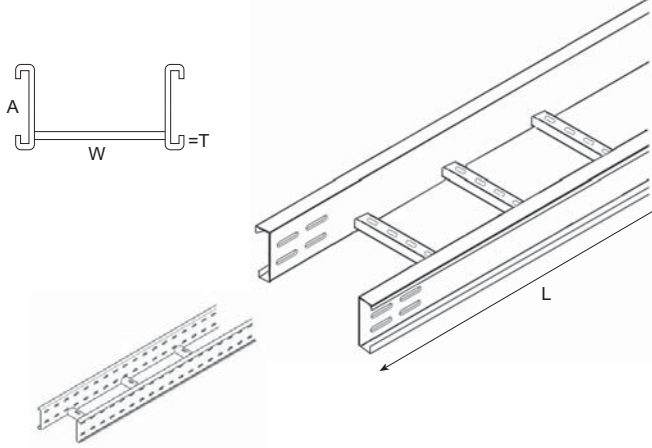
100

GE-MX-A100

Out-flanged cable ladder

Дфа бүкүмлү kablo merdiveni

GE-MX-A100 лестничный лоток



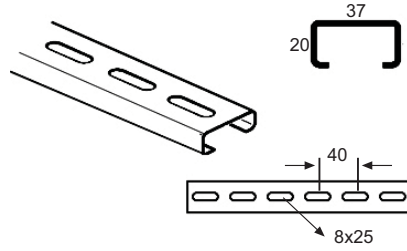
Part No	T	W	A	L	Kg/m
GE-MX-10-A100	2	100	100	3000	5.70
GE-MX-15-A100	2	150	100	3000	5.90
GE-MX-20-A100	2	200	100	3000	6.10
GE-MX-25-A100	2	250	100	3000	6.30
GE-MX-30-A100	2	300	100	3000	6.50
GE-MX-40-A100	2	400	100	3000	6.90
GE-MX-45-A100	2	450	100	3000	7.10
GE-MX-50-A100	2	500	100	3000	7.30
GE-MX-60-A100	2	600	100	3000	7.70
GE-MX-75-A100	2	750	100	3000	8.30
GE-MX-90-A100	2	900	100	3000	8.90

SS4 SS6 HDG EG ESB APB AL

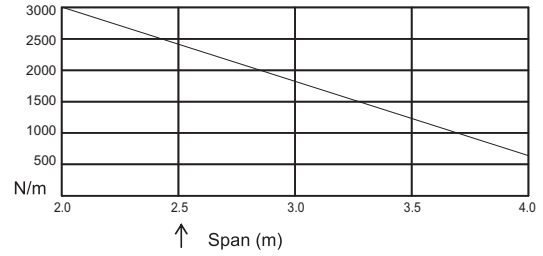
Custom production available upon request.

Ўстеде göre diğer ölçülerde üretim yapılr.

Возможно изготовление продукции на заказ.



Base holes available upon request.
Ўstek üzerine taban delikleri ile imal edilir.
База доступна дыр по запросу.



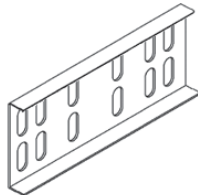
GE-EKX

Coupler

Ek parçası

Связующий элемент

Part No	T	A	Kg
GE-EKX-100	2	100	0.54



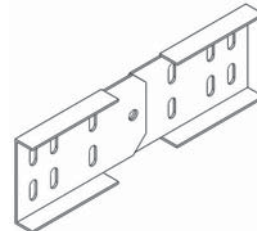
GE-SDX

Hinge plate

Seviye deđiptirme

Регулятор уровня

Part No	Kg
GE-SDX-100	0.74



Material options: Stainless steel AISI 304 (L) (A2) / AISI 316 (L) (A4), ST-37-42 Mild Steel, Corten A, Pregalvanized steel, Aluminum
 Finish options : Hot Dip Galvanized to EN 1461, Electrogalvanized to TS 149, Electrostatic Paint Coated, Prime coated
 See material & finish option charts for available product specific selections.

Cable Ladders

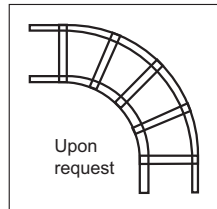
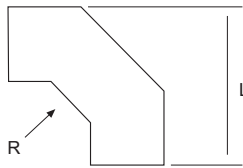
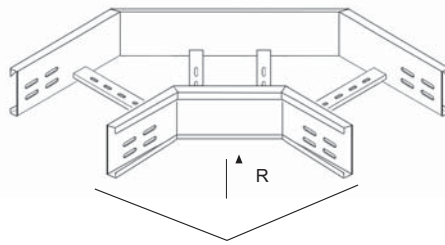
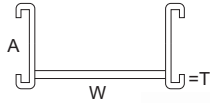
100

GE-MX-D90-A100

90° flat bend

90° dönüþ elemanı

Секция угловая горизонтальная 90°



Part No	T	W	A	L	Kg
GE-MX-D90-10-A100	2	100	100	260	2.50
GE-MX-D90-15-A100	2	150	100	310	2.90
GE-MX-D90-20-A100	2	200	100	360	3.30
GE-MX-D90-25-A100	2	250	100	410	3.80
GE-MX-D90-30-A100	2	300	100	460	4.20
GE-MX-D90-40-A100	2	400	100	560	5.70
GE-MX-D90-45-A100	2	450	100	610	6.10
GE-MX-D90-50-A100	2	500	100	660	6.60
GE-MX-D90-60-A100	2	600	100	760	7.60
GE-MX-D90-75-A100	2	750	100	910	9.10
GE-MX-D90-90-A100	2	900	100	1060	10.70

Vertical bends in 90°, 60°, 45°, 30° are available on request.
 90° vertical bend is supplied in standard unless the angle specified when ordering.

90°, 60°, 45°, 30° dönüþler mevcuttur.

Başka ölçü belirtilmedikçe standart 90° teslim edilir.

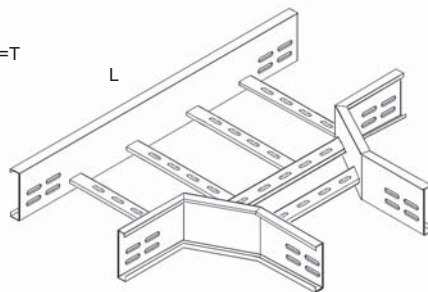
Угловые элементы могут быть изготовлены 90, 60, 45, 30. Стандартный размер 90, кроме случаев оговорённых при заказе.

GE-MX-T-A100

Tee

T elemanı

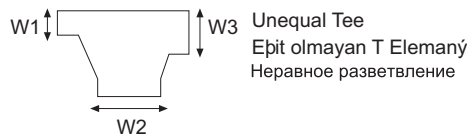
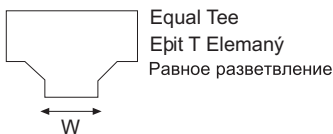
T образное разветвление



Part No	T	W	A	L	Kg
GE-MX-T-10-A100	2	100	100	420	3.20
GE-MX-T-15-A100	2	150	100	470	3.60
GE-MX-T-20-A100	2	200	100	520	4.00
GE-MX-T-25-A100	2	250	100	570	4.40
GE-MX-T-30-A100	2	300	100	620	4.80
GE-MX-T-40-A100	2	400	100	720	5.60
GE-MX-T-45-A100	2	450	100	770	6.00
GE-MX-T-50-A100	2	500	100	820	6.40
GE-MX-T-60-A100	2	600	100	920	8.35
GE-MX-T-75-A100	2	750	100	1070	9.85
GE-MX-T-90-A100	2	900	100	1220	11.35

Please specify the widths of unequal tees by drawing.
 Eþit olmayan T' lerde W ölçülerini sipariþte belirtiniz.

Укажите размеры W неравного T-образного разветвления.

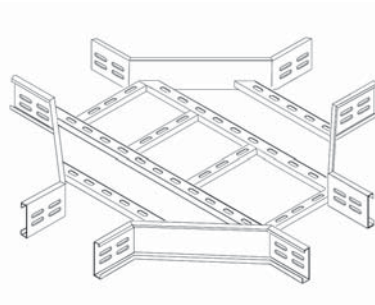
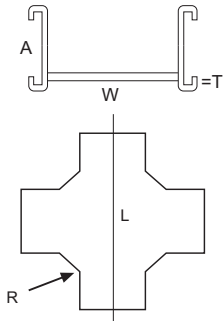


Material options: Stainless steel AISI 304 (L) (A2) / AISI 316 (L) (A4), ST-37-42 Mild Steel, Corten A, Pregalvanized steel, Aluminum
 Finish options : Hot Dip Galvanized to EN 1461, Electrogalvanized to TS 149, Electrostatic Paint Coated, Prime coated
 See material & finish option charts for available product specific selections.

Cable Ladders

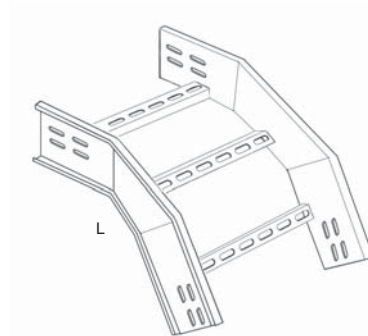
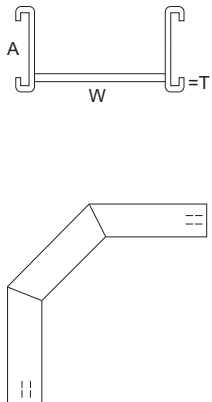
100

GE-MX-DB-A100
 Crossing
 Dörtlü Bağlantı Elemanı
 Секция крестообразная



Part No	T	W	A	L	Kg
GE-MX-DB-10-A100	2	100	100	420	4.10
GE-MX-DB-15-A100	2	150	100	470	4.50
GE-MX-DB-20-A100	2	200	100	520	4.90
GE-MX-DB-25-A100	2	250	100	570	5.30
GE-MX-DB-30-A100	2	300	100	620	5.70
GE-MX-DB-40-A100	2	400	100	720	6.60
GE-MX-DB-45-A100	2	450	100	770	7.00
GE-MX-DB-50-A100	2	500	100	820	7.40
GE-MX-DB-60-A100	2	600	100	920	8.30
GE-MX-DB-75-A100	2	750	100	1070	10.40
GE-MX-DB-90-A100	2	900	100	1220	11.90

GE-MX-OB90-A100
 90° vertical bend, outside
 90° dış bükey elemanı
 Внешний угловой элемент 90°



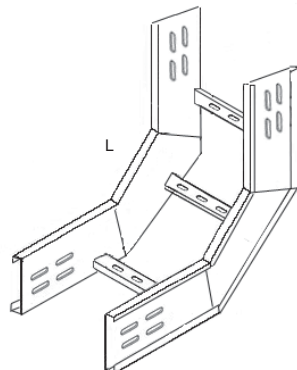
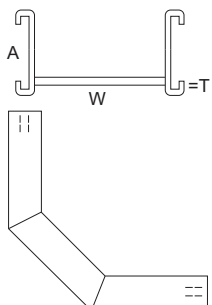
Part No	T	W	A	L	Kg
GE-MX-OB90-10-A100	2	100	100	540	4.40
GE-MX-OB90-15-A100	2	150	100	540	4.60
GE-MX-OB90-20-A100	2	200	100	540	4.80
GE-MX-OB90-25-A100	2	250	100	540	5.00
GE-MX-OB90-30-A100	2	300	100	540	5.20
GE-MX-OB90-40-A100	2	400	100	540	5.60
GE-MX-OB90-45-A100	2	450	100	540	5.80
GE-MX-OB90-50-A100	2	500	100	540	6.00
GE-MX-OB90-60-A100	2	600	100	540	6.40
GE-MX-OB90-75-A100	2	750	100	540	7.00
GE-MX-OB90-90-A100	2	900	100	540	7.60

Vertical bends in 90°, 60°, 45°, 30° are available on request.
 90° vertical bend is supplied in standard unless the angle specified when ordering.

90°, 60°, 45°, 30° dönüşler mevcuttur.
 Başka ölçü belirtilmedikçe standart 90° teslim edilir.

Угловые элементы могут быть изготовлены 90, 60, 45, 30.
 Стандартный размер 90, кроме случаев оговорённых при заказе.

GE-MX-IB90-A100
 90° vertical bend, inside
 90° iç bükey elemanı
 Внутренний угловой элемент 90°



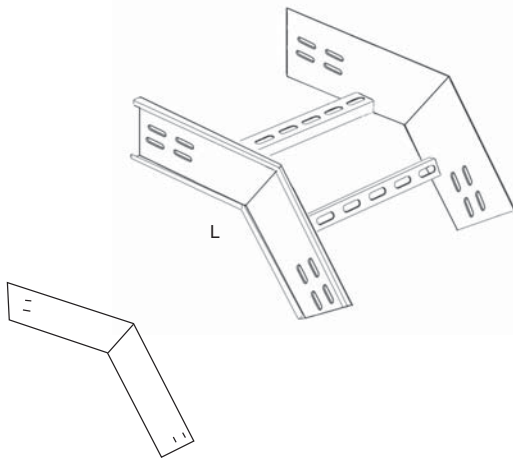
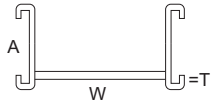
Part No	T	W	A	L	Kg
GE-MX-IB90-10-A100	2	100	100	540	4.40
GE-MX-IB90-15-A100	2	150	100	540	4.60
GE-MX-IB90-20-A100	2	200	100	540	4.80
GE-MX-IB90-25-A100	2	250	100	540	5.00
GE-MX-IB90-30-A100	2	300	100	540	5.20
GE-MX-IB90-40-A100	2	400	100	540	5.60
GE-MX-IB90-45-A100	2	450	100	540	5.80
GE-MX-IB90-50-A100	2	500	100	540	6.00
GE-MX-IB90-60-A100	2	600	100	540	6.40
GE-MX-IB90-75-A100	2	750	100	540	7.00
GE-MX-IB90-90-A100	2	900	100	540	7.60

Material options: Stainless steel AISI 304 (L) (A2) / AISI 316 (L) (A4), ST-37-42 Mild Steel, Corten A, Pregalvanized steel, Aluminum
Finish options : Hot Dip Galvanized to EN 1461, Electrogalvanized to TS 149, Electrostatic Paint Coated, Prime coated
See material & finish option charts for available product specific selections.

Cable Ladders

100

GE-MX-OB45-A100
45° vertical bend, outside
45° dış bükey elemanı
Внешний угловой элемент 45°



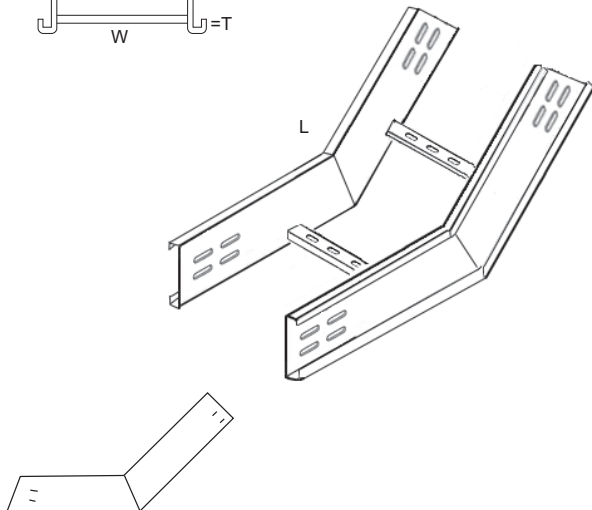
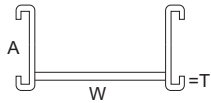
Part No	T	W	A	L	Kg
GE-MX-OB45-10-A100	2	100	100	450	3.50
GE-MX-OB45-15-A100	2	150	100	450	3.60
GE-MX-OB45-20-A100	2	200	100	450	3.70
GE-MX-OB45-25-A100	2	250	100	450	3.80
GE-MX-OB45-30-A100	2	300	100	450	3.90
GE-MX-OB45-40-A100	2	400	100	450	4.10
GE-MX-OB45-45-A100	2	450	100	450	4.20
GE-MX-OB45-50-A100	2	500	100	450	4.30
GE-MX-OB45-60-A100	2	600	100	450	4.50
GE-MX-OB45-75-A100	2	750	100	450	4.80
GE-MX-OB45-90-A100	2	900	100	450	5.10

Vertical bends in 90°, 60°, 45°, 30° are available on request.
90° vertical bend is supplied in standard unless the angle specified when ordering.

90°, 60°, 45°, 30° dönüpler mevcuttur.
Başka ölçü belirtilmedikçe standart 90° teslim edilir.

Угловые элементы могут быть изготовлены 90, 60, 45, 30.
Стандартный размер 90, кроме случаев оговорённых при заказе.

GE-MX-IB45-A100
45° vertical bend, inside
45° iç bükey elemanı
Внутренний угловой элемент 45°

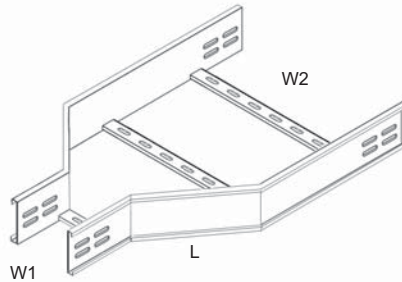
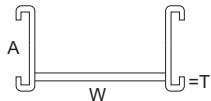


Part No	T	W	A	L	Kg
GE-MX-IB45-10-A100	2	100	100	450	3.50
GE-MX-IB45-15-A100	2	150	100	450	3.60
GE-MX-IB45-20-A100	2	200	100	450	3.70
GE-MX-IB45-25-A100	2	250	100	450	3.80
GE-MX-IB45-30-A100	2	300	100	450	3.90
GE-MX-IB45-40-A100	2	400	100	450	4.10
GE-MX-IB45-45-A100	2	450	100	450	4.20
GE-MX-IB45-50-A100	2	500	100	450	4.30
GE-MX-IB45-60-A100	2	600	100	450	4.50
GE-MX-IB45-75-A100	2	750	100	450	4.80
GE-MX-IB45-90-A100	2	900	100	450	5.10

Material options: Stainless steel AISI 304 (L) (A2) / AISI 316 (L) (A4), ST-37-42 Mild Steel, Corten A, Pregalvanized steel, Aluminum
 Finish options : Hot Dip Galvanized to EN 1461, Electrogalvanized to TS 149, Electrostatic Paint Coated, Prime coated
 See material & finish option charts for available product specific selections.

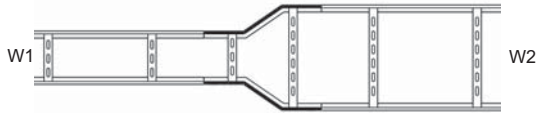
Cable Ladders 100

GE-MX-R-A100
 Reducer
 Redüksiyon
 Редукции

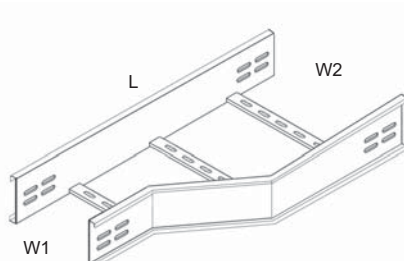
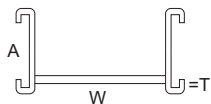


Part No	T	W1 - W2	A	L	Kg
GE-MX-R-10-20-A100	2	100 - 200	100	300	2.80
GE-MX-R-10-30-A100	2	100 - 300	100	340	3.20
GE-MX-R-10-40-A100	2	100 - 400	100	400	3.60
GE-MX-R-10-50-A100	2	100 - 500	100	440	4.00
GE-MX-R-10-60-A100	2	100 - 600	100	490	4.40
GE-MX-R-10-75-A100	2	100 - 750	100	560	5.00
GE-MX-R-10-90-A100	2	100 - 900	100	650	5.60

How to order / Kodlama / Как написать при заказе
 GE-MX R 100 200 A100 HDG
 (Series + Product + Width1 + Width2 + Height + Finish)

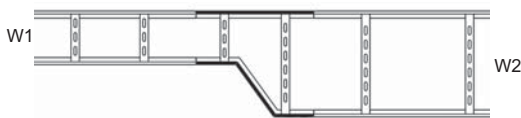


GE-MX-RL-A100
 Left reducer
 Sola redüksiyon
 Редукции

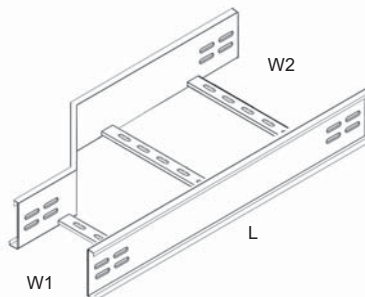
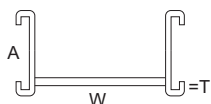


Part No	T	W1 - W2	A	L	Kg
GE-MX-RL-10-20-A100	2	100 - 200	100	300	2.80
GE-MX-RL-10-30-A100	2	100 - 300	100	340	3.20
GE-MX-RL-10-40-A100	2	100 - 400	100	400	3.60
GE-MX-RL-10-50-A100	2	100 - 500	100	440	4.00
GE-MX-RL-10-60-A100	2	100 - 600	100	490	4.40
GE-MX-RL-10-75-A100	2	100 - 750	100	560	5.00
GE-MX-RL-10-90-A100	2	100 - 900	100	650	5.60

How to order / Kodlama / Как написать при заказе
 GE-MX RL 100 200 A100 HDG
 (Series + Product + Width1 + Width2 + Height + Finish)

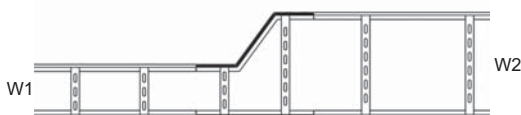


GE-MX-RR-A100
 Right reducer
 Sağa redüksiyon
 Редукции



Part No	T	W1 - W2	A	L	Kg
GE-MX-RR-10-20-A100	2	100 - 200	100	300	2.80
GE-MX-RR-10-30-A100	2	100 - 300	100	340	3.20
GE-MX-RR-10-40-A100	2	100 - 400	100	400	3.60
GE-MX-RR-10-50-A100	2	100 - 500	100	440	4.00
GE-MX-RR-10-60-A100	2	100 - 600	100	490	4.40
GE-MX-RR-10-75-A100	2	100 - 750	100	560	5.00
GE-MX-RR-10-90-A100	2	100 - 900	100	650	5.60

How to order / Kodlama / Как написать при заказе
 GE-MX RR 100 200 A100 HDG
 (Series + Product + Width1 + Width2 + Height + Finish)



Material options: Stainless steel AISI 304 (L) (A2) / AISI 316 (L) (A4), ST-37-42 Mild Steel, Corten A, Pregalvanized steel, Aluminum
Finish options : Hot Dip Galvanized to EN 1461, Electrogalvanized to TS 149, Electrostatic Paint Coated, Prime coated
See material & finish option charts for available product specific selections.

Cable Ladders

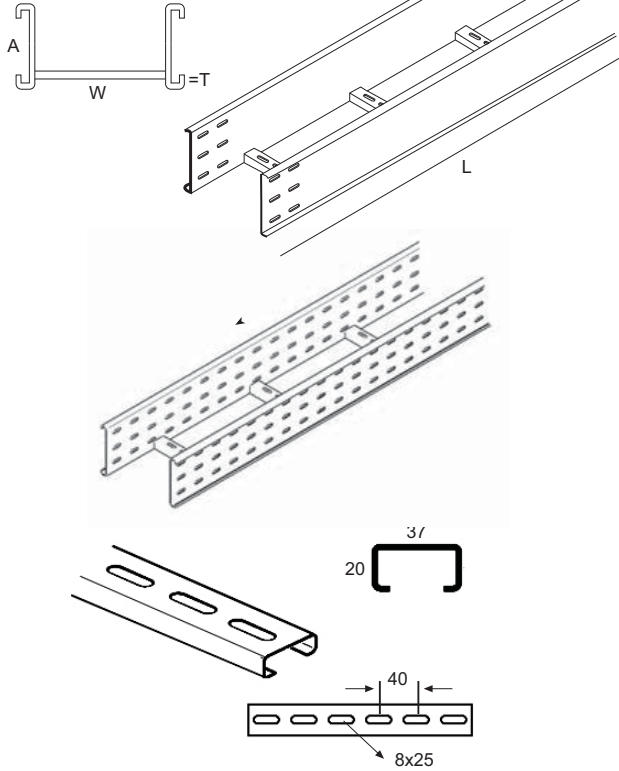
125

GE-MX-A125

Cable ladder, out-flanged

Kablo merdiveni, dışa bükümlü

GE-MX-A125 лестничный лоток

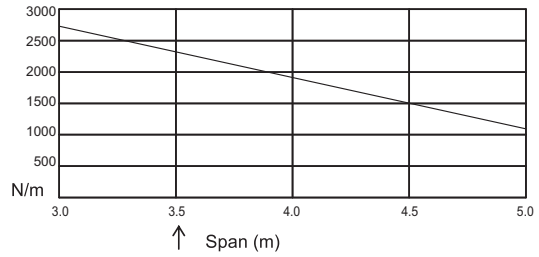


Base holes available upon request.
Üstek üzerine taban delikleri ile imal edilir.
База доступна дыр по запросу.

Part No	T	W	A	L	Kg/m
GE-MX-10-A125	2	100	125	3000	6.00
GE-MX-15-A125	2	150	125	3000	6.20
GE-MX-20-A125	2	200	125	3000	6.40
GE-MX-25-A125	2	250	125	3000	6.60
GE-MX-30-A125	2	300	125	3000	6.80
GE-MX-40-A125	2	400	125	3000	7.20
GE-MX-45-A125	2	450	125	3000	7.40
GE-MX-50-A125	2	500	125	3000	7.60
GE-MX-60-A125	2	600	125	3000	8.00
GE-MX-75-A125	2	750	125	3000	8.60
GE-MX-90-A125	2	900	125	3000	9.20

SS4 SS6 HDG EG ESB APB AL

Custom production available upon request.
Üstede göre diğer ölçülerde üretim yapılır.
Возможно изготовление продукции на заказ.



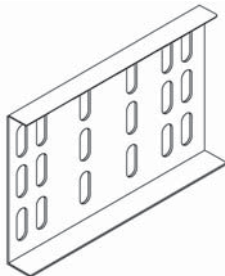
GE-EKX

Coupler

Ek parçası

Связующий элемент

Part No	T	A	Kg
GE-EK-125	2	125	0.62



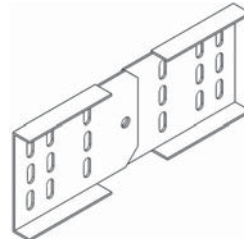
GE-SDX

Hinge plate

Seviye dedirtirme

Регулятор уровня

Part No	Kg
GE-SDX-125	0.85



Material options: Stainless steel AISI 304 (L) (A2) / AISI 316 (L) (A4), ST-37-42 Mild Steel, Corten A, Pregalvanized steel, Aluminum
 Finish options : Hot Dip Galvanized to EN 1461, Electrogalvanized to TS 149, Electrostatic Paint Coated, Prime coated
 See material & finish option charts for available product specific selections.

Cable Ladders

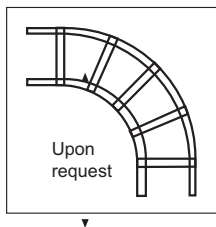
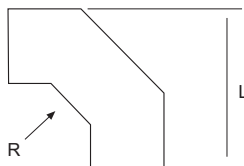
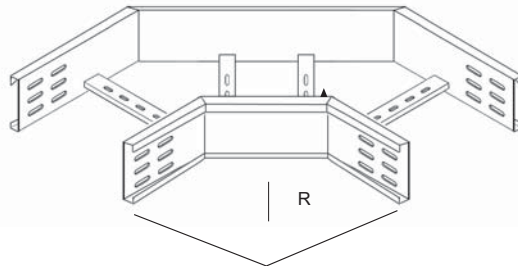
125

GE-MX-D90-A125

90° flat bend

90° dönüþ elemanı

Секция угловая горизонтальная 90°



Part No	T	W	A	L	Kg
GE-MX-D90-10-A125	2	100	125	260	2.90
GE-MX-D90-15-A125	2	150	125	310	3.40
GE-MX-D90-20-A125	2	200	125	360	3.90
GE-MX-D90-25-A125	2	250	125	410	4.40
GE-MX-D90-30-A125	2	300	125	460	4.90
GE-MX-D90-40-A125	2	400	125	560	5.90
GE-MX-D90-45-A125	2	450	125	610	6.40
GE-MX-D90-50-A125	2	500	125	660	7.40
GE-MX-D90-60-A125	2	600	125	760	8.50
GE-MX-D90-75-A125	2	750	125	910	10.10
GE-MX-D90-90-A125	2	900	125	1060	11.70

Vertical bends in 90°, 60°, 45°, 30° are available on request. 90° vertical bend is supplied in standard unless the angle specified when ordering.

90°, 60°, 45°, 30° dönüþler mevcuttur.

Başka ölçü belirtilmedikçe standart 90° teslim edilir.

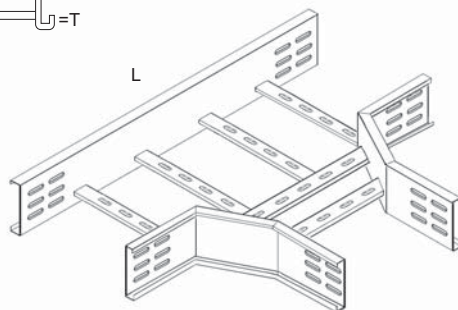
Угловые элементы могут быть изготовлены 90, 60, 45, 30. Стандартный размер 90, кроме случаев оговорённых при заказе.

GE-MX-T-A125

Tee

T elemanı

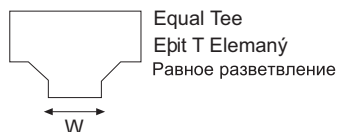
T образное разветвление



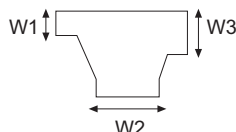
Part No	T	W	A	L	Kg
GE-MX-T-10-A125	2	100	125	420	3.70
GE-MX-T-15-A125	2	150	125	470	4.10
GE-MX-T-20-A125	2	200	125	520	4.50
GE-MX-T-25-A125	2	250	125	570	4.90
GE-MX-T-30-A125	2	300	125	620	5.30
GE-MX-T-40-A125	2	400	125	720	6.10
GE-MX-T-45-A125	2	450	125	770	6.50
GE-MX-T-50-A125	2	500	125	820	7.40
GE-MX-T-60-A125	2	600	125	920	8.30
GE-MX-T-75-A125	2	750	125	1070	10.60
GE-MX-T-90-A125	2	900	125	1220	12.20

Please specify the widths of unequal tees by drawing. Eþit olmayan T' lerde W ölçülerini sipariþte belirtiniz.

Укажите размеры W неравного T-образного разветвления.



Equal Tee
Eþit T Elemanı
Равное разветвление



Unequal Tee
Eþit olmayan T Elemanı
Неравное разветвление

Material options: Stainless steel AISI 304 (L) (A2) / AISI 316 (L) (A4), ST-37-42 Mild Steel, Corten A, Pregalvanized steel, Aluminum
 Finish options : Hot Dip Galvanized to EN 1461, Electrogalvanized to TS 149, Electrostatic Paint Coated, Prime coated
 See material & finish option charts for available product specific selections.

Cable Ladders

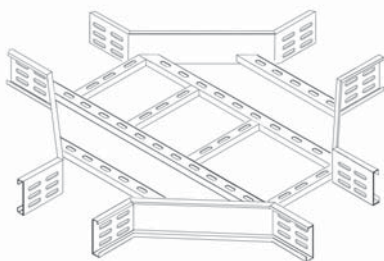
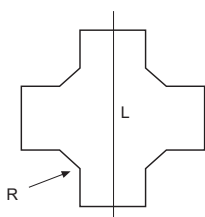
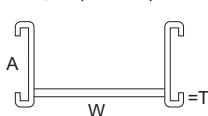
125

GE-MX-DB-A125

Crossing

Dörtlü Bağlantı Elemanı

Секция крестообразная



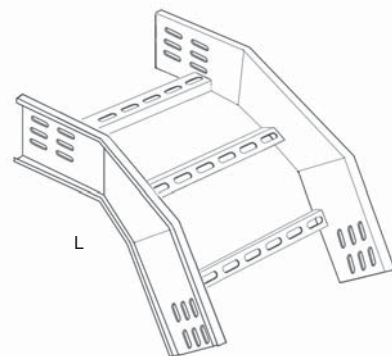
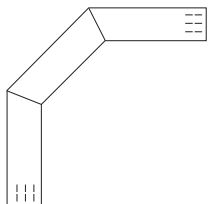
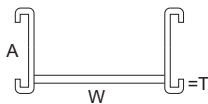
Part No	T	W	A	L	Kg
GE-MX-DB-10-A125	2	100	125	420	4.60
GE-MX-DB-15-A125	2	150	125	470	5.10
GE-MX-DB-20-A125	2	200	125	520	5.70
GE-MX-DB-25-A125	2	250	125	570	6.30
GE-MX-DB-30-A125	2	300	125	620	6.80
GE-MX-DB-40-A125	2	400	125	720	7.80
GE-MX-DB-45-A125	2	450	125	770	8.30
GE-MX-DB-50-A125	2	500	125	820	8.80
GE-MX-DB-60-A125	2	600	125	920	9.80
GE-MX-DB-75-A125	2	750	125	1070	11.30
GE-MX-DB-90-A125	2	900	125	1220	12.80

GE-MX-OB90-A125

90° vertical bend, outside

90° dış bükey elemanı

Внешний угловой элемент 90°



Part No	T	W	A	L	Kg
GE-MX-OB90-10-A125	2	100	125	540	5.00
GE-MX-OB90-15-A125	2	150	125	540	5.20
GE-MX-OB90-20-A125	2	200	125	540	5.40
GE-MX-OB90-25-A125	2	250	125	540	5.60
GE-MX-OB90-30-A125	2	300	125	540	5.80
GE-MX-OB90-40-A125	2	400	125	540	6.10
GE-MX-OB90-45-A125	2	450	125	540	6.30
GE-MX-OB90-50-A125	2	500	125	540	6.50
GE-MX-OB90-60-A125	2	600	125	540	7.00
GE-MX-OB90-75-A125	2	750	125	540	7.60
GE-MX-OB90-90-A125	2	900	125	540	8.20

Vertical bends in 90°, 60°, 45°, 30° are available on request.
 90° vertical bend is supplied in standard unless the angle specified when ordering.

90°, 60°, 45°, 30° dönüpler mevcuttur.

Başka ölçü belirtilmedikçe standart 90° teslim edilir.

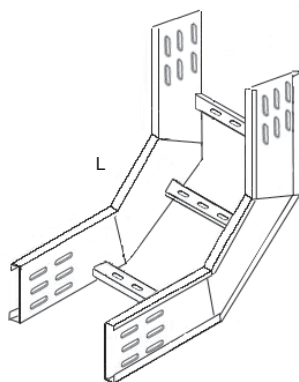
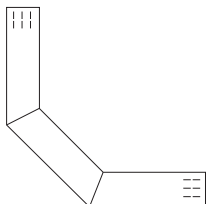
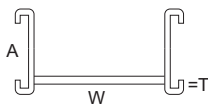
Угловые элементы могут быть изготовлены 90, 60, 45, 30.
 Стандартный размер 90, кроме случаев оговорённых при заказе.

GE-MX-IB90-A125

90° vertical bend, inside

90° iç bükey elemanı

Внутренний угловой элемент 90°



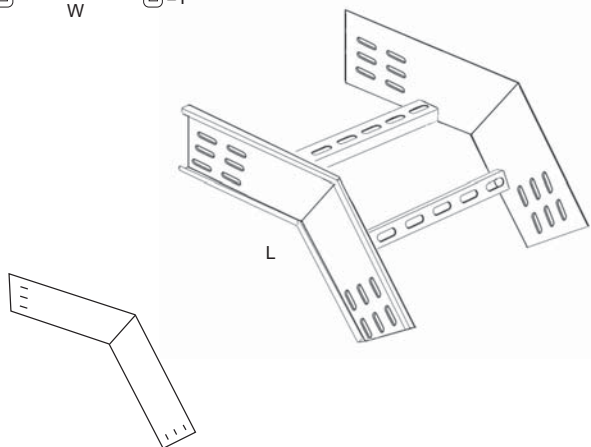
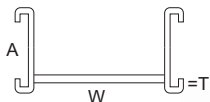
Part No	T	W	A	L	Kg
GE-MX-IB90-10-A125	2	100	125	540	5.00
GE-MX-IB90-15-A125	2	150	125	540	5.20
GE-MX-IB90-20-A125	2	200	125	540	5.40
GE-MX-IB90-25-A125	2	250	125	540	5.60
GE-MX-IB90-30-A125	2	300	125	540	5.80
GE-MX-IB90-40-A125	2	400	125	540	6.10
GE-MX-IB90-45-A125	2	450	125	540	6.30
GE-MX-IB90-50-A125	2	500	125	540	6.50
GE-MX-IB90-60-A125	2	600	125	540	7.00
GE-MX-IB90-75-A125	2	750	125	540	7.60
GE-MX-IB90-90-A125	2	900	125	540	8.20

Material options: Stainless steel AISI 304 (L) (A2) / AISI 316 (L) (A4), ST-37-42 Mild Steel, Corten A, Pregalvanized steel, Aluminum
 Finish options : Hot Dip Galvanized to EN 1461, Electrogalvanized to TS 149, Electrostatic Paint Coated, Prime coated
 See material & finish option charts for available product specific selections.

Cable Ladders

125

GE-MX-OB45-A125
 45° vertical bend, outside
 45° dış bükey elemanı
 Внешний угловой элемент 45°



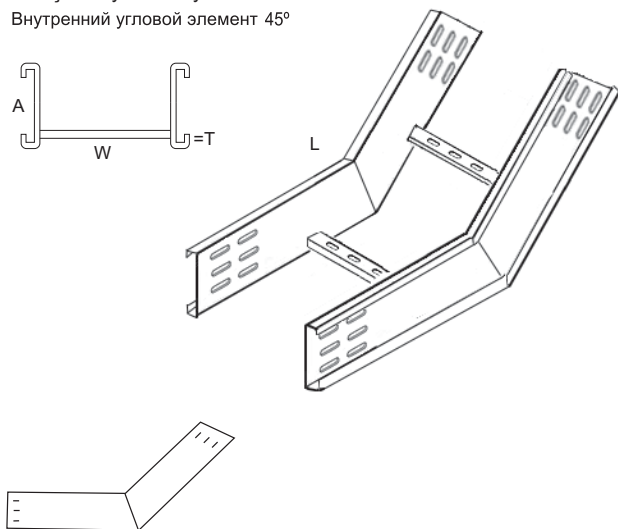
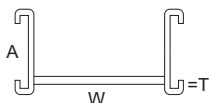
Part No	T	W	A	L	Kg
GE-MX-OB45-10-A125	2	100	125	450	4.00
GE-MX-OB45-15-A125	2	150	125	450	4.10
GE-MX-OB45-20-A125	2	200	125	450	4.20
GE-MX-OB45-25-A125	2	250	125	450	4.30
GE-MX-OB45-30-A125	2	300	125	450	4.40
GE-MX-OB45-40-A125	2	400	125	450	4.60
GE-MX-OB45-45-A125	2	450	125	450	4.80
GE-MX-OB45-50-A125	2	500	125	450	5.00
GE-MX-OB45-60-A125	2	600	125	450	5.40
GE-MX-OB45-75-A125	2	750	125	450	6.00
GE-MX-OB45-90-A125	2	900	125	450	6.60

Vertical bends in 90°, 60°, 45°, 30° are available on request. 90° vertical bend is supplied in standard unless the angle specified when ordering.

90°, 60°, 45°, 30° dönüpler mevcuttur. Başka ölçü belirtilmedikçe standart 90° teslim edilir.

Угловые элементы могут быть изготовлены 90, 60, 45, 30. Стандартный размер 90, кроме случаев оговорённых при заказе.

GE-MX-IB45-A125
 45° vertical bend, inside
 45° iç bükey elemanı
 Внутренний угловой элемент 45°



Part No	T	W	A	L	Kg
GE-MX-IB45-10-A125	2	100	125	450	4.00
GE-MX-IB45-15-A125	2	150	125	450	4.10
GE-MX-IB45-20-A125	2	200	125	450	4.20
GE-MX-IB45-25-A125	2	250	125	450	4.30
GE-MX-IB45-30-A125	2	300	125	450	4.40
GE-MX-IB45-40-A125	2	400	125	450	4.60
GE-MX-IB45-45-A125	2	450	125	450	4.80
GE-MX-IB45-50-A125	2	500	125	450	5.00
GE-MX-IB45-60-A125	2	600	125	450	5.40
GE-MX-IB45-75-A125	2	750	125	450	6.00
GE-MX-IB45-90-A125	2	900	125	450	6.60

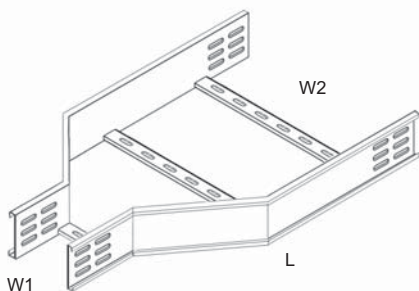
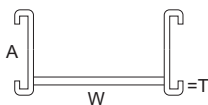
Material options: Stainless steel AISI 304 (L) (A2) / AISI 316 (L) (A4), ST-37-42 Mild Steel, Corten A, Pregalvanized steel, Aluminum
 Finish options : Hot Dip Galvanized to EN 1461, Electrogalvanized to TS 149, Electrostatic Paint Coated, Prime coated
 See material & finish option charts for available product specific selections.

Cable Ladders

125

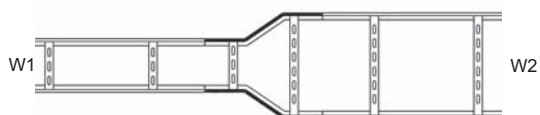
GE-MX-R-A125

Reducer
 Redüksiyon
 Редукции



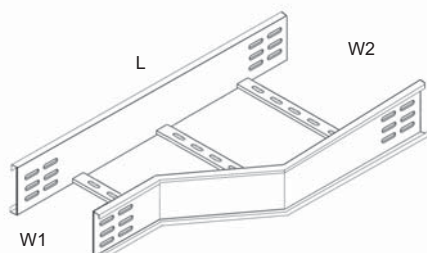
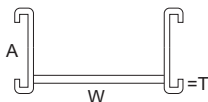
Part No	T	W	A	L	Kg
GE-MX-R-10-20-A125	2	100 - 200	125	300	3.20
GE-MX-R-10-30-A125	2	100 - 300	125	340	3.60
GE-MX-R-10-40-A125	2	100 - 400	125	400	4.00
GE-MX-R-10-50-A125	2	100 - 500	125	440	4.40
GE-MX-R-10-60-A125	2	100 - 600	125	490	4.80
GE-MX-R-10-75-A125	2	100 - 750	125	560	5.40
GE-MX-R-10-90-A125	2	100 - 900	125	650	6.00

How to order / Kodlama / Как написать при заказе
 GE-MX R 100 200 A125 HDG
 (Series + Product + Width1 + Width2 + Height + Finish)



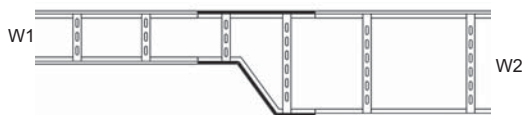
GE-MX-RL-A125

Left reducer
 Sola redüksiyon
 Редукции



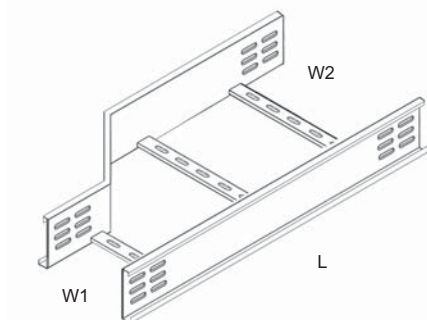
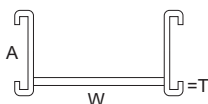
Part No	T	W	A	L	Kg
GE-MX-RL-10-20-A125	2	100 - 200	125	300	3.20
GE-MX-RL-10-30-A125	2	100 - 300	125	340	3.60
GE-MX-RL-10-40-A125	2	100 - 400	125	400	4.00
GE-MX-RL-10-50-A125	2	100 - 500	125	440	4.40
GE-MX-RL-10-60-A125	2	100 - 600	125	490	4.80
GE-MX-RL-10-75-A125	2	100 - 750	125	560	5.40
GE-MX-RL-10-90-A125	2	100 - 900	125	650	6.00

How to order / Kodlama / Как написать при заказе
 GE-MX RL 100 200 A125 HDG
 (Series + Product + Width1 + Width2 + Height + Finish)



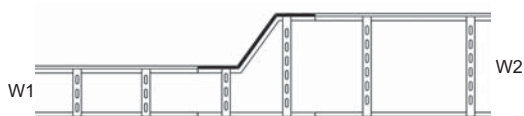
GE-MX-RR-A125

Right reducer
 Sağa redüksiyon
 Редукции



Part No	T	W	A	L	Kg
GE-MX-RR-10-20-A125	2	100 - 200	125	300	3.20
GE-MX-RR-10-30-A125	2	100 - 300	125	340	3.60
GE-MX-RR-10-40-A125	2	100 - 400	125	400	4.00
GE-MX-RR-10-50-A125	2	100 - 500	125	440	4.40
GE-MX-RR-10-60-A125	2	100 - 600	125	490	4.80
GE-MX-RR-10-75-A125	2	100 - 750	125	560	5.40
GE-MX-RR-10-90-A125	2	100 - 900	125	650	6.00

How to order / Kodlama / Как написать при заказе
 GE-MX RR 100 200 A125 HDG
 (Series + Product + Width1 + Width2 + Height + Finish)



Material options: Stainless steel AISI 304 (L) (A2) / AISI 316 (L) (A4), ST-37-42 Mild Steel, Corten A, Pregalvanized steel, Aluminum
 Finish options : Hot Dip Galvanized to EN 1461, Electrogalvanized to TS 149, Electrostatic Paint Coated, Prime coated
 See material & finish option charts for available product specific selections.

Cable Ladders

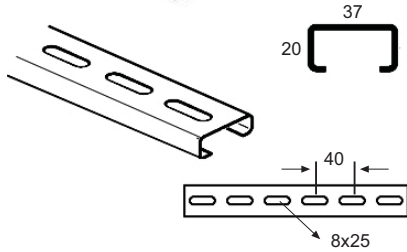
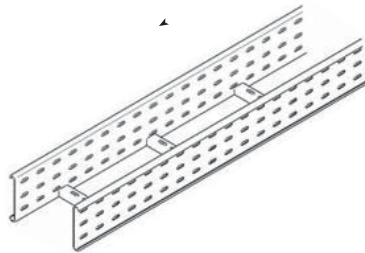
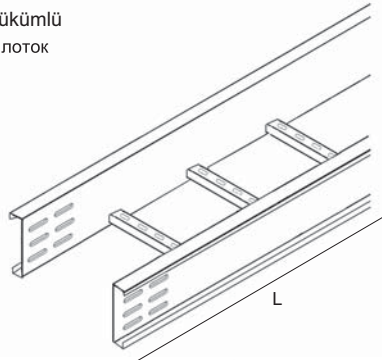
150

GE-MX-A150

Cable ladder, out-flanged

Kablo merdiveni, dışa bükümlü

GE-MX150 лестничный лоток



Base holes available upon request.

Ştektek üzerine taban delikleri ile imal edilir.
 База доступна дыр по запросу.

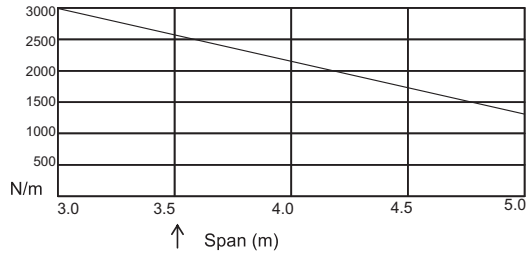
Part No	T	W	A	L	Kg/m
GE-MX-10-A150	2	100	150	3000	7.40
GE-MX-15-A150	2	150	150	3000	7.60
GE-MX-20-A150	2	200	150	3000	7.80
GE-MX-25-A150	2	250	150	3000	8.00
GE-MX-30-A150	2	300	150	3000	8.20
GE-MX-40-A150	2	400	150	3000	8.60
GE-MX-45-A150	2	450	150	3000	8.80
GE-MX-50-A150	2	500	150	3000	9.00
GE-MX-60-A150	2	600	150	3000	9.40
GE-MX-75-A150	2	750	150	3000	10.00
GE-MX-90-A150	2	900	150	3000	10.60

SS4 SS6 HDG EG ESB APB AL

Custom production available upon request.

Ştekte göre diðer ölçülerde üretim yapılr.

Возможно изготовление продукции на заказ.



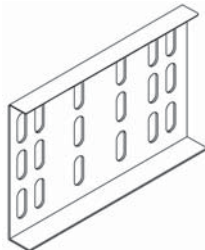
GE-EKX

Coupler

Ek parçası

Связующий элемент

Part No	T	A	Kg
GE-EKX-150	2	150	0.80



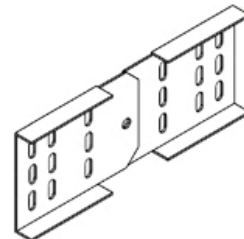
GE-SDX

Hinge plate

Seviye deđirtirme

Регулятор уровня

Part No	Kg
GE-SDX-150	1.20



Material options: Stainless steel AISI 304 (L) (A2) / AISI 316 (L) (A4), ST-37-42 Mild Steel, Corten A, Pregalvanized steel, Aluminum
 Finish options : Hot Dip Galvanized to EN 1461, Electrogalvanized to TS 149, Electrostatic Paint Coated, Prime coated
 See material & finish option charts for available product specific selections.

Cable Ladders

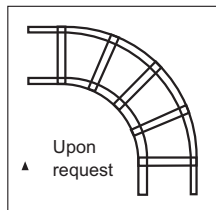
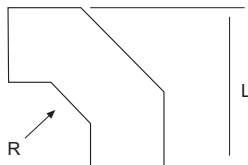
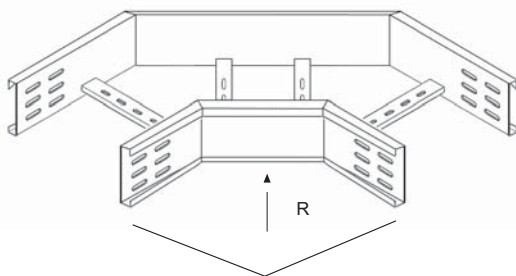
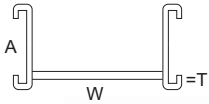
150

GE-MX-D90-A150

90° flat bend

90° dönüş elemanı

Секция угловая горизонтальная 90°



Part No	T	W	A	L	Kg
GE-MX-D90-10-A150	2	100	150	260	3.40
GE-MX-D90-15-A150	2	150	150	310	3.70
GE-MX-D90-20-A150	2	200	150	360	4.20
GE-MX-D90-25-A150	2	250	150	410	4.70
GE-MX-D90-30-A150	2	300	150	460	5.20
GE-MX-D90-40-A150	2	400	150	560	6.60
GE-MX-D90-45-A150	2	450	150	610	6.90
GE-MX-D90-50-A150	2	500	150	660	8.00
GE-MX-D90-60-A150	2	600	150	760	9.20
GE-MX-D90-75-A150	2	750	150	910	11.00
GE-MX-D90-90-A150	2	900	150	1060	12.70

Vertical bends in 90°, 60°, 45°, 30° are available on request.
 90° vertical bend is supplied in standard unless the angle specified when ordering.

90°, 60°, 45°, 30° dönüşler mevcuttur.

Başka ölçü belirtilmedikçe standart 90° teslim edilir.

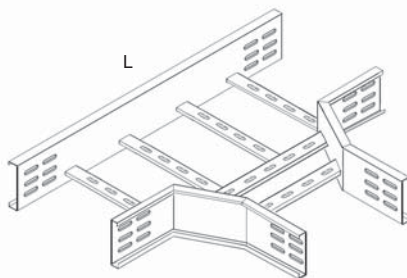
Угловые элементы могут быть изготовлены 90, 60, 45, 30. Стандартный размер 90, кроме случаев оговорённых при заказе.

GE-MX-T-A150

Tee

T elemanı

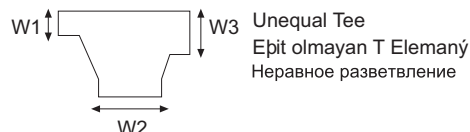
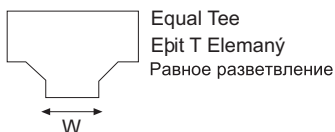
T образное разветвление



Part No	T	W	A	L	Kg
GE-MX-T-10-A150	2	100	150	420	4.10
GE-MX-T-15-A150	2	150	150	470	4.50
GE-MX-T-20-A150	2	200	150	520	4.90
GE-MX-T-25-A150	2	250	150	570	5.30
GE-MX-T-30-A150	2	300	150	620	5.70
GE-MX-T-40-A150	2	400	150	720	6.50
GE-MX-T-45-A150	2	450	150	770	7.00
GE-MX-T-50-A150	2	500	150	820	7.50
GE-MX-T-60-A150	2	600	150	920	8.90
GE-MX-T-75-A150	2	750	150	1070	10.40
GE-MX-T-90-A150	2	900	150	1220	11.80

Please specify the widths of unequal tees by drawing.
 Ebit olmayan T' lerde W ölçülerini siparişte belirtiniz.

Укажите размеры W неравного T-образного разветвления.

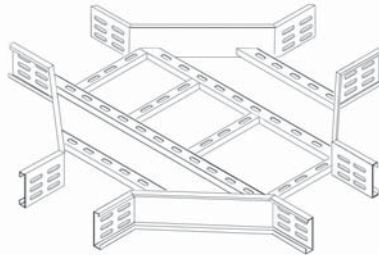
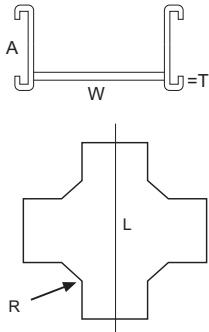


Material options: Stainless steel AISI 304 (L) (A2) / AISI 316 (L) (A4), ST-37-42 Mild Steel, Corten A, Pregalvanized steel, Aluminum
 Finish options : Hot Dip Galvanized to EN 1461, Electrogalvanized to TS 149, Electrostatic Paint Coated, Prime coated
 See material & finish option charts for available product specific selections.

Cable Ladders

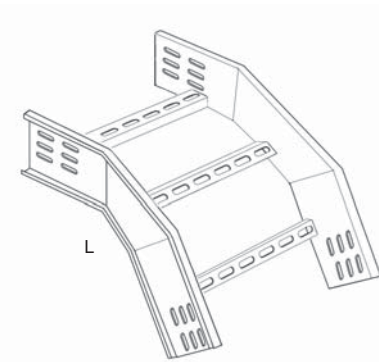
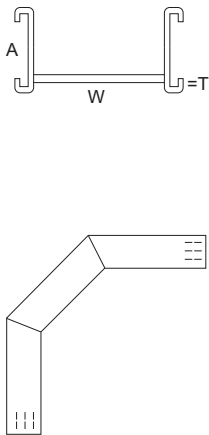
150

GE-MX-DB-A150
 Crossing
 Dörtlü Bađlantı Elemanı
 Секция крестообразная



Part No	T	W	A	L	Kg
GE-MX-DB-10-A150	2	100	150	420	5.10
GE-MX-DB-15-A150	2	150	150	470	5.60
GE-MX-DB-20-A150	2	200	150	520	6.10
GE-MX-DB-25-A150	2	250	150	570	6.60
GE-MX-DB-30-A150	2	300	150	620	7.10
GE-MX-DB-40-A150	2	400	150	720	8.10
GE-MX-DB-45-A150	2	450	150	770	8.60
GE-MX-DB-50-A150	2	500	150	820	9.10
GE-MX-DB-60-A150	2	600	150	920	10.00
GE-MX-DB-75-A150	2	750	150	1070	11.50
GE-MX-DB-90-A150	2	900	150	1220	13.00

GE-MX-OB90-A150
 90° vertical bend, outside
 90° dış bükey elemanı
 Внешний угловой элемент 90°



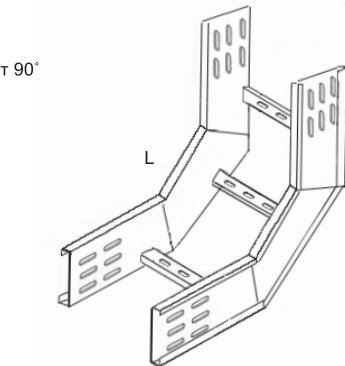
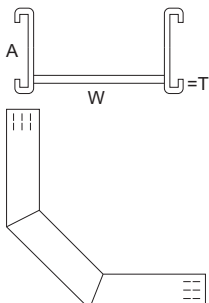
Part No	T	W	A	L	Kg
GE-MX-OB90-10-A150	2	100	150	540	5.70
GE-MX-OB90-15-A150	2	150	150	540	5.90
GE-MX-OB90-20-A150	2	200	150	540	6.10
GE-MX-OB90-25-A150	2	250	150	540	6.30
GE-MX-OB90-30-A150	2	300	150	540	6.50
GE-MX-OB90-40-A150	2	400	150	540	6.80
GE-MX-OB90-45-A150	2	450	150	540	7.00
GE-MX-OB90-50-A150	2	500	150	540	7.10
GE-MX-OB90-60-A150	2	600	150	540	7.50
GE-MX-OB90-75-A150	2	750	150	540	8.10
GE-MX-OB90-90-A150	2	900	150	540	8.50

Vertical bends in 90°, 60°, 45°, 30° are available on request.
 90° vertical bend is supplied in standard unless the angle specified when ordering.

90°, 60°, 45°, 30° dönüpler mevcuttur.
 Başka ölçü belirtilmedikçe standart 90° teslim edilir.

Угловые элементы могут быть изготовлены 90, 60, 45, 30.
 Стандартный размер 90, кроме случаев оговорённых при заказе.

GE-MX-IB90-A150
 90° vertical bend, inside
 90° iç bükey elemanı
 Внутренний угловой элемент 90°



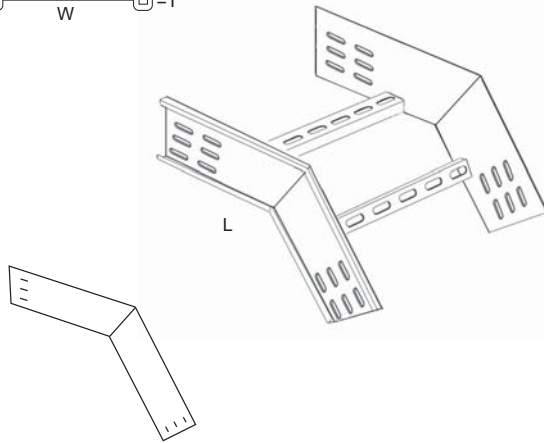
Part No	T	W	A	L	Kg
GE-MX-IB90-10-A150	2	100	150	540	5.70
GE-MX-IB90-15-A150	2	150	150	540	5.90
GE-MX-IB90-20-A150	2	200	150	540	6.10
GE-MX-IB90-25-A150	2	250	150	540	6.30
GE-MX-IB90-30-A150	2	300	150	540	6.50
GE-MX-IB90-40-A150	2	400	150	540	6.80
GE-MX-IB90-45-A150	2	450	150	540	7.00
GE-MX-IB90-50-A150	2	500	150	540	7.10
GE-MX-IB90-60-A150	2	600	150	540	7.50
GE-MX-IB90-75-A150	2	750	150	540	8.10
GE-MX-IB90-90-A150	2	900	150	540	8.50

Material options: Stainless steel AISI 304 (L) (A2) / AISI 316 (L) (A4), ST-37-42 Mild Steel, Corten A, Pregalvanized steel, Aluminum
 Finish options : Hot Dip Galvanized to EN 1461, Electrogalvanized to TS 149, Electrostatic Paint Coated, Prime coated
 See material & finish option charts for available product specific selections.

Cable Ladders

150

GE-MX-OB45-A150
 45° vertical bend, outside
 45° dış bükey elemanı
 Внешний угловой элемент 45°



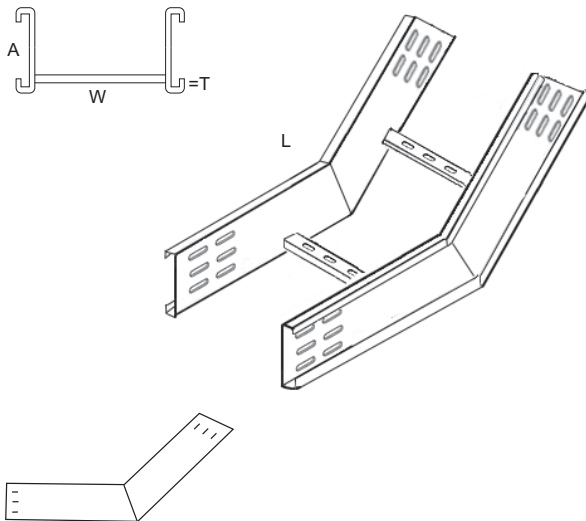
Part No	T	W	A	L	Kg
GE-MX-OB45-10-A150	2	100	150	450	4.50
GE-MX-OB45-15-A150	2	150	150	450	4.60
GE-MX-OB45-20-A150	2	200	150	450	4.70
GE-MX-OB45-25-A150	2	250	150	450	4.80
GE-MX-OB45-30-A150	2	300	150	450	4.90
GE-MX-OB45-40-A150	2	400	150	450	5.20
GE-MX-OB45-45-A150	2	450	150	450	5.30
GE-MX-OB45-50-A150	2	500	150	450	5.40
GE-MX-OB45-60-A150	2	600	150	450	5.70
GE-MX-OB45-75-A150	2	750	150	450	6.00
GE-MX-OB45-90-A150	2	900	150	450	6.30

Vertical bends in 90°, 60°, 45°, 30° are available on request.
 90° vertical bend is supplied in standard unless the angle specified when ordering.

90°, 60°, 45°, 30° dönüpler mevcuttur.
 Başka ölçü belirtilmedikçe standart 90° teslim edilir.

Угловые элементы могут быть изготовлены 90, 60, 45, 30.
 Стандартный размер 90, кроме случаев оговорённых при заказе.

GE-MX-IB45-A150
 45° vertical bend, inside
 45° iç bükey elemanı

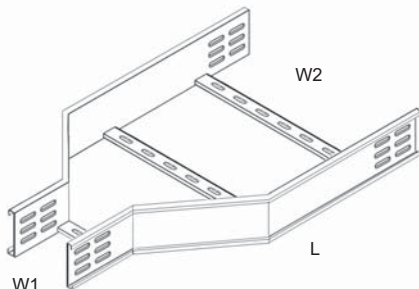
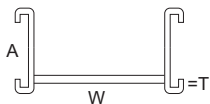


Part No	T	W	A	L	Kg
GE-MX-IB45-10-A150	2	100	150	450	4.50
GE-MX-IB45-15-A150	2	150	150	450	4.60
GE-MX-IB45-20-A150	2	200	150	450	4.70
GE-MX-IB45-25-A150	2	250	150	450	4.80
GE-MX-IB45-30-A150	2	300	150	450	4.90
GE-MX-IB45-40-A150	2	400	150	450	5.20
GE-MX-IB45-45-A150	2	450	150	450	5.30
GE-MX-IB45-50-A150	2	500	150	450	5.40
GE-MX-IB45-60-A150	2	600	150	450	5.70
GE-MX-IB45-75-A150	2	750	150	450	6.00
GE-MX-IB45-90-A150	2	900	150	450	6.30

Material options: Stainless steel AISI 304 (L) (A2) / AISI 316 (L) (A4), ST-37-42 Mild Steel, Corten A, Pregalvanized steel, Aluminum
 Finish options : Hot Dip Galvanized to EN 1461, Electrogalvanized to TS 149, Electrostatic Paint Coated, Prime coated
 See material & finish option charts for available product specific selections.

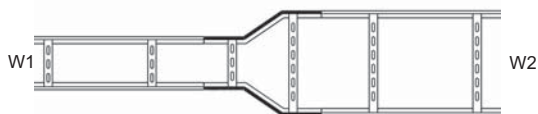
Cable Ladders 150

GE-MX-R-A150
 Reducer
 Redüksiyon
 Редукции

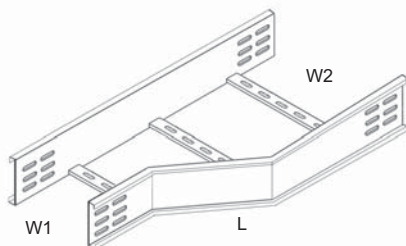
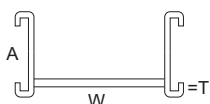


Part No	T	W	A	L	Kg
GE-MX-R-10-20-A150	2	100 - 200	150	300	3.60
GE-MX-R-10-30-A150	2	100 - 300	150	340	4.00
GE-MX-R-10-40-A150	2	100 - 400	150	400	4.40
GE-MX-R-10-50-A150	2	100 - 500	150	440	4.80
GE-MX-R-10-60-A150	2	100 - 600	150	490	5.20
GE-MX-R-10-75-A150	2	100 - 750	150	560	5.80
GE-MX-R-10-90-A150	2	100 - 900	150	650	6.40

How to order / Kodlama / Как написать при заказе
 GE-MX R 100 200 A150 HDG
 (Series + Product + Width1 + Width2 + Height + Finish)

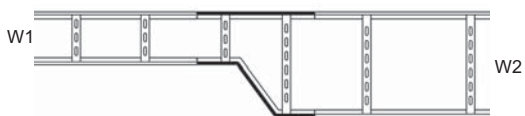


GE-MX-RL-A150
 Left reducer
 Sola redüksiyon
 Редукции

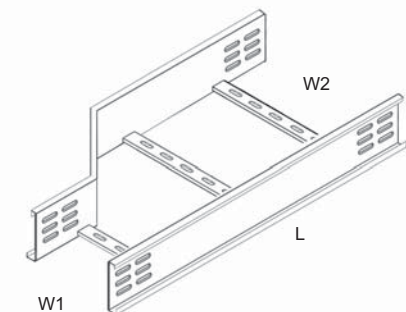
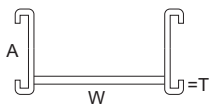


Part No	T	W	A	L	Kg
GE-MX-RL-10-20-A150	2	100 - 200	150	300	3.60
GE-MX-RL-10-30-A150	2	100 - 300	150	340	4.00
GE-MX-RL-10-40-A150	2	100 - 400	150	400	4.40
GE-MX-RL-10-50-A150	2	100 - 500	150	440	4.80
GE-MX-RL-10-60-A150	2	100 - 600	150	490	5.20
GE-MX-RL-10-75-A150	2	100 - 750	150	560	5.80
GE-MX-RL-10-90-A150	2	100 - 900	150	650	6.40

How to order / Kodlama / Как написать при заказе
 GE-MX RL 100 200 A150 HDG
 (Series + Product + Width1 + Width2 + Height + Finish)

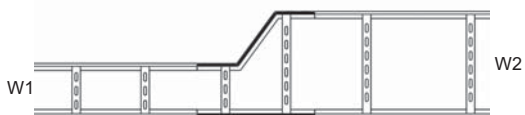


GE-MX-RR-A150
 Right reducer
 Sağa redüksiyon
 Редукции



Part No	T	W	A	L	Kg
GE-MX-RR-10-20-A150	2	100 - 200	150	300	3.60
GE-MX-RR-10-30-A150	2	100 - 300	150	340	4.00
GE-MX-RR-10-40-A150	2	100 - 400	150	400	4.40
GE-MX-RR-10-50-A150	2	100 - 500	150	440	4.80
GE-MX-RR-10-60-A150	2	100 - 600	150	490	5.20
GE-MX-RR-10-75-A150	2	100 - 750	150	560	5.80
GE-MX-RR-10-90-A150	2	100 - 900	150	650	6.40

How to order / Kodlama / Как написать при заказе
 GE-MX RR 100 200 A150 HDG
 (Series + Product + Width1 + Width2 + Height + Finish)



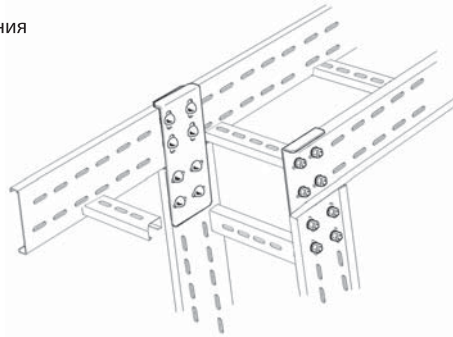
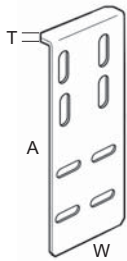
Material options: Stainless steel AISI 304 (L) (A2) / AISI 316 (L) (A4), ST-37-42 Mild Steel, Corten A, Pregalvanized steel, Aluminum
 Finish options : Hot Dip Galvanized to EN 1461, Electrogalvanized to TS 149, Electrostatic Paint Coated, Prime coated
 See material & finish option charts for available product specific selections.

GE-MX-RD

Drop out bracket

Dikey bađlantýparçasý

Вертикальный элемент соединения



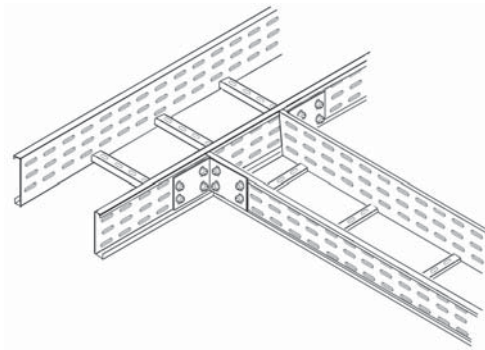
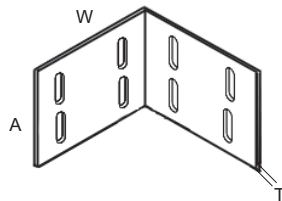
Part No	T	W	A	Kg
GE-MX-RD-100	2	100	200	0.37
GE-MX-RD-125	2	100	250	0.46
GE-MX-RD-150	2	100	300	0.55

GE-MX-RT

T bracket

T bađlantýparçasý

T элемент соединения



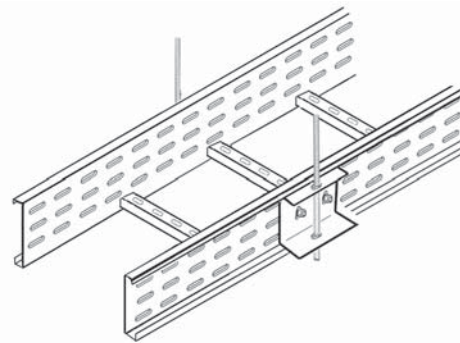
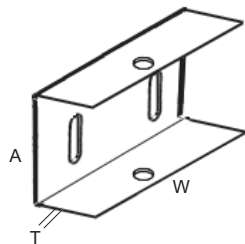
Part No	T	W	A	Kg
GE-MX-RT-100	2	100	75	0.24
GE-MX-RT-125	2	100	100	0.32
GE-MX-RT-150	2	100	125	0.40

GE-MX-RB

Hanger rod bracket

Tij tipi askýkonsolu

Редукции



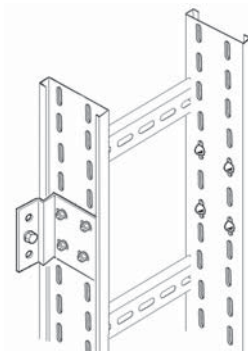
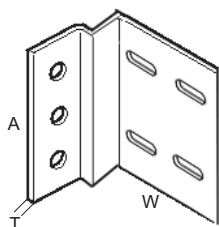
Part No	T	W	A	Kg
GE-MX-RB-100	3	100	75	0.37
GE-MX-RB-125	3	100	100	0.43
GE-MX-RB-150	3	100	125	0.49

GE-MX-RC

Fasteners to the wall of

Duvara tespit elemaný

крепеж к стене

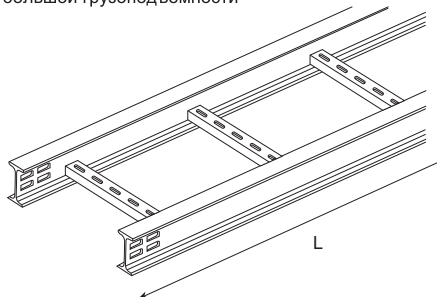


Part No	T	W	A	Kg
GE-MX-RC-100	3	75	100	0.35
GE-MX-RC-125	3	100	100	0.41
GE-MX-RC-150	3	125	100	0.47

Material options: Stainless steel AISI 304 (L) (A2) / AISI 316 (L) (A4), ST-37-42 Mild Steel, Corten A, Pregalvanized steel, Aluminum
 Finish options : Hot Dip Galvanized to EN 1461, Electrogalvanized to TS 149, Electrostatic Paint Coated, Prime coated
 See material & finish option charts for available product specific selections.

GE-MEH

Cable ladder, I beam section type
 Kablo merdiveni, I profil tipi
 Кабельные лестницы, Экстра большой грузоподъемности



EXTRA HEAVY DUTY

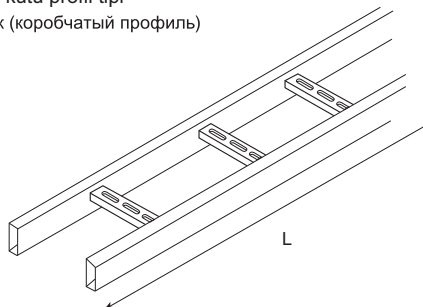
Part No	T	W	A	L	Kg/m
GE-MEH-20					
GE-MEH-25					
GE-MEH-30					
GE-MEH-40					
GE-MEH-45					
GE-MEH-50					
GE-MEH-60					
GE-MEH-75					
GE-MEH-90					
GE-MEH-100					

PLEASE CONTACT US FOR DETAILS

SS4 SS6 HDG EG ESB APB AL

GE-KPM

Cable ladder, box section type
 Kablo merdiveni, kutu profil tipi
 Лестничный лоток (коробчатый профиль)

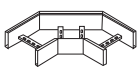


LIGHT DUTY

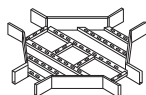
Part No	T	W	A	L	Kg/m
GE-KPM-20	1.5	200	TBS	3000	-
GE-KPM-25	1.5	250	TBS	3000	-
GE-KPM-30	1.5	300	TBS	3000	-
GE-KPM-40	1.5	400	TBS	3000	-

TBS: to be specified by customer

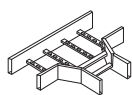
GE-KPM-D90



GE-KPM-DB



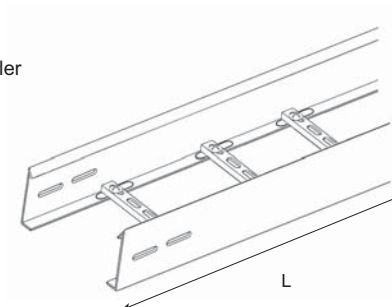
GE-KPM-T



Dims. mm	t (mm)										
	0,7	0,8	0,9	1	1,2	1,5	2	2,5	3	4	5
	Kg / M										
10x10	0.204	0.231	0.257	0.282	0.338						
15x15	0.314	0.356	0.399	0.438	0.52	0.632					
20x20	0.424	0.482	0.539	0.595	0.708	0.868	1.12	1.51			
25x25	0.534	0.608	0.681	0.752	0.896	1.1	1.44	1.89	1.90		
30x30		0.733	0.822	0.909	1.085	1.34	1.75	2.15	2.39		
40x40				1.21	1.44	1.81	2.38	2.93	3.33	4.25	
50x50					1.82	2.28	3.01	3.72	4.28	5.51	6.56
60x60						2.75	3.64	4.5	5.52	6.76	8.13
70x70						3.23	4.26	5.29	6.16	8.02	9.7
80x80							4.89	6.07	7.1	9.28	11.3
90x90							5.52	6.86	8.04	10.5	12.8
100x100							6.15	7.64	8.99	11.8	14.4
120x120									11.1	14.1	17.4
125x125									11.5	15	18.06
150x150									13.9	18.12	21.35

GE-FCL

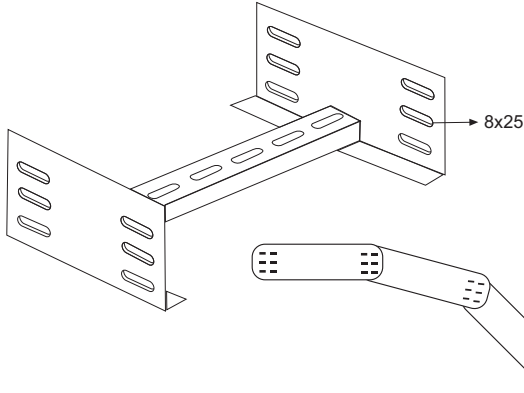
Cable ladder, flexible
 Kablo merdiveni, modüler
 Гибкий кабель лестнице



Part No	T	W	A	L	Kg/m
GE-FCL-20-A60	1,5	200	60	3000	2,50
GE-FCL-30-A60	1,5	300	60	3000	2,70
GE-FCL-40-A60	1,5	400	60	3000	2,90
GE-FCL-50-A60	1,5	500	60	3000	3,10
GE-FCL-60-A60	1,5	600	60	3000	3,30

Material options: Stainless steel AISI 304 (L) (A2) / AISI 316 (L) (A4), ST-37-42 Mild Steel, Corten A, Pregalvanized steel, Aluminum
Finish options : Hot Dip Galvanized to EN 1461, Electrogalvanized to TS 149, Electrostatic Paint Coated, Prime coated
See material & finish option charts for available product specific selections.

GE-ARI
Articulated riser
Modüler iç / dış bükey elemanı
Модульный соединитель



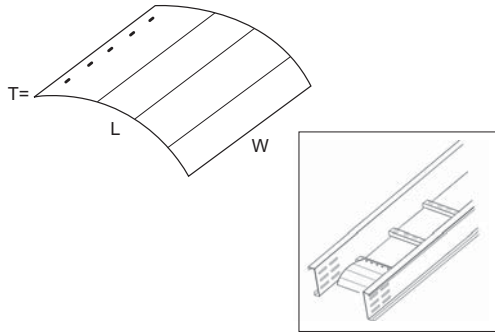
Articulated risers are used to create inside and / or outside riser connections on cable ladders.

Modüler iç/dış bükey elemanlarıkablo tabıyyıçhattında inip çkyı yapmayısađlar.

Сочлененное стояки используются для создания внутренней и / или за стояк соединения по кабелю лестницы.

How to order / Kodlama / Как написать при заказе
GE- ARI 25 A100 HDG
(Product + Width + Height + Finish)

GE-DRP
Drop-out plate
Kablo çkyı elemanı
Кабель выбыть



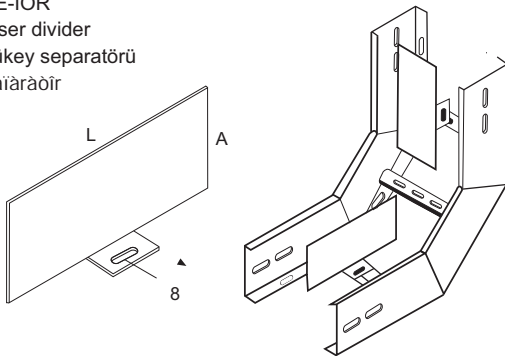
Part No	T	W	L	Kg
GE-DRP-10	1.5	100	500	0.66
GE-DRP-15	1.5	150	500	0.99
GE-DRP-20	1.5	200	500	1.30
GE-DRP-25	1.5	250	500	1.65
GE-DRP-30	1.5	300	500	2.00
GE-DRP-40	1.5	400	500	2.70
GE-DRP-45	1.5	450	700	4.20
GE-DRP-60	1.5	600	700	6.00
GE-DRP-75	1.5	750	700	6.90
GE-DRP-90	1.5	900	700	8.40

Drop out plates provide a simple and smooth way for the cables to enter and leave the cable ladder.
Drop out plates are available for all cable ladder widths.

Kabloların merdiven üzerinden rahat çkyınısađlar.
Tüm merdiven ölçülerinde mevcuttur.

GE-DRP ieeö iañniäçeeaaö irinÖio e aeaaeeö iööö aeü eaaäey çkyä e aüazä ez eaaäey eañöieçä.
GE-DRP añÖöiia euaiio Bereia eañöieçü eaaäey.

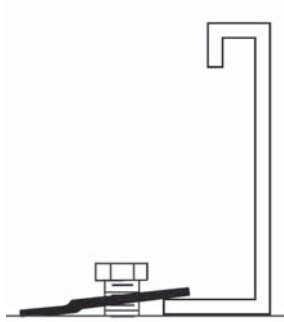
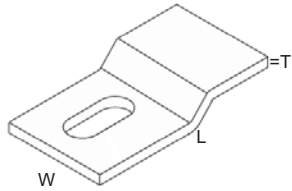
GE-IOR
Riser divider
Bükey separatörü
Saiäraöör



Part No	T	A	L	Kg
GE-IOR-50	1.5	35	300	0.15
GE-IOR-70	1.5	55	300	0.25
GE-IOR-100	1.5	80	300	0.35
GE-IOR-125	1.5	105	300	0.45
GE-IOR-150	1.5	130	300	0.55
GE-IOR-100	2	80	300	0.45
GE-IOR-125	2	105	300	0.60
GE-IOR-150	2	130	300	0.73

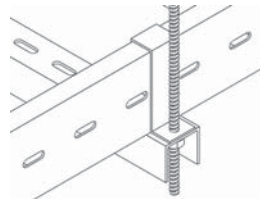
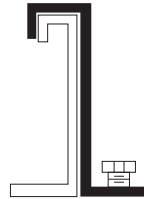
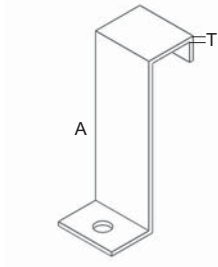
Material options: Stainless steel AISI 304 (L) (A2) / AISI 316 (L) (A4), ST-37-42 Mild Steel, Corten A, Pregalvanized steel, Aluminum
 Finish options : Hot Dip Galvanized to EN 1461, Electrogalvanized to TS 149, Electrostatic Paint Coated, Prime coated
 See material & finish option charts for available product specific selections.

GE-MDTE
 Hold down clips
 Merdiven tespit klipsi
 Rääöeyöiru öriäiy



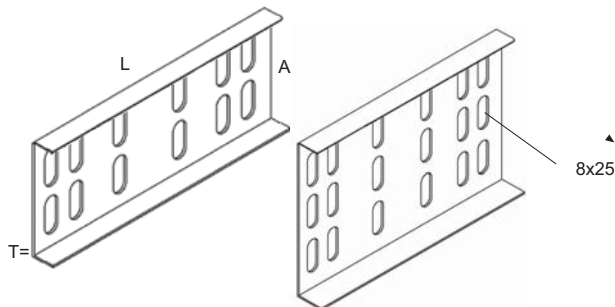
Part No	T	W	L	Kg
GE-MDTE-1	2	30	60	0.034
GE-MDTE-2	3	30	60	0.050

GE-HDC
 Hold down clamp
 Merdiven tespit elemanı
 Rääöeyöiru öriäiy



Part No	T	W	Kg
GE-HDC-25	2	25	0.050
GE-HDC-40	2	40	0.060
GE-HDC-50	2	50	0.065
GE-HDC-60	2	60	0.070
GE-HDC-70	2	70	0.075
GE-HDC-80	2	80	0.080
GE-HDC-100	3	100	0.135
GE-HDC-125	3	125	0.140
GE-HDC-150	3	150	0.160

GE-EKX
 Coupler
 Ek parçası
 Связующий элем



Part No	T	A	L	Kg
GE-EKX-100	2	100	240	0.54
GE-EKX-125	2	125	240	0.62
GE-EKX-150	2	150	240	0.80

Material options: Stainless steel AISI 304 (L) (A2) / AISI 316 (L) (A4), ST-37-42 Mild Steel, Corten A, Pregalvanized steel, Aluminum
 Finish options : Hot Dip Galvanized to EN 1461, Electrogalvanized to TS 149, Electrostatic Paint Coated, Prime coated
 See material & finish option charts for available product specific selections.

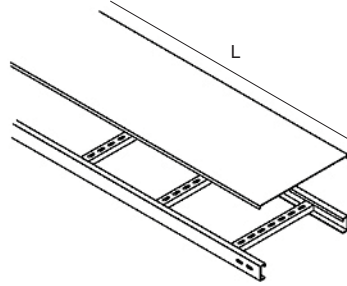
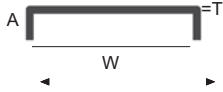
GE-KTK1

Solid cover for cable tray/ladder

Standart kablo kanalýmerdiveni kapađý

Érúúèà nõáíáàrõtáý àèý èáááèðíúò

Èãñòíèçíúò èìðèíá



Part No	T	W	A	L	Kg/m
GE-KTK1-10	1	100	12	3000	1.10
GE-KTK1-15	1	150	12	3000	1.50
GE-KTK1-20	1	200	12	3000	2.00
GE-KTK1-25	1	250	12	3000	2.40
GE-KTK1-30	1	300	12	3000	2.80
GE-KTK1-40	1.2	400	12	3000	4.50
GE-KTK1-45	1.2	450	12	3000	5.00
GE-KTK1-50	1.2	500	12	3000	5.60
GE-KTK1-60	1.5	600	12	3000	8.20
GE-KTK1-75	1.5	750	12	3000	10.20
GE-KTK1-90	1.5	900	12	3000	12.15

Custom production available upon request.

Ýsteđe göre diđer ölçülerde üretim yapýlýr.

Возможно изготовление продукции на заказ.

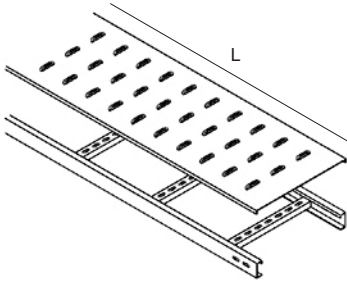
GE-KTK2

Louvered cover for cable tray/ladder

Pencereli kablo kanalýmerdiveni kapađý

Érúúèà nõáíáàrõtáý àèý èáááèðíúò

Èãñòíèçíúò èìðèíá



Part No	T	W	A	L	Kg/m
GE-KTK2-10	1	100	12	3000	1.10
GE-KTK2-15	1	150	12	3000	1.50
GE-KTK2-20	1	200	12	3000	2.00
GE-KTK2-25	1	250	12	3000	2.40
GE-KTK2-30	1	300	12	3000	2.80
GE-KTK2-40	1.2	400	12	3000	4.50
GE-KTK2-45	1.2	450	12	3000	5.00
GE-KTK2-50	1.2	500	12	3000	5.60
GE-KTK2-60	1.5	600	12	3000	8.20
GE-KTK2-75	1.5	750	12	3000	10.20
GE-KTK2-90	1.5	900	12	3000	12.15

Custom production available upon request.

Ýsteđe göre diđer ölçülerde üretim yapýlýr.

Возможно изготовление продукции на заказ.

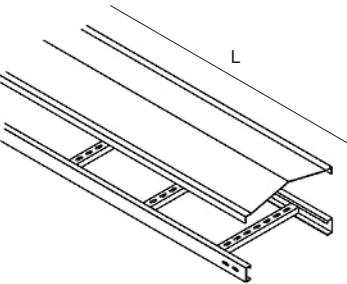
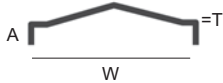
GE-KTK3

Packed cover for cable tray/ladder

Çatýlý kablo kanalýmerdiveni kapađý

Onòrîèíáçíáý érúúèà àèý èáááèðíúò

Èãñòíèçíúò èìðèíá



Part No	T	W	A	L	Kg/m
GE-KTK3-10	1	100	12	3000	1.30
GE-KTK3-15	1	150	12	3000	1.80
GE-KTK3-20	1	200	12	3000	2.40
GE-KTK3-25	1	250	12	3000	2.90
GE-KTK3-30	1	300	12	3000	3.00
GE-KTK3-40	1.2	400	12	3000	4.80
GE-KTK3-45	1.2	450	12	3000	5.50
GE-KTK3-50	1.2	500	12	3000	6.00
GE-KTK3-60	1.5	600	12	3000	8.50
GE-KTK3-75	1.5	750	12	3000	10.50
GE-KTK3-90	1.5	900	12	3000	12.60

Custom production available upon request.

Ýsteđe göre diđer ölçülerde üretim yapýlýr.

Возможно изготовление продукции на заказ.

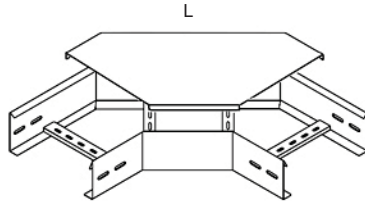
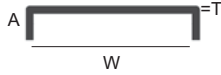
Material options: Stainless steel AISI 304 (L) (A2) / AISI 316 (L) (A4), ST-37-42 Mild Steel, Corten A, Pregalvanized steel, Aluminum
 Finish options : Hot Dip Galvanized to EN 1461, Electrogalvanized to TS 149, Electrostatic Paint Coated, Prime coated
 See material & finish option charts for available product specific selections.

GE-DK

Cover for flat blend

Yatay dönüþ kapađý

Èrúüèà àirèziíðàèðíáí èiðèà



Part No	T	W	A	L	Kg
GE-DK-10	1	100	12	145	0.21
GE-DK-15	1	150	12	195	0.37
GE-DK-20	1	200	12	245	0.57
GE-DK-25	1	250	12	295	0.82
GE-DK-30	1	300	12	345	1.10
GE-DK-40	1.2	400	12	445	2.20
GE-DK-45	1.2	450	12	495	2.70
GE-DK-50	1.2	500	12	545	3.25
GE-DK-60	1.5	600	12	645	5.70
GE-DK-75	1.5	750	12	795	8.55
GE-DK-90	1.5	900	12	945	12.00

Custom production available upon request.

Ýsteđe göre diðer ölçülerde üretim yapýlýr.

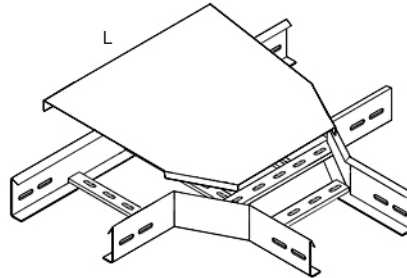
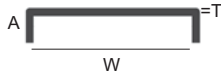
Возможно изготовление продукции на заказ.

GE-TK

Cover for tee

T kapađý

Èrúüèà ò-íàràziíáí raxááðàèáéíý



Part No	T	W	A	L	Kg
GE-TK-10	1	100	12	180	0.25
GE-TK-15	1	150	12	230	0.41
GE-TK-20	1	200	12	280	0.63
GE-TK-25	1	250	12	330	0.89
GE-TK-30	1	300	12	380	1.20
GE-TK-40	1.2	400	12	480	2.30
GE-TK-45	1.2	450	12	530	2.80
GE-TK-50	1.2	500	12	580	3.40
GE-TK-60	1.5	600	12	680	5.90
GE-TK-75	1.5	750	12	830	8.82
GE-TK-90	1.5	900	12	980	12.35

Custom production available upon request.

Ýsteđe göre diðer ölçülerde üretim yapýlýr.

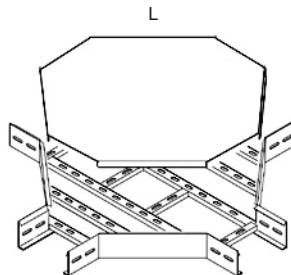
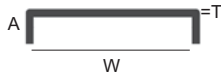
Возможно изготовление продукции на заказ.

GE-DBK

Cover for crossing

Dörtlü bađlantýkapađý

Èrúüèà èràñòííàràziíð ñàècèi



Part No	T	W	A	L	Kg
GE-DBK-10	1	100	12	180	0.29
GE-DBK-15	1	150	12	230	0.47
GE-DBK-20	1	200	12	280	0.69
GE-DBK-25	1	250	12	330	0.96
GE-DBK-30	1	300	12	380	1.27
GE-DBK-40	1.2	400	12	480	2.40
GE-DBK-45	1.2	450	12	530	3.00
GE-DBK-50	1.2	500	12	580	3.60
GE-DBK-60	1.5	600	12	680	6.10
GE-DBK-75	1.5	750	12	830	9.10
GE-DBK-90	1.5	900	12	980	12.70

Custom production available upon request.

Ýsteđe göre diðer ölçülerde üretim yapýlýr.

Возможно изготовление продукции на заказ.

Material options: Stainless steel AISI 304 (L) (A2) / AISI 316 (L) (A4), ST-37-42 Mild Steel, Corten A, Pregalvanized steel, Aluminum
 Finish options : Hot Dip Galvanized to EN 1461, Electrogalvanized to TS 149, Electrostatic Paint Coated, Prime coated
 See material & finish option charts for available product specific selections.

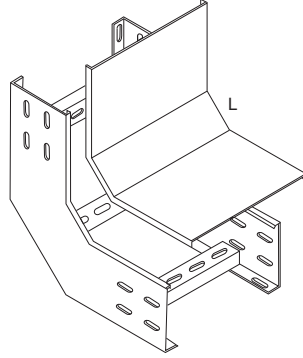
GE-IBK

Cover for inside bend

İç bükey kapağı

Érúèèà áíóòráííáí

ääòèèèèèðííáí óáíèðíèèà



Part No	T	W	A	L	Kg/m
GE-IBK-10	1	100	12	540	0.73
GE-IBK-15	1	150	12	540	1.00
GE-IBK-20	1	200	12	540	1.32
GE-IBK-25	1	250	12	540	1.60
GE-IBK-30	1	300	12	540	1.85
GE-IBK-40	1.2	400	12	540	3.00
GE-IBK-45	1.2	450	12	540	3.30
GE-IBK-50	1.2	500	12	540	3.70
GE-IBK-60	1.5	600	12	540	5.40
GE-IBK-75	1.5	750	12	540	6.75
GE-IBK-90	1.5	900	12	540	8.00

Custom production available upon request.

İsteğe göre diğer ölçülerde üretim yapılır.

Возможно изготовление продукции на заказ.

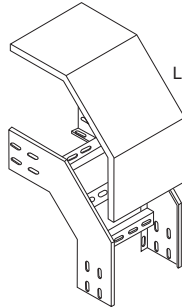
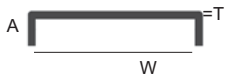
GE-OBK

Cover for outside bend

Dış bükey kapağı

Érúèèà áíèíááí

ääòèèèèèðííáí óáíèðíèèà



Part No	T	W	A	L	Kg/m
GE-OBK-10	1	100	12	540	0.73
GE-OBK-15	1	150	12	540	1.00
GE-OBK-20	1	200	12	540	1.32
GE-OBK-25	1	250	12	540	1.60
GE-OBK-30	1	300	12	540	1.85
GE-OBK-40	1.2	400	12	540	3.00
GE-OBK-45	1.2	450	12	540	3.30
GE-OBK-50	1.2	500	12	540	3.70
GE-OBK-60	1.5	600	12	540	5.40
GE-OBK-75	1.5	750	12	540	6.75
GE-OBK-90	1.5	900	12	540	8.00

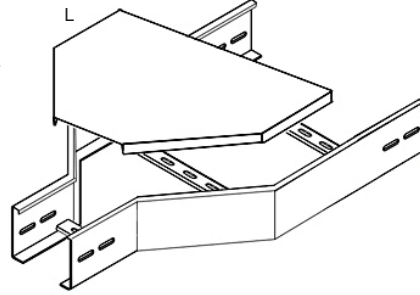
Custom production available upon request.

İsteğe göre diğer ölçülerde üretim yapılır.

Возможно изготовление продукции на заказ.

Material options: Stainless steel AISI 304 (L) (A2) / AISI 316 (L) (A4), ST-37-42 Mild Steel, Corten A, Pregalvanized steel, Aluminum
Finish options : Hot Dip Galvanized to EN 1461, Electrogalvanized to TS 149, Electrostatic Paint Coated, Prime coated
See material & finish option charts for available product specific selections.

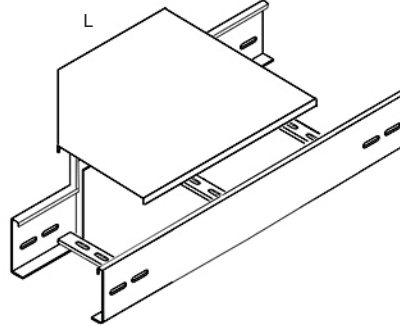
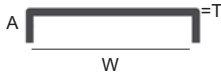
GE-RK
Reducer cover
Redüksiyon kapađý
Érúùèà ráäóéòirà



Part No	T	W	A	L	Kg
GE-RK-10-20	1	100-200	12	70	0.15
GE-RK-10-30	1	100-300	12	110	0.25
GE-RK-10-40	1.2	100-400	12	170	0.50
GE-RK-10-50	1.2	100-500	12	210	0.75
GE-RK-10-60	1.5	100-600	12	260	1.10
GE-RK-10-75	1.5	100-750	12	330	1.70
GE-RK-10-90	1.5	100-900	12	420	2.55

Custom production available upon request.
Ýsteđe göre diđer ölçülerde üretim yapýlýr.
Возможно изготовление продукции на заказ.

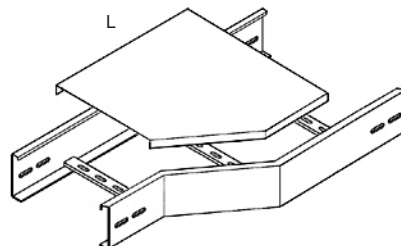
GE-RRK
Right reducer cover
Sađa redüksiyon kapađý
Érúùèà ráäóéòirà



Part No	T	W	A	L	Kg
GE-RRK-10-20	1	100-200	12	70	0.15
GE-RRK-10-30	1	100-300	12	110	0.35
GE-RRK-10-40	1.2	100-400	12	170	0.70
GE-RRK-10-50	1.2	100-500	12	210	1.00
GE-RRK-10-60	1.5	100-600	12	260	1.50
GE-RRK-10-75	1.5	100-750	12	330	2.35
GE-RRK-10-90	1.5	100-900	12	420	3.55

Custom production available upon request.
Ýsteđe göre diđer ölçülerde üretim yapýlýr.
Возможно изготовление продукции на заказ.

GE-RLK
Left reducer cover
Sola redüksiyon kapađý
Érúùèà ráäóéòirà

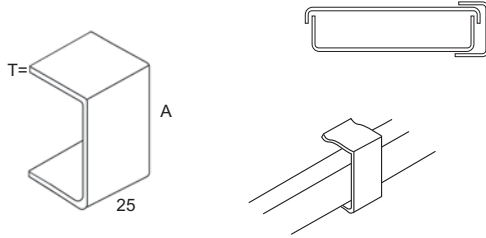


Part No	T	W	A	L	Kg
GE-RLK-10-20	1	100-200	12	70	0.15
GE-RLK-10-30	1	100-300	12	110	0.35
GE-RLK-10-40	1.2	100-400	12	170	0.70
GE-RLK-10-50	1.2	100-500	12	210	1.00
GE-RLK-10-60	1.5	100-600	12	260	1.50
GE-RLK-10-75	1.5	100-750	12	330	2.35
GE-RLK-10-90	1.5	100-900	12	420	3.55

Custom production available upon request.
Ýsteđe göre diđer ölçülerde üretim yapýlýr.
Возможно изготовление продукции на заказ.

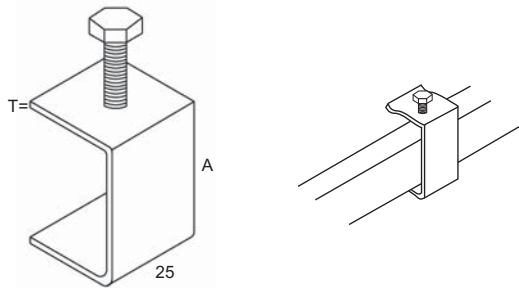
Material options: Stainless steel AISI 304 (L) (A2) / AISI 316 (L) (A4), ST-37-42 Mild Steel, Corten A, Pregalvanized steel, Aluminum
 Finish options : Hot Dip Galvanized to EN 1461, Electrogalvanized to TS 149, Electrostatic Paint Coated, Prime coated
 See material & finish option charts for available product specific selections.

GE-KTKT1
 Side-in cover clamp
 Geçmeli tip kapak kelepçesi
 Sëiaà àëy krüüëà



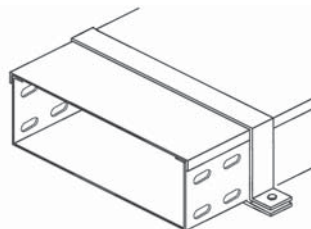
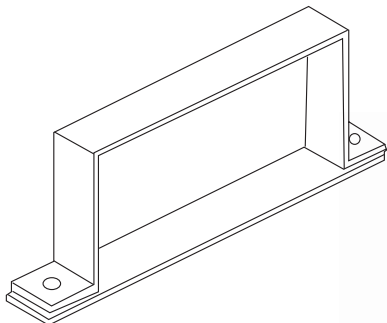
Part No	T	A	Kg
GE-KTKT1-25	1.5	25	0.026
GE-KTKT1-40	1.5	40	0.032
GE-KTKT1-50	1.5	50	0.035
GE-KTKT1-60	1.5	60	0.039
GE-KTKT1-70	1.5	70	0.042
GE-KTKT1-80	2	80	0.060
GE-KTKT1-100	2	100	0.070
GE-KTKT1-125	2	125	0.080
GE-KTKT1-150	2	150	0.090

GE-KTKT2
 Bolted type cover clamp
 Civatalýtip kapak kelepçesi
 Sëiaà àëy krüüëà



Part No	T	A	Kg
GE-KTKT2-25	2	25	0.050
GE-KTKT2-40	2	40	0.060
GE-KTKT2-50	2	50	0.070
GE-KTKT2-60	2	60	0.080
GE-KTKT2-70	2	70	0.090
GE-KTKT2-80	2	80	0.110
GE-KTKT2-100	2	100	0.120
GE-KTKT2-125	2	125	0.130
GE-KTKT2-150	2	150	0.150

GE-KTKT3
 Wrap-around cover clamp
 Kuşaklýtip kapak kelepçesi
 Sëiaà àëy krüüëà



GE-KTKT4
 Peak type wrap-around cover clamp
 Çatýtipi kuşaklýkapak kelepçesi
 Sëiaà àëy krüüëà

