

GERPAAS®

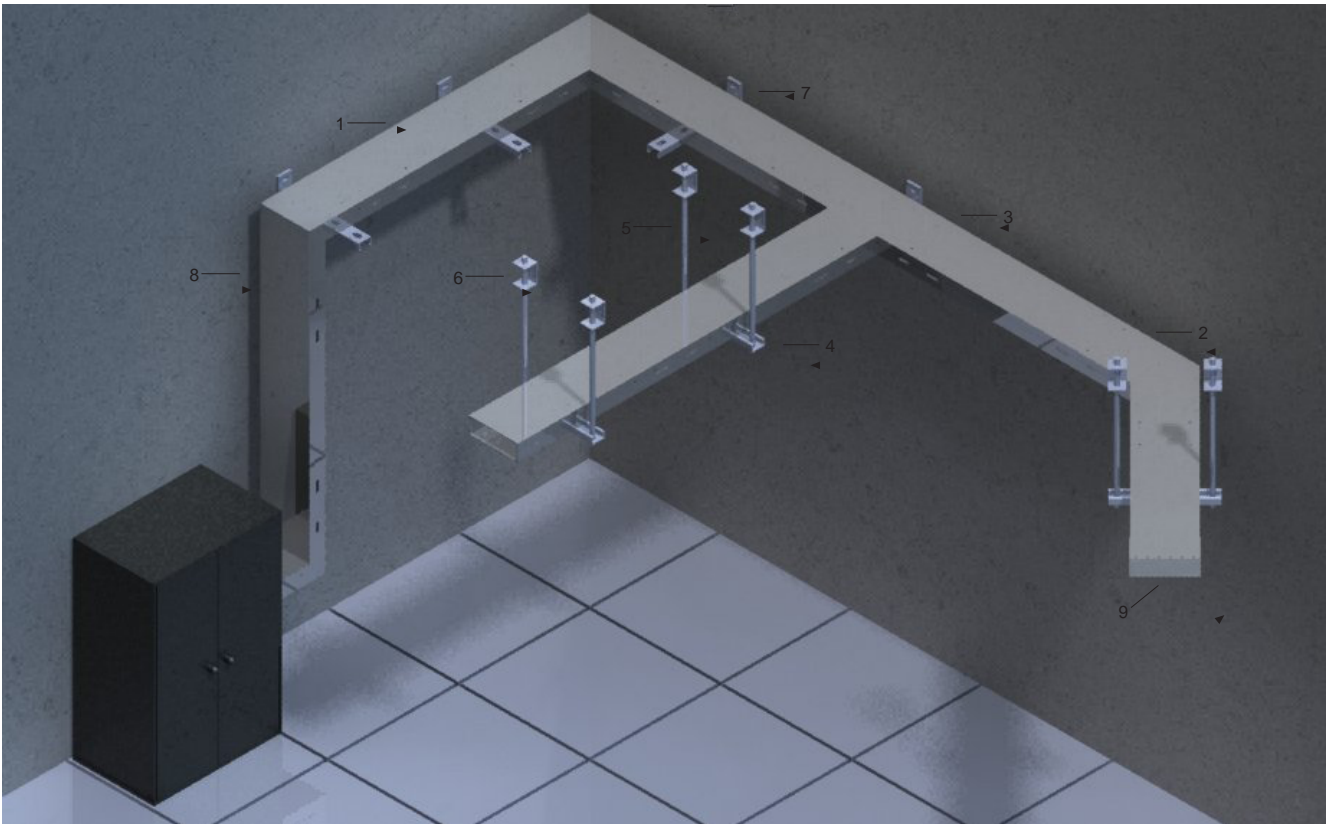
Cable trays
Chemin de câbles
Kabelrinnen
Кабельные лотки
Kablo kanalları



GERPAAAS[®]

Material options: Stainless steel AISI 304 (L) (A2) / AISI 316 (L) (A4), ST-37-42 Mild Steel, Corten A, Pregalvanized steel, Aluminum
 Finish options : Hot Dip Galvanized to EN 1461, Electrogalvanized to TS 149, Electrostatic Paint Coated, Prime coated
 See material & finish option charts for available product specific selections.

Cable Trunkings



- | | |
|------------------|-------------------|
| 1)- GE-TRNK1 | 6)- GE-AE-2 |
| 2)- GE-TRNK1-D45 | 7)- GE-KDC |
| 3)- GE-TRNK1-T | 8)- GE-TRNK1-VB90 |
| 4)- GE-AE-5U | 9)- GE-SON |
| 5)- GE-KAT | |

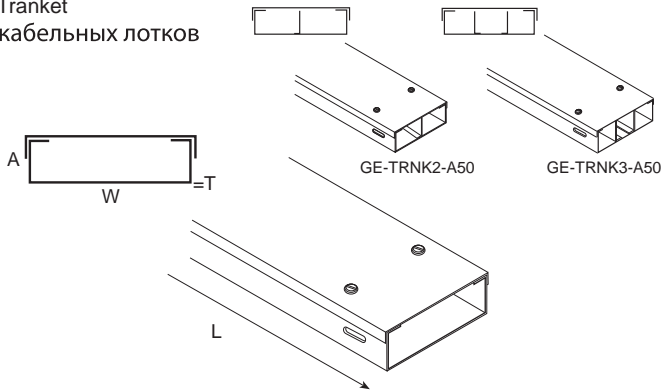


Material options: Stainless steel AISI 304 (L) (A2) / AISI 316 (L) (A4), ST-37-42 Mild Steel, Corten A, Pregalvanized steel, Aluminum
 Finish options : Hot Dip Galvanized to EN 1461, Electrogalvanized to TS 149, Electrostatic Paint Coated, Prime coated
 See material & finish option charts for available product specific selections.

Cable Trunkings

50

GE-TRNK1-A50
 Cable trunking
 Tranket
 кабельных лотков

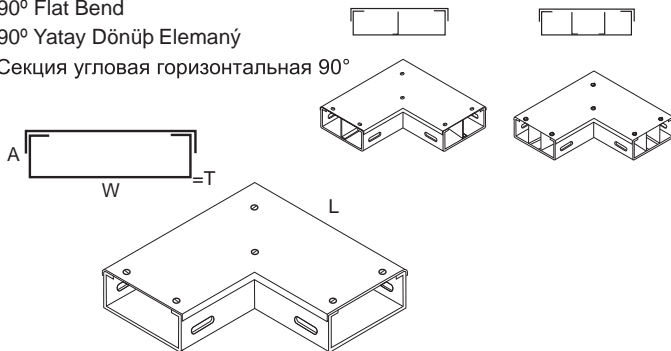


Part No	T	W	A	L	kg/m
GE-TRNK1-5-A50	1.0	50	50	3000	1.85
GE-TRNK1-7-A50	1.2	75	50	3000	2.70
GE-TRNK1-10-A50	1.2	100	50	3000	3.20
GE-TRNK1-15-A50	1.2	150	50	3000	4.00
GE-TRNK1-20-A50	1.5	200	50	3000	6.40
GE-TRNK1-25-A50	1.5	250	50	3000	7.60
GE-TRNK1-30-A50	1.5	300	50	3000	8.80

SS4 SS6 EG HDG

Standard lengths: 3m
 Available in additional lengths upto 5m upon request.
 Perforated with slot holes in 10.3 x 26mm.

GE-TRNK1-D90-A50
 90° Flat Bend
 90° Yatay Dönüş Elemanı
 Секция угловая горизонтальная 90°

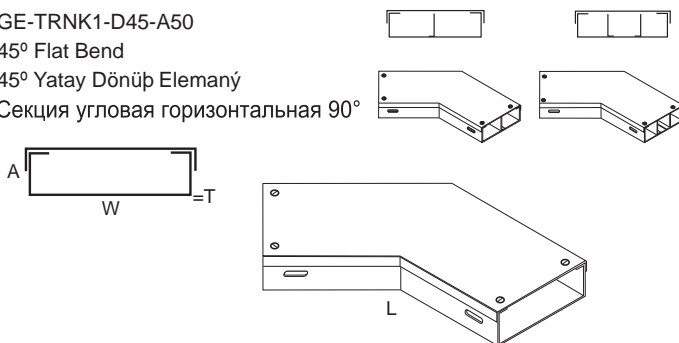


Part No	T	W	A	L	kg
GE-TRNK1-D90-5-A50	1.0	50	50	170	0.55
GE-TRNK1-D90-7-A50	1.2	75	50	195	0.85
GE-TRNK1-D90-10-A50	1.2	100	50	220	1.10
GE-TRNK1-D90-15-A50	1.2	150	50	270	1.60
GE-TRNK1-D90-20-A50	1.5	200	50	320	2.80
GE-TRNK1-D90-25-A50	1.5	250	50	370	3.70
GE-TRNK1-D90-30-A50	1.5	300	50	420	4.75

SS4 SS6 EG HDG

Sample order: GE-TRNK1 D90 5 A15 HDG
 (Series + Product + Width + Height + Finish)

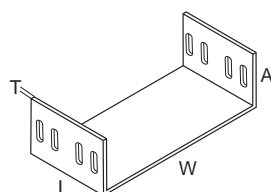
GE-TRNK1-D45-A50
 45° Flat Bend
 45° Yatay Dönüş Elemanı
 Секция угловая горизонтальная 45°



Part No	T	W	A	L	kg
GE-TRNK1-D45-5-A50	1.0	50	50	320	0.60
GE-TRNK1-D45-7-A50	1.2	75	50	350	1.00
GE-TRNK1-D45-10-A50	1.2	100	50	380	1.20
GE-TRNK1-D45-15-A50	1.2	150	50	430	1.70
GE-TRNK1-D45-20-A50	1.5	200	50	480	3.00
GE-TRNK1-D45-25-A50	1.5	250	50	530	4.00
GE-TRNK1-D45-30-A50	1.5	300	50	580	5.10

SS4 SS6 EG HDG

GE-TRNK-EK-50
 Ek Parçası
 Splice Plate
 Связующий элемент



Part No	T	W	A	L	kg
GE-TRNK-EK-5-A50	1.0	50	50	100	0.12
GE-TRNK-EK-7-A50	1.2	75	50	100	0.17
GE-TRNK-EK-10-A50	1.2	100	50	100	0.20
GE-TRNK-EK-15-A50	1.2	150	50	100	0.25
GE-TRNK-EK-20-A50	1.5	200	50	100	0.36
GE-TRNK-EK-25-A50	1.5	250	50	100	0.42
GE-TRNK-EK-30-A50	1.5	300	50	100	0.48

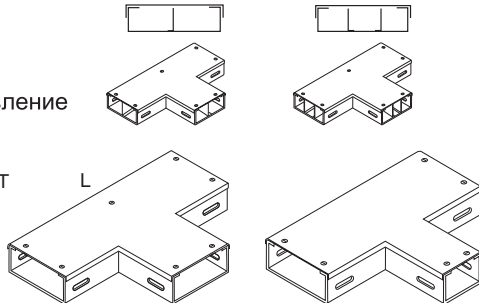
Material options: Stainless steel AISI 304 (L) (A2) / AISI 316 (L) (A4), ST-37-42 Mild Steel, Corten A, Pregalvanized steel, Aluminum
 Finish options : Hot Dip Galvanized to EN 1461, Electrogalvanized to TS 149, Electrostatic Paint Coated, Prime coated
 See material & finish option charts for available product specific selections.

Cable Trunkings

50

GE-TRNK1-T-A50

Tee
 T Elemanı
 T образное азветвление

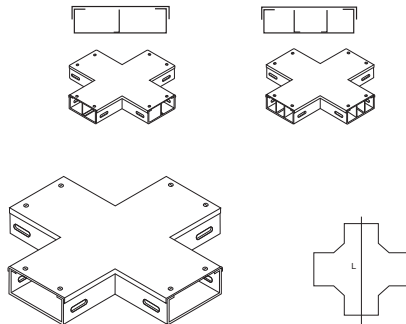


Part No	T	W	A	L	kg
GE-TRNK1-T-5-A50	1.0	50	50	280	0.75
GE-TRNK1-T-7-A50	1.2	75	50	305	1.15
GE-TRNK1-T-10-A50	1.2	100	50	330	1.65
GE-TRNK1-T-15-A50	1.2	150	50	380	2.40
GE-TRNK1-T-20-A50	1.5	200	50	430	4.20
GE-TRNK1-T-25-A50	1.5	250	50	480	5.50
GE-TRNK1-T-30-A50	1.5	300	50	530	7.15

SS4 SS6 EG HDG

GE-TRNK1-DB-A50

Crossing
 Dörtlü Bağlantı Elemanı
 Секция крестообразная

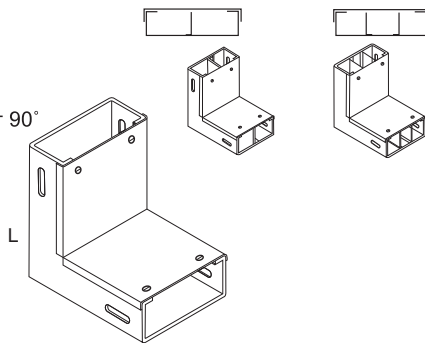


Part No	T	W	A	L	kg
GE-TRNK1-DB-5-A50	1.0	50	50	280	0.95
GE-TRNK1-DB-7-A50	1.2	75	50	305	1.45
GE-TRNK1-DB-10-A50	1.2	100	50	330	2.10
GE-TRNK1-DB-15-A50	1.2	150	50	380	3.00
GE-TRNK1-DB-20-A50	1.5	200	50	430	5.20
GE-TRNK1-DB-25-A50	1.5	250	50	480	6.90
GE-TRNK1-DB-30-A50	1.5	300	50	530	8.90

SS4 SS6 EG HDG

GE-TRNK1-VB90-A50

90° Vertical Bend
 90° Dikey Çukuk elemanı
 Внешний угловой элемент 90°

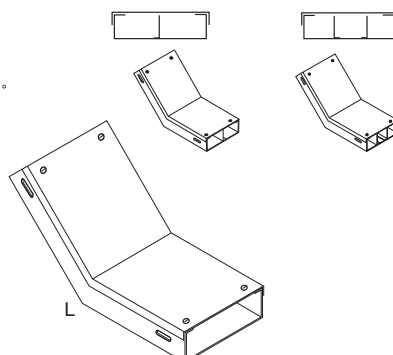
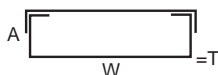


Part No	T	W	A	L	kg
GE-TRNK1-VB90-5-A50	1.0	50	50	200	0.37
GE-TRNK1-VB90-7-A50	1.2	75	50	200	0.54
GE-TRNK1-VB90-10-A50	1.2	100	50	200	0.64
GE-TRNK1-VB90-15-A50	1.2	150	50	200	0.80
GE-TRNK1-VB90-20-A50	1.5	200	50	200	1.30
GE-TRNK1-VB90-25-A50	1.5	250	50	200	1.50
GE-TRNK1-VB90-30-A50	1.5	300	50	200	1.80

SS4 SS6 EG HDG

GE-TRNK1-VB45-A50

45° Vertical Bend
 45° Dikey Çukuk elemanı
 Внешний угловой элемент 45°



Part No	T	W	A	L	kg
GE-TRNK1-VB45-5-A50	1.0	50	50	340	0.65
GE-TRNK1-VB45-7-A50	1.2	75	50	340	0.92
GE-TRNK1-VB45-10-A50	1.2	100	50	340	1.10
GE-TRNK1-VB45-15-A50	1.2	150	50	340	1.40
GE-TRNK1-VB45-20-A50	1.5	200	50	340	2.20
GE-TRNK1-VB45-25-A50	1.5	250	50	340	2.60
GE-TRNK1-VB45-30-A50	1.5	300	50	340	3.00

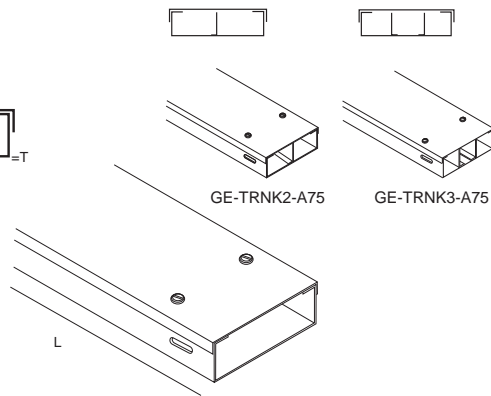
SS4 SS6 EG HDG

Material options: Stainless steel AISI 304 (L) (A2) / AISI 316 (L) (A4), ST-37-42 Mild Steel, Corten A, Pregalvanized steel, Aluminum
 Finish options : Hot Dip Galvanized to EN 1461, Electrogalvanized to TS 149, Electrostatic Paint Coated, Prime coated
 See material & finish option charts for available product specific selections.

Cable Trunkings

75

GE-TRNK1-A75
 Cable trunking
 Tranket
 кабельных лотков

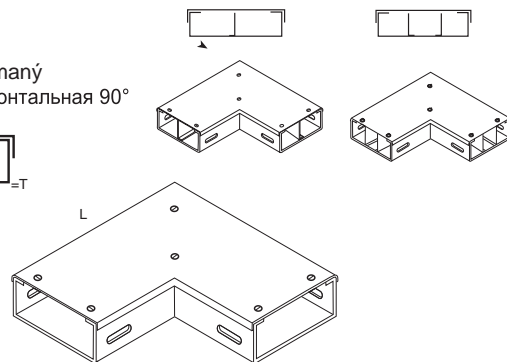


Part No	T	W	A	L	kg/m
GE-TRNK1-7-A75	1.2	75	75	3000	3.20
GE-TRNK1-10-A75	1.2	100	75	3000	3.70
GE-TRNK1-15-A75	1.2	150	75	3000	4.60
GE-TRNK1-20-A75	1.5	200	75	3000	7.00
GE-TRNK1-25-A75	1.5	250	75	3000	8.20
GE-TRNK1-30-A75	1.5	300	75	3000	9.40

SS4 SS6 EG HDG

Standard lengths: 3m
 Available in additional lengths upto 5m upon request.
 Perforated with slot holes in 10.3 x 26mm.

GE-TRNK1-D90-A75
 90° Flat Bend
 90° Yatay Dönüş Elemanı
 Секция угловая горизонтальная 90°

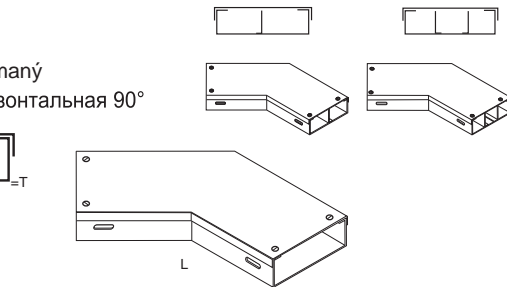


Part No	T	W	A	L	kg
GE-TRNK1-D90-7-A75	1.2	75	75	195	1.00
GE-TRNK1-D90-10-A75	1.2	100	75	220	1.30
GE-TRNK1-D90-15-A75	1.2	150	75	270	1.80
GE-TRNK1-D90-20-A75	1.5	200	75	320	3.10
GE-TRNK1-D90-25-A75	1.5	250	75	370	4.00
GE-TRNK1-D90-30-A75	1.5	300	75	420	5.10

SS4 SS6 EG HDG

Sample order: GE-TRNK1 D90 5 A75 HDG
 (Series + Product +Width + Height + Finish)

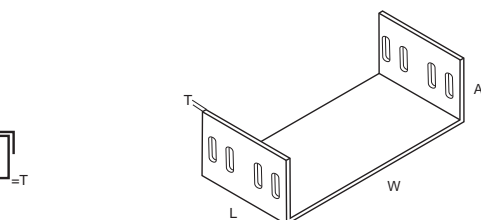
GE-TRNK1-D45-A75
 45° Flat Bend
 45° Yatay Dönüş Elemanı
 Секция угловая горизонтальная 45°



Part No	T	W	A	L	kg
GE-TRNK1-D45-7-A75	1.2	75	75	350	1.15
GE-TRNK1-D45-10-A75	1.2	100	75	380	1.40
GE-TRNK1-D45-15-A75	1.2	150	75	430	2.00
GE-TRNK1-D45-20-A75	1.5	200	75	480	3.40
GE-TRNK1-D45-25-A75	1.5	250	75	530	4.35
GE-TRNK1-D45-30-A75	1.5	300	75	580	5.50

SS4 SS6 EG HDG

GE-TRNK-EK-75
 Splice Plate
 Ek Parçası
 Связующий элемент



Part No	T	W	A	L	kg
GE-TRNK-EK-7-A75	1.2	75	75	100	0.22
GE-TRNK-EK-10-A75	1.2	100	75	100	0.25
GE-TRNK-EK-15-A75	1.2	150	75	100	0.30
GE-TRNK-EK-20-A75	1.5	200	75	100	0.42
GE-TRNK-EK-25-A75	1.5	250	75	100	0.48
GE-TRNK-EK-30-A75	1.5	300	75	100	0.54

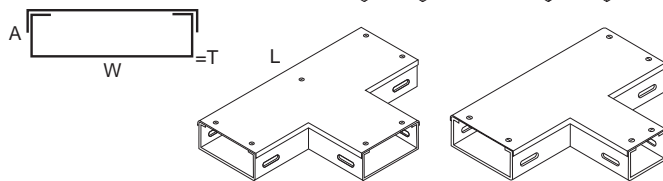
Material options: Stainless steel AISI 304 (L) (A2) / AISI 316 (L) (A4), ST-37-42 Mild Steel, Corten A, Pregalvanized steel, Aluminum
 Finish options : Hot Dip Galvanized to EN 1461, Electrogalvanized to TS 149, Electrostatic Paint Coated, Prime coated
 See material & finish option charts for available product specific selections.

Cable Trunkings

75

GE-TRNK1-T-A75

Tee
 T Elemanı
 T образное азветвление

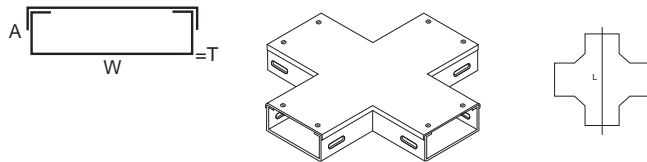


Part No	T	W	A	L	kg
GE-TRNK1-T-7-A75	1.2	75	75	305	1.50
GE-TRNK1-T-10-A75	1.2	100	75	330	1.95
GE-TRNK1-T-15-A75	1.2	150	75	380	2.70
GE-TRNK1-T-20-A75	1.5	200	75	430	4.65
GE-TRNK1-T-25-A75	1.5	250	75	480	6.00
GE-TRNK1-T-30-A75	1.5	300	75	530	7.65

SS4 SS6 EG HDG

GE-TRNK1-DB-A75

Crossing
 Dörtlü Bağlantı Elemanı
 Секция крестообразная

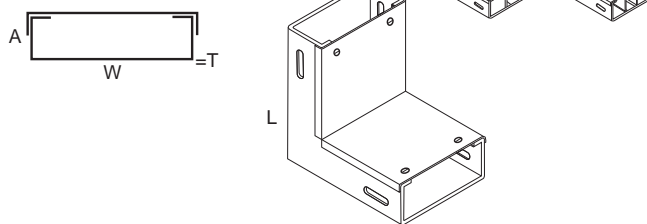


Part No	T	W	A	L	kg
GE-TRNK1-DB-7-A75	1.2	75	75	305	1.90
GE-TRNK1-DB-10-A75	1.2	100	75	330	2.40
GE-TRNK1-DB-15-A75	1.2	150	75	380	3.40
GE-TRNK1-DB-20-A75	1.5	200	75	430	5.80
GE-TRNK1-DB-25-A75	1.5	250	75	480	7.50
GE-TRNK1-DB-30-A75	1.5	300	75	530	9.60

SS4 SS6 EG HDG

GE-TRNK1-VB90-A75

90° Vertical Bend
 90° Dikey Çukur elemanı
 Внешний угловой элемент 90°

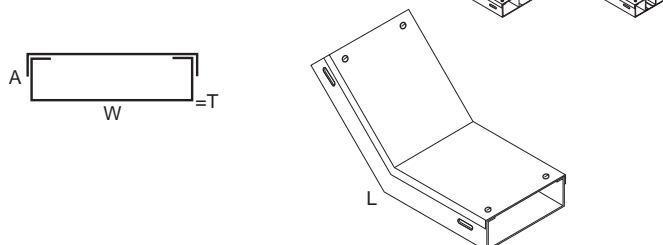


Part No	T	W	A	L	kg
GE-TRNK1-VB90-7-A75	1.2	75	75	200	0.65
GE-TRNK1-VB90-10-A75	1.2	100	75	200	0.75
GE-TRNK1-VB90-15-A75	1.2	150	75	200	0.90
GE-TRNK1-VB90-20-A75	1.5	200	75	200	1.40
GE-TRNK1-VB90-25-A75	1.5	250	75	200	1.70
GE-TRNK1-VB90-30-A75	1.5	300	75	200	2.00

SS4 SS6 EG HDG

GE-TRNK1-VB45-A75

45° Vertical Bend
 45° Dikey Çukur elemanı
 Внешний угловой элемент 45°



Part No	T	W	A	L	kg
GE-TRNK1-VB45-7-A75	1.2	75	75	340	1.10
GE-TRNK1-VB45-10-A75	1.2	100	75	340	1.30
GE-TRNK1-VB45-15-A75	1.2	150	75	340	1.60
GE-TRNK1-VB45-20-A75	1.5	200	75	340	2.40
GE-TRNK1-VB45-25-A75	1.5	250	75	340	2.80
GE-TRNK1-VB45-30-A75	1.5	300	75	340	3.20

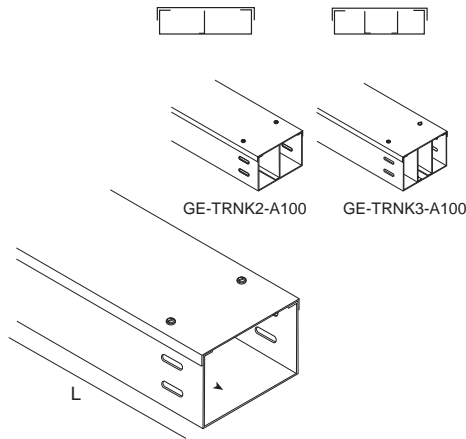
SS4 SS6 EG HDG

Material options: Stainless steel AISI 304 (L) (A2) / AISI 316 (L) (A4), ST-37-42 Mild Steel, Corten A, Pregalvanized steel, Aluminum
 Finish options : Hot Dip Galvanized to EN 1461, Electrogalvanized to TS 149, Electrostatic Paint Coated, Prime coated
 See material & finish option charts for available product specific selections.

Cable Trunkings

100

GE-TRNK1-A100
 Cable trunking
 Tranket
 кабельных лотков

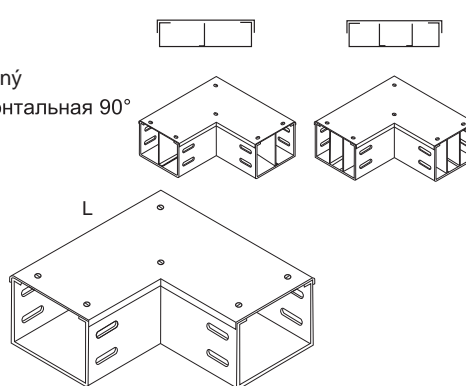


Part No	T	W	A	L	kg/m
GE-TRNK1-10-A100	1.2	100	100	3000	4.15
GE-TRNK1-15-A100	1.2	150	100	3000	5.10
GE-TRNK1-20-A100	1.5	200	100	3000	7.60
GE-TRNK1-25-A100	1.5	250	100	3000	8.80
GE-TRNK1-30-A100	1.5	300	100	3000	10.00

SS4 SS6 EG HDG

Standard lengths: 3m
 Available in additional lengths upto 5m upon request.
 Perforated with slot holes in 10.3 x 26mm.

GE-TRNK1-D90-A100
 90° Flat Bend
 90° Yatay Dönüş Elemanı
 Секция угловая горизонтальная 90°

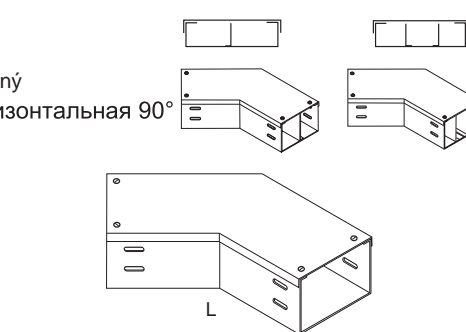


Part No	T	W	A	L	kg
GE-TRNK1-D90-10-A100	1.2	100	100	220	1.40
GE-TRNK1-D90-15-A100	1.2	150	100	270	2.00
GE-TRNK1-D90-20-A100	1.5	200	100	320	3.40
GE-TRNK1-D90-25-A100	1.5	250	100	370	4.30
GE-TRNK1-D90-30-A100	1.5	300	100	420	5.40

SS4 SS6 EG HDG

Sample order: GE-TRNK1 D90 5 A100 HDG
 (Series + Product +Width + Height + Finish)

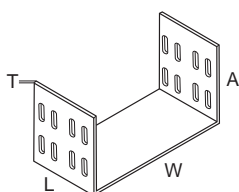
GE-TRNK1-D45-A100
 45° Flat Bend
 45° Yatay Dönüş Elemanı
 Секция угловая горизонтальная 90°



Part No	T	W	A	L	kg
GE-TRNK1-D45-10-A100	1.2	100	100	380	1.60
GE-TRNK1-D45-15-A100	1.2	150	100	430	2.20
GE-TRNK1-D45-20-A100	1.5	200	100	480	3.70
GE-TRNK1-D45-25-A100	1.5	250	100	530	4.60
GE-TRNK1-D45-30-A100	1.5	300	100	580	5.80

SS4 SS6 EG HDG

GE-TRNK-EK-100
 Ek Parçası
 Splice Plate
 Связующий элемент



Part No	T	W	A	L	kg
GE-TRNK-EK-10-A100	1.2	100	100	100	0.30
GE-TRNK-EK-15-A100	1.2	150	100	100	0.35
GE-TRNK-EK-20-A100	1.5	200	100	100	0.48
GE-TRNK-EK-25-A100	1.5	250	100	100	0.54
GE-TRNK-EK-30-A100	1.5	300	100	100	0.60

SS4 SS6 EG HDG

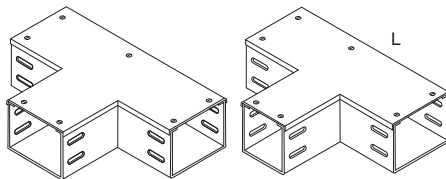
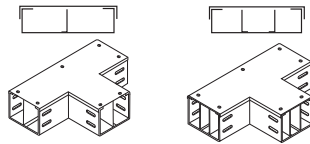
Material options: Stainless steel AISI 304 (L) (A2) / AISI 316 (L) (A4), ST-37-42 Mild Steel, Corten A, Pregalvanized steel, Aluminum
 Finish options : Hot Dip Galvanized to EN 1461, Electrogalvanized to TS 149, Electrostatic Paint Coated, Prime coated
 See material & finish option charts for available product specific selections.

Cable Trunkings

100

GE-TRNK1-T-A100

Tee
 T Elemanı
 T образное азветвление

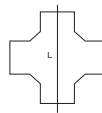
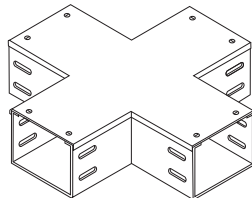
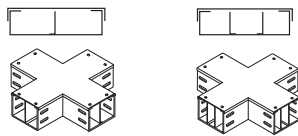


Part No	T	W	A	L	kg
GE-TRNK1-T-10-A100	1.2	100	100	330	2.10
GE-TRNK1-T-15-A100	1.2	150	100	380	3.00
GE-TRNK1-T-20-A100	1.5	200	100	430	5.10
GE-TRNK1-T-25-A100	1.5	250	100	480	6.45
GE-TRNK1-T-30-A100	1.5	300	100	530	8.10

SS4 SS6 EG HDG

GE-TRNK1-DB-A100

Crossing
 Dörtlü Bağlantı Elemanı
 Секция крестообразная

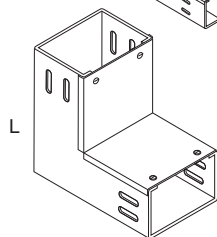
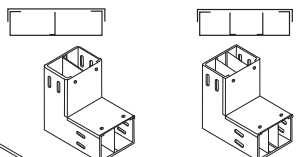


Part No	T	W	A	L	kg
GE-TRNK1-DB-10-A100	1.2	100	100	330	2.60
GE-TRNK1-DB-15-A100	1.2	150	100	380	3.75
GE-TRNK1-DB-20-A100	1.5	200	100	430	6.40
GE-TRNK1-DB-25-A100	1.5	250	100	480	8.00
GE-TRNK1-DB-30-A100	1.5	300	100	530	10.00

SS4 SS6 EG HDG

GE-TRNK1-VB90-A100

90° Vertical Bend
 90° Dikey Çukur elemanı
 Внешний угловой элемент 90°

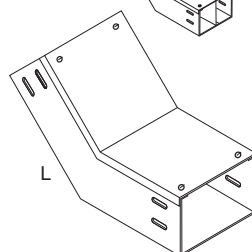
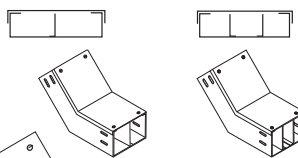
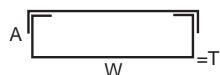


Part No	T	W	A	L	kg
GE-TRNK1-VB90-10-A100	1.2	100	100	200	0.83
GE-TRNK1-VB90-15-A100	1.2	150	100	200	1.00
GE-TRNK1-VB90-20-A100	1.5	200	100	200	1.50
GE-TRNK1-VB90-25-A100	1.5	250	100	200	1.80
GE-TRNK1-VB90-30-A100	1.5	300	100	200	2.10

SS4 SS6 EG HDG

GE-TRNK1-VB45-A100

45° Vertical Bend
 45° Dikey Çukur elemanı
 Внешний угловой элемент 45°



Part No	T	W	A	L	kg
GE-TRNK1-VB45-10-A100	1.2	100	100	340	1.40
GE-TRNK1-VB45-15-A100	1.2	150	100	340	1.75
GE-TRNK1-VB45-20-A100	1.5	200	100	340	2.60
GE-TRNK1-VB45-25-A100	1.5	250	100	340	3.00
GE-TRNK1-VB45-30-A100	1.5	300	100	340	3.40

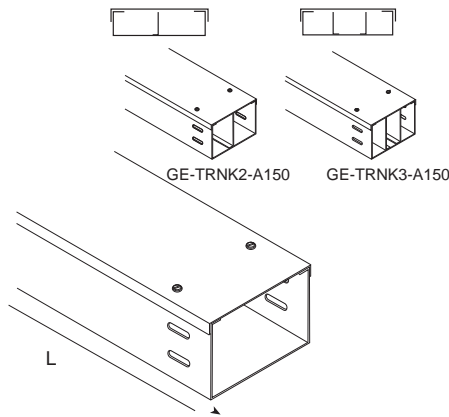
SS4 SS6 EG HDG

Material options: Stainless steel AISI 304 (L) (A2) / AISI 316 (L) (A4), ST-37-42 Mild Steel, Corten A, Pregalvanized steel, Aluminum
 Finish options : Hot Dip Galvanized to EN 1461, Electrogalvanized to TS 149, Electrostatic Paint Coated, Prime coated
 See material & finish option charts for available product specific selections.

Cable Trunkings

150

GE-TRNK1-A150
 Cable trunking
 Tranket
 кабельных лотков

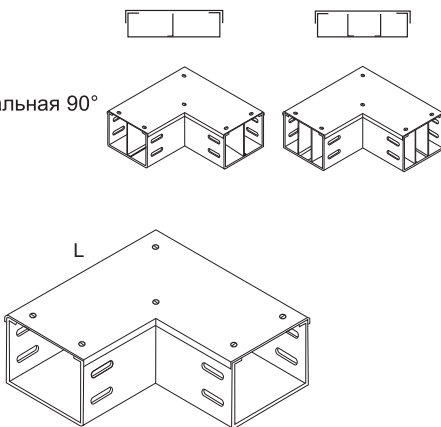


Part No	T	W	A	L	kg/m
GE-TRNK1-15-A150	1.2	150	150	3000	6.05
GE-TRNK1-20-A150	1.5	200	150	3000	8.80
GE-TRNK1-25-A150	1.5	250	150	3000	10.00
GE-TRNK1-30-A150	1.5	300	150	3000	11.20

SS4 SS6 EG HDG

Standard lengths: 3m
 Available in additional lengths upto 5m upon request.
 Perforated with slot holes in 10.3 x 26mm.

GE-TRNK1-D90-A150
 90° Flat Bend
 90° Yatay Dönüş Elemanı
 Секция угловая горизонтальная 90°

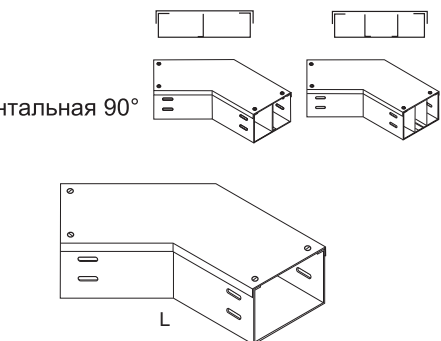


Part No	T	W	A	L	kg
GE-TRNK1-D90-15-A150	1.2	150	150	270	2.40
GE-TRNK1-D90-20-A150	1.5	200	150	320	3.90
GE-TRNK1-D90-25-A150	1.5	250	150	370	5.00
GE-TRNK1-D90-30-A150	1.5	300	150	420	6.10

SS4 SS6 EG HDG

Sample order: GE-TRNK1 D90 5 A150 HDG
 (Series + Product + Width + Height + Finish)

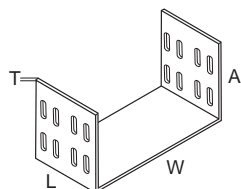
GE-TRNK1-D45-A150
 45° Flat Bend
 45° Yatay Dönüş Elemanı
 Секция угловая горизонтальная 90°



Part No	T	W	A	L	kg
GE-TRNK1-D45-15-A150	1.2	150	150	430	2.60
GE-TRNK1-D45-20-A150	1.5	200	150	480	4.25
GE-TRNK1-D45-25-A150	1.5	250	150	530	5.30
GE-TRNK1-D45-30-A150	1.5	300	150	580	6.50

SS4 SS6 EG HDG

GE-TRNK-EK-150
 Ek Parçası
 Splice Plate
 Связующий элемент



Part No	T	W	A	L	kg
GE-TRNK-EK-15-A150	1.2	150	150	100	0.45
GE-TRNK-EK-20-A150	1.5	200	150	100	0.60
GE-TRNK-EK-25-A150	1.5	250	150	100	0.70
GE-TRNK-EK-30-A150	1.5	300	150	100	0.72

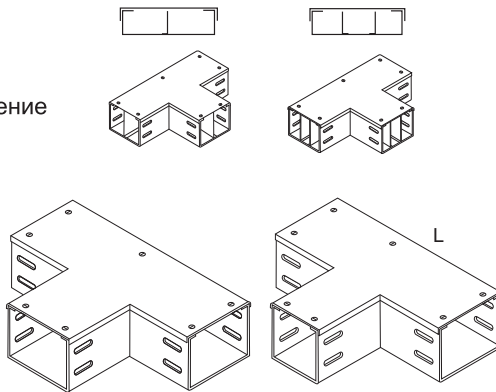
Material options: Stainless steel AISI 304 (L) (A2) / AISI 316 (L) (A4), ST-37-42 Mild Steel, Corten A, Pregalvanized steel, Aluminum
 Finish options : Hot Dip Galvanized to EN 1461, Electro galvanized to TS 149, Electrostatic Paint Coated, Prime coated
 See material & finish option charts for available product specific selections.

Cable Trunkings

150

GE-TRNK1-T-A150

Tee
 T Elemanı
 T образное азветвление

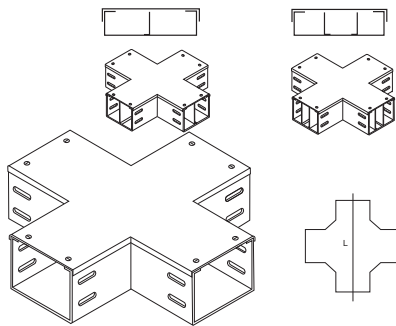


Part No	T	W	A	L	kg
GE-TRNK1-T-15-A150	1.2	150	150	380	3.60
GE-TRNK1-T-20-A150	1.5	200	150	430	5.90
GE-TRNK1-T-25-A150	1.5	250	150	480	7.50
GE-TRNK1-T-30-A150	1.5	300	150	530	9.00

SS4 SS6 EG HDG

GE-TRNK1-DB-A150

Crossing
 Dörtlü Bağlantı Elemanı
 Секция крестообразная

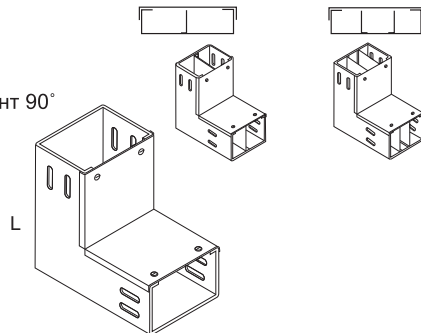


Part No	T	W	A	L	kg
GE-TRNK1-DB-15-A150	1.2	150	150	380	4.50
GE-TRNK1-DB-20-A150	1.5	200	150	430	7.40
GE-TRNK1-DB-25-A150	1.5	250	150	480	9.30
GE-TRNK1-DB-30-A150	1.5	300	150	530	11.25

SS4 SS6 EG HDG

GE-TRNK1-VB90-A150

90° Vertical Bend
 90° Dikey Çukur elemanı
 Внешний угловой элемент 90°

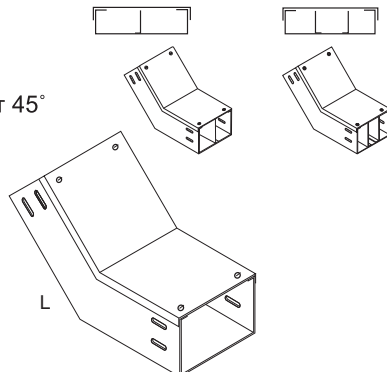


Part No	T	W	A	L	kg
GE-TRNK1-VB90-15-A150	1.2	150	150	200	1.20
GE-TRNK1-VB90-20-A150	1.5	200	150	200	1.80
GE-TRNK1-VB90-25-A150	1.5	250	150	200	2.00
GE-TRNK1-VB90-30-A150	1.5	300	150	200	2.25

SS4 SS6 EG HDG

GE-TRNK1-VB45-A150

45° Vertical Bend
 45° Dikey Çukur elemanı
 Внешний угловой элемент 45°



Part No	T	W	A	L	kg
GE-TRNK1-VB45-15-A150	1.2	150	150	340	2.00
GE-TRNK1-VB45-20-A150	1.5	200	150	340	3.00
GE-TRNK1-VB45-25-A150	1.5	250	150	340	3.40
GE-TRNK1-VB45-30-A150	1.5	300	150	340	3.80

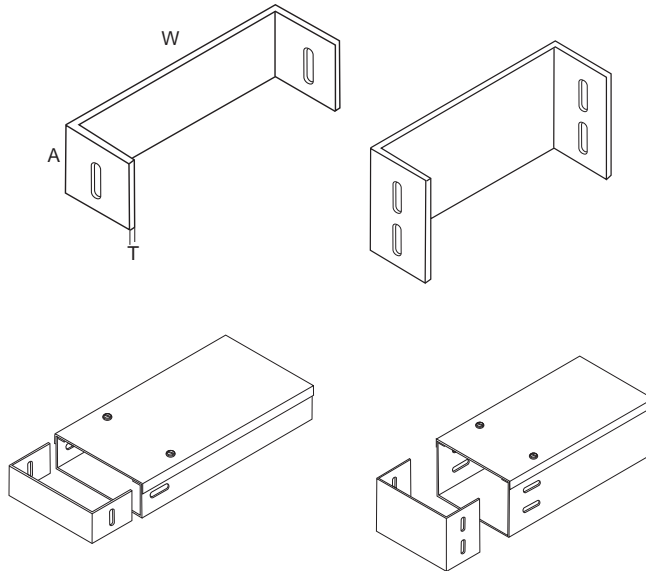
SS4 SS6 EG HDG

Material options: Stainless steel AISI 304 (L) (A2) / AISI 316 (L) (A4), ST-37-42 Mild Steel, Corten A, Pregalvanized steel, Aluminum
 Finish options : Hot Dip Galvanized to EN 1461, Electrogalvanized to TS 149, Electrostatic Paint Coated, Prime coated
 See material & finish option charts for available product specific selections.

Cable Trunkings

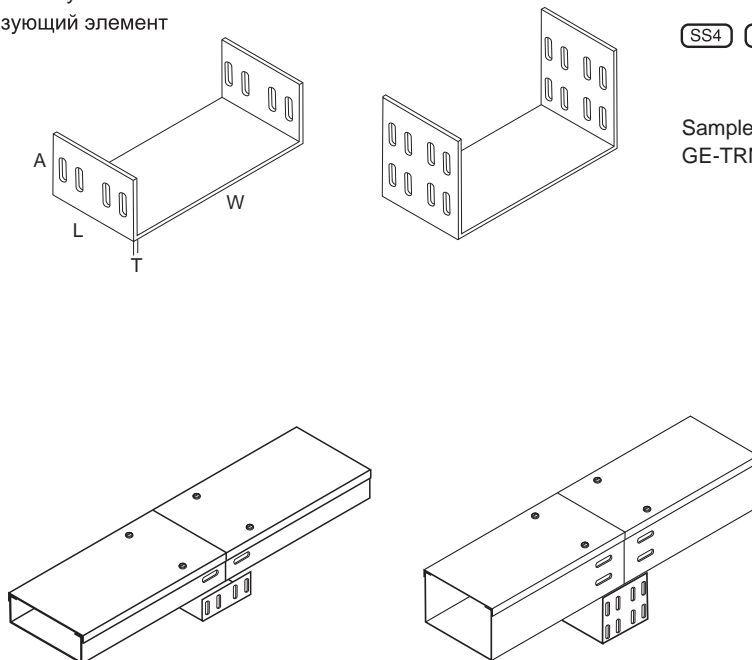
200

GE-TRNK-SON
 End Plate
 Sonlandırma Elemanı
 Единица конца



Part No	T	W	A	kg
GE-TRNK-SON-5-A50	1	50	50	0.06
GE-TRNK-SON-7-A50	1	75	50	0.07
GE-TRNK-SON-10-A50	1	100	50	0.08
GE-TRNK-SON-15-A50	1	150	50	0.10
GE-TRNK-SON-20-A50	1	200	50	0.12
GE-TRNK-SON-25-A50	1	250	50	0.14
GE-TRNK-SON-30-A50	1	300	50	0.16
GE-TRNK-SON-7-A75	1.2	75	75	0.13
GE-TRNK-SON-10-A75	1.2	100	75	0.15
GE-TRNK-SON-15-A75	1.2	150	75	0.18
GE-TRNK-SON-20-A75	1.2	200	75	0.22
GE-TRNK-SON-25-A75	1.2	250	75	0.26
GE-TRNK-SON-30-A75	1.2	300	75	0.29
GE-TRNK-SON-7-A100	1.2	75	100	0.18
GE-TRNK-SON-10-A100	1.2	100	100	0.20
GE-TRNK-SON-15-A100	1.2	150	100	0.25
GE-TRNK-SON-20-A100	1.2	200	100	0.30
GE-TRNK-SON-25-A100	1.2	250	100	0.35
GE-TRNK-SON-30-A100	1.2	300	100	0.40
GE-TRNK-SON-15-A150	1.2	150	150	0.45
GE-TRNK-SON-20-A150	1.5	200	150	0.54
GE-TRNK-SON-25-A150	1.5	250	150	0.65
GE-TRNK-SON-30-A150	1.5	300	150	0.72

GE-TRNK-EK
 Connector
 Ek Elemanı
 Связующий элемент



SS4 SS6 EG HDG

Sample order:
 GE-TRNK-EK-WIDTH-HEIGHT-FINISH