

Our company was founded in 1991 and today has become one of the most reliable manufacturers in Turkey as well as in the world exporting to over 50 countries.

Our service is not only the considerable availability of a wide range of items in our production range and the timely dispatch of the purchase orders, but it also consists of technical and commercial assistance together with care and attention to our customers' needs.

Firmamız 1991 yılında kurulmuş olup günümüzde 50'yi aşkın ülkeye yaptığı ihracat performansı ile Türkiye'nin ve dünyanın en köklü firmalarından birisi haline gelmiştir.

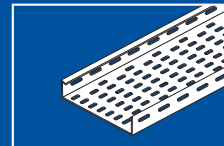
Müşterilerimize sunduğumuz hizmetler geniş ürün portföyümüz ve zamanında teslimatlarla sınırlı kalmayıp aynı zamanda teknik ve ticari konularda destek vermektir.

Наша компания была основана в 1991 году и сегодня стала одним из самых надежных производителей в Турции, а также в мире экспорт в более чем 50 странах.

Наша услуга является не только значительное наличие широкого ассортимента товаров в нашем ассортимент продукции и своевременную отправку заказов на покупку, однако оно также включает техническую и коммерческую поддержку, а также заботу и внимание к потребностям наших клиентов.

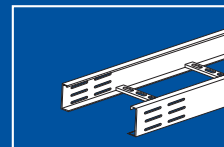
GERPAAAS[®]

Cable trays
Kablo kanallar
Легкая долг кабельных лотков



01

Cable ladders
Kablo merdiveni
Лестничный лоток



67

Wire mesh cable tray
Tel kanal
Проволочные кабельные лотки



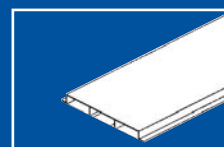
117

Cable trunking
Kablo trunketi
кабельных лотков



122

Underfloor cable ducting system
Döşeme altı kablo kanalı
Под полы кабельных лотков



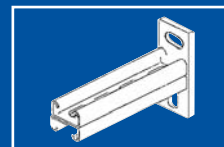
132

Marine type
Gemi tipi
Морского типа



139

Support systems
Destek sistemleri
Поддержка систем



153

Accessories
Aksesuarlar
Электрические аксессуары



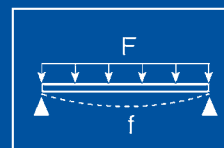
223

Enclosures
Panolar
Электрические щиты



226

Technical
Teknik
Технический



235



GERPAAS - Cable Management Systems

GERPAAS® cable management systems meet the industry standards in over 50 countries at competitive prices. We are characterized by our expertise and vast know-how in manufacturing metallic products for the electrical and construction industries.



Diverse Range in Cable Trays

GERPAAS cable tray dimensions are available up to 1000 mm widths and 15 to 100 mm in side heights.



GERPAAS - Kablo Taşıma Sistemleri

GERPAAS® kablo taşıma sistemleri yüksek kalite ürünleri ve rekabetçi fiyatlarıyla 50'ı aşkın ülkede standartları karşılayarak müşterilerine kalıcı çözümler sunuyor. Metal işleme konusundaki tecrübemiz ve bilgi birikimimiz ile tanınan firmamız elektrik ve inşaat sektörlerine hitap etmektedir.



Zengin Ürün Çeşitliliği

GERPAAS kablo taşıyıcıları geniş ölçü aralığında üretilmektedir. Standart genişlik aralığı 50-1000mm, kenar yüksekliği ise 15-150mm'dir. istenilen ölçülerde üretim yapılmaktadır.



Welding Works

Our in-house facilities include MIG/MAG welding works. GERPAAS wire mesh cable trays are also manufactured in automated welding machinery.



GERPAAS - Кабельные Системы управления

GERPAAS® кабельных систем управления отвечает отраслевым стандартам в более чем 50 странах по конкурентоспособным ценам. Мы отличаемся от наших специалистов и огромный ноу-хау в производстве металлических изделий для электротехнической и строительной отраслях.



Кабельные лотки в различных вариантах

GERPAAS Размеры кабельных лотков доступны до 1000 мм шириной, как в оцинкованной и нержавеющей стали и отделкой варианты. Также доступны высот стороне имеются в 15- 100 millimeters.





STANDARDS

GERPAAS® cable management products are offered in stainless steel, galvanized steel, mild steel and aluminium materials in compliance with ISO EN, CE, GOST-R standards. Hot dip galvanizing and epoxy powder finishes are also provided as per requirements.



СТАНДАРТЫ

GERPAAS® кабеля управления продукт предлагается в нержавеющей стали, алюминия и оцинкованной стали параметры в соответствии с EN ISO, ГОСТ-Р, CE стандарты.

STANDARTLAR

GERPAAS® kablo taşıyıcıları paslanmaz çelik, siyah çelik, galvanizli çelik ve alüminyum malzeme seçenekleri ve sıcak daldırma galvaniz, elektrostatik fırın boya ve antipas boya seçenekleri ile sunulmaktadır. Üretilen malzemeler ISO EN, GOST-R, CE standartlarına uygun ve korozyona dayanıklıdır.



GERPAAS[®]

E90



GERPAAS® has successfully implemented a Quality Management System in accordance with ISO 9001:2000 international standard and certified by UKAS (United Kingdom Accreditation Services,) DAS Certification Body since 2004.

GERPAAS® olarak, 2004 yılında ISO 9001:2000 standartına uygun Kalite Yönetim Sistemini başarılı bir şekilde uygulamaya koymuş ve UKAS'a bağlı DAS Belgelendirme Hizmetleri tarafından ISO 9001 belgesine sahip olmuştur.

GERPAAS® успешно внедрила систему менеджмента качества в соответствии с международного стандарта ИСО 9001:2000 и сертифицирована UKAS DAS органа по сертификации с 2004 года.



DAS CERTIFICATION



Quality Management System
Certificate of Approval

This is to certify that the Quality Management System of:

GERPA ELEKTRİK TEKSTİL
SAN. VE TİC. A.Ş.

Tuzla Organize Deri Sanayi Bölgesi 1.Yol No: 40 H11 Parsel Tuzla
İSTANBUL - TÜRKİYE

Has been assessed and found to meet the requirements of:

ISO 9001:2008

The certificate is valid for the following scope of operation from 26.06.2015-16.06.2018 and remains valid subject to satisfactory surveillance audits:

Manufacture of cable carriers systems, grounding equipments and
facing anchorage equipments

Exclusion: 7.3

Date of Issue:

26.06.2015

Date of Validity:

16.06.2016

Certificate Number:

TR 01-2451

Authorized

Date: 26.06.2015



info@dasturkey.com www.dasturkey.com

GERPAAS®

WE EXPORT TO OVER 50 COUNTRIES

Due to our international expansion in the past few years GERPAAS today plays a key role in the region exporting its products to more than 50 countries worldwide. As a global exporter, we also offer integrated solutions to our clients with land, sea and air transportation options.



50 DEN FAZLA ÜLKEYE İHRACAT

Son yıllardaki yurtdışı çalışmalarımız neticesinde GERPAAS markası bugün 50'nin üzerinde ülkeye ihracat yapan önemli bir uluslararası üretici olmuştur. ihracatlarımızda müşteri ihtiyaçlarına uygun kara, deniz ve hava nakliye seçenekleri ile ihracat yapmaktayız.

Мы экспортируем в более чем 50 странах

GERPAAS экспортирует продукцию в 50 стран по всему миру, и мы призваны сыграть важную роль в регионе в связи с недавней международной экспансии. Как компания-экспортер, мы предлагаем наземным, воздушным и морским транспортом ссылок для наших клиентов.





GERPAAS[®]



www.gerpaas.com



	<p>Project: Abu Dhabi Plaza by Arabtec & CCC Location: Astana, Kazakhstan Year: 2014 - 2015 Scope of products: Mechanical support systems</p>
	<p>Project: Siemens Germencik Geothermal Power Plant Project Location: Turkey Year: 2014 - 2015 Scope of products: Cable tray systems, mechanical supports</p>
	<p>Project: Siemens Kemaliye Geothermal Power Plant Project Location: Turkey Year: 2015 Scope of products: Cable tray systems, mechanical supports</p>
	<p>Project: Tengiz Chevron Crude Oil, TCO Location: Kazakhstan Year: 2011 Scope of products: Cable tray systems, Earthing products</p>
	<p>Project: Gebze 850 MW Combined Cycle Power Plant Location: Gebze, Turkey Year: 2013 - 2014 Scope of products: Cable tray systems, earthing materials and HVAC fixings and instrumentation supports</p>
	<p>Project: STAR Refinery, Socar Location: Izmir, Turkey Year: 2015 Scope of products: Cable tray systems</p>
	<p>Project: Al Dwaniya Gas Power Project, Min. of Electricity of Iraq Location: Iraq Year: 2014 Scope of products: Cable tray systems</p>
	<p>Project: Turkmenbashi Oil Processing Complex of Turkmenistan Location: Balkanabad, Turkmenistan Year: 2014 - 2015 Scope of products: Cable tray systems & Earthing products</p>

REFERENCES



Project: USA Embassy
 Location: Jeddah - Saudi Arabia
 Year: 2014 - 2015
 Scope of products: Mechanical fixing systems



Project: Les Nef National Uranium Enrichment Plant
 Location: United States of America, New Mexico
 Year: 2008-2010
 Scope of products: EN 1461 galvanized cable tray systems



Project: Tricastin Nuclear Plant by Areva
 Location: France, Tricastin
 Year: 2008-2009
 Scope of products: EN 1461 galvanized cable tray systems



Project: Europoort Rotterdam
 Location: Netherlands
 Year: 2009
 Scope of products: EN 1461 & EN 10327 Cable support systems



Project: Alstom Austria GMBH / Ermenek Hydro Electrical Plant Proj.
 Location: Turkey, Karaman
 Year: 2007
 Scope of products: EN 1461 galvanized cable tray systems



Project: Gasco / C&BI - Ruwais 3. Tr. Project
 Location: United Arab Emirates, Dubai
 Year: 2008
 Scope of products: EN 1461 galvanized cable tray systems & Epoxy Painted



Project: Permanent Gas Compression Projects, by Total Oil
 Location: Yemen
 Year: 2007-2008-2009-2010
 Scope of products: EN 1461 galvanized & aluminum cable tray systems



Project: Samsun 890MW Combined Cycle Power Plant
 Location: Samsun, Turkey
 Year: 2011
 Scope of products: Hot dip galvanized & epoxy painted cable tray systems

REFERENCES



Project: Denizli 775MW Combined Cycle Power Plant
 Location: Denizli, Turkey
 Year: 2011
 Scope of products: Hot dip galvanized cable tray systems



Project: Brown & Root – Condor (BRC) (KBR) project in Algeria
 Location: Alger, Algeria
 Year: 2006
 Scope of products: Cable tray systems



Project: Malta Luqa, US Embassy project
 Location: Malta, Luqa
 Year: 2009-2010
 Scope of products: AISI 304 & AISI 316 grade stainless steel mechanical fixings



Project: Ant Yapi / Antrium Residence Project
 Location: Turkey, İstanbul
 Year: 2007-2008
 Scope of products: EN 10327 galvanized cable tray systems



Project: İstanbul Kanyon Project by İŞGYO
 Location: Turkey, İstanbul
 Year: 2004-2005
 Scope of products: EN 1461 steel lintels & mechanical supports



Project: Ras Laffan, Epic Supply of Sea Water to LNG1 – Com. Cool Systems, Qatar Petroleum by CCIC - Technip
 Location: Qatar
 Year: 2006-2007
 Scope of products: Earthing products



Project: AGIP Oil Karachaganak Refinery projects
 Location: Kazakhstan, Aktau
 Year: 2006-2007-2008-2009
 Scope of products: Earthing products & cable tray systems

REFERENCES



Project: Hilton Hotel Project
Location: Nigeria, Lagos
Year: 2006-2007
Scope of products: EN 1461 galvanized cable tray systems



Project: Enka Construction, Sakhalin1 Project
Location: Russia, Sakhalin
Year: 2006
Scope of products: AISI 316 grade stainless steel cable tray systems



Project: Oman Refinery Co. Isomerization & Revamp project, by C.C.I.C, Main Contractor: Technip
Location: Oman, Muscat
Year: 2006-2007
Scope of products: EN 1461 cable tray systems



Project: As Kaynak / Lincoln Electric Production Plant, Orge A.S.
Location: Turkey, Kocaeli
Year: 2008-2009
Scope of products: EN 10327 galvanized cable tray systems



Project: Ugur Energy Electrical Plant
Location: Turkey, Tekirdag
Year: 2009-2010
Scope of products: EN 1461 galvanized cable tray systems



Project: DYSK Daiyang Stainless Steel Service Center
Location: Turkey, Tekirdag
Year: 2008-2009-2010
Scope of products: EN 1461 galvanized cable tray systems



Project: Masat Enerji / Taşova Power Plant
Location: Turkey, Amasya
Year: 2009-2010
Scope of products: EN 1461 galvanized cable tray systems



Project: Dow Chemicals Plant
Location: Turkey, Kocaeli
Year: 2009
Scope of products: EN 1461 galvanized cable tray systems

REFERENCES



GERPAAS®



Project: Alke – Beta – Hidrotek Manavgat Water Treatment Project
Location: Turkey, Antalya
Year: 2007-2008
Scope of products: EN 1461 galvanized cable tray systems



Project: T.C. EÜAŞ, Kangal Termik Santrali
Location: Sivas, Turkey
Year: 2007
Scope of products: Cable tray systems



Project: DOSAB Water Treatment Project
Location: Turkey, Bursa
Year: 2007-2008
Scope of products: EN 1461 galvanized cable tray systems



Project: ABB AG, GES, CCPP Bandirma Project
Location: Turkey, Bandirma
Year: 2009
Scope of products: EN 1461 galvanized cable tray systems



Project: T.C. EÜAŞ Hamitabat Electricity Production Plant
Location: Turkey, Kırklareli
Year: 2009-2010
Scope of products: EN 1461 galvanized cable tray systems



Project: Teksüt Dairy Plant
Location: Balıkesir, Turkey
Year: 20010
Scope of products: Cable tray systems, Stainless steel

JGC

Project: JGC Sonatrach projects
Location: Algeria, Algiers
Year: 2009-2010
Scope of products: EN 1461 galvanized cable tray systems



Project: Ereğli Iron & Steel Plant project
Location: Turkey, Zonguldak
Year: 2005-2006
Scope of products: EN 1461 galvanized cable tray systems

REFERENCES



GERPAAS®



Project: Karabük Iron & Steel Plant Projects
Location: Turkey, Karabük
Year: 2006-2007-2008-2009
Scope of products: EN 1461 galvanized cable tray systems, earthing products



Project: Dedeman Hotel Renovation project
Location: Turkey, İstanbul
Year: 2009
Scope of products: EN 1461 galvanized cable tray systems



Project: Sehil Construction Türkmenistan projects
Location: Türkmenistan, Asgabat
Year: 2006-2007-2008
Scope of products: EN 10327 galvanized cable tray systems



Project: Göltaş Cement Plant
Location: Turkey, Isparta
Year: 2007
Scope of products: EN 1461 galvanized cable tray systems



Project: Gübretaş Plant
Location: Turkey, Kocaeli
Year: 2008-2009
Scope of products: EN 1461 galvanized cable tray systems



Project: Atışkan Gypsum Factory Project
Location: Turkey, Eskişehir
Year: 2009
Scope of products: EN 1461 cable tray systems



Project: Gaziantep Airport Project
Location: Turkey, Gaziantep
Year: 2007
Scope of products: AISI 304 grade stainless steel mechanical fixings & supports



Project: Kadir Has University project
Location: Turkey, İstanbul
Year: 2008
Scope of products: EN 10327 galvanized cable tray systems

REFERENCES



Project: Erzurum Atatürk University Yakutiye Res.Hospital Project
Location: Turkey, Erzurum
Year: 2006
Scope of products:EN 1461 galvanized cable tray systems



Project: BOTAŞ Bozöyük-Seçköy Natural Gas Loop Lines
Location: Turkey
Year: 2006
Scope of products:Earthing Products



Project: Bekaert Textile Plant
Location: Turkey, Tekirdağ
Year: 2007
Scope of products:EN 10327 galvanized cable tray systems



Project: United Nations UNAMID project, Floatdene- England
Location: Mauritius Islands
Year: 2009
Scope of products:EN 1461 cable tray systems, support systems



Project: Danone Dairy Plant
Location: Azerbaijan, Baku
Year: 2010
Scope of products:AISI 304 grade stainless steel cable tray systems



Project: KPT Plant
Location: Sweden, Gothenbourg
Year: 2009
Scope of products:AISI 316 grade stainless steel cable tray systems



Project: Latvia, Riga, US Embassy project
Location: Latvia, Riga
Year: 2009
Scope of products:AISI 304 & AISI 316 grade stainless steel mechanical fixings



Project: Petrokazakhstan Kumkol Resources projects
Location: Kazakhstan
Year: 2006-2007
Scope of products:EN 1461 cable tray systems, earthing products



Project: Enppi Oil Projects
 Location: Egypt, Alexandria
 Year: 2008
 Scope of products: AISI 316 grade stainless steel cable tray systems



Project: Şanlıurfa State Hospital Project, TOKI
 Location: Turkey, Erzurum - Şanlıurfa
 Year: 2009-2010
 Scope of products: EN 1461 cable tray systems



Project: Dolphin Energy EGDS Upgrade EPC Project
 Location: U.A.E, Abu Dhabi
 Year: 2007
 Scope of products: EN 1461 cable tray systems



Project: Sonatrach Development Du Champ De Rhourde Nouss Project
 Location: Algeria
 Year: 2008-2009-2010
 Scope of products: EN 1461 cable tray systems



Project: Met Engineering Romania Project
 Location: Turkey, İstanbul
 Year: 2008
 Scope of products: EN 1461 earthing products



Project: İskenderun Iron & Steel Plant, Isdemir 4.YF Cooling Tank Project
 Location: Turkey, Hatay
 Year: 2007
 Scope of products: AISI 316 grade stainless steel cable tray systems, earthing products



Project: Zawiah 5000 Housing Project
 Location: Libya
 Year: 2010
 Scope of products: EN 1461 cable tray systems, mechanical fixings & supports



Project: IZSU Kemaplaşa Waste Water Treatment Plant Project
 Location: İzmir, Turkey
 Year: 2010
 Scope of products: Cable tray systems

REFERENCES



Project: Asya Fruit Juice Co. Plant Project
Location: Isparta, Turkey
Year: 2010
Scope of products: Cable tray systems



Project: Alacati Hotel, Ant Construction
Location: Turkey, İzmir
Year: 2010
Scope of products: Cable tray systems



Project: Afyon Kocatepe University Project
Location: Afyon, Turkey
Year: 2010
Scope of products: Cable tray systems



Project: Efes Pilsen Brewery Production Plant
Location: Ankara, Turkey
Year: 2010
Scope of products: AISI 304 grade stainless steel cable tray systems



Project: Sirte Oil Co, Pireco, Sweet Cond. Stabilizing Unit
Location: Sirte
Year: 2010
Scope of products: Earthing products



Project: ZLITEN Cement Plant
Location: Zilten – Libya
Year: 2010
Scope of products: Cable tray systems



Project: Astrakhan Shopping Mall Project, Arma Electropanc
Location: Astrakhan, Russia
Year: 2010
Scope of products: EN 1461 cable tray systems



Project: United States Embassy in Bucharest
Location: Bucharest, Romania
Year: 2010
Scope of products: AISI 304 and AISI 316 grade stainless steel mechanical fixing



Project: Renaissance Construction
 Location: Turkmenistan projects
 Year: 2009-2010-2011
 Scope of products: Earthing products, Mechanical Fixings & Support Systems



Project: Sonatrach, LPG Hassi Messaoud
 Location: Algeria
 Year: 2010
 Scope of products: Cable tray systems



Project: P/C De Sonatrach - Activite Amont Division Engineering & Construction (ENC)
 Location: Alger - Algerie
 Year: 2010-2011
 Scope of products: Cable tray systems



Project: Danway Qatar Eng. Mech.
 Location: Doha, Qatar
 Year: 2011
 Scope of products: Cable tray systems



Project: Politeknik University by Renaissance Construction
 Location: Turkmenistan
 Year: 2011
 Scope of products: Earthing products



Project: Stadium Hotel by Polimeks Construction
 Location: Turkmenistan
 Year: 2011
 Scope of products: Galvanized mechanical support systems



Project: Kartal Courthouse Project
 Location: Istanbul, Turkey
 Year: 2010
 Scope of products: Mechanical fixings & facade support systems



Project: Galatatown Residence Project
 Location: Istanbul, Turkey
 Year: 2010
 Scope of products: Cable tray systems

REFERENCES



Project: Akdeniz University, Faculty of Fisheries
 Location: Antalya, Turkey
 Year: 2010
 Scope of products: Mechanical façade fixings and support systems



Project: Afyon Şuhut Waste Water Treatment Plant
 Location: Afyon, Turkey
 Year: 2010
 Scope of products: Cable tray systems



Project: City Racecourse Project
 Location: Turkmenistan, Balkanabad
 Year: 2010
 Scope of products: Cable tray systems



Project: Al Fateh University, Mesa Construction
 Location: Tripoli, Libya
 Year: 2010
 Scope of products: Cable tray systems



Project: Al Fateh University, Faculty of Fine Arts by Oztas Construction
 Location: Tripoli, Libya
 Year: 2010
 Scope of products: Mechanical façade fixings & support systems

Project: Desalination of sea water project
 Location: Qatar, Doha
 Year: 2007-2008
 Scope of products: EN 1461 galvanized cable tray systems

Project: JTI Tobacco Plant
 Location: Amman, Jordan
 Year: 2008
 Scope of products: EN 1461 galvanized cable tray systems

Project: Bakcell GSM Project
 Location: Azerbaijan, Baku
 Year: 2008-2009-2010
 Scope of products: EN 1461 galvanized cable tray systems

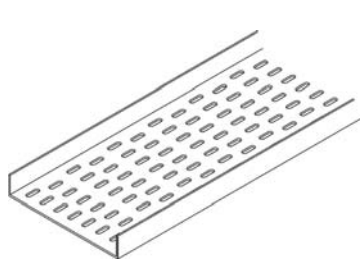
Project: Celik Halat Plant
 Location: Turkey, Adapazarı
 Year: 2006
 Scope of products: EN 10327 galvanized cable tray systems

Project: RIGA TPP2-Phase II - CAPP Project by GAMA
 Location: Riga, Latvia
 Year: 2012
 Scope of products: Earthing materials & Fixings

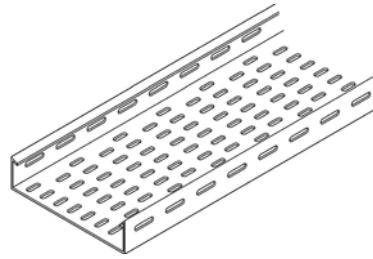
REFERENCES

GERPAAS®

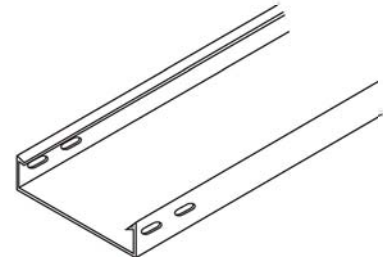
Material options: Stainless steel AISI 304 (L) (A2) / AISI 316 (L) (A4), ST-37-42 Mild Steel, Corten A, Pregalvanized steel, Aluminum
 Finish options : Hot Dip Galvanized to EN 1461, Electrogalvanized to TS 149, Electrostatic Paint Coated, Prime coated
 See material & finish option charts for available product specific selections.



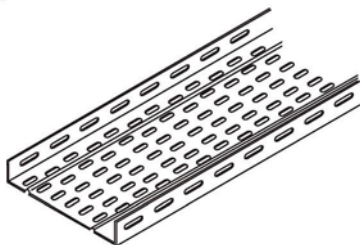
GE-KT1
A:15 / 25 / 40



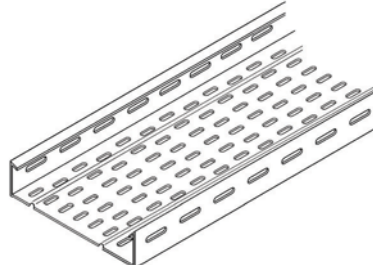
GE-KT2
A:25 / 40 / 50 / 60 / 75 / 100



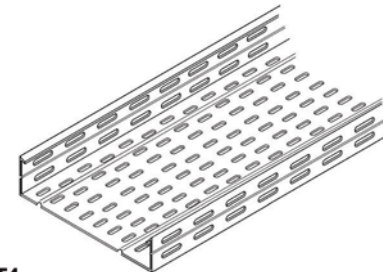
GE-KTN2
A:25 / 40 / 50 / 60 / 75 / 100



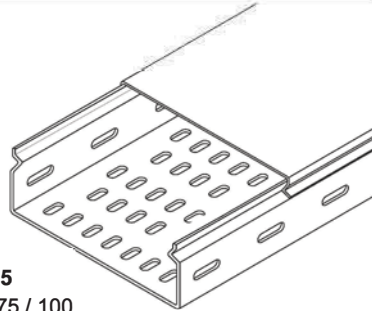
GE-KT3
A:40



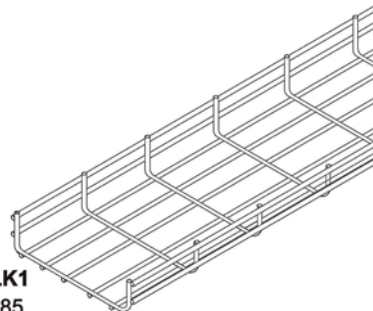
GE-KT4
A:60 / 75



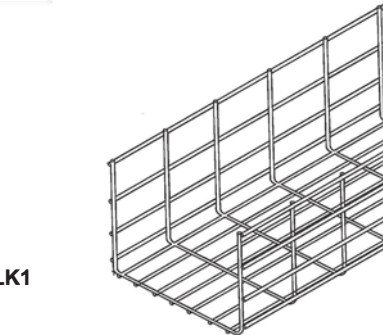
GE-KT4
A:100



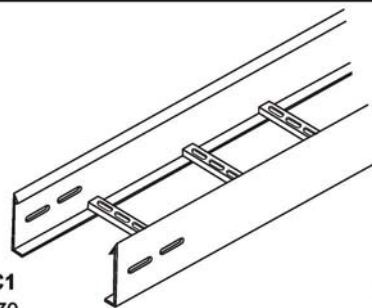
GE-KT5
A:50 / 75 / 100



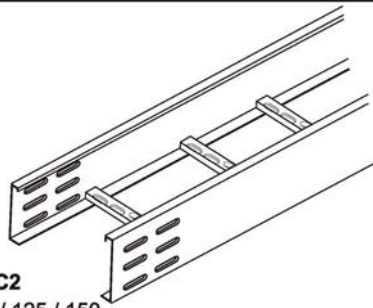
GE-TLK1
A:50 / 85



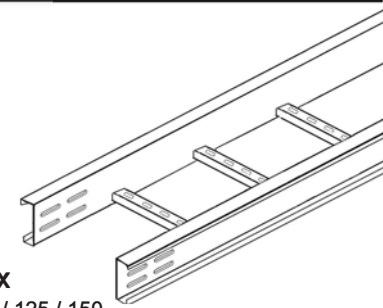
GE-TLK1
A:120



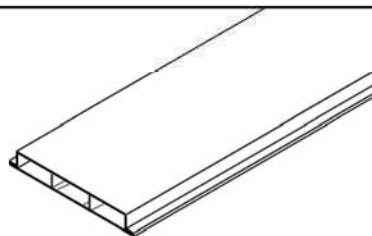
GE-MC1
A:50 / 70



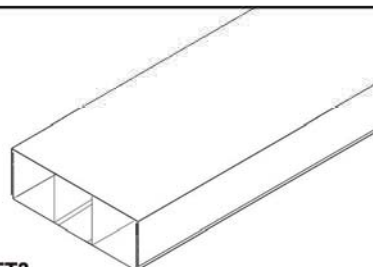
GE-MC2
A:100 / 125 / 150



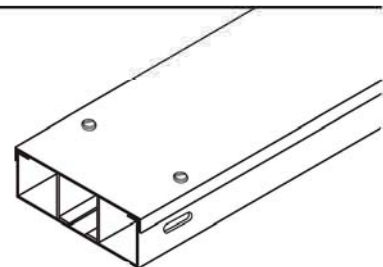
GE-MX
A:100 / 125 / 150



GE-DAK3
A:25 / 28 / 30



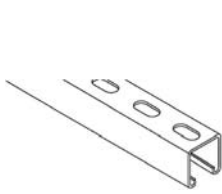
GE-UFT3
A:25 / 32 / 38 / 40



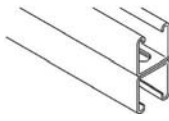
GE-TRNK3
A:50 / 75 / 100 / 150

GERPAAS®

Material options: Stainless steel AISI 304 (L) (A2) / AISI 316 (L) (A4), ST-37-42 Mild Steel, Corten A, Pregalvanized steel, Aluminum
 Finish options : Hot Dip Galvanized to EN 1461, Electrogalvanized to TS 149, Electrostatic Paint Coated, Prime coated
 See material & finish option charts for available product specific selections.



GE-UCD
PAGE : 175



GE-CDOD
PAGE : 175



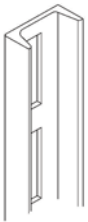
GE-I
PAGE : 203



GE-T
PAGE : 209



GE-AE
PAGE : 223



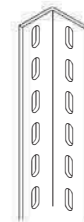
GE-NPUD



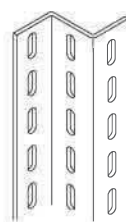
GE-NPLAD



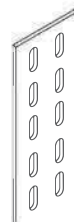
GE-U



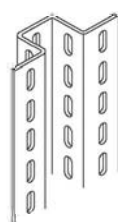
GE-LS



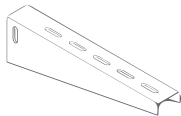
GE-Z



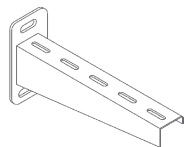
GE-SL



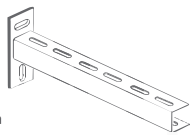
GE-OM



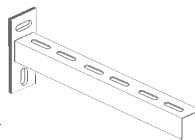
GE-KA



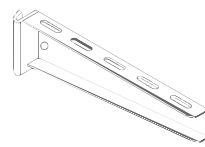
GE-KD



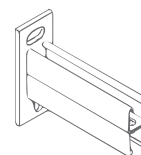
GE-KDU



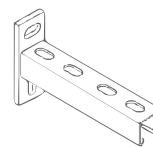
GE-KDL



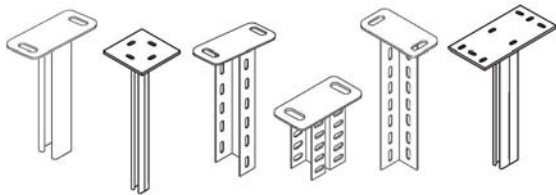
GE-IK



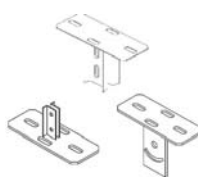
GE-KDCD



GE-KDC



GE-TA



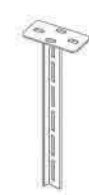
GE-TT



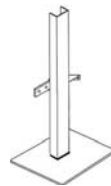
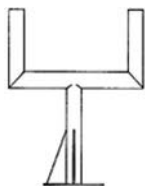
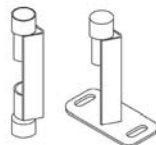
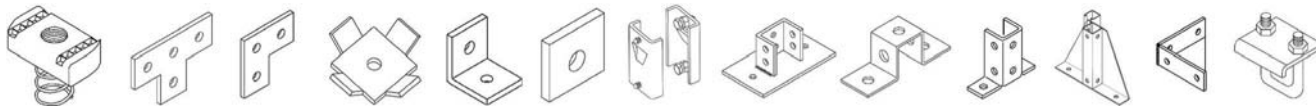
GE-AE



GE-IP



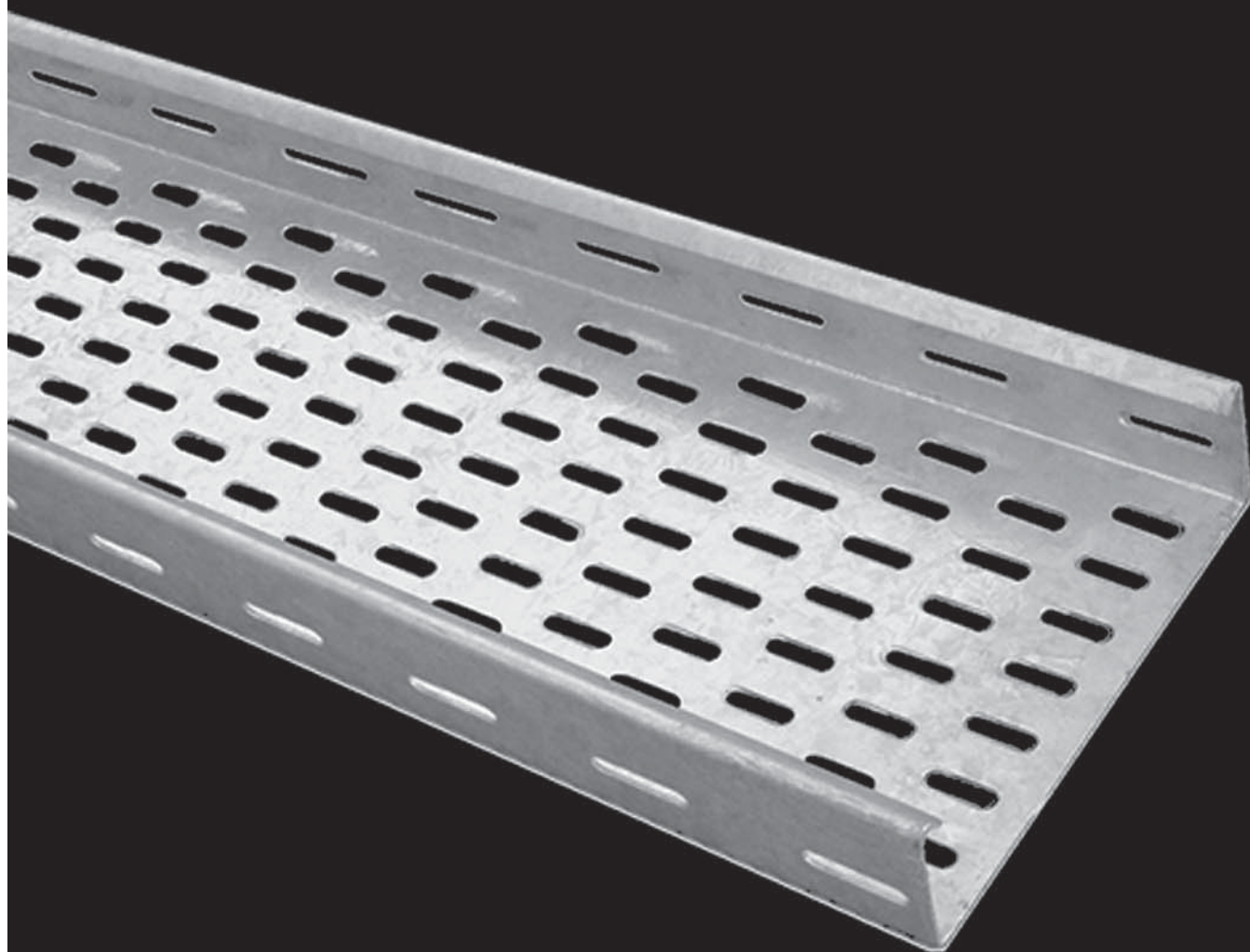
GE-TP



GERPAAAS[®]

GERPAAS[®]

Cable trays
Chemin de câbles
Kabelrinnen
Кабельные лотки
Kablo kanalları

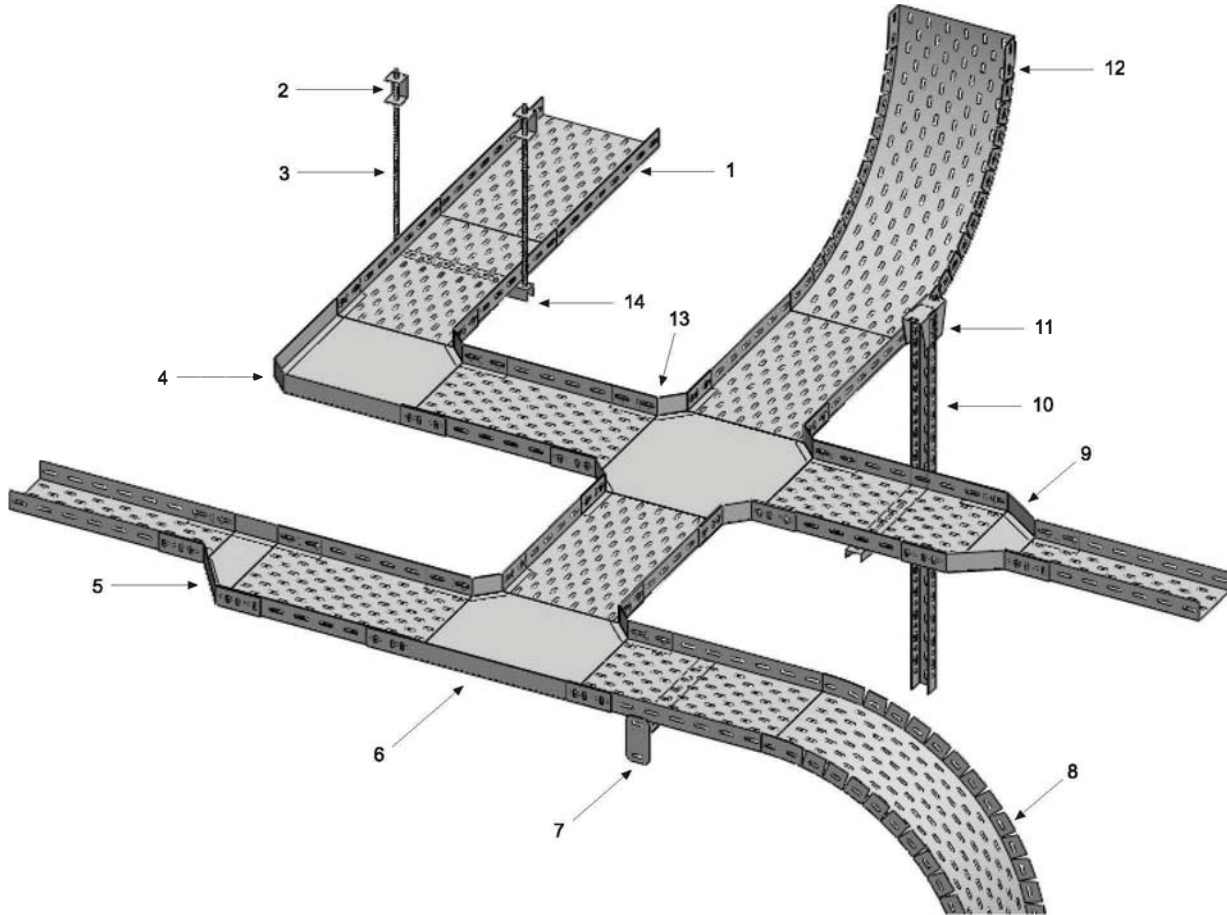


GERPAAAS[®]

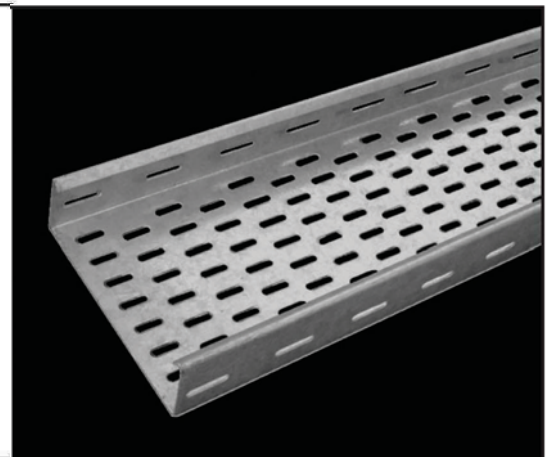
GERPAAS®

Material options: Stainless steel AISI 304 (L) (A2) / AISI 316 (L) (A4), ST-37-42 Mild Steel, Corten A, Pregalvanized steel, Aluminum
 Finish options : Hot Dip Galvanized to EN 1461, Electrogalvanized to TS 149, Electrostatic Paint Coated, Prime coated
 See material & finish option charts for available product specific selections.

- EN** Cable trays
- FR** Chemin de câbles
- D** Kabelrinnen
- RU** КАБЕЛЬНЫЕ ЛОТКИ
- TR** Kablo kanalları



- | | |
|----------------|-----------------|
| 1)- GE-KT1 | 8)- GE-KT1-OBF |
| 2)- GE-AE-2 | 9)- GE-KT1-R |
| 3)- GE-KAT | 10)- GE-U |
| 4)- GE-KT1-D90 | 11)- GE-AS2 |
| 5)- GE-KT1-RR | 12)- GE-KT1-IBF |
| 6)- GE-KT1-T | 13)- GE-KT1-DB |
| 7)- GE-KD | 14)- GE-AE-5U |



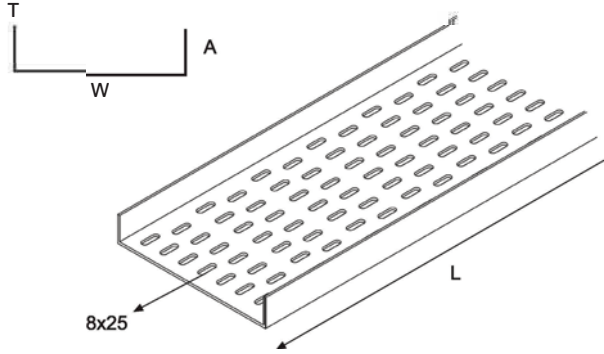
Material options: Stainless steel AISI 304 (L) (A2) / AISI 316 (L) (A4), ST-37-42 Mild Steel, Corten A, Pregalvanized steel, Aluminum
 Finish options : Hot Dip Galvanized to EN 1461, Electrogalvanized to TS 149, Electrostatic Paint Coated, Prime coated
 See material & finish option charts for available product specific selections.

Cable Trays

15

GE-KT1-A15

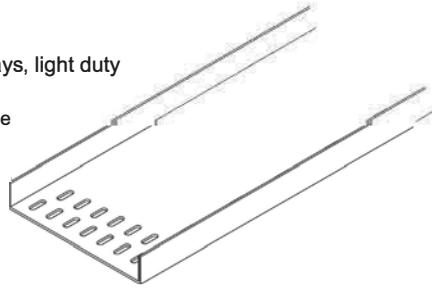
Cable trays, light duty
 Kablo kanalları
 Легкая долг кабельных лотков



Part No1	T	W	A	L	Kg/m
GE-KT1-5-A15	1	50	15	3000	0.60
GE-KT1-7-A15	1	70	15	3000	0.76
GE-KT1-10-A15	1	100	15	3000	1.00
GE-KT1-12-A15	1	120	15	3000	1.16
GE-KT1-15-A15	1	150	15	3000	1.40
GE-KT1-20-A15	1.2	200	15	3000	2.16
GE-KT1-22-A15	1.2	225	15	3000	2.40
GE-KT1-25-A15	1.2	250	15	3000	2.64
GE-KT1-30-A15	1.2	300	15	3000	3.12
GE-KT1-40-A15	1.5	400	15	3000	5.10
GE-KT1-45-A15	1.5	450	15	3000	5.70
GE-KT1-50-A15	1.5	500	15	3000	6.30
GE-KT1-60-A15	1.5	600	15	3000	7.50
GE-KT1-75-A15	1.5	750	15	3000	9.30
GE-KT1-90-A15	1.5	900	15	3000	11.10

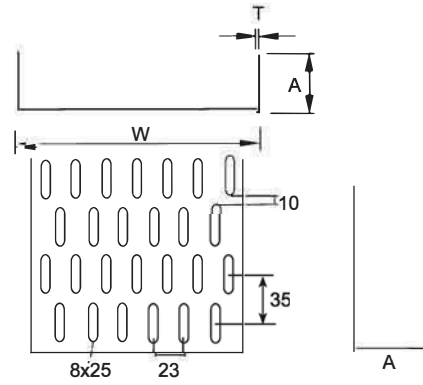
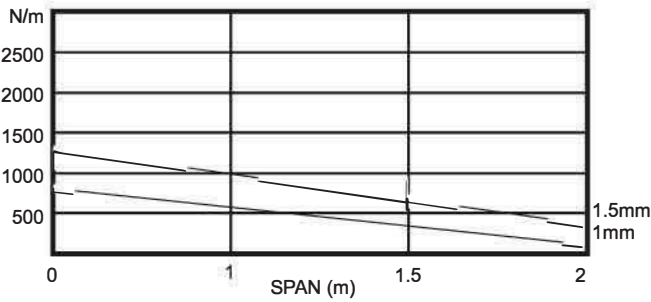
GE-KTN1-A15

Non perforated cable trays, light duty
 Deliksiz kablo kanalları
 Легкая долг, не кабельные перфорированные лотки



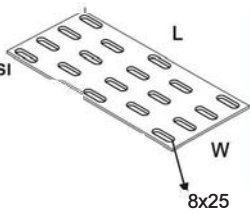
Custom production available upon request.
 İsteğe göre diğer ölçülerde üretim yapılır.
 Возможно изготовление продукции на заказ.

(SS4) (SS6) (HDG) (PG) (EG) (ESB) (APB) (AL)



GE-FEK

Fish plate
 Taban ek parçası
 Связующий элемент



GE-KC-2

Fixing set
 Kanal civata takımı
 Комплект винтового соединения



GE-LCN

PVC strip
 PVC conta
 Резиновые прокладки



GE-LCND

PVC strip double
 PVC conta, çiftli
 Резиновые прокладки



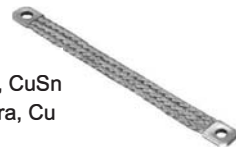
GE-SPRAY-1

Zinc spray
 Çinko sprej
 Спрей цинка



GE-BFEC-4

Flat flexible bar, CuSn
 Yassı esnek bara, Cu
 Провод



Material options: Stainless steel AISI 304 (L) (A2) / AISI 316 (L) (A4), ST-37-42 Mild Steel, Corten A, Pregalvanized steel, Aluminum
 Finish options : Hot Dip Galvanized to EN 1461, Electrogalvanized to TS 149, Electrostatic Paint Coated, Prime coated
 See material & finish option charts for available product specific selections.

Cable Trays

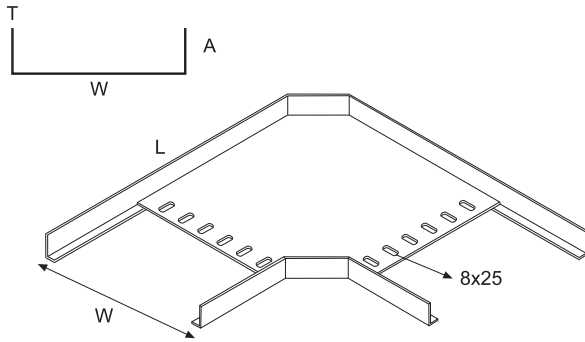
15

GE-KT1-D90-A15

90° flat bend

90° dönüş elemanı

Секция угловая горизонтальная 90°



Please specify radius when ordering.
 Connect with GE-FEK fish plate.

Siparişinizde radyusu belirtiniz
 GE-FEK ile birleştiriniz.

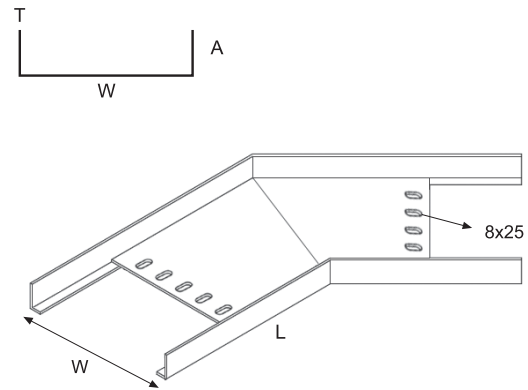
Укажите радиус при заказе.
 Связаться с GE-FEK рыбы пластины.

GE-KT1-D45-A15

45° flat bend

45° dönüş elemanı

Секция угловая горизонтальная 45°



Flat bends in 90°, 60°, 45°, 30° are available on request.
 90° flat bend is supplied as standard unless the angle is specified when ordering.

90°, 60°, 45°, 30° dönüşler mevcuttur.
 Başka ölçü belirtilmedikçe standart 90° teslim edilir.

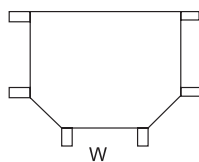
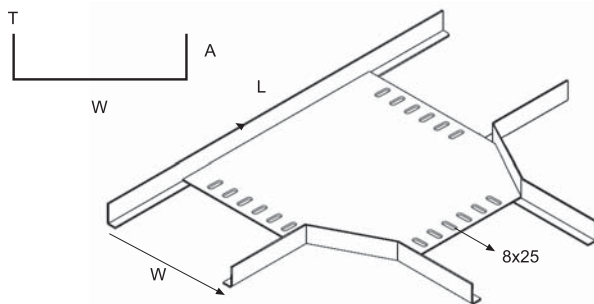
Угловые элементы могут быть изготовлены 90, 60, 45, 30. Стандартный размер 90, кроме случаев оговорённых при заказе.

GE-KT1-T-A15

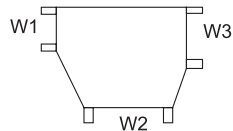
Tee

T elemanı

T образное разветвление



Equal Tee
 Eşit T Elemanı
 Равное разветвление



Unequal Tee
 Eşit olmayan T Elemanı
 Неравное разветвление

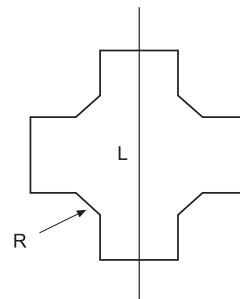
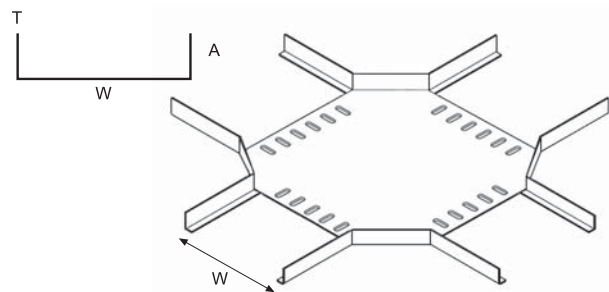
Please specify the widths of unequal tees by drawing.
 Eşit olmayan T' lerde W ölçülerini siparişte belirtiniz.
 Укажите размеры W неравного T-образного разветвления.

GE-KT1-DB-A15

Crossing

Dörtlü Bağlantı Elemanı

Секция крестообразная



Please specify radius when ordering.
 Connect with GE-FEK fish plate.

Siparişinizde radyusu belirtiniz
 GE-FEK ile birleştiriniz.

Укажите радиус при заказе.
 Связаться с GE-FEK рыбы пластины.

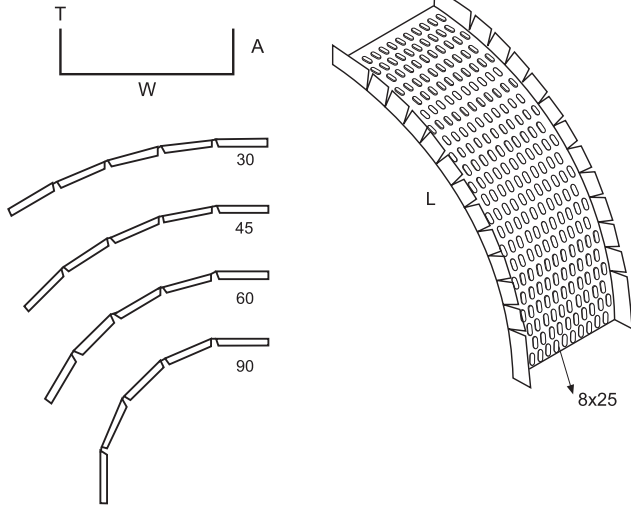
Material options: Stainless steel AISI 304 (L) (A2) / AISI 316 (L) (A4), ST-37-42 Mild Steel, Corten A, Pregalvanized steel, Aluminum
 Finish options : Hot Dip Galvanized to EN 1461, Electrogalvanized to TS 149, Electrostatic Paint Coated, Prime coated
 See material & finish option charts for available product specific selections.

Cable Trays

15

GE-KT1-OBF-A15

Flexible outside bend
 Modüler dış bükey elemanı
 Внешний угловой элемент



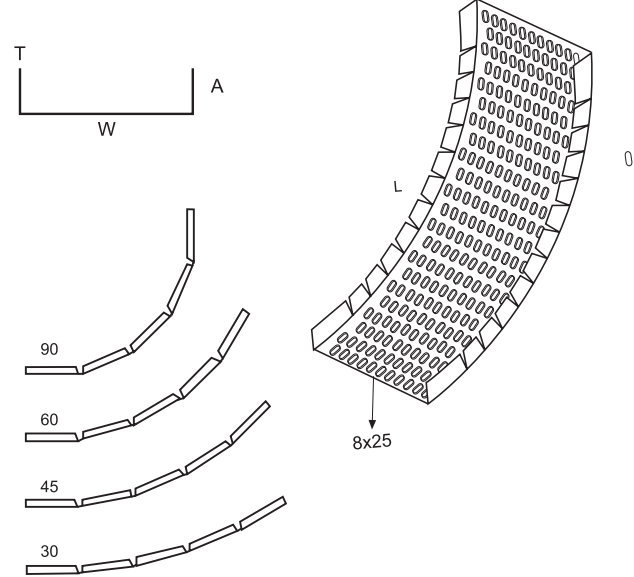
Please specify radius when ordering.
 Connect with GE-FEK fish plate.

Siparişinizde radyusu belirtiniz
 GE-FEK ile birleştiriniz.

Укажите радиус при заказе.
 Связаться с GE-FEK рыбы пластины.

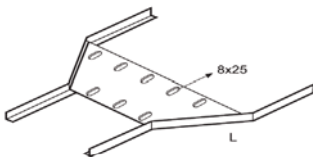
GE-KT1-IBF-A15

Flexible inside bend
 Modüler iç bükey elemanı
 Внутренний угловой элемент



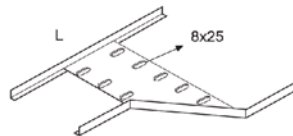
GE-KT1-R-A15

Straight reducer
 Redüksiyon
 Редукции



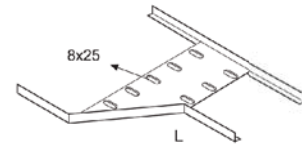
GE-KT1-RL-A15

Left reducer
 Sola redüksiyon
 Редукции



GE-KT1-RR-A15

Right reducer
 Sağa redüksiyon
 Редукции



Material options: Stainless steel AISI 304 (L) (A2) / AISI 316 (L) (A4), ST-37-42 Mild Steel, Corten A, Pregalvanized steel, Aluminum
 Finish options : Hot Dip Galvanized to EN 1461, Electrogalvanized to TS 149, Electrostatic Paint Coated, Prime coated
 See material & finish option charts for available product specific selections.

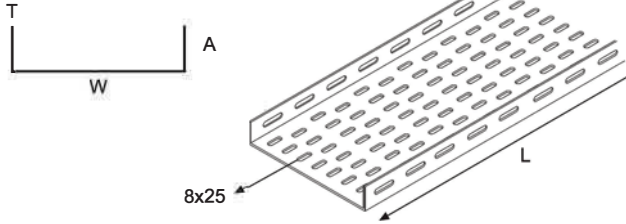
Cable Trays

25

GE-KT1-A25

Cable trays, light duty
 Kablo kanalları

Легкая долг кабельных лотков

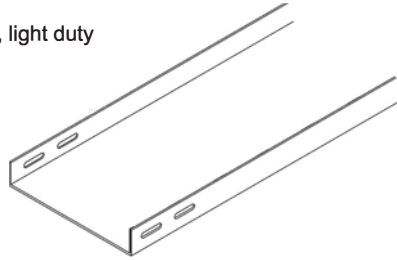


Part No	T	W	A	L	Kg/m
GE-KT1-5-A25	1	50	25	3000	0.76
GE-KT1-7-A25	1	70	25	3000	0.92
GE-KT1-10-A25	1	100	25	3000	1.16
GE-KT1-12-A25	1	120	25	3000	1.32
GE-KT1-15-A25	1	150	25	3000	1.56
GE-KT1-20-A25	1.2	200	25	3000	2.35
GE-KT1-22-A25	1.2	225	25	3000	2.60
GE-KT1-25-A25	1.2	250	25	3000	2.85
GE-KT1-30-A25	1.2	300	25	3000	3.30
GE-KT1-40-A25	1.5	400	25	3000	5.35
GE-KT1-45-A25	1.5	450	25	3000	5.95
GE-KT1-50-A25	1.5	500	25	3000	6.55
GE-KT1-60-A25	1.5	600	25	3000	7.74
GE-KT1-75-A25	1.5	750	25	3000	9.54
GE-KT1-90-A25	1.5	900	25	3000	11.35

GE-KTN1-A25

Non perforated cable trays, light duty
 Deliksiz kablo kanalları

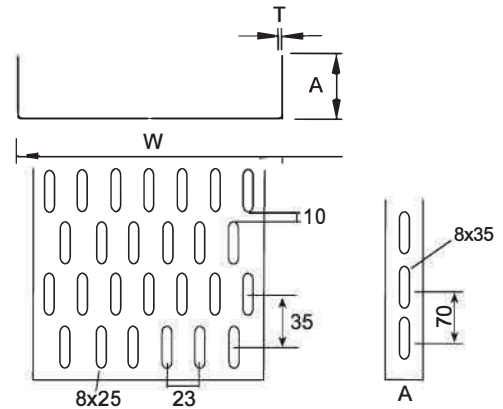
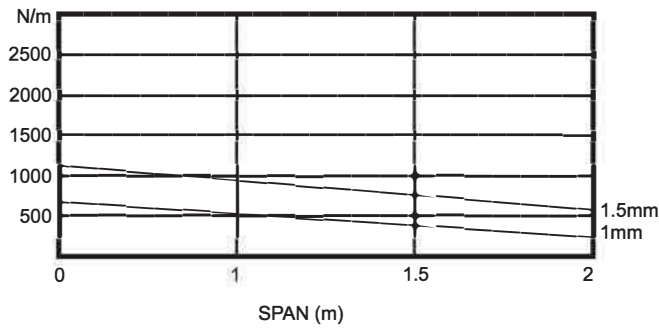
Легкая долг, не кабельные
 перфорированные лотки



Custom production available upon request.
 isteğe göre diğer ölçülerde üretim yapılır.

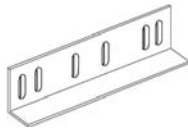
Возможно изготовление продукции на заказ.

SS4 SS6 HDG PG EG ESB APB AL



GE-EK-25

Splice plate
 Ek parçası
 Связующий элемент



GE-KC-2

Fixing set
 Kanal civata takımı
 Комплект винтового соединения



GE-LCN

PVC strip
 PVC conta
 Резиновые прокладки



GE-LCND

PVC strip double
 PVC conta, çiftli
 Резиновые прокладки



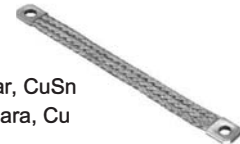
GE-SPRAY-1

Zinc spray
 Çinko sprej
 Спрей цинка



GE-BFEC-4

Flat flexible bar, CuSn
 Yassı esnek bara, Cu
 Провод



Material options: Stainless steel AISI 304 (L) (A2) / AISI 316 (L) (A4), ST-37-42 Mild Steel, Corten A, Pregalvanized steel, Aluminum
 Finish options : Hot Dip Galvanized to EN 1461, Electrogalvanized to TS 149, Electrostatic Paint Coated, Prime coated
 See material & finish option charts for available product specific selections.

Cable Trays

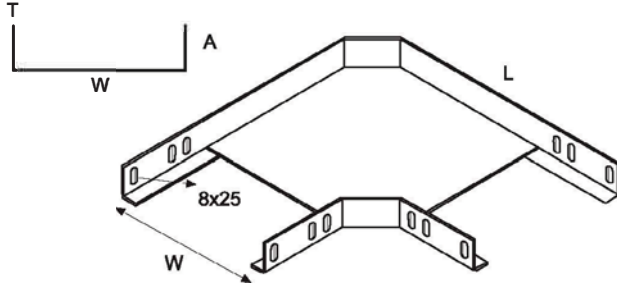
25

GE-KT1-D90-A25

90° flat bend

90° dönüş elemanı

Секция угловая горизонтальная 90°



No couplers required for fixing to cable trays.
Please specify radius when ordering.

Birleştirme için ek parçasına gerek yoktur.
Siparişte radyusu belirtiniz

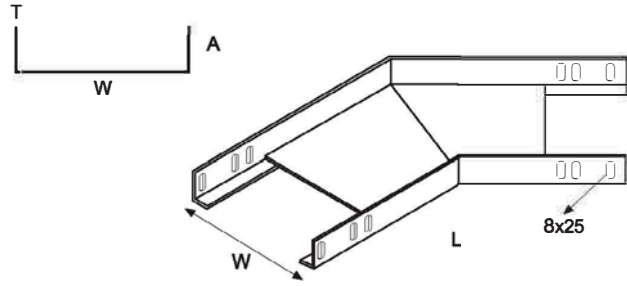
Нет арматуры, необходимой для фиксации кабеля в лотки.
Укажите радиус при заказе.

GE-KT1-D45-A25

45° flat bend

45° dönüş elemanı

Секция угловая горизонтальная 45°



Flat bends in 90°, 60°, 45°, 30° are available on request.
90° flat bend is supplied as standard unless the angle is specified when ordering.

90°, 60°, 45°, 30° dönüşler mevcuttur.
Başka ölçü belirtilmedikçe standart 90° teslim edilir.

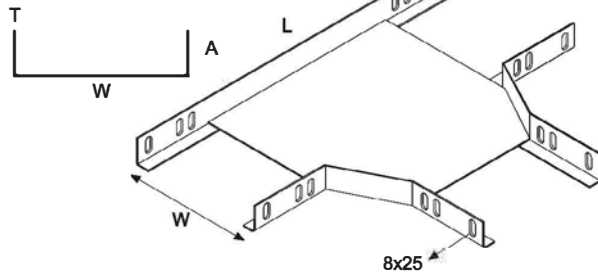
Угловые элементы могут быть изготовлены 90, 60, 45, 30. Стандартный размер 90, кроме случаев оговорённых при заказе.

GE-KT1-T-A25

Tee

T elemanı

T образное разветвление



No couplers required for fixing to cable trays.
Please specify radius when ordering.

Birleştirme için ek parçasına gerek yoktur.
Siparişte radyusu belirtiniz.

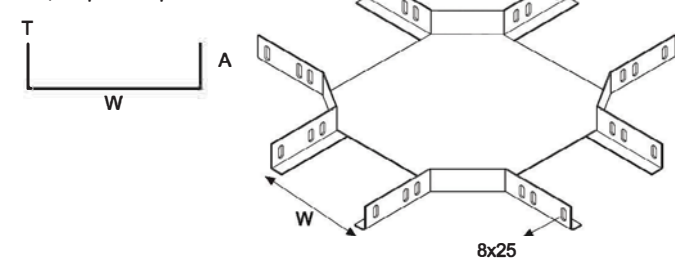
Нет арматуры, необходимой для фиксации кабеля в лотки.
Укажите радиус при заказе.

GE-KT1-DB-A25

Crossing

Dörtlü Bağlantı Elemanı

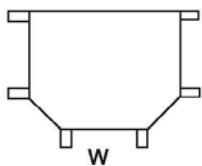
Секция крестообразная



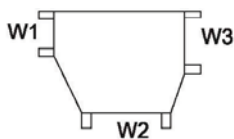
No couplers required for fixing to cable trays.
Please specify radius when ordering.

Birleştirme için ek parçasına gerek yoktur.
Siparişte radyusu belirtiniz.

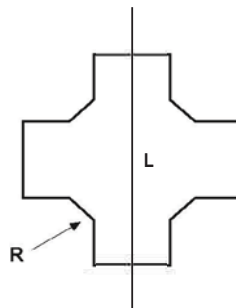
Нет арматуры, необходимой для фиксации кабеля в лотки.
Укажите радиус при заказе.



Equal Tee
Eşit T Elemanı
Равное оазветвление



Unequal Tee
Eşit olmayan T Elemanı
Неравное разветвление



Material options: Stainless steel AISI 304 (L) (A2) / AISI 316 (L) (A4), ST-37-42 Mild Steel, Corten A, Pregalvanized steel, Aluminum
 Finish options : Hot Dip Galvanized to EN 1461, Electrogalvanized to TS 149, Electrostatic Paint Coated, Prime coated
 See material & finish option charts for available product specific selections.

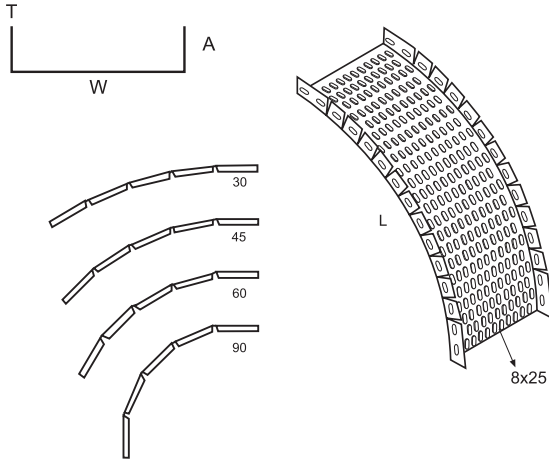


Cable Trays

25

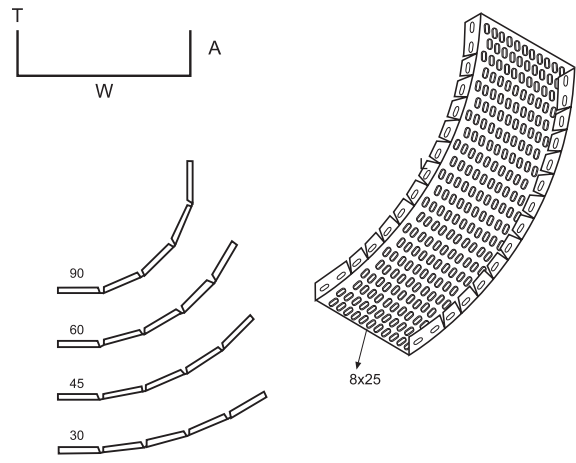
GE-KT1-OBF-A25

Flexible outside bend
 Modüler dış bükey elemanı
 Внешний угловой элемент



GE-KT1-IBF-A25

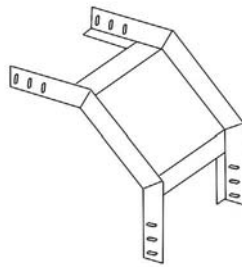
Flexible inside bend
 Modüler iç bükey elemanı
 Внутренний угловой элемент



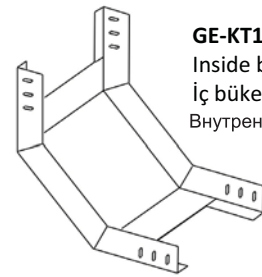
Connection to be made with splice plates.
 Please specify radius when ordering.

Birleştirme için GE-EK kullanılır.
 Siparişte radyusu belirtiniz

Соединение будет с сращивание пластин.
 Укажите радиус при заказе.



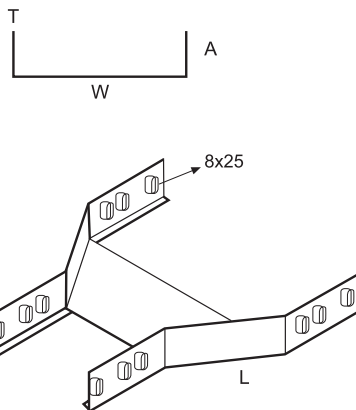
GE-KT1-OB90-A25
 Outside bend
 Dış bükey
 Внешний угловой элемент



GE-KT1-IB90-A25
 Inside bend
 İç bükey
 Внутренний угловой

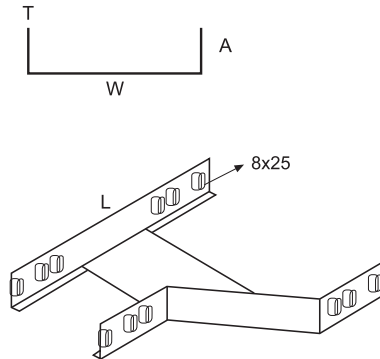
GE-KT1-R-A25

Straight reducer
 Redüksiyon
 Редукции



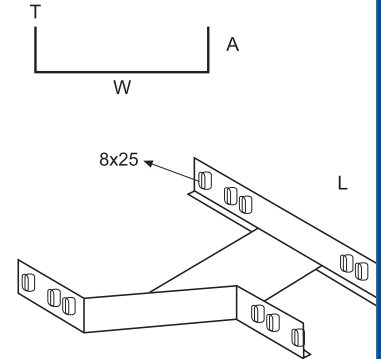
GE-KT1-RL-A25

Left reducer
 Sola redüksiyon
 Редукции



GE-KT1-RR-A25

Right reducer
 Sağa redüksiyon
 Редукции



Material options: Stainless steel AISI 304 (L) (A2) / AISI 316 (L) (A4), ST-37-42 Mild Steel, Corten A, Pregalvanized steel, Aluminum
 Finish options : Hot Dip Galvanized to EN 1461, Electrogalvanized to TS 149, Electrostatic Paint Coated, Prime coated
 See material & finish option charts for available product specific selections.

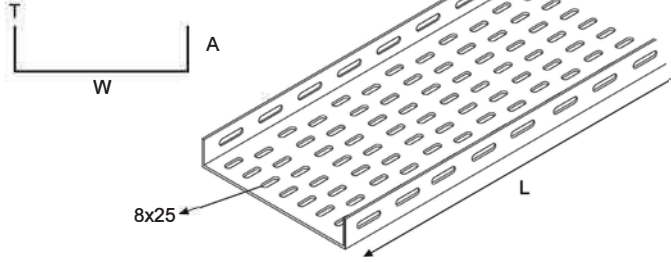
Cable Trays

40

GE-KT1-A40

Cable trays, light duty
 Kablo kanalları

Легкая долг кабельных лотков

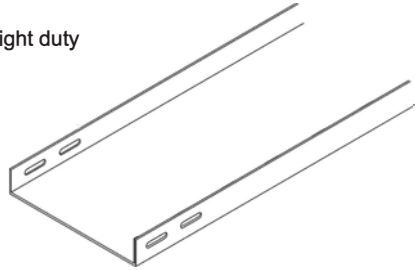


Part No	T	W	A	L	Kg
GE-KT1-5-A40	1	50	40	3000	1.00
GE-KT1-7-A40	1	70	40	3000	1.16
GE-KT1-10-A40	1	100	40	3000	1.40
GE-KT1-12-A40	1	120	40	3000	1.56
GE-KT1-15-A40	1	150	40	3000	1.80
GE-KT1-20-A40	1.2	200	40	3000	2.64
GE-KT1-22-A40	1.2	225	40	3000	2.88
GE-KT1-25-A40	1.2	250	40	3000	3.12
GE-KT1-30-A40	1.2	300	40	3000	3.60
GE-KT1-40-A40	1.5	400	40	3000	5.69
GE-KT1-45-A40	1.5	450	40	3000	6.23
GE-KT1-50-A40	1.5	500	40	3000	6.89
GE-KT1-60-A40	1.5	600	40	3000	8.10
GE-KT1-75-A40	1.5	750	40	3000	9.90
GE-KT1-90-A40	1.5	900	40	3000	11.70

GE-KTN1-A40

Non perforated cable trays, light duty
 Deliksiz kablo kanalları

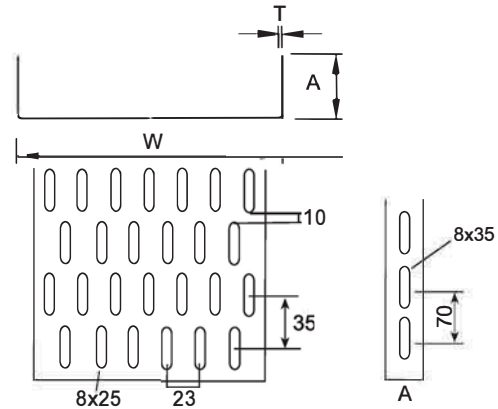
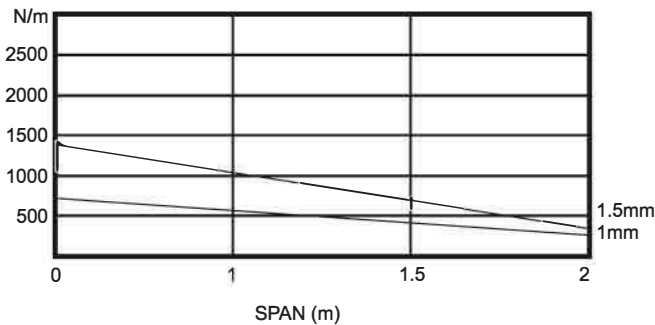
Легкая долг, не кабельные
 перфорированные лотки



Custom production available upon request.
 isteğe göre diğer ölçülerde üretim yapılır.

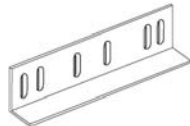
Возможно изготовление продукции на заказ.

SS4 SS6 HDG PG EG ESB APB AL



GE-EK-40

Splice plate
 Ek parçası
 Связующий элемент



GE-LCN

PVC strip
 PVC conta
 Резиновые прокладки



GE-SPRAY-1

Zinc spray
 Çinko sprej
 Спрей цинка



GE-KC-2

Fixing set
 Kanal civata takımı
 Комплект винтового соединения



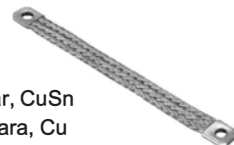
GE-LCND

PVC strip double
 PVC conta, çiftli
 Резиновые прокладки



GE-BFEC-4

Flat flexible bar, CuSn
 Yassı esnek bara, Cu
 Провод



Material options: Stainless steel AISI 304 (L) (A2) / AISI 316 (L) (A4), ST-37-42 Mild Steel, Corten A, Pregalvanized steel, Aluminum
 Finish options : Hot Dip Galvanized to EN 1461, Electrogalvanized to TS 149, Electrostatic Paint Coated, Prime coated
 See material & finish option charts for available product specific selections.

Cable Trays

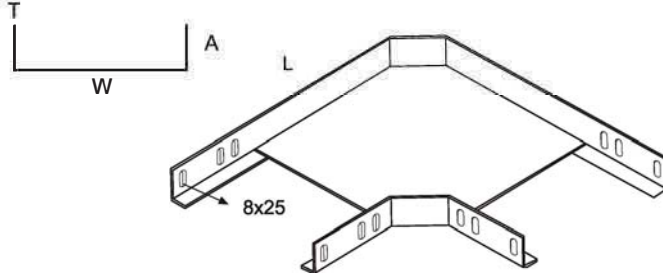
40

GE-KT1-D90-A40

90° flat bend

90° dönüş elemanı

Секция угловая горизонтальная 90°



No couplers required for fixing to cable trays.
 Please specify radius when ordering.

Birleştirme için ek parçasına gerek yoktur.
 Siparişte radyusu belirtiniz

Нет арматуры, необходимой для фиксации кабеля в лотки.
 Укажите радиус при заказе.

Part No	T	W	A	L	Kg
GE-KT1-D90-5-A40	1	50	40	210	0.51
GE-KT1-D90-7-A40	1	70	40	230	0.58
GE-KT1-D90-10-A40	1	100	40	260	0.67
GE-KT1-D90-12-A40	1	120	40	280	0.76
GE-KT1-D90-15-A40	1	150	40	310	0.89
GE-KT1-D90-20-A40	1.2	200	40	360	1.24
GE-KT1-D90-22-A40	1.2	225	40	385	1.41
GE-KT1-D90-25-A40	1.2	250	40	410	1.58
GE-KT1-D90-30-A40	1.2	300	40	470	2.48
GE-KT1-D90-40-A40	1.5	400	40	570	3.68
GE-KT1-D90-45-A40	1.5	450	40	610	4.37
GE-KT1-D90-50-A40	1.5	500	40	660	5.15
GE-KT1-D90-60-A40	1.5	600	40	760	6.85
GE-KT1-D90-75-A40	1.5	750	40	910	9.90
GE-KT1-D90-90-A40	1.5	900	40	1060	13.68

Flat bends in 90°, 60°, 45°, 30° are available on request.
 90° flat bend is supplied as standard unless the angle is specified when ordering.

90°, 60°, 45°, 30° dönüşler mevcuttur.
 Ba'ka ölçü belirtilmedikçe standart 90° teslim edilir.

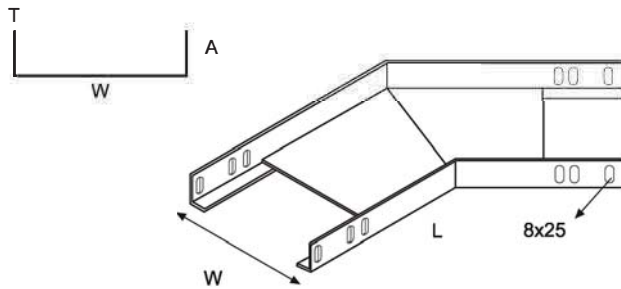
Угловые элементы могут быть изготовлены 90, 60, 45, 30. Стандартный размер 90, кроме случаев оговорённых при заказе.

GE-KT1-D45-A40

45° flat bend

45° dönüş elemanı

Секция угловая горизонтальная 45°



No couplers required for fixing to cable trays.
 Please specify radius when ordering.

Birleştirme için ek parçasına gerek yoktur.
 Siparişte radyusu belirtiniz

Нет арматуры, необходимой для фиксации кабеля в лотки.
 Укажите радиус при заказе.

Part No	T	W	A	L	Kg
GE-KT1-D45-5-A40	1	50	40	210	0.51
GE-KT1-D45-7-A40	1	70	40	230	0.58
GE-KT1-D45-10-A40	1	100	40	260	0.67
GE-KT1-D45-12-A40	1	120	40	280	0.76
GE-KT1-D45-15-A40	1	150	40	310	0.89
GE-KT1-D45-20-A40	1.2	200	40	360	1.24
GE-KT1-D45-22-A40	1.2	225	40	385	1.41
GE-KT1-D45-25-A40	1.2	250	40	410	1.58
GE-KT1-D45-30-A40	1.2	300	40	470	2.48
GE-KT1-D45-40-A40	1.5	400	40	570	3.68
GE-KT1-D45-45-A40	1.5	450	40	610	4.37
GE-KT1-D45-50-A40	1.5	500	40	660	5.15
GE-KT1-D45-60-A40	1.5	600	40	760	6.85
GE-KT1-D45-75-A40	1.5	750	40	910	9.90
GE-KT1-D45-90-A40	1.5	900	40	1060	13.68

Material options: Stainless steel AISI 304 (L) (A2) / AISI 316 (L) (A4), ST-37-42 Mild Steel, Corten A, Pregalvanized steel, Aluminum
 Finish options : Hot Dip Galvanized to EN 1461, Electrogalvanized to TS 149, Electrostatic Paint Coated, Prime coated
 See material & finish option charts for available product specific selections.

Cable Trays

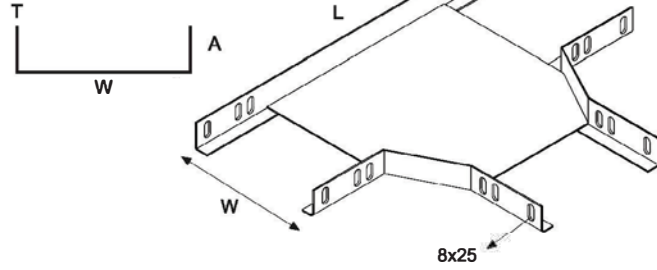
40

GE-KT1-T-A40

Tee

T elemanı

T образное разветвление



No couplers required for fixing to cable trays.
 Please specify radius when ordering.

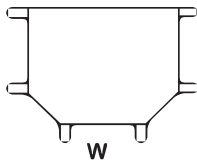
Birleştirme için ek parçasına gerek yoktur.
 Siparişte radyusu belirtiniz.

Нет арматуры, необходимой для фиксации кабеля в лотки.
 Укажите радиус при заказе.

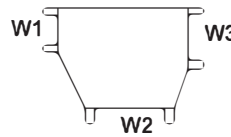
Part No	T	W	A	L	Kg
GE-KT1-T-5-A40	1	50	40	370	0.71
GE-KT1-T-7-A40	1	70	40	390	0.78
GE-KT1-T-10-A40	1	100	40	420	0.86
GE-KT1-T-12-A40	1	120	40	440	0.92
GE-KT1-T-15-A40	1	150	40	470	1.10
GE-KT1-T-20-A40	1.2	200	40	520	1.42
GE-KT1-T-22-A40	1.2	225	40	545	1.57
GE-KT1-T-25-A40	1.2	250	40	570	1.74
GE-KT1-T-30-A40	1.2	300	40	620	2.35
GE-KT1-T-40-A40	1.5	400	40	720	3.84
GE-KT1-T-45-A40	1.5	450	40	770	4.54
GE-KT1-T-50-A40	1.5	500	40	820	5.29
GE-KT1-T-60-A40	1.5	600	40	920	6.97
GE-KT1-T-75-A40	1.5	750	40	1070	10.00
GE-KT1-T-90-A40	1.5	900	40	1220	13.62

Please specify the widths of unequal tees by drawing.
 Eşit olmayan T' lerde W ölçülerini siparişte belirtiniz.

Укажите размеры W неравного T-образного разветвления.



Equal Tee
 Eşit T Elemanı
 Равное разветвление



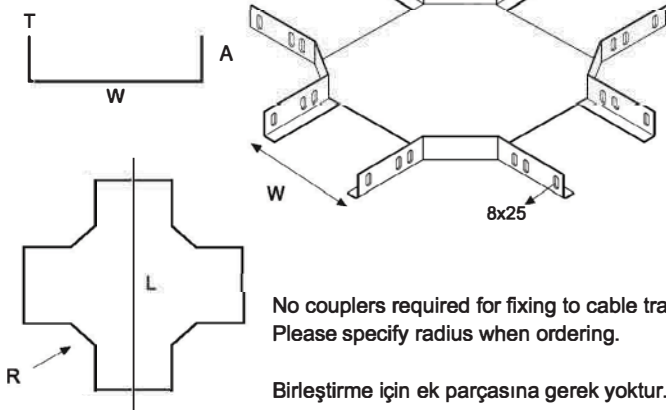
Unequal Tee
 Eşit olmayan T Elemanı
 Неравное разветвление

GE-KT1-DB-A40

Crossing

Dörtlü Bağlantı Elemanı

Секция крестообразная



No couplers required for fixing to cable trays.
 Please specify radius when ordering.

Birleştirme için ek parçasına gerek yoktur.
 Siparişte radyusu belirtiniz.

Нет арматуры, необходимой для фиксации кабеля в лотки.
 Укажите радиус при заказе.

Part No	T	W	A	L	Kg
GE-KT1-DB-5-A40	1	50	40	370	0.91
GE-KT1-DB-7-A40	1	70	40	390	0.96
GE-KT1-DB-10-A40	1	100	40	420	1.05
GE-KT1-DB-12-A40	1	120	40	440	1.11
GE-KT1-DB-15-A40	1	150	40	470	1.22
GE-KT1-DB-20-A40	1.2	200	40	520	1.60
GE-KT1-DB-22-A40	1.2	225	40	545	1.74
GE-KT1-DB-25-A40	1.2	250	40	570	1.91
GE-KT1-DB-30-A40	1.2	300	40	620	2.49
GE-KT1-DB-40-A40	1.5	400	40	720	4.01
GE-KT1-DB-45-A40	1.5	450	40	770	4.36
GE-KT1-DB-50-A40	1.5	500	40	820	5.36
GE-KT1-DB-60-A40	1.5	600	40	920	7.06
GE-KT1-DB-75-A40	1.5	750	40	1070	10.06
GE-KT1-DB-90-A40	1.5	900	40	1220	13.66

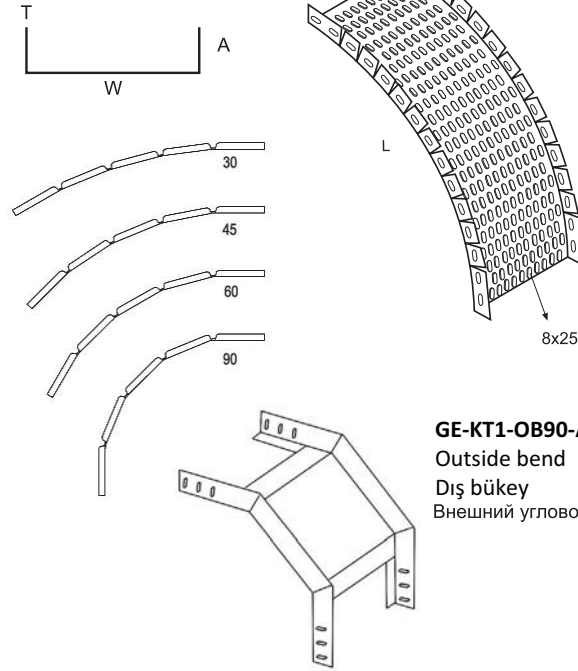
Material options: Stainless steel AISI 304 (L) (A2) / AISI 316 (L) (A4), ST-37-42 Mild Steel, Corten A, Pregalvanized steel, Aluminum
 Finish options : Hot Dip Galvanized to EN 1461, Electrogalvanized to TS 149, Electrostatic Paint Coated, Prime coated
 See material & finish option charts for available product specific selections.

Cable Trays

40

GE-KT1-OBF-A40

Flexible outside bend
 Modüler dış bükey elemanı
 Внешний угловой элемент



GE-KT1-OB90-A40

Outside bend
 Dış bükey
 Внешний угловой элемент

Part No	T	W	A	L	Kg
GE-KT1-OBF-5-A40	1	50	40	500	0.50
GE-KT1-OBF-7-A40	1	70	40	500	0.58
GE-KT1-OBF-10-A40	1	100	40	500	0.70
GE-KT1-OBF-12-A40	1	120	40	500	0.78
GE-KT1-OBF-15-A40	1	150	40	500	0.90
GE-KT1-OBF-20-A40	1.2	200	40	750	1.98
GE-KT1-OBF-22-A40	1.2	225	40	750	2.16
GE-KT1-OBF-25-A40	1.2	250	40	750	2.34
GE-KT1-OBF-30-A40	1.2	300	40	750	2.70
GE-KT1-OBF-40-A40	1.5	400	40	750	4.27
GE-KT1-OBF-45-A40	1.5	450	40	750	4.67
GE-KT1-OBF-50-A40	1.5	500	40	750	5.17
GE-KT1-OBF-60-A40	1.5	600	40	1000	8.10
GE-KT1-OBF-75-A40	1.5	750	40	1000	9.90
GE-KT1-OBF-90-A40	1.5	900	40	1000	11.70

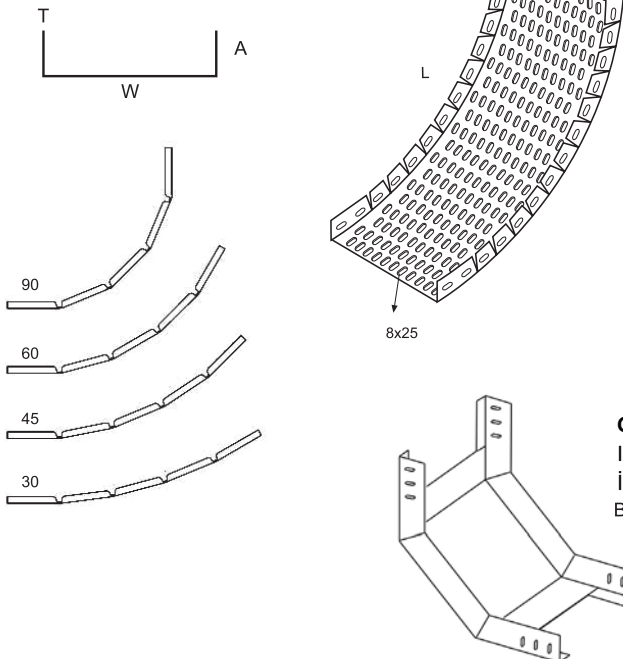
Connection to be made with splice plates.
 Please specify radius when ordering.

Birleştirme için GE-EK kullanılır.
 Siparişte radyusu belirtiniz

Соединение будет с сращивание пластин.
 Укажите радиус при заказе.

GE-KT1-IBF-A40

Flexible inside bend
 Modüler iç bükey elemanı
 Внутренний угловой элемент



GE-KT1-IB90-A40

Inside bend
 İç bükey
 Внутренний угловой элемент

Part No	T	W	A	L	Kg
GE-KT1-IBF-5-A40	1	50	40	500	0.50
GE-KT1-IBF-7-A40	1	70	40	500	0.58
GE-KT1-IBF-10-A40	1	100	40	500	0.70
GE-KT1-IBF-12-A40	1	120	40	500	0.78
GE-KT1-IBF-15-A40	1	150	40	500	0.90
GE-KT1-IBF-20-A40	1.2	200	40	750	1.98
GE-KT1-IBF-22-A40	1.2	225	40	750	2.16
GE-KT1-IBF-25-A40	1.2	250	40	750	2.34
GE-KT1-IBF-30-A40	1.2	300	40	750	2.70
GE-KT1-IBF-40-A40	1.5	400	40	750	4.27
GE-KT1-IBF-45-A40	1.5	450	40	750	4.67
GE-KT1-IBF-50-A40	1.5	500	40	750	5.17
GE-KT1-IBF-60-A40	1.5	600	40	1000	8.10
GE-KT1-IBF-75-A40	1.5	750	40	1000	9.90
GE-KT1-IBF-90-A40	1.5	900	40	1000	11.70

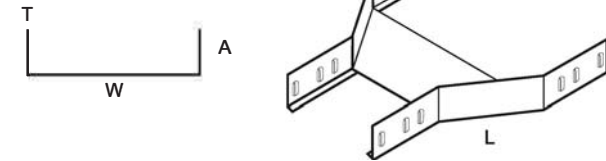
Material options: Stainless steel AISI 304 (L) (A2) / AISI 316 (L) (A4), ST-37-42 Mild Steel, Corten A, Pregalvanized steel, Aluminum
 Finish options : Hot Dip Galvanized to EN 1461, Electrogalvanized to TS 149, Electrostatic Paint Coated, Prime coated
 See material & finish option charts for available product specific selections.

Cable Trays

40

GE-KT1-R-A40

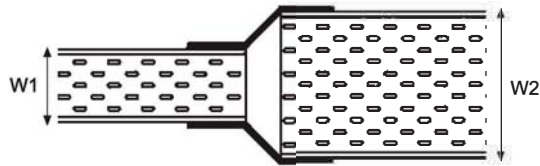
Straight reducer
 Redüksiyon
 Редукции



Part No	T	W1 - W2	A	L	Kg
GE-KT1-R-10-20-A40	1.5	100 - 200	40	300	0.55
GE-KT1-R-10-30-A40	1.5	100 - 300	40	340	0.80
GE-KT1-R-10-40-A40	1.5	100 - 400	40	400	1.15
GE-KT1-R-10-50-A40	1.5	100 - 500	40	440	1.50
GE-KT1-R-10-60-A40	1.5	100 - 600	40	490	1.90
GE-KT1-R-10-75-A40	1.5	100 - 750	40	560	2.65
GE-KT1-R-10-90-A40	1.5	100 - 900	40	650	3.65

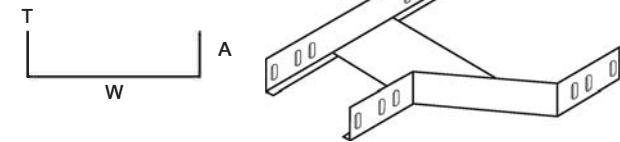
How to order / Kodlama / Как написать при заказе

GE-KT1 R 100 200 A40 PG
 (Series + Product + Width1 + Width2 + Height + Finish)



GE-KT1-RL-A40

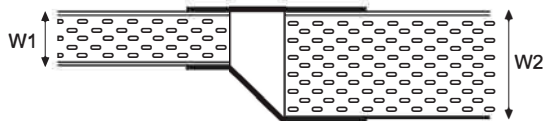
Left reducer
 Sola redüksiyon
 Редукции



Part No	T	W1 - W2	A	L	Kg
GE-KT1-RL-10-20-A40	1.5	100 - 200	40	300	0.60
GE-KT1-RL-10-30-A40	1.5	100 - 300	40	340	0.80
GE-KT1-RL-10-40-A40	1.5	100 - 400	40	400	1.20
GE-KT1-RL-10-50-A40	1.5	100 - 500	40	440	1.55
GE-KT1-RL-10-60-A40	1.5	100 - 600	40	490	2.00
GE-KT1-RL-10-75-A40	1.5	100 - 750	40	560	2.75
GE-KT1-RL-10-90-A40	1.5	100 - 900	40	650	3.75

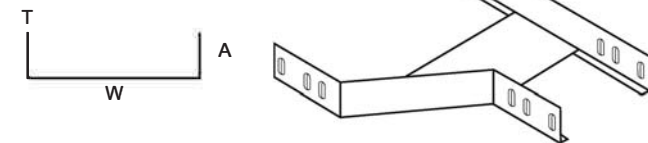
How to order / Kodlama / Как написать при заказе

GE-KT1 RL 100 200 A40 PG
 (Series + Product + Width1 + Width2 + Height + Finish)



GE-KT1-RR-A40

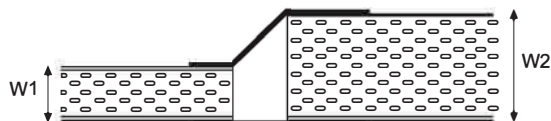
Right reducer
 Sağa redüksiyon
 Редукции



Part No	T	W1 - W2	A	L	Kg
GE-KT1-RR-10-20-A40	1.5	100 - 200	40	300	0.60
GE-KT1-RR-10-30-A40	1.5	100 - 300	40	340	0.80
GE-KT1-RR-10-40-A40	1.5	100 - 400	40	400	1.20
GE-KT1-RR-10-50-A40	1.5	100 - 500	40	440	1.55
GE-KT1-RR-10-60-A40	1.5	100 - 600	40	490	2.00
GE-KT1-RR-10-75-A40	1.5	100 - 750	40	560	2.75
GE-KT1-RR-10-90-A40	1.5	100 - 900	40	650	3.75

How to order / Kodlama / Как написать при заказе

GE-KT1 RR 100 200 A40 PG
 (Series + Product + Width1 + Width2 + Height + Finish)



Material options: Stainless steel AISI 304 (L) (A2) / AISI 316 (L) (A4), ST-37-42 Mild Steel, Corten A, Pregalvanized steel, Aluminum
 Finish options : Hot Dip Galvanized to EN 1461, Electrogalvanized to TS 149, Electrostatic Paint Coated, Prime coated
 See material & finish option charts for available product specific selections.

Cable Trays

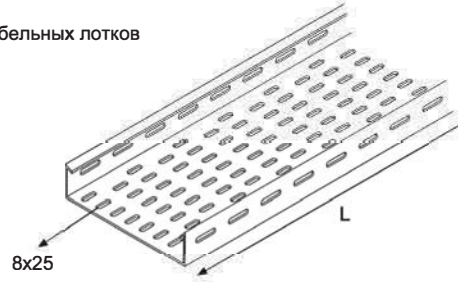
25

GE-KT2-A25

Cable trays, medium duty

Kablo kanalları

Тяжелая обязанность кабельных лотков



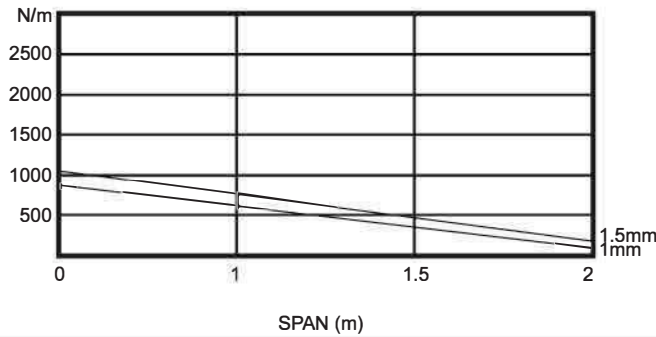
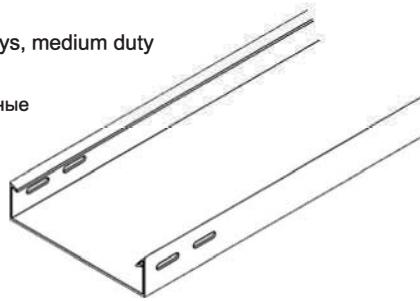
Part No	T	W	A	L	Kg/m
GE-KT2-5-A25	1	50	25	3000	0.84
GE-KT2-7-A25	1	70	25	3000	1.04
GE-KT2-10-A25	1	100	25	3000	1.28
GE-KT2-12-A25	1	120	25	3000	1.44
GE-KT2-15-A25	1	150	25	3000	1.68
GE-KT2-20-A25	1.2	200	25	3000	2.50
GE-KT2-22-A25	1.2	225	25	3000	2.74
GE-KT2-25-A25	1.2	250	25	3000	2.98
GE-KT2-30-A25	1.2	300	25	3000	3.46
GE-KT2-40-A25	1.5	400	25	3000	5.52
GE-KT2-45-A25	1.5	450	25	3000	6.12
GE-KT2-50-A25	1.5	500	25	3000	6.72
GE-KT2-60-A25	1.5	600	25	3000	7.92
GE-KT2-75-A25	1.5	750	25	3000	9.72
GE-KT2-90-A25	1.5	900	25	3000	11.52

GE-KTN2-A25

Non perforated cable trays, medium duty

Deliksiz kablo kanalları

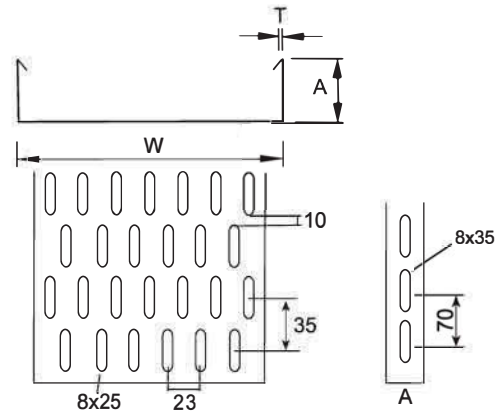
Тяжелый долг, не кабельные перфорированные лотки



Custom production available upon request.
 İsteğe göre diğer ölçülerde üretim yapılır.

Возможно изготовление продукции на заказ.

SS4 SS6 HDG PG EG ESB APB AL

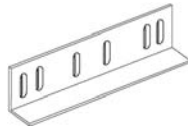


GE-EK-25

Splice plate

Ek parçası

Связующий элемент



GE-KC-2

Fixing set

Kanal civata takımı

Комплект винтового соединения



GE-LCN

PVC strip

PVC conta

Резиновые прокладки



GE-LCND

PVC strip double

PVC conta, çiftli

Резиновые прокладки



GE-SPRAY-1

Zinc spray

Çinko sprej

Спрей цинка

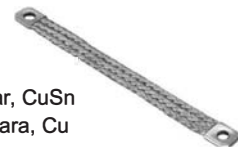


GE-BFEC-4

Flat flexible bar, CuSn

Yassı esnek bara, Cu

Провод



Material options: Stainless steel AISI 304 (L) (A2) / AISI 316 (L) (A4), ST-37-42 Mild Steel, Corten A, Pregalvanized steel, Aluminum
 Finish options : Hot Dip Galvanized to EN 1461, Electrogalvanized to TS 149, Electrostatic Paint Coated, Prime coated
 See material & finish option charts for available product specific selections.

Cable Trays

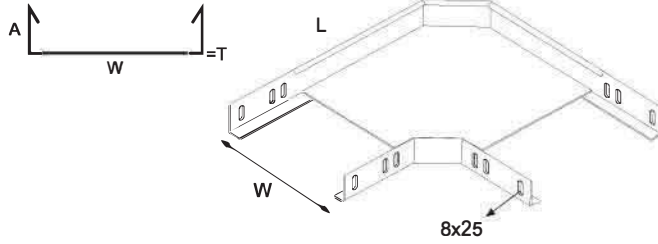
25

GE-KT2-D90-A25

90° flat bend

90° dönüş elemanı

Секция угловая горизонтальная 90°



No couplers required for fixing to cable trays.
 Please specify radius when ordering.

Birleştirme için ek parçasına gerek yoktur.
 Siparişte radyusu belirtiniz.

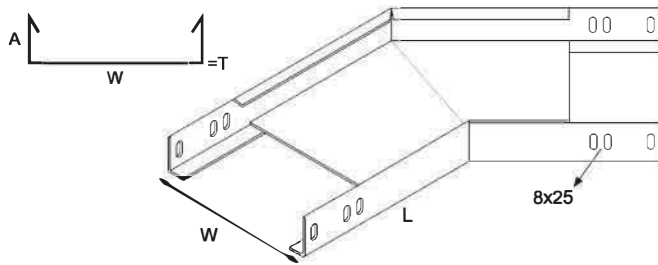
Нет арматуры, необходимой для фиксации кабеля в лотки.
 Укажите радиус при заказе.

GE-KT2-D45-A25

45° flat bend

45° dönüş elemanı

Секция угловая горизонтальная 45°



No couplers required for fixing to cable trays.
 Please specify radius when ordering.

Birleştirme için ek parçasına gerek yoktur.
 Siparişte radyusu belirtiniz.

Нет арматуры, необходимой для фиксации кабеля в лотки.
 Укажите радиус при заказе.

Part No	T	W	A	L	Kg
GE-KT2-D90-5-A25	1	50	25	210	0.41
GE-KT2-D90-7-A25	1	70	25	230	0.47
GE-KT2-D90-10-A25	1	100	25	260	0.56
GE-KT2-D90-12-A25	1	120	25	280	0.64
GE-KT2-D90-15-A25	1	150	25	310	0.75
GE-KT2-D90-20-A25	1.2	200	25	360	1.10
GE-KT2-D90-22-A25	1.2	225	25	385	1.25
GE-KT2-D90-25-A25	1.2	250	25	410	1.42
GE-KT2-D90-30-A25	1.2	300	25	470	1.95
GE-KT2-D90-40-A25	1.5	400	25	570	3.40
GE-KT2-D90-45-A25	1.5	450	25	610	4.10
GE-KT2-D90-50-A25	1.5	500	25	660	4.80
GE-KT2-D90-60-A25	1.5	600	25	760	6.50
GE-KT2-D90-75-A25	1.5	750	25	910	9.50
GE-KT2-D90-90-A25	1.5	900	25	1060	13.20

Flat bends in 90°, 60°, 45°, 30° are available on request.
 90° flat bend is supplied as standard unless the angle is specified when ordering.

90°, 60°, 45°, 30° dönüşler mevcuttur.
 Başka ölçü belirtilmedikçe standart 90° teslim edilir.

Угловые элементы могут быть изготовлены 90, 60, 45, 30. Стандартный размер 90, кроме случаев оговорённых при заказе.

Part No	T	W	A	L	Kg
GE-KT2-D45-5-A25	1	50	25	210	0.41
GE-KT2-D45-7-A25	1	70	25	230	0.47
GE-KT2-D45-10-A25	1	100	25	260	0.56
GE-KT2-D45-12-A25	1	120	25	280	0.64
GE-KT2-D45-15-A25	1	150	25	310	0.75
GE-KT2-D45-20-A25	1.2	200	25	360	1.10
GE-KT2-D45-22-A25	1.2	225	25	385	1.25
GE-KT2-D45-25-A25	1.2	250	25	410	1.42
GE-KT2-D45-30-A25	1.2	300	25	470	1.95
GE-KT2-D45-40-A25	1.5	400	25	570	3.40
GE-KT2-D45-45-A25	1.5	450	25	610	4.10
GE-KT2-D45-50-A25	1.5	500	25	660	4.80
GE-KT2-D45-60-A25	1.5	600	25	760	6.50
GE-KT2-D45-75-A25	1.5	750	25	910	9.50
GE-KT2-D45-90-A25	1.5	900	25	1060	13.20

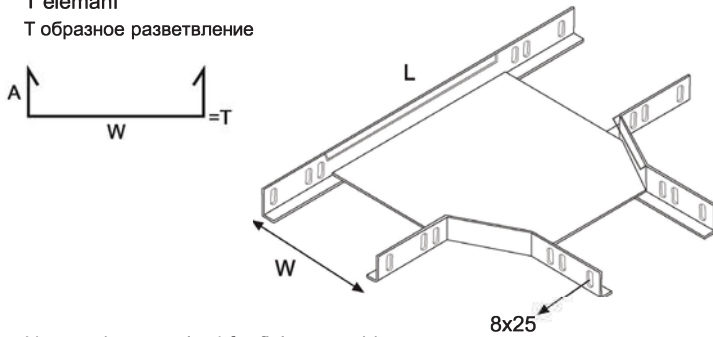
Material options: Stainless steel AISI 304 (L) (A2) / AISI 316 (L) (A4), ST-37-42 Mild Steel, Corten A, Pregalvanized steel, Aluminum
 Finish options : Hot Dip Galvanized to EN 1461, Electrogalvanized to TS 149, Electrostatic Paint Coated, Prime coated
 See material & finish option charts for available product specific selections.

Cable Trays

25

GE-KT2-T-A25

Tee
 T elemanı
 T образное разветвление

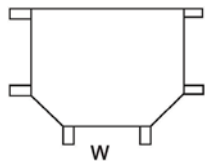


No couplers required for fixing to cable trays.
 Please specify radius when ordering.

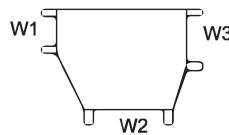
Birleştirme için ek parçasına gerek yoktur.
 Siparişte radyusu belirtiniz.

Нет арматуры, необходимой для фиксации кабеля в лотки.
 Укажите радиус при заказе.

Part No	T	W	A	L	Kg
GE-KT2-T-5-A25	1	50	25	370	0.54
GE-KT2-T-7-A25	1	70	25	390	0.58
GE-KT2-T-10-A25	1	100	25	420	0.67
GE-KT2-T-12-A25	1	120	25	440	0.72
GE-KT2-T-15-A25	1	150	25	470	0.83
GE-KT2-T-20-A25	1.2	200	25	520	1.15
GE-KT2-T-22-A25	1.2	225	25	545	1.30
GE-KT2-T-25-A25	1.2	250	25	570	1.45
GE-KT2-T-30-A25	1.2	300	25	620	2.25
GE-KT2-T-40-A25	1.5	400	25	720	3.35
GE-KT2-T-45-A25	1.5	450	25	770	3.99
GE-KT2-T-50-A25	1.5	500	25	820	4.71
GE-KT2-T-60-A25	1.5	600	25	920	6.30
GE-KT2-T-75-A25	1.5	750	25	1070	9.25
GE-KT2-T-90-A25	1.5	900	25	1220	12.80



Equal Tee
 E-ıt T Elemanı
 Равное разветвление



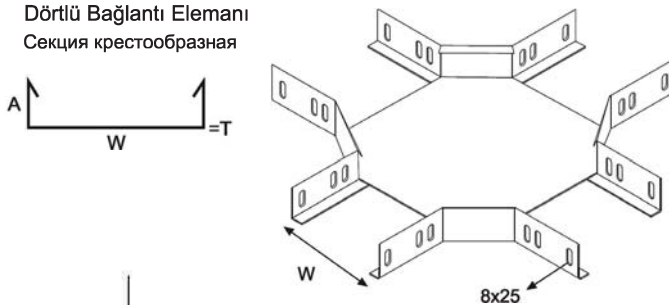
Unequal Tee
 Eşit olmayan T Elemanı
 Неравное разветвление

Please specify the widths of unequal tees by drawing.
 Eşit olmayan T'lerde W ölçülerini siparişte belirtiniz.

Укажите размеры W неравного T-образного разветвления.

GE-KT2-DB-A25

Crossing
 Dörtlü Bağlantı Elemanı
 Секция крестообразная



No couplers required for fixing to cable trays.
 Please specify radius when ordering.

Birleştirme için ek parçasına gerek yoktur.
 Siparişte radyusu belirtiniz.

Нет арматуры, необходимой для фиксации кабеля в лотки.
 Укажите радиус при заказе.

Part No	T	W	A	L	Kg
GE-KT2-DB-5-A25	1	50	25	370	0.73
GE-KT2-DB-7-A25	1	70	25	390	0.78
GE-KT2-DB-10-A25	1	100	25	420	0.87
GE-KT2-DB-12-A25	1	120	25	440	0.93
GE-KT2-DB-15-A25	1	150	25	470	1.04
GE-KT2-DB-20-A25	1.2	200	25	520	1.42
GE-KT2-DB-22-A25	1.2	225	25	545	1.56
GE-KT2-DB-25-A25	1.2	250	25	570	1.73
GE-KT2-DB-30-A25	1.2	300	25	620	2.25
GE-KT2-DB-40-A25	1.5	400	25	720	3.77
GE-KT2-DB-45-A25	1.5	450	25	770	4.12
GE-KT2-DB-50-A25	1.5	500	25	820	5.15
GE-KT2-DB-60-A25	1.5	600	25	920	6.82
GE-KT2-DB-75-A25	1.5	750	25	1070	9.82
GE-KT2-DB-90-A25	1.5	900	25	1220	13.42

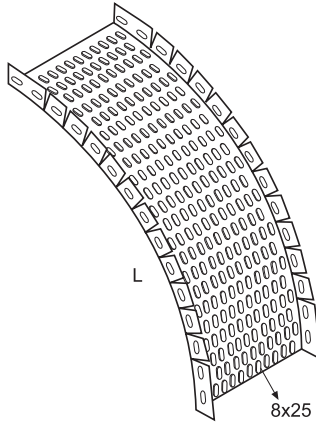
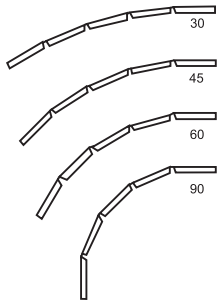
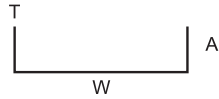
Material options: Stainless steel AISI 304 (L) (A2) / AISI 316 (L) (A4), ST-37-42 Mild Steel, Corten A, Pregalvanized steel, Aluminum
 Finish options : Hot Dip Galvanized to EN 1461, Electrogalvanized to TS 149, Electrostatic Paint Coated, Prime coated
 See material & finish option charts for available product specific selections.

Cable Trays

25

GE-KT2-OBF-A25

Flexible outside bend
 Modüler dış bükey elemanı
 Внешний угловой элемент



Part No	T	W	A	L	Kg
GE-KT2-OBF-5-A25	1	50	25	500	0.38
GE-KT2-OBF-7-A25	1	70	25	500	0.46
GE-KT2-OBF-10-A25	1	100	25	500	0.58
GE-KT2-OBF-12-A25	1	120	25	500	0.66
GE-KT2-OBF-15-A25	1	150	25	500	0.78
GE-KT2-OBF-20-A25	1.2	200	25	750	1.76
GE-KT2-OBF-22-A25	1.2	225	25	750	1.95
GE-KT2-OBF-25-A25	1.2	250	25	750	2.14
GE-KT2-OBF-30-A25	1.2	300	25	750	2.48
GE-KT2-OBF-40-A25	1.5	400	25	750	4.00
GE-KT2-OBF-45-A25	1.5	450	25	750	4.46
GE-KT2-OBF-50-A25	1.5	500	25	750	4.90
GE-KT2-OBF-60-A25	1.5	600	25	1000	7.74
GE-KT2-OBF-75-A25	1.5	750	25	1000	9.54
GE-KT2-OBF-90-A25	1.5	900	25	1000	11.35

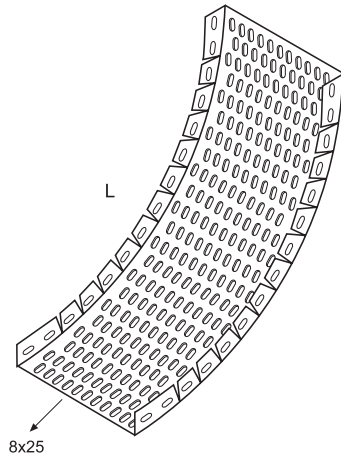
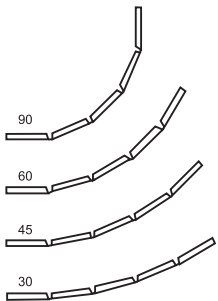
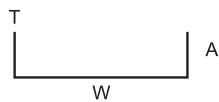
Connection to be made with splice plates.
 Please specify radius when ordering.

Birleştirme için GE-EK kullanılır.
 Siparişte radyusu belirtiniz

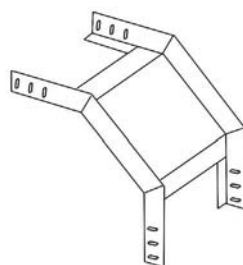
Соединение будет с сращивание пластин.
 Укажите радиус при заказе.

GE-KT2-IBF-A25

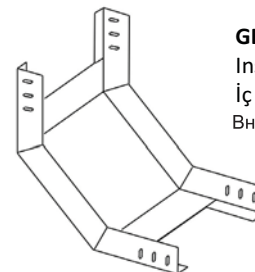
Flexible inside bend
 Modüler iç bükey elemanı
 Внутренний угловой элемент



Part No	T	W	A	L	Kg
GE-KT2-IBF-5-A25	1	50	25	500	0.38
GE-KT2-IBF-7-A25	1	70	25	500	0.46
GE-KT2-IBF-10-A25	1	100	25	500	0.58
GE-KT2-IBF-12-A25	1	120	25	500	0.66
GE-KT2-IBF-15-A25	1	150	25	500	0.78
GE-KT2-IBF-20-A25	1.2	200	25	750	1.76
GE-KT2-IBF-22-A25	1.2	225	25	750	1.95
GE-KT2-IBF-25-A25	1.2	250	25	750	2.14
GE-KT2-IBF-30-A25	1.2	300	25	750	2.48
GE-KT2-IBF-40-A25	1.5	400	25	750	4.00
GE-KT2-IBF-45-A25	1.5	450	25	750	4.46
GE-KT2-IBF-50-A25	1.5	500	25	750	4.90
GE-KT2-IBF-60-A25	1.5	600	25	1000	7.74
GE-KT2-IBF-75-A25	1.5	750	25	1000	9.54
GE-KT2-IBF-90-A25	1.5	900	25	1000	11.35



GE-KT2-OB90-A25
 Outside bend
 Dış bükey
 Внешний угловой элемент



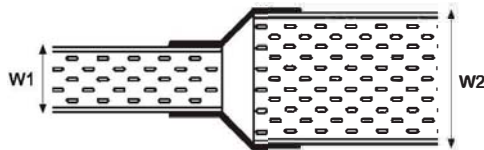
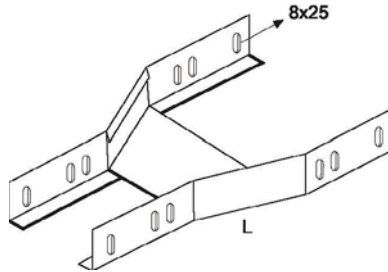
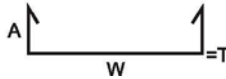
GE-KT2-IB90-A25
 Inside bend
 İç bükey
 Внутренний угловой элемент

Material options: Stainless steel AISI 304 (L) (A2) / AISI 316 (L) (A4), ST-37-42 Mild Steel, Corten A, Pregalvanized steel, Aluminum
 Finish options : Hot Dip Galvanized to EN 1461, Electrogalvanized to TS 149, Electrostatic Paint Coated, Prime coated
 See material & finish option charts for available product specific selections.

Cable Trays

25

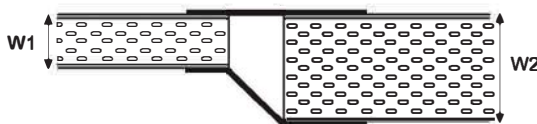
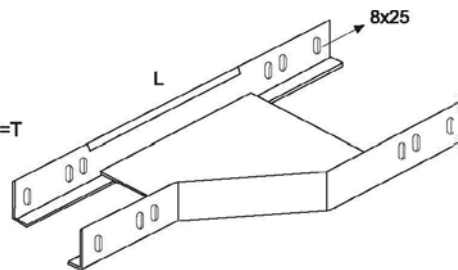
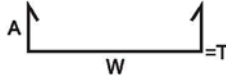
GE-KT2-R-A25
 Straight reducer
 Redüksiyon
 Редукции



Part No	T	W1 - W2	A	L	Kg
GE-KT2-R-10-20-A25	1.5	100 - 200	25	300	0.50
GE-KT2-R-10-30-A25	1.5	100 - 300	25	340	0.75
GE-KT2-R-10-40-A25	1.5	100 - 400	25	400	1.10
GE-KT2-R-10-50-A25	1.5	100 - 500	25	440	1.40
GE-KT2-R-10-60-A25	1.5	100 - 600	25	490	1.85
GE-KT2-R-10-75-A25	1.5	100 - 750	25	560	2.55
GE-KT2-R-10-90-A25	1.5	100 - 900	25	650	3.55

How to order / Kodlama / Как написать при заказе
 GE-KT2 R 100 200 A25 PG
 (Series + Product + Width1 + Width2 + Height + Finish)

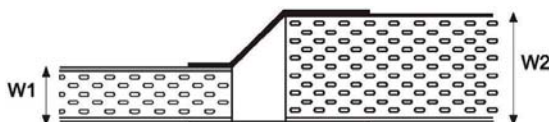
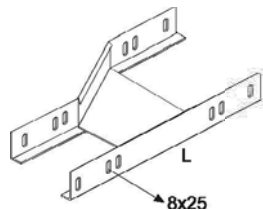
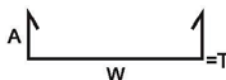
GE-KT2-RL-A25
 Left reducer
 Sola redüksiyon
 Редукции



Part No	T	W1 - W2	A	L	Kg
GE-KT2-RL-10-20-A25	1.5	100 - 200	25	300	0.55
GE-KT2-RL-10-30-A25	1.5	100 - 300	25	340	0.75
GE-KT2-RL-10-40-A25	1.5	100 - 400	25	400	1.10
GE-KT2-RL-10-50-A25	1.5	100 - 500	25	440	1.45
GE-KT2-RL-10-60-A25	1.5	100 - 600	25	490	1.90
GE-KT2-RL-10-75-A25	1.5	100 - 750	25	560	2.65
GE-KT2-RL-10-90-A25	1.5	100 - 900	25	650	3.65

How to order / Kodlama / Как написать при заказе
 GE-KT2 RL 100 200 A25 PG
 (Series + Product + Width1 + Width2 + Height + Finish)

GE-KT2-RR-A25
 Right reducer
 Sağa redüksiyon
 Редукции



Part No	T	W1 - W2	A	L	Kg
GE-KT2-RR-10-20-A25	1.5	100 - 200	25	300	0.55
GE-KT2-RR-10-30-A25	1.5	100 - 300	25	340	0.75
GE-KT2-RR-10-40-A25	1.5	100 - 400	25	400	1.10
GE-KT2-RR-10-50-A25	1.5	100 - 500	25	440	1.45
GE-KT2-RR-10-60-A25	1.5	100 - 600	25	490	1.90
GE-KT2-RR-10-75-A25	1.5	100 - 750	25	560	2.65
GE-KT2-RR-10-90-A25	1.5	100 - 900	25	650	3.65

How to order / Kodlama / Как написать при заказе
 GE-KT2 RR 100 200 A25 PG
 (Series + Product + Width1 + Width2 + Height + Finish)

Material options: Stainless steel AISI 304 (L) (A2) / AISI 316 (L) (A4), ST-37-42 Mild Steel, Corten A, Pregalvanized steel, Aluminum
 Finish options : Hot Dip Galvanized to EN 1461, Electrogalvanized to TS 149, Electrostatic Paint Coated, Prime coated
 See material & finish option charts for available product specific selections.

Cable Trays

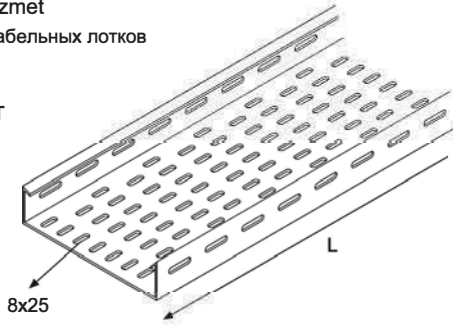
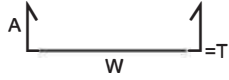
40

GE-KT2-A40

Cable trays, heavy duty

Kablo kanalları, ağır hizmet

Тяжелая обязанность кабельных лотков



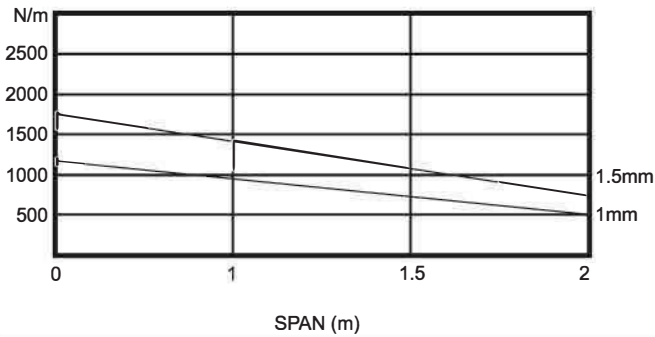
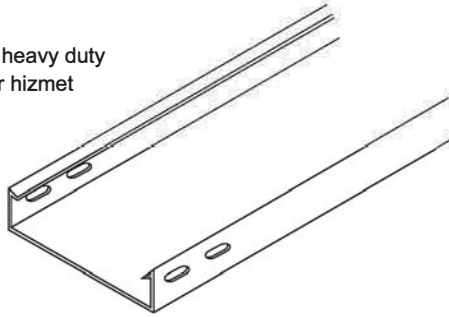
Part No	T	W	A	L	Kg/m
GE-KT2-5-A40	1	50	40	3000	1.12
GE-KT2-7-A40	1	70	40	3000	1.28
GE-KT2-10-A40	1	100	40	3000	1.52
GE-KT2-12-A40	1	120	40	3000	1.68
GE-KT2-15-A40	1	150	40	3000	1.92
GE-KT2-20-A40	1.2	200	40	3000	2.79
GE-KT2-22-A40	1.2	225	40	3000	3.03
GE-KT2-25-A40	1.2	250	40	3000	3.27
GE-KT2-30-A40	1.2	300	40	3000	3.75
GE-KT2-40-A40	1.5	400	40	3000	5.88
GE-KT2-45-A40	1.5	450	40	3000	6.48
GE-KT2-50-A40	1.5	500	40	3000	7.08
GE-KT2-60-A40	1.5	600	40	3000	8.28
GE-KT2-75-A40	1.5	750	40	3000	10.08
GE-KT2-90-A40	1.5	900	40	3000	11.90

GE-KTN2-A40

Non perforated cable trays, heavy duty

Deliksiz kablo kanalları, ağır hizmet

Тяжелый долг, не кабельные перфорированные лотки

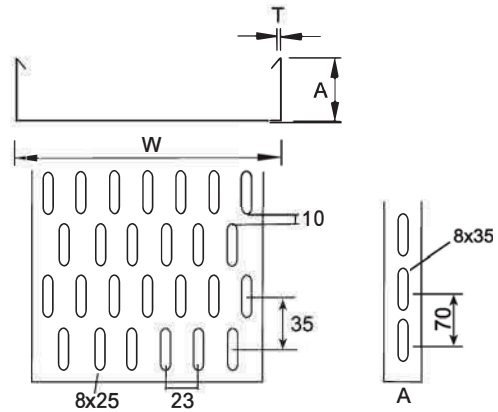


Custom production available upon request.

İsteğe göre diğer ölçülerde üretim yapılır.

Возможно изготовление продукции на заказ.

SS4 SS6 HDG PG EG ESB APB AL

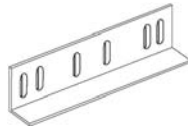


GE-EK-40

Splice plate

Ek parçası

Связующий элемент



GE-LCN

PVC strip

PVC conta

Резиновые прокладки



GE-SPRAY-1

Zinc spray

Çinko sprej

Спрей цинка



GE-KC-2

Fixing set

Kanal civata takımı

Комплект винтового соединения



GE-LCND

PVC strip double

PVC conta, çiftli

Резиновые прокладки

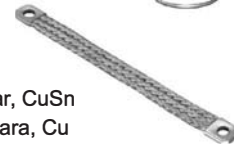


GE-BFEC-4

Flat flexible bar, CuSn

Yassı esnek bara, Cu

Провод



Material options: Stainless steel AISI 304 (L) (A2) / AISI 316 (L) (A4), ST-37-42 Mild Steel, Corten A, Pregalvanized steel, Aluminum
 Finish options : Hot Dip Galvanized to EN 1461, Electrogalvanized to TS 149, Electrostatic Paint Coated, Prime coated
 See material & finish option charts for available product specific selections.

Cable Trays

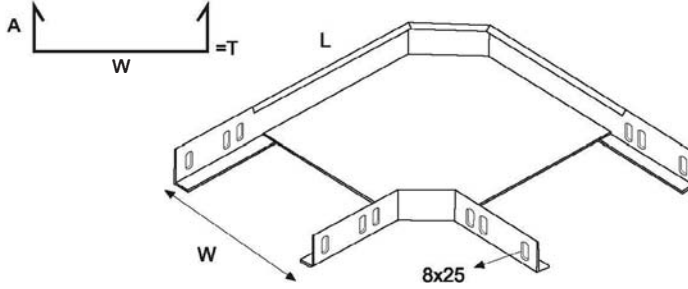
40

GE-KT2-D90-A40

90° flat bend

90° dönüş elemanı

Секция угловая горизонтальная 90°



No couplers required for fixing to cable trays.
 Please specify radius when ordering.

Birleştirme için ek parçasına gerek yoktur.
 Siparişte radyusu belirtiniz.

Нет арматуры, необходимой для фиксации кабеля в лотки.
 Укажите радиус при заказе.

Part No	T	W	A	L	Kg
GE-KT2-D90-5-A40	1	50	40	210	0.51
GE-KT2-D90-7-A40	1	70	40	230	0.58
GE-KT2-D90-10-A40	1	100	40	260	0.67
GE-KT2-D90-12-A40	1	120	40	280	0.76
GE-KT2-D90-15-A40	1	150	40	310	0.89
GE-KT2-D90-20-A40	1.2	200	40	360	1.24
GE-KT2-D90-22-A40	1.2	225	40	385	1.41
GE-KT2-D90-25-A40	1.2	250	40	410	1.58
GE-KT2-D90-30-A40	1.2	300	40	470	2.48
GE-KT2-D90-40-A40	1.5	400	40	570	3.68
GE-KT2-D90-45-A40	1.5	450	40	610	4.37
GE-KT2-D90-50-A40	1.5	500	40	660	5.15
GE-KT2-D90-60-A40	1.5	600	40	760	6.85
GE-KT2-D90-75-A40	1.5	750	40	910	9.90
GE-KT2-D90-90-A40	1.5	900	40	1060	13.68

Flat bends in 90°, 60°, 45°, 30° are available on request.
 90° flat bend is supplied as standard unless the angle is specified when ordering.

90°, 60°, 45°, 30° dönüşler mevcuttur.
 Başka ölçü belirtilmedikçe standart 90° teslim edilir.

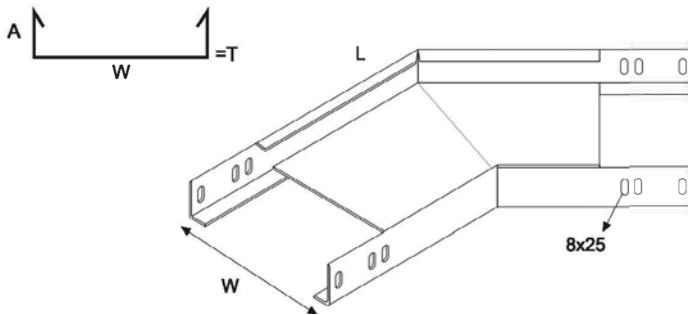
Угловые элементы могут быть изготовлены 90, 60, 45, 30. Стандартный размер 90, кроме случаев оговорённых при заказе.

GE-KT2-D45-A40

45° flat bend

45° dönüş elemanı

Секция угловая горизонтальная 45°



No couplers required for fixing to cable trays.
 Please specify radius when ordering.

Birleştirme için ek parçasına gerek yoktur.
 Siparişte radyusu belirtiniz.

Нет арматуры, необходимой для фиксации кабеля в лотки.
 Укажите радиус при заказе.

Part No	T	W	A	L	Kg
GE-KT2-D45-5-A40	1	50	40	210	0.51
GE-KT2-D45-7-A40	1	70	40	230	0.58
GE-KT2-D45-10-A40	1	100	40	260	0.67
GE-KT2-D45-12-A40	1	120	40	280	0.76
GE-KT2-D45-15-A40	1	150	40	310	0.89
GE-KT2-D45-20-A40	1.2	200	40	360	1.24
GE-KT2-D45-22-A40	1.2	225	40	385	1.41
GE-KT2-D45-25-A40	1.2	250	40	410	1.58
GE-KT2-D45-30-A40	1.2	300	40	470	2.48
GE-KT2-D45-40-A40	1.5	400	40	570	3.68
GE-KT2-D45-45-A40	1.5	450	40	610	4.37
GE-KT2-D45-50-A40	1.5	500	40	660	5.15
GE-KT2-D45-60-A40	1.5	600	40	760	6.85
GE-KT2-D45-75-A40	1.5	750	40	910	9.90
GE-KT2-D45-90-A40	1.5	900	40	1060	13.68

Material options: Stainless steel AISI 304 (L) (A2) / AISI 316 (L) (A4), ST-37-42 Mild Steel, Corten A, Pregalvanized steel, Aluminum
 Finish options : Hot Dip Galvanized to EN 1461, Electrogalvanized to TS 149, Electrostatic Paint Coated, Prime coated
 See material & finish option charts for available product specific selections.

Cable Trays

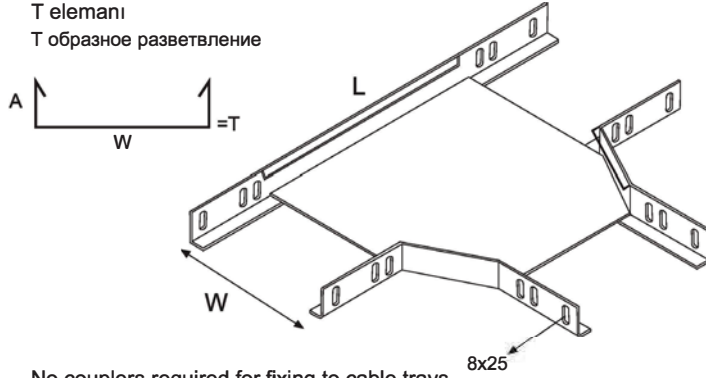
40

GE-KT2-T-A40

Tee

T elemanı

T образное разветвление

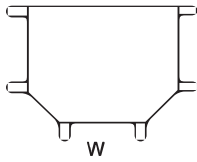


No couplers required for fixing to cable trays.
 Please specify radius when ordering.

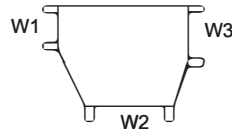
Birleştirme için ek parçasına gerek yoktur.
 Siparişte radyusu belirtiniz.

Нет арматуры, необходимой для фиксации кабеля в лотки.
 Укажите радиус при заказе.

Part No	T	W	A	L	Kg
GE-KT2-T-5-A40	1	50	40	370	0.71
GE-KT2-T-7-A40	1	70	40	390	0.78
GE-KT2-T-10-A40	1	100	40	420	0.86
GE-KT2-T-12-A40	1	120	40	440	0.92
GE-KT2-T-15-A40	1	150	40	470	1.10
GE-KT2-T-20-A40	1.2	200	40	520	1.42
GE-KT2-T-22-A40	1.2	225	40	545	1.57
GE-KT2-T-25-A40	1.2	250	40	570	1.74
GE-KT2-T-30-A40	1.2	300	40	620	2.35
GE-KT2-T-40-A40	1.5	400	40	720	3.84
GE-KT2-T-45-A40	1.5	450	40	770	4.54
GE-KT2-T-50-A40	1.5	500	40	820	5.29
GE-KT2-T-60-A40	1.5	600	40	920	6.97
GE-KT2-T-75-A40	1.5	750	40	1070	10.00
GE-KT2-T-90-A40	1.5	900	40	1220	13.62



Equal Tee
 E•it T Elemanı
 Равное разветвление



Unequal Tee
 Eşit olmayan T Elemanı
 Неравное разветвление

Please specify the widths of unequal tees by drawing.
 Eşit olmayan T' lerde W ölçülerini siparişte belirtiniz.

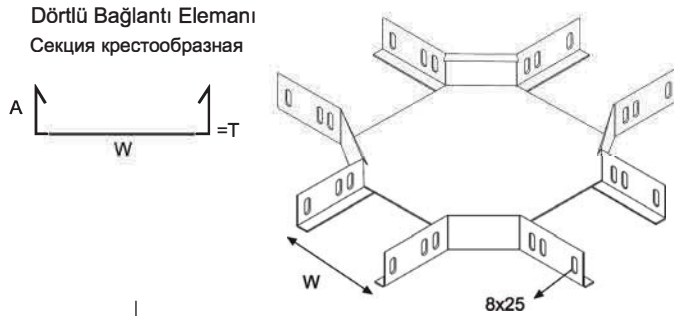
Укажите размеры W неравного T-образного разветвления.

GE-KT2-DB-A40

Crossing

Dörtlü Bağlantı Elemanı

Секция крестообразная



No couplers required for fixing to cable trays.
 Please specify radius when ordering.

Birleştirme için ek parçasına gerek yoktur.
 Siparişte radyusu belirtiniz.

Нет арматуры, необходимой для фиксации кабеля в лотки.
 Укажите радиус при заказе.

Part No	T	W	A	L	Kg
GE-KT2-DB-5-A40	1	50	40	370	0.91
GE-KT2-DB-7-A40	1	70	40	390	0.96
GE-KT2-DB-10-A40	1	100	40	420	1.05
GE-KT2-DB-12-A40	1	120	40	440	1.11
GE-KT2-DB-15-A40	1	150	40	470	1.22
GE-KT2-DB-20-A40	1.2	200	40	520	1.60
GE-KT2-DB-22-A40	1.2	225	40	545	1.74
GE-KT2-DB-25-A40	1.2	250	40	570	1.91
GE-KT2-DB-30-A40	1.2	300	40	620	2.49
GE-KT2-DB-40-A40	1.5	400	40	720	4.01
GE-KT2-DB-45-A40	1.5	450	40	770	4.36
GE-KT2-DB-50-A40	1.5	500	40	820	5.36
GE-KT2-DB-60-A40	1.5	600	40	920	7.06
GE-KT2-DB-75-A40	1.5	750	40	1070	10.06
GE-KT2-DB-90-A40	1.5	900	40	1220	13.66

Material options: Stainless steel AISI 304 (L) (A2) / AISI 316 (L) (A4), ST-37-42 Mild Steel, Corten A, Pregalvanized steel, Aluminum
 Finish options : Hot Dip Galvanized to EN 1461, Electrogalvanized to TS 149, Electrostatic Paint Coated, Prime coated
 See material & finish option charts for available product specific selections.

Cable Trays

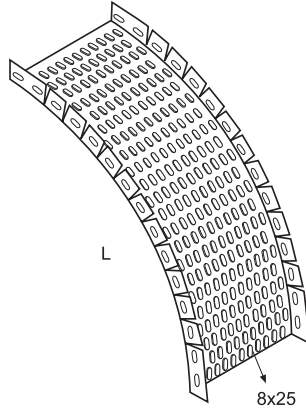
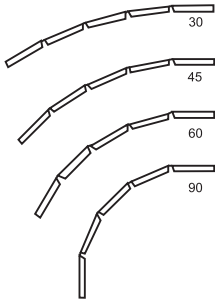
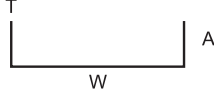
40

GE-KT2-OBF-A40

Flexible outside bend

Modüler dış bükey elemanı

Внешний угловой элемент



Part No	T	W	A	L	Kg
GE-KT2-OBF-5-A40	1	50	40	500	0.56
GE-KT2-OBF-7-A40	1	70	40	500	0.64
GE-KT2-OBF-10-A40	1	100	40	500	0.76
GE-KT2-OBF-12-A40	1	120	40	500	0.84
GE-KT2-OBF-15-A40	1	150	40	500	0.96
GE-KT2-OBF-20-A40	1.2	200	40	750	2.10
GE-KT2-OBF-22-A40	1.2	225	40	750	2.27
GE-KT2-OBF-25-A40	1.2	250	40	750	2.45
GE-KT2-OBF-30-A40	1.2	300	40	750	3.50
GE-KT2-OBF-40-A40	1.5	400	40	750	4.41
GE-KT2-OBF-45-A40	1.5	450	40	750	4.86
GE-KT2-OBF-50-A40	1.5	500	40	750	5.30
GE-KT2-OBF-60-A40	1.5	600	40	1000	8.28
GE-KT2-OBF-75-A40	1.5	750	40	1000	10.08
GE-KT2-OBF-90-A40	1.5	900	40	1000	11.90

Connection to be made with splice plates.
 Please specify radius when ordering.

Birleştirme için GE-EK kullanılır.
 Siparişte radyusu belirtiniz

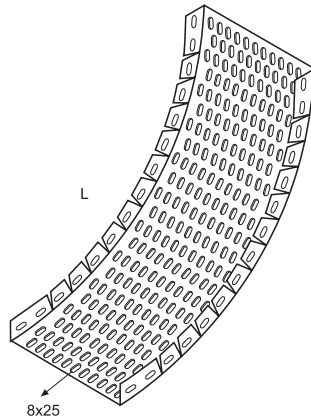
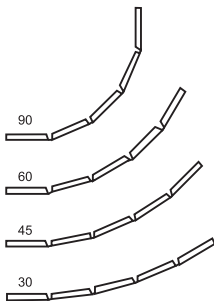
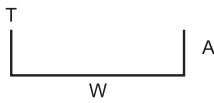
Соединение будет с сращивание пластин.
 Укажите радиус при заказе.

GE-KT2-IBF-A40

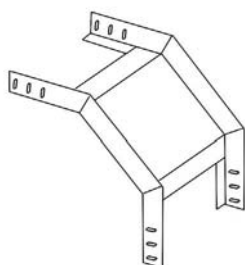
Flexible inside bend

Modüler iç bükey elemanı

Внутренний угловой элемент



Part No	T	W	A	L	Kg
GE-KT2-IBF-5-A40	1	50	40	500	0.56
GE-KT2-IBF-7-A40	1	70	40	500	0.64
GE-KT2-IBF-10-A40	1	100	40	500	0.76
GE-KT2-IBF-12-A40	1	120	40	500	0.84
GE-KT2-IBF-15-A40	1	150	40	500	0.96
GE-KT2-IBF-20-A40	1.2	200	40	750	2.10
GE-KT2-IBF-22-A40	1.2	225	40	750	2.27
GE-KT2-IBF-25-A40	1.2	250	40	750	2.45
GE-KT2-IBF-30-A40	1.2	300	40	750	3.50
GE-KT2-IBF-40-A40	1.5	400	40	750	4.41
GE-KT2-IBF-45-A40	1.5	450	40	750	4.86
GE-KT2-IBF-50-A40	1.5	500	40	750	5.30
GE-KT2-IBF-60-A40	1.5	600	40	1000	8.28
GE-KT2-IBF-75-A40	1.5	750	40	1000	10.08
GE-KT2-IBF-90-A40	1.5	900	40	1000	11.90

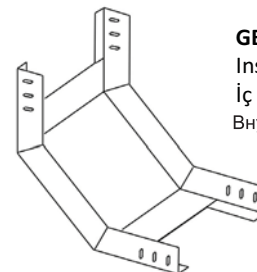


GE-KT2-OB90-A40

Outside bend

Dış bükey

Внешний угловой элемент



GE-KT2-IB90-A40

Inside bend

İç bükey

Внутренний угловой элемент

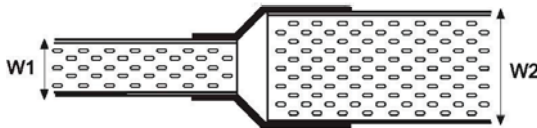
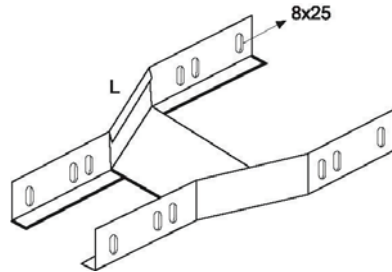
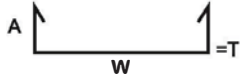
Material options: Stainless steel AISI 304 (L) (A2) / AISI 316 (L) (A4), ST-37-42 Mild Steel, Corten A, Pregalvanized steel, Aluminum
 Finish options : Hot Dip Galvanized to EN 1461, Electrogalvanized to TS 149, Electrostatic Paint Coated, Prime coated
 See material & finish option charts for available product specific selections.

Cable Trays

40

GE-KT2-R-A40

Straight reducer
 Redüksiyon
 Редукции



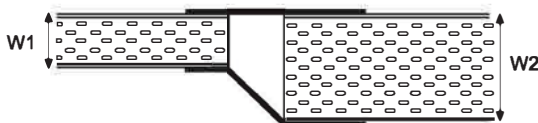
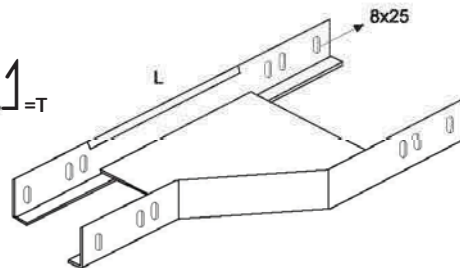
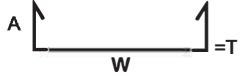
Part No	T	W1 - W2	A	L	Kg
GE-KT2-R-10-20-A40	1.5	100 - 200	40	300	0.65
GE-KT2-R-10-30-A40	1.5	100 - 300	40	340	0.85
GE-KT2-R-10-40-A40	1.5	100 - 400	40	400	1.25
GE-KT2-R-10-50-A40	1.5	100 - 500	40	440	1.60
GE-KT2-R-10-60-A40	1.5	100 - 600	40	490	2.05
GE-KT2-R-10-75-A40	1.5	100 - 750	40	560	2.80
GE-KT2-R-10-90-A40	1.5	100 - 900	40	650	3.80

How to order / Kodlama / Как написать при заказе

GE-KT2 R 100 200 A40 PG
 (Series + Product + Width1 + Width2 + Height + Finish)

GE-KT2-RL-A40

Left reducer
 Sola redüksiyon
 Редукции



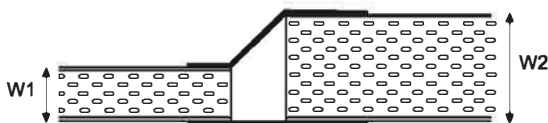
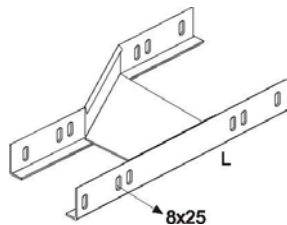
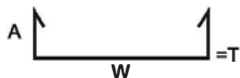
Part No	T	W1 - W2	A	L	Kg
GE-KT2-RL-10-20-A40	1.5	100 - 200	40	300	0.65
GE-KT2-RL-10-30-A40	1.5	100 - 300	40	340	0.90
GE-KT2-RL-10-40-A40	1.5	100 - 400	40	400	1.30
GE-KT2-RL-10-50-A40	1.5	100 - 500	40	440	1.65
GE-KT2-RL-10-60-A40	1.5	100 - 600	40	490	2.10
GE-KT2-RL-10-75-A40	1.5	100 - 750	40	560	2.90
GE-KT2-RL-10-90-A40	1.5	100 - 900	40	650	3.95

How to order / Kodlama / Как написать при заказе

GE-KT2 RL 100 200 A40 PG
 (Series + Product + Width1 + Width2 + Height + Finish)

GE-KT2-RR-A40

Right reducer
 Sağa redüksiyon
 Редукции



Part No	T	W1 - W2	A	L	Kg
GE-KT2-RR-10-20-A40	1.5	100 - 200	40	300	0.65
GE-KT2-RR-10-30-A40	1.5	100 - 300	40	340	0.90
GE-KT2-RR-10-40-A40	1.5	100 - 400	40	400	1.30
GE-KT2-RR-10-50-A40	1.5	100 - 500	40	440	1.65
GE-KT2-RR-10-60-A40	1.5	100 - 600	40	490	2.10
GE-KT2-RR-10-75-A40	1.5	100 - 750	40	560	2.90
GE-KT2-RR-10-90-A40	1.5	100 - 900	40	650	3.95

How to order / Kodlama / Как написать при заказе

GE-KT2 RR 100 200 A40 PG
 (Series + Product + Width1 + Width2 + Height + Finish)

Material options: Stainless steel AISI 304 (L) (A2) / AISI 316 (L) (A4), ST-37-42 Mild Steel, Corten A, Pregalvanized steel, Aluminum
 Finish options : Hot Dip Galvanized to EN 1461, Electrogalvanized to TS 149, Electrostatic Paint Coated, Prime coated
 See material & finish option charts for available product specific selections.

Cable Trays

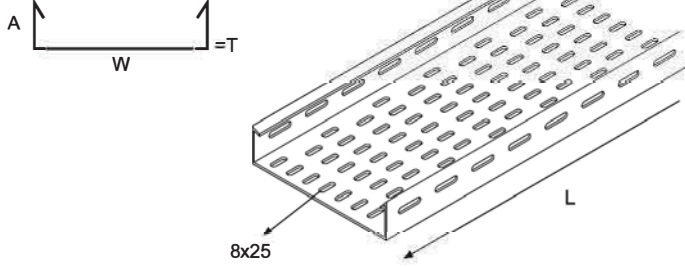
50

GE-KT2-A50

Cable trays, heavy duty

Kablo kanalları, ağır hizmet

Тяжелая обязанность кабельных лотков



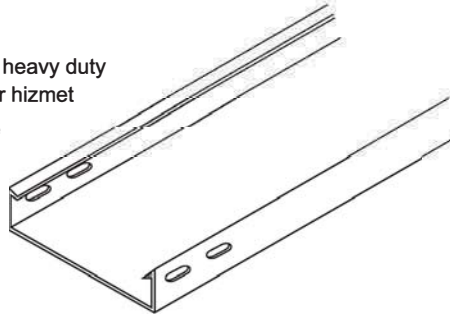
Part No	T	W	A	L	Kg
GE-KT2-5-A50	1	50	50	3000	1.30
GE-KT2-7-A50	1	70	50	3000	1.45
GE-KT2-10-A50	1	100	50	3000	1.70
GE-KT2-12-A50	1	120	50	3000	1.85
GE-KT2-15-A50	1	150	50	3000	2.10
GE-KT2-20-A50	1.2	200	50	3000	3.00
GE-KT2-22-A50	1.2	225	50	3000	3.20
GE-KT2-25-A50	1.2	250	50	3000	3.46
GE-KT2-30-A50	1.2	300	50	3000	3.95
GE-KT2-40-A50	1.5	400	50	3000	6.10
GE-KT2-45-A50	1.5	450	50	3000	6.70
GE-KT2-50-A50	1.5	500	50	3000	7.30
GE-KT2-60-A50	1.5	600	50	3000	8.50
GE-KT2-75-A50	1.5	750	50	3000	10.30
GE-KT2-90-A50	1.5	900	50	3000	12.10

GE-KTN2-A50

Non perforated cable trays, heavy duty

Deliksiz kablo kanalları, ağır hizmet

Тяжелый долг, не кабельные перфорированные лотки

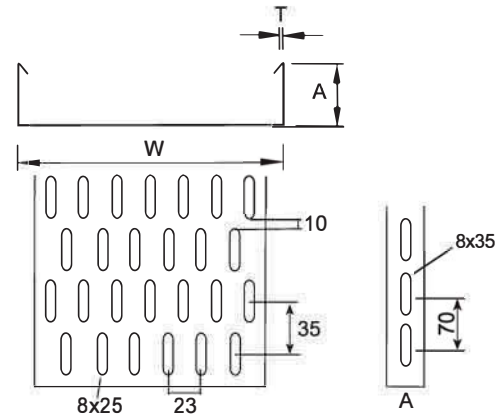
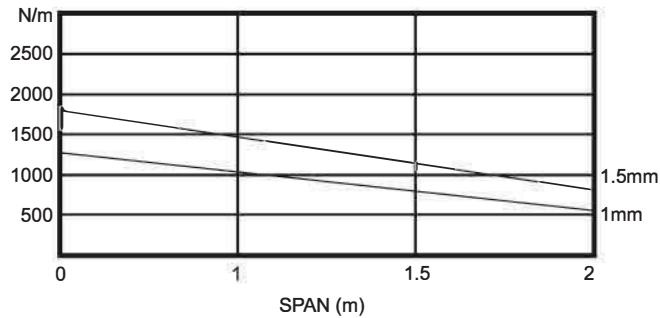


Custom production available upon request.

İsteğe göre diğer ölçülerde üretim yapılır.

Возможно изготовление продукции на заказ.

SS4 **SS6** **HDG** **PG** **EG** **ESB** **APB** **AL**

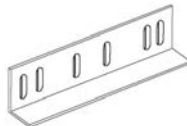


GE-EK-50

Splice plate

Ek parçası

Связующий элемент



GE-LCN

PVC strip

PVC conta

Резиновые прокладки



GE-SPRAY-1

Zinc spray

Çinko sprej

Спрей цинка



GE-KC-2

Fixing set

Kanal civata takımı

Комплект винтового соединения



GE-LCND

PVC strip double

PVC conta, çiftli

Резиновые прокладки



GE-BFEC-4

Flat flexible bar, CuSn

Yassı esnek bara, Cu

Провод



Material options: Stainless steel AISI 304 (L) (A2) / AISI 316 (L) (A4), ST-37-42 Mild Steel, Corten A, Pregalvanized steel, Aluminum
 Finish options : Hot Dip Galvanized to EN 1461, Electrogalvanized to TS 149, Electrostatic Paint Coated, Prime coated
 See material & finish option charts for available product specific selections.

Cable Trays

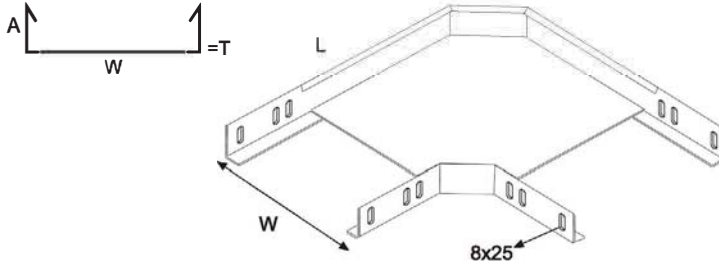
50

GE-KT2-D90-A50

90° flat bend

90° dönüş elemanı

Секция угловая горизонтальная 90°



No couplers required for fixing to cable trays.
 Please specify radius when ordering.

Birleştirme için ek parçasına gerek yoktur.
 Siparişte radyusu belirtiniz.

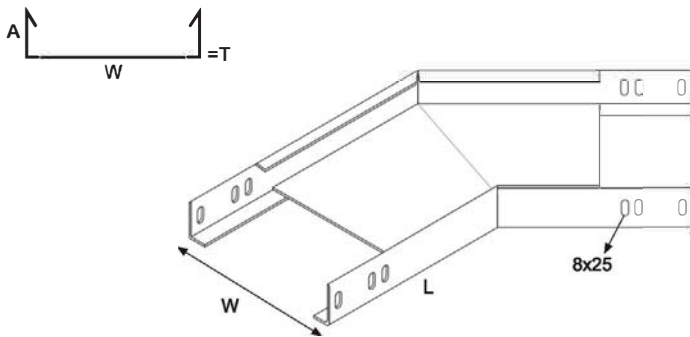
Нет арматуры, необходимой для фиксации кабеля в лотки.
 Укажите радиус при заказе.

GE-KT2-D45-A50

45° flat bend

45° dönüş elemanı

Секция угловая горизонтальная 45°



No couplers required for fixing to cable trays.
 Please specify radius when ordering.

Birleştirme için ek parçasına gerek yoktur.
 Siparişte radyusu belirtiniz.

Нет арматуры, необходимой для фиксации кабеля в лотки.
 Укажите радиус при заказе.

Part No	T	W	A	L	Kg
GE-KT2-D90-5-A50	1	50	50	210	0.59
GE-KT2-D90-7-A50	1	70	50	230	0.68
GE-KT2-D90-10-A50	1	100	50	260	0.76
GE-KT2-D90-12-A50	1	120	50	280	0.85
GE-KT2-D90-15-A50	1	150	50	310	0.99
GE-KT2-D90-20-A50	1.2	200	50	360	1.35
GE-KT2-D90-22-A50	1.2	225	50	385	1.53
GE-KT2-D90-25-A50	1.2	250	50	410	1.71
GE-KT2-D90-30-A50	1.2	300	50	470	2.32
GE-KT2-D90-40-A50	1.5	400	50	570	3.85
GE-KT2-D90-45-A50	1.5	450	50	610	4.55
GE-KT2-D90-50-A50	1.5	500	50	660	5.33
GE-KT2-D90-60-A50	1.5	600	50	760	7.10
GE-KT2-D90-75-A50	1.5	750	50	910	10.20
GE-KT2-D90-90-A50	1.5	900	50	1060	13.90

Flat bends in 90°, 60°, 45°, 30° are available on request.
 90° flat bend is supplied as standard unless the angle is specified when ordering.

90°, 60°, 45°, 30° dönüşler mevcuttur.
 Başka ölçü belirtilmedikçe standart 90° teslim edilir.

Угловые элементы могут быть изготовлены 90, 60, 45, 30. Стандартный размер 90, кроме случаев оговорённых при заказе.

Part No	T	W	A	L	Kg
GE-KT2-D45-5-A50	1	50	50	210	0.59
GE-KT2-D45-7-A50	1	70	50	230	0.68
GE-KT2-D45-10-A50	1	100	50	260	0.76
GE-KT2-D45-12-A50	1	120	50	280	0.85
GE-KT2-D45-15-A50	1	150	50	310	0.99
GE-KT2-D45-20-A50	1.2	200	50	360	1.35
GE-KT2-D45-22-A50	1.2	225	50	385	1.53
GE-KT2-D45-25-A50	1.2	250	50	410	1.71
GE-KT2-D45-30-A50	1.2	300	50	470	2.32
GE-KT2-D45-40-A50	1.5	400	50	570	3.85
GE-KT2-D45-45-A50	1.5	450	50	610	4.55
GE-KT2-D45-50-A50	1.5	500	50	660	5.33
GE-KT2-D45-60-A50	1.5	600	50	760	7.10
GE-KT2-D45-75-A50	1.5	750	50	910	10.20
GE-KT2-D45-90-A50	1.5	900	50	1060	13.90

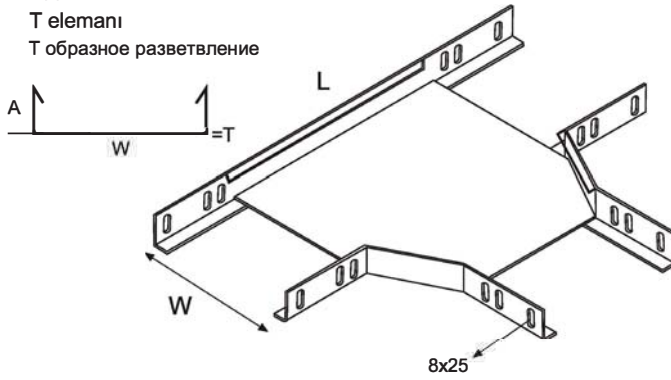
Material options: Stainless steel AISI 304 (L) (A2) / AISI 316 (L) (A4), ST-37-42 Mild Steel, Corten A, Pregalvanized steel, Aluminum
 Finish options : Hot Dip Galvanized to EN 1461, Electrogalvanized to TS 149, Electrostatic Paint Coated, Prime coated
 See material & finish option charts for available product specific selections.

Cable Trays

50

GE-KT2-T-A50

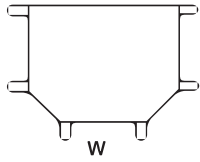
Tee
 T elemanı
 T образное разветвление



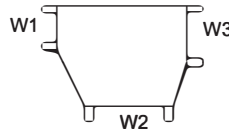
No couplers required for fixing to cable trays.
 Please specify radius when ordering.

Birleştirme için ek parçasına gerek yoktur.
 Siparişte radyusu belirtiniz.

Нет арматуры, необходимой для фиксации кабеля в лотки.
 Укажите радиус при заказе.



Equal Tee
 Eşit T Elemanı
 Равное разветвление



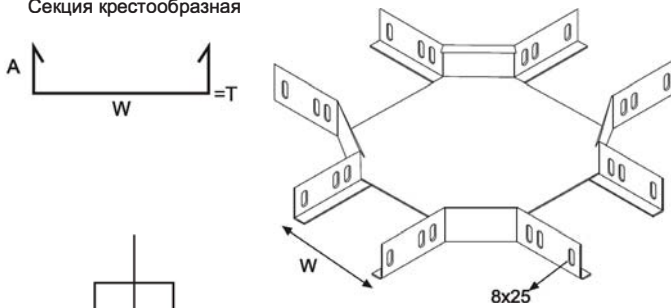
Unequal Tee
 Eşit olmayan T Elemanı
 Неравное разветвление

Please specify the widths of unequal tees by drawing.
 Eşit olmayan T'lerde W ölçülerini siparişte belirtiniz.
 Укажите размеры W неравного T-образного разветвления.

Part No	T	W	A	L	Kg
GE-KT2-T-5-A50	1	50	50	370	0.83
GE-KT2-T-7-A50	1	70	50	390	0.88
GE-KT2-T-10-A50	1	100	50	420	0.98
GE-KT2-T-12-A50	1	120	50	440	1.00
GE-KT2-T-15-A50	1	150	50	470	1.20
GE-KT2-T-20-A50	1.2	200	50	520	1.54
GE-KT2-T-22-A50	1.2	225	50	545	1.70
GE-KT2-T-25-A50	1.2	250	50	570	1.87
GE-KT2-T-30-A50	1.2	300	50	620	2.50
GE-KT2-T-40-A50	1.5	400	50	720	4.00
GE-KT2-T-45-A50	1.5	450	50	770	4.70
GE-KT2-T-50-A50	1.5	500	50	820	5.46
GE-KT2-T-60-A50	1.5	600	50	920	7.15
GE-KT2-T-75-A50	1.5	750	50	1070	10.20
GE-KT2-T-90-A50	1.5	900	50	1220	13.84

GE-KT2-DB-A50

Crossing
 Dörtlü Bağlantı Elemanı
 Секция крестообразная



No couplers required for fixing to cable trays.
 Please specify radius when ordering.

Birleştirme için ek parçasına gerek yoktur.
 Siparişte radyusu belirtiniz.

Нет арматуры, необходимой для фиксации кабеля в лотки.
 Укажите радиус при заказе.

Part No	T	W	A	L	Kg
GE-KT2-DB-5-A50	1	50	50	370	1.05
GE-KT2-DB-7-A50	1	70	50	390	1.10
GE-KT2-DB-10-A50	1	100	50	420	1.20
GE-KT2-DB-12-A50	1	120	50	440	1.25
GE-KT2-DB-15-A50	1	150	50	470	1.35
GE-KT2-DB-20-A50	1.2	200	50	520	1.73
GE-KT2-DB-22-A50	1.2	225	50	545	1.87
GE-KT2-DB-25-A50	1.2	250	50	570	2.05
GE-KT2-DB-30-A50	1.2	300	50	620	2.63
GE-KT2-DB-40-A50	1.5	400	50	720	4.15
GE-KT2-DB-45-A50	1.5	450	50	770	4.50
GE-KT2-DB-50-A50	1.5	500	50	820	5.50
GE-KT2-DB-60-A50	1.5	600	50	920	7.20
GE-KT2-DB-75-A50	1.5	750	50	1070	10.20
GE-KT2-DB-90-A50	1.5	900	50	1220	13.80

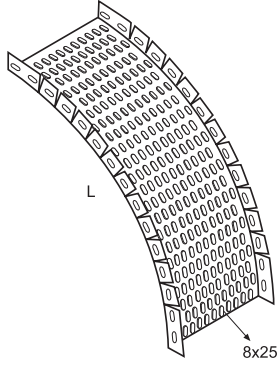
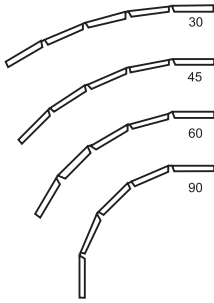
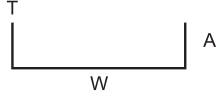
Material options: Stainless steel AISI 304 (L) (A2) / AISI 316 (L) (A4), ST-37-42 Mild Steel, Corten A, Pregalvanized steel, Aluminum
 Finish options : Hot Dip Galvanized to EN 1461, Electrogalvanized to TS 149, Electrostatic Paint Coated, Prime coated
 See material & finish option charts for available product specific selections.

Cable Trays

50

GE-KT2-OBF-A50

Flexible outside bend
 Modüler dış bükey elemanı
 Внешний угловой элемент



Part No	T	W	A	L	Kg
GE-KT2-OBF-5-A50	1	50	50	500	0.65
GE-KT2-OBF-7-A50	1	70	50	500	0.73
GE-KT2-OBF-10-A50	1	100	50	500	0.85
GE-KT2-OBF-12-A50	1	120	50	500	0.95
GE-KT2-OBF-15-A50	1	150	50	500	1.05
GE-KT2-OBF-20-A50	1.2	200	50	750	2.25
GE-KT2-OBF-22-A50	1.2	225	50	750	2.40
GE-KT2-OBF-25-A50	1.2	250	50	750	2.60
GE-KT2-OBF-30-A50	1.2	300	50	750	2.96
GE-KT2-OBF-40-A50	1.5	400	50	750	4.60
GE-KT2-OBF-45-A50	1.5	450	50	750	5.00
GE-KT2-OBF-50-A50	1.5	500	50	750	5.50
GE-KT2-OBF-60-A50	1.5	600	50	1000	8.50
GE-KT2-OBF-75-A50	1.5	750	50	1000	10.30
GE-KT2-OBF-90-A50	1.5	900	50	1000	12.10

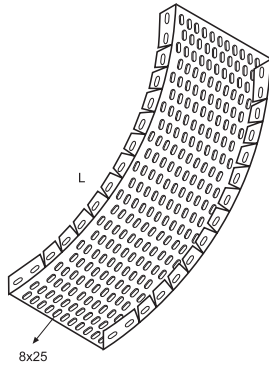
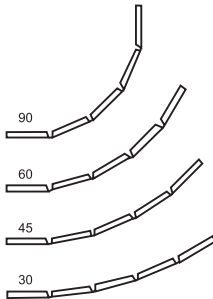
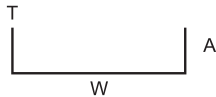
Connection to be made with splice plates.
 Please specify radius when ordering.

Birleştirme için GE-EK kullanılır.
 Siparişte radyusu belirtiniz

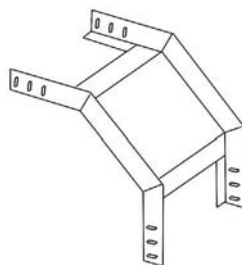
Соединение будет с сращивание пластин.
 Укажите радиус при заказе.

GE-KT2-IBF-A50

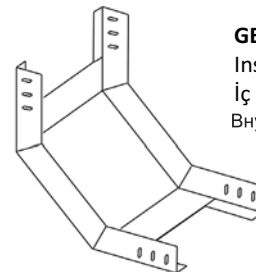
Flexible inside bend
 Modüler iç bükey elemanı
 Внутренний угловой элемент



Part No	T	W	A	L	Kg
GE-KT2-IBF-5-A50	1	50	50	500	0.65
GE-KT2-IBF-7-A50	1	70	50	500	0.73
GE-KT2-IBF-10-A50	1	100	50	500	0.85
GE-KT2-IBF-12-A50	1	120	50	500	0.95
GE-KT2-IBF-15-A50	1	150	50	500	1.05
GE-KT2-IBF-20-A50	1.2	200	50	750	2.25
GE-KT2-IBF-22-A50	1.2	225	50	750	2.40
GE-KT2-IBF-25-A50	1.2	250	50	750	2.60
GE-KT2-IBF-30-A50	1.2	300	50	750	2.96
GE-KT2-IBF-40-A50	1.5	400	50	750	4.60
GE-KT2-IBF-45-A50	1.5	450	50	750	5.00
GE-KT2-IBF-50-A50	1.5	500	50	750	5.50
GE-KT2-IBF-60-A50	1.5	600	50	1000	8.50
GE-KT2-IBF-75-A50	1.5	750	50	1000	10.30
GE-KT2-IBF-90-A50	1.5	900	50	1000	12.10



GE-KT2-OB90-A50
 Outside bend
 Dış bükey
 Внешний угловой элемент



GE-KT2-IB90-A50
 Inside bend
 İç bükey
 Внутренний угловой элемент

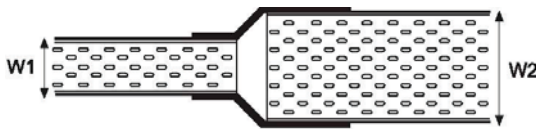
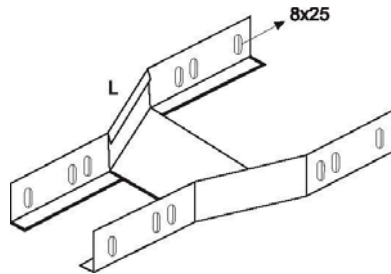
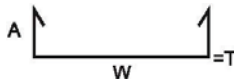
Material options: Stainless steel AISI 304 (L) (A2) / AISI 316 (L) (A4), ST-37-42 Mild Steel, Corten A, Pregalvanized steel, Aluminum
 Finish options : Hot Dip Galvanized to EN 1461, Electrogalvanized to TS 149, Electrostatic Paint Coated, Prime coated
 See material & finish option charts for available product specific selections.

Cable Trays

50

GE-KT2-R-A50

Straight reducer
 Redüksiyon
 Редукции



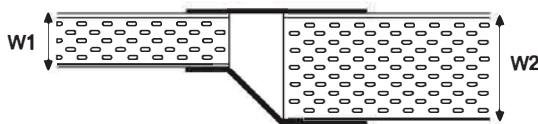
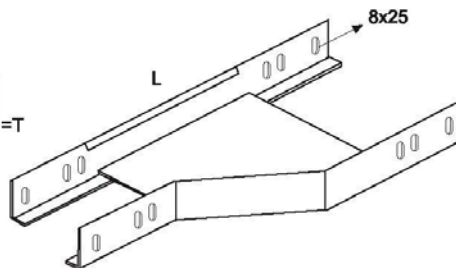
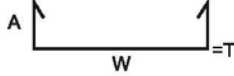
Part No	T	W1 - W2	A	L	Kg
GE-KT2-R-10-20-A50	1.5	100 - 200	50	300	0.70
GE-KT2-R-10-30-A50	1.5	100 - 300	50	340	0.95
GE-KT2-R-10-40-A50	1.5	100 - 400	50	400	1.35
GE-KT2-R-10-50-A50	1.5	100 - 500	50	440	1.70
GE-KT2-R-10-60-A50	1.5	100 - 600	50	490	2.20
GE-KT2-R-10-75-A50	1.5	100 - 750	50	560	2.95
GE-KT2-R-10-90-A50	1.5	100 - 900	50	650	4.00

How to order / Kodlama / Как написать при заказе

GE-KT2 R 100 200 A50 HDG
 (Series + Product + Width1 + Width2 + Height + Finish)

GE-KT2-RL-A50

Left reducer
 Sola redüksiyon
 Редукции



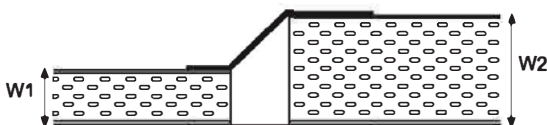
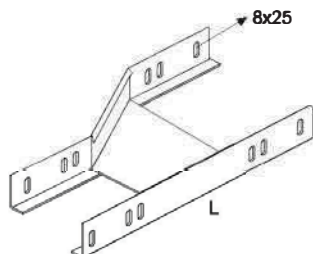
Part No	T	W1 - W2	A	L	Kg
GE-KT2-RL-10-20-A50	1.5	100 - 200	50	300	0.70
GE-KT2-RL-10-30-A50	1.5	100 - 300	50	340	1.00
GE-KT2-RL-10-40-A50	1.5	100 - 400	50	400	1.40
GE-KT2-RL-10-50-A50	1.5	100 - 500	50	440	1.80
GE-KT2-RL-10-60-A50	1.5	100 - 600	50	490	2.30
GE-KT2-RL-10-75-A50	1.5	100 - 750	50	560	3.10
GE-KT2-RL-10-90-A50	1.5	100 - 900	50	650	4.15

How to order / Kodlama / Как написать при заказе

GE-KT2 RL 100 200 A50 HDG
 (Series + Product + Width1 + Width2 + Height + Finish)

GE-KT2-RR-A50

Right reducer
 Sağa redüksiyon
 Редукции



Part No	T	W1 - W2	A	L	Kg
GE-KT2-RR-10-20-A50	1.5	100 - 200	50	300	0.70
GE-KT2-RR-10-30-A50	1.5	100 - 300	50	340	1.00
GE-KT2-RR-10-40-A50	1.5	100 - 400	50	400	1.40
GE-KT2-RR-10-50-A50	1.5	100 - 500	50	440	1.80
GE-KT2-RR-10-60-A50	1.5	100 - 600	50	490	2.30
GE-KT2-RR-10-75-A50	1.5	100 - 750	50	560	3.10
GE-KT2-RR-10-90-A50	1.5	100 - 900	50	650	4.15

How to order / Kodlama / Как написать при заказе

GE-KT2 RR 100 200 A50 HDG
 (Series + Product + Width1 + Width2 + Height + Finish)

Material options: Stainless steel AISI 304 (L) (A2) / AISI 316 (L) (A4), ST-37-42 Mild Steel, Corten A, Pregalvanized steel, Aluminum
 Finish options : Hot Dip Galvanized to EN 1461, Electrogalvanized to TS 149, Electrostatic Paint Coated, Prime coated
 See material & finish option charts for available product specific selections.

Cable Trays

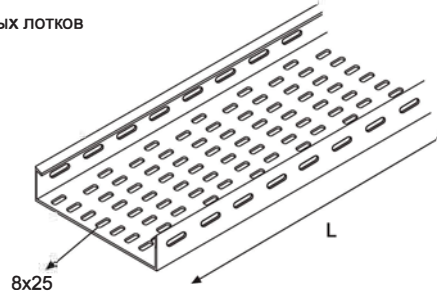
60

GE-KT2-A60

Cable trays, heavy duty

Kablo kanalları, ağır hizmet

Тяжелая обязанность кабельных лотков



Part No	T	W	A	L	Kg/m
GE-KT2-10-A60	1.2	100	60	3000	2.20
GE-KT2-12-A60	1.2	120	60	3000	2.40
GE-KT2-15-A60	1.5	150	60	3000	3.40
GE-KT2-20-A60	1.5	200	60	3000	4.00
GE-KT2-22-A60	1.5	225	60	3000	4.30
GE-KT2-25-A60	1.5	250	60	3000	4.60
GE-KT2-30-A60	1.5	300	60	3000	5.20
GE-KT2-40-A60	1.5	400	60	3000	6.40
GE-KT2-45-A60	1.5	450	60	3000	7.00
GE-KT2-50-A60	2	500	60	3000	10.00
GE-KT2-60-A60	2	600	60	3000	12.50
GE-KT2-75-A60	2	750	60	3000	14.10
GE-KT2-90-A60	2	900	60	3000	16.50

Custom production available upon request.

İsteğe göre diğer ölçülerde üretim yapılır.

Возможно изготовление продукции на заказ.

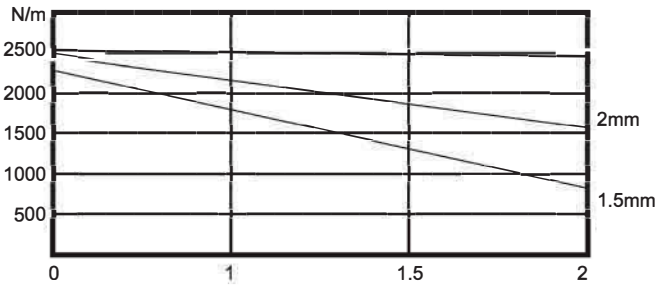
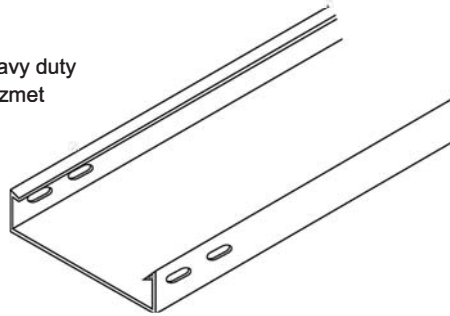
SS4 SS6 HDG PG EG ESB APB AL

GE-KTN2-A60

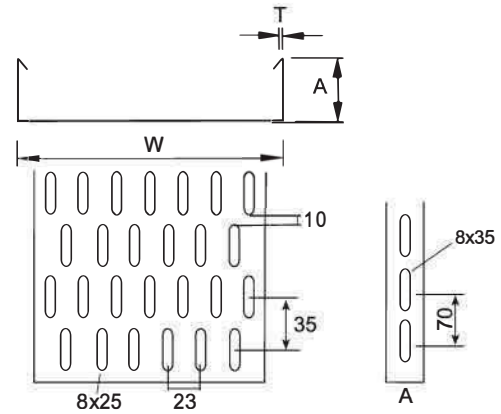
Non perforated cable trays, heavy duty

Deliksiz kablo kanalları, ağır hizmet

Тяжелый долг, не кабельные перфорированные лотки



SPAN(m)

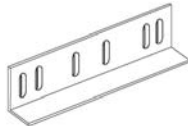


GE-EK-60

Splice plate

Ek parçası

Связующий элемент



GE-LCN

PVC strip

PVC conta

Резиновые прокладки



GE-SPRAY-1

Zinc spray

Çinko sprej

Спрей цинка



GE-KC-2

Fixing set

Kanal civata takımı

Комплект винтового соединения



GE-LCND

PVC strip double

PVC conta, çiftli

Резиновые прокладки

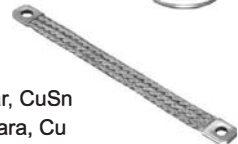


GE-BFEC-4

Flat flexible bar, CuSn

Yassı esnek bara, Cu

Провод



Material options: Stainless steel AISI 304 (L) (A2) / AISI 316 (L) (A4), ST-37-42 Mild Steel, Corten A, Pregalvanized steel, Aluminum
 Finish options : Hot Dip Galvanized to EN 1461, Electrogalvanized to TS 149, Electrostatic Paint Coated, Prime coated
 See material & finish option charts for available product specific selections.

Cable Trays

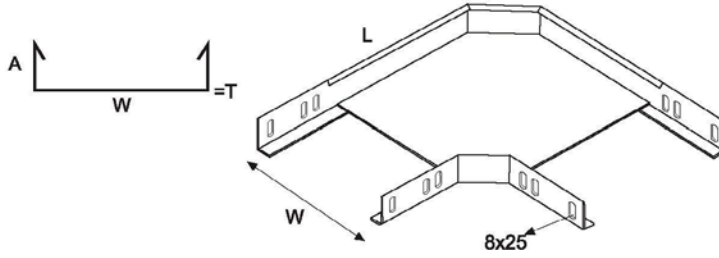
60

GE-KT2-D90-A60

90° flat bend

90° dönüş elemanı

Секция угловая горизонтальная 90°



Part No	T	W	A	L	Kg
GE-KT2-D90-10-A60	1.2	100	60	260	0.89
GE-KT2-D90-12-A60	1.2	120	60	280	1.00
GE-KT2-D90-15-A60	1.5	150	60	310	1.43
GE-KT2-D90-20-A60	1.5	200	60	360	1.82
GE-KT2-D90-22-A60	1.5	225	60	385	2.04
GE-KT2-D90-25-A60	1.5	250	60	410	2.27
GE-KT2-D90-30-A60	1.5	300	60	470	2.79
GE-KT2-D90-40-A60	1.5	400	60	570	4.04
GE-KT2-D90-45-A60	1.5	450	60	610	4.76
GE-KT2-D90-50-A60	2	500	60	660	7.38
GE-KT2-D90-60-A60	2	600	60	760	9.72
GE-KT2-D90-75-A60	2	750	60	910	13.95
GE-KT2-D90-90-A60	2	900	60	1060	19.00

No couplers required for fixing to cable trays.
 Please specify radius when ordering.

Birleştirme için ek parçasına gerek yoktur.
 Siparişte radyusu belirtiniz.

Нет арматуры, необходимой для фиксации кабеля в лотки.
 Укажите радиус при заказе.

Flat bends in 90°, 60°, 45°, 30° are available on request.
 90° flat bend is supplied as standard unless the angle is specified when ordering.

90°, 60°, 45°, 30° dönüşler mevcuttur.
 Başka ölçü belirtilmedikçe standart 90° teslim edilir.

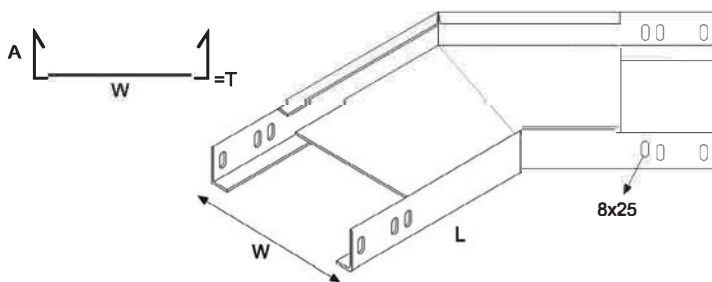
Угловые элементы могут быть изготовлены 90, 60, 45, 30. Стандартный размер 90, кроме случаев оговорённых при заказе.

GE-KT2-D45-A60

45° flat bend

45° dönüş elemanı

Секция угловая горизонтальная 45°



Part No	T	W	A	L	Kg
GE-KT2-D45-10-A60	1.2	100	60	260	0.89
GE-KT2-D45-12-A60	1.2	120	60	280	1.00
GE-KT2-D45-15-A60	1.5	150	60	310	1.43
GE-KT2-D45-20-A60	1.5	200	60	360	1.82
GE-KT2-D45-22-A60	1.5	225	60	385	2.04
GE-KT2-D45-25-A60	1.5	250	60	410	2.27
GE-KT2-D45-30-A60	1.5	300	60	470	2.79
GE-KT2-D45-40-A60	1.5	400	60	570	4.04
GE-KT2-D45-45-A60	1.5	450	60	610	4.76
GE-KT2-D45-50-A60	2	500	60	660	7.38
GE-KT2-D45-60-A60	2	600	60	760	9.72
GE-KT2-D45-75-A60	2	750	60	910	13.95
GE-KT2-D45-90-A60	2	900	60	1060	19.00

No couplers required for fixing to cable trays.
 Please specify radius when ordering.

Birleştirme için ek parçasına gerek yoktur.
 Siparişte radyusu belirtiniz.

Нет арматуры, необходимой для фиксации кабеля в лотки.
 Укажите радиус при заказе.

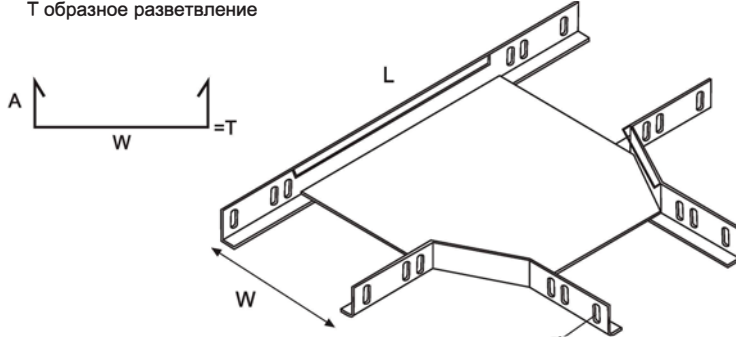
Material options: Stainless steel AISI 304 (L) (A2) / AISI 316 (L) (A4), ST-37-42 Mild Steel, Corten A, Pregalvanized steel, Aluminum
 Finish options : Hot Dip Galvanized to EN 1461, Electrogalvanized to TS 149, Electrostatic Paint Coated, Prime coated
 See material & finish option charts for available product specific selections.

Cable Trays

60

GE-KT2-T-A60

Tee
 T elemanı
 T образное разветвление

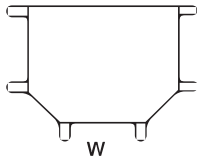


No couplers required for fixing to cable trays.
 Please specify radius when ordering.

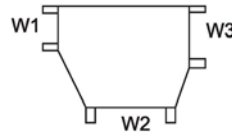
Birleştirme için ek parçasına gerek yoktur.
 Siparişte radyusu belirtiniz.

Нет арматуры, необходимой для фиксации кабеля в лотки.
 Укажите радиус при заказе.

Part No	T	W	A	L	Kg
GE-KT2-T-10-A60	1.2	100	60	420	1.15
GE-KT2-T-12-A60	1.2	120	60	440	1.20
GE-KT2-T-15-A60	1.5	150	60	470	1.74
GE-KT2-T-20-A60	1.5	200	60	520	2.07
GE-KT2-T-22-A60	1.5	225	60	545	2.31
GE-KT2-T-25-A60	1.5	250	60	570	2.50
GE-KT2-T-30-A60	1.5	300	60	620	2.99
GE-KT2-T-40-A60	1.5	400	60	720	4.18
GE-KT2-T-45-A60	1.5	450	60	770	4.89
GE-KT2-T-50-A60	2	500	60	820	7.52
GE-KT2-T-60-A60	2	600	60	920	10.50
GE-KT2-T-75-A60	2	750	60	1070	14.66
GE-KT2-T-90-A60	2	900	60	1220	19.60



Equal Tee
 Eşit T Elemanı
 Равное разветвление

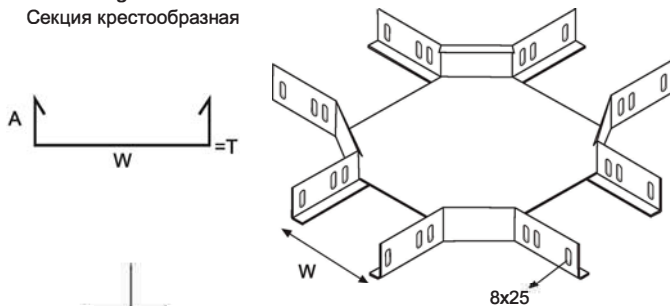


Unequal Tee
 Eşit olmayan T Elemanı
 Неравное разветвление

Please specify the widths of unequal tees by drawing.
 Eşit olmayan T' lerde W ölçülerini siparişte belirtiniz.
 Укажите размеры W неравного T-образного разветвления.

GE-KT2-DB-A60

Crossing
 Dörtlü Bağlantı Elemanı
 Секция крестообразная



No couplers required for fixing to cable trays.
 Please specify radius when ordering.

Birleştirme için ek parçasına gerek yoktur.
 Siparişte radyusu belirtiniz.

Нет арматуры, необходимой для фиксации кабеля в лотки.
 Укажите радиус при заказе.

Part No	T	W	A	L	Kg
GE-KT2-DB-10-A60	1.2	100	60	420	1.49
GE-KT2-DB-12-A60	1.2	120	60	440	1.56
GE-KT2-DB-15-A60	1.5	150	60	470	2.12
GE-KT2-DB-20-A60	1.5	200	60	520	2.48
GE-KT2-DB-22-A60	1.5	225	60	545	2.66
GE-KT2-DB-25-A60	1.5	250	60	570	2.87
GE-KT2-DB-30-A60	1.5	300	60	620	3.33
GE-KT2-DB-40-A60	1.5	400	60	720	4.48
GE-KT2-DB-45-A60	1.5	450	60	770	4.83
GE-KT2-DB-50-A60	2	500	60	820	7.80
GE-KT2-DB-60-A60	2	600	60	920	10.05
GE-KT2-DB-75-A60	2	750	60	1070	14.05
GE-KT2-DB-90-A60	2	900	60	1220	18.80

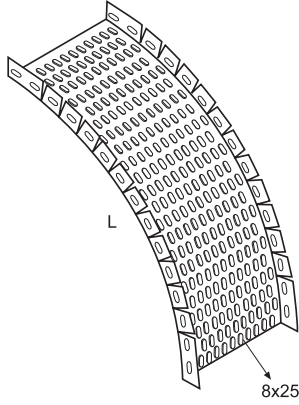
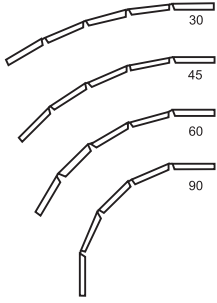
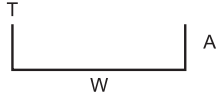
Material options: Stainless steel AISI 304 (L) (A2) / AISI 316 (L) (A4), ST-37-42 Mild Steel, Corten A, Pregalvanized steel, Aluminum
 Finish options : Hot Dip Galvanized to EN 1461, Electrogalvanized to TS 149, Electrostatic Paint Coated, Prime coated
 See material & finish option charts for available product specific selections.

Cable Trays

60

GE-KT2-OBF-A60

Flexible outside bend
 Modüler dış bükey elemanı
 Внешний угловой элемент



Part No	T	W	A	L	Kg
GE-KT2-OBF-10-A60	1.2	100	60	500	1.10
GE-KT2-OBF-12-A60	1.2	120	60	500	1.20
GE-KT2-OBF-15-A60	1.5	150	60	500	1.70
GE-KT2-OBF-20-A60	1.5	200	60	750	3.00
GE-KT2-OBF-22-A60	1.5	225	60	750	3.20
GE-KT2-OBF-25-A60	1.5	250	60	750	3.45
GE-KT2-OBF-30-A60	1.5	300	60	750	3.90
GE-KT2-OBF-40-A60	1.5	400	60	750	4.80
GE-KT2-OBF-45-A60	1.5	450	60	750	5.25
GE-KT2-OBF-50-A60	2	500	60	750	7.50
GE-KT2-OBF-60-A60	2	600	60	1000	12.50
GE-KT2-OBF-75-A60	2	750	60	1000	14.10
GE-KT2-OBF-90-A60	2	900	60	1000	16.50

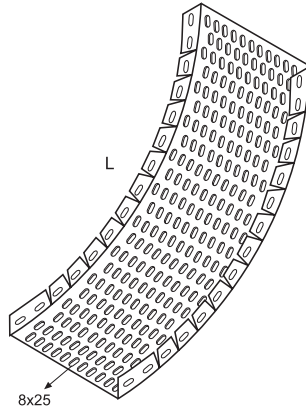
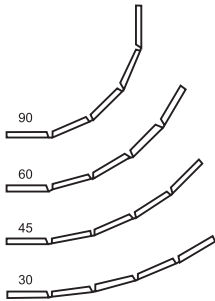
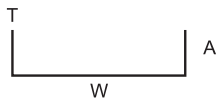
Connection to be made with splice plates.
 Please specify radius when ordering.

Birleştirme için GE-EK kullanılır.
 Siparişte radyusu belirtiniz

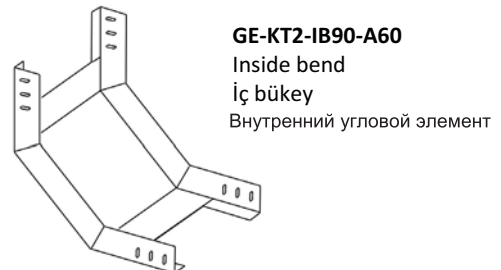
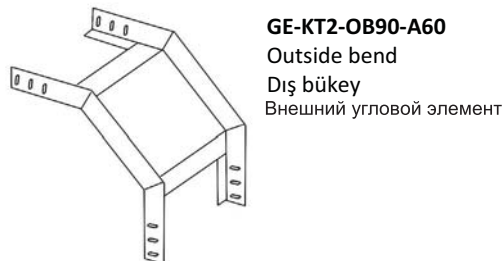
Соединение будет с сращивание пластин.
 Укажите радиус при заказе.

GE-KT2-IBF-A60

Flexible inside bend
 Modüler iç bükey elemanı
 Внутренний угловой элемент



Part No	T	W	A	L	Kg
GE-KT2-IBF-10-A60	1.2	100	60	500	1.10
GE-KT2-IBF-12-A60	1.2	120	60	500	1.20
GE-KT2-IBF-15-A60	1.5	150	60	500	1.70
GE-KT2-IBF-20-A60	1.5	200	60	750	3.00
GE-KT2-IBF-22-A60	1.5	225	60	750	3.20
GE-KT2-IBF-25-A60	1.5	250	60	750	3.45
GE-KT2-IBF-30-A60	1.5	300	60	750	3.90
GE-KT2-IBF-40-A60	1.5	400	60	750	4.80
GE-KT2-IBF-45-A60	1.5	450	60	750	5.25
GE-KT2-IBF-50-A60	2	500	60	750	7.50
GE-KT2-IBF-60-A60	2	600	60	1000	12.50
GE-KT2-IBF-75-A60	2	750	60	1000	14.10
GE-KT2-IBF-90-A60	2	900	60	1000	16.50



Material options: Stainless steel AISI 304 (L) (A2) / AISI 316 (L) (A4), ST-37-42 Mild Steel, Corten A, Pregalvanized steel, Aluminum
 Finish options : Hot Dip Galvanized to EN 1461, Electrogalvanized to TS 149, Electrostatic Paint Coated, Prime coated
 See material & finish option charts for available product specific selections.

Cable Trays

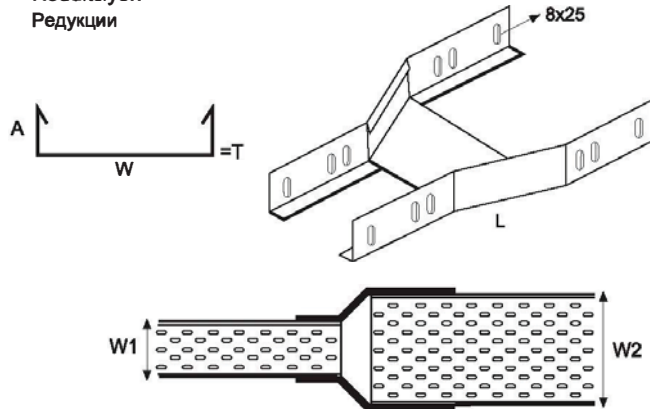
60

GE-KT2-R-A60

Straight reducer

Redüksiyon

Редукции



Part No	T	W1 - W2	A	L	Kg
GE-KT2-R-10-20-A60	1.5	100 - 200	60	300	0.80
GE-KT2-R-10-30-A60	1.5	100 - 300	60	340	1.05
GE-KT2-R-10-40-A60	1.5	100 - 400	60	400	1.45
GE-KT2-R-10-50-A60	1.5	100 - 500	60	440	1.85
GE-KT2-R-10-60-A60	1.5	100 - 600	60	490	2.35
GE-KT2-R-10-75-A60	1.5	100 - 750	60	560	3.15
GE-KT2-R-10-90-A60	1.5	100 - 900	60	650	4.20

How to order / Kodlama / Как написать при заказе

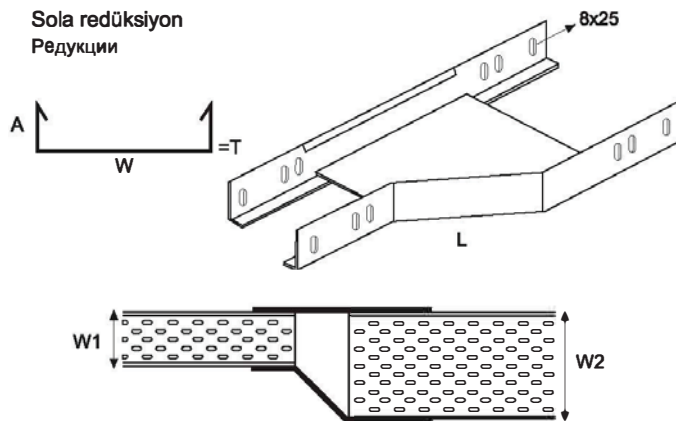
GE-KT2 R 100 200 A60 HDG
 (Series + Product + Width1 + Width2 + Height + Finish)

GE-KT2-RL-A60

Left reducer

Sola redüksiyon

Редукции



Part No	T	W1 - W2	A	L	Kg
GE-KT2-RL-10-20-A60	1.5	100 - 200	60	300	0.80
GE-KT2-RL-10-30-A60	1.5	100 - 300	60	340	1.10
GE-KT2-RL-10-40-A60	1.5	100 - 400	60	400	1.55
GE-KT2-RL-10-50-A60	1.5	100 - 500	60	440	1.95
GE-KT2-RL-10-60-A60	1.5	100 - 600	60	490	2.45
GE-KT2-RL-10-75-A60	1.5	100 - 750	60	560	3.25
GE-KT2-RL-10-90-A60	1.5	100 - 900	60	650	4.40

How to order / Kodlama / Как написать при заказе

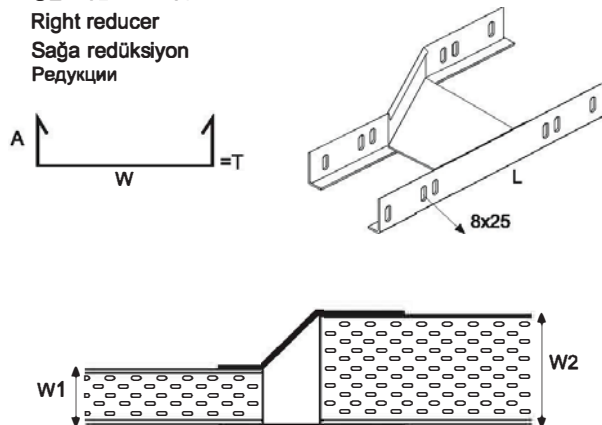
GE-KT2 RL 100 200 A60 HDG
 (Series + Product + Width1 + Width2 + Height + Finish)

GE-KT2-RR-A60

Right reducer

Sağa redüksiyon

Редукции



Part No	T	W1 - W2	A	L	Kg
GE-KT2-RR-10-20-A60	1.5	100 - 200	60	300	0.80
GE-KT2-RR-10-30-A60	1.5	100 - 300	60	340	1.10
GE-KT2-RR-10-40-A60	1.5	100 - 400	60	400	1.55
GE-KT2-RR-10-50-A60	1.5	100 - 500	60	440	1.95
GE-KT2-RR-10-60-A60	1.5	100 - 600	60	490	2.45
GE-KT2-RR-10-75-A60	1.5	100 - 750	60	560	3.25
GE-KT2-RR-10-90-A60	1.5	100 - 900	60	650	4.40

How to order / Kodlama / Как написать при заказе

GE-KT2 RR 100 200 A60 HDG
 (Series + Product + Width1 + Width2 + Height + Finish)

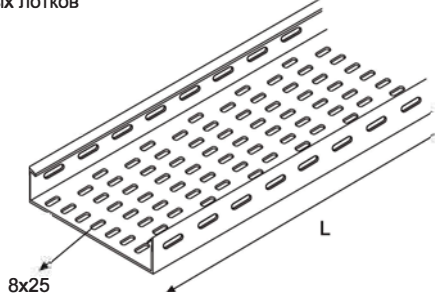
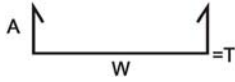
Material options: Stainless steel AISI 304 (L) (A2) / AISI 316 (L) (A4), ST-37-42 Mild Steel, Corten A, Pregalvanized steel, Aluminum
 Finish options : Hot Dip Galvanized to EN 1461, Electrogalvanized to TS 149, Electrostatic Paint Coated, Prime coated
 See material & finish option charts for available product specific selections.

Cable Trays

75

GE-KT2-A75

Cable trays, heavy duty
 Kablo kanalları, ağır hizmet
 Тяжелая обязанность кабельных лотков



Part No	T	W	A	L	Kg
GE-KT2-10-A75	1.2	100	75	3000	2.59
GE-KT2-12-A75	1.2	120	75	3000	2.79
GE-KT2-15-A75	1.5	150	75	3000	3.84
GE-KT2-20-A75	1.5	200	75	3000	4.45
GE-KT2-22-A75	1.5	225	75	3000	4.74
GE-KT2-25-A75	1.5	250	75	3000	5.04
GE-KT2-30-A75	2	300	75	3000	7.52
GE-KT2-40-A75	2	400	75	3000	9.12
GE-KT2-45-A75	2	450	75	3000	9.92
GE-KT2-50-A75	2	500	75	3000	10.72
GE-KT2-60-A75	2	600	75	3000	12.32
GE-KT2-75-A75	2	750	75	3000	14.72
GE-KT2-90-A75	2	900	75	3000	17.12

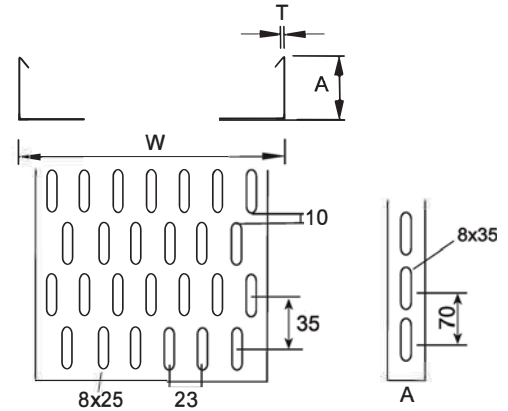
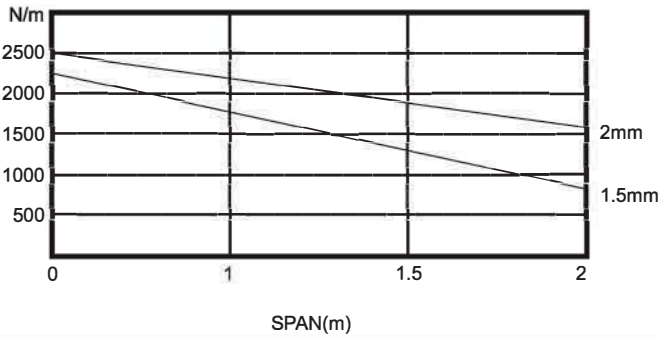
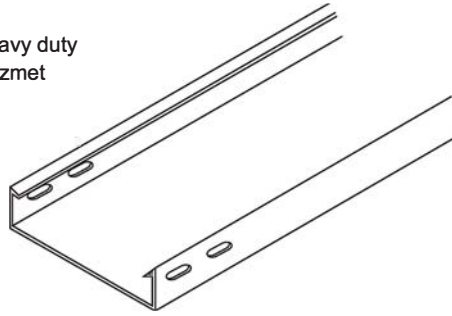
Custom production available upon request.
 İsteğe göre diğer ölçülerde üretim yapılır.

Возможно изготовление продукции на заказ.

(SS4) (SS6) (HDG) (PG) (EG) (ESB) (APB) (AL)

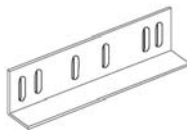
GE-KTN2-A75

Non perforated cable trays, heavy duty
 Deliksiz kablo kanalları, ağır hizmet
 Тяжелый долг, не кабельные
 перфорированные лотки



GE-EK-75

Splice plate
 Ek parçası
 Связующий элемент



GE-LCN

PVC strip
 PVC conta
 Резиновые прокладки



GE-SPRAY-1

Zinc spray
 Çinko sprej
 Спрей цинка



GE-KC-2

Fixing set
 Kanal civata takımı
 Комплект винтового соединения



GE-LCND

PVC strip double
 PVC conta, çiftli
 Резиновые прокладки



GE-BFEC-4

Flat flexible bar, CuSn
 Yassı esnek bara, Cu
 Провод



Material options: Stainless steel AISI 304 (L) (A2) / AISI 316 (L) (A4), ST-37-42 Mild Steel, Corten A, Pregalvanized steel, Aluminum
Finish options : Hot Dip Galvanized to EN 1461, Electrogalvanized to TS 149, Electrostatic Paint Coated, Prime coated
See material & finish option charts for available product specific selections.

Cable Trays

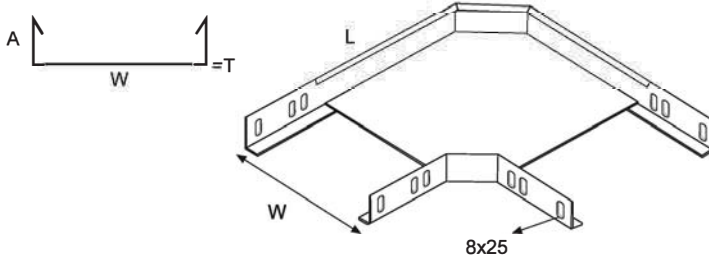
75

GE-KT2-D90-A75

90° flat bend

90° dönüş elemanı

Секция угловая горизонтальная 90°



Part No	T	W	A	L	Kg
GE-KT2-D90-10-A75	1.2	100	75	260	1.06
GE-KT2-D90-12-A75	1.2	120	75	280	1.16
GE-KT2-D90-15-A75	1.5	150	75	310	1.67
GE-KT2-D90-20-A75	1.5	200	75	360	2.08
GE-KT2-D90-22-A75	1.5	225	75	385	2.32
GE-KT2-D90-25-A75	1.5	250	75	410	2.55
GE-KT2-D90-30-A75	2	300	75	470	4.15
GE-KT2-D90-40-A75	2	400	75	570	5.87
GE-KT2-D90-45-A75	2	450	75	610	6.97
GE-KT2-D90-50-A75	2	500	75	660	7.96
GE-KT2-D90-60-A75	2	600	75	760	10.37
GE-KT2-D90-75-A75	2	750	75	910	14.70
GE-KT2-D90-90-A75	2	900	75	1060	19.83

No couplers required for fixing to cable trays.
Please specify radius when ordering.

Birleştirme için ek parçasına gerek yoktur.
Siparişte radyusu belirtiniz.

Нет арматуры, необходимой для фиксации кабеля в лотки.
Укажите радиус при заказе.

Flat bends in 90°, 60°, 45°, 30° are available on request.
90° flat bend is supplied as standard unless the angle is specified when ordering.

90°, 60°, 45°, 30° dönüşler mevcuttur.
Başka ölçü belirtilmedikçe standart 90° teslim edilir.

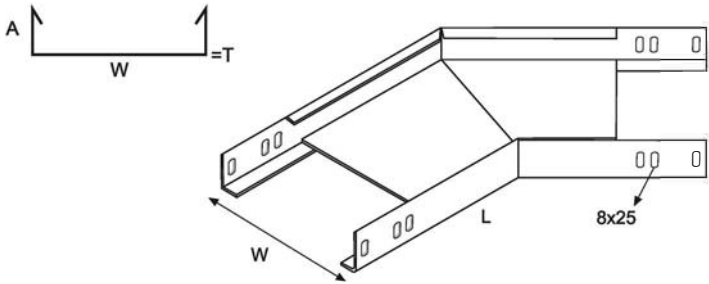
Угловые элементы могут быть изготовлены 90, 60, 45, 30. Стандартный размер 90, кроме случаев оговорённых при заказе.

GE-KT2-D45-A75

45° flat bend

45° dönüş elemanı

Секция угловая горизонтальная 45°



Part No	T	W	A	L	Kg
GE-KT2-D45-10-A75	1.2	100	75	260	1.06
GE-KT2-D45-12-A75	1.2	120	75	280	1.16
GE-KT2-D45-15-A75	1.5	150	75	310	1.67
GE-KT2-D45-20-A75	1.5	200	75	360	2.08
GE-KT2-D45-22-A75	1.5	225	75	385	2.32
GE-KT2-D45-25-A75	1.5	250	75	410	2.55
GE-KT2-D45-30-A75	2	300	75	470	4.15
GE-KT2-D45-40-A75	2	400	75	570	5.87
GE-KT2-D45-45-A75	2	450	75	610	6.97
GE-KT2-D45-50-A75	2	500	75	660	7.96
GE-KT2-D45-60-A75	2	600	75	760	10.37
GE-KT2-D45-75-A75	2	750	75	910	14.70
GE-KT2-D45-90-A75	2	900	75	1060	19.83

No couplers required for fixing to cable trays.
Please specify radius when ordering.

Birleştirme için ek parçasına gerek yoktur.
Siparişte radyusu belirtiniz.

Нет арматуры, необходимой для фиксации кабеля в лотки.
Укажите радиус при заказе.

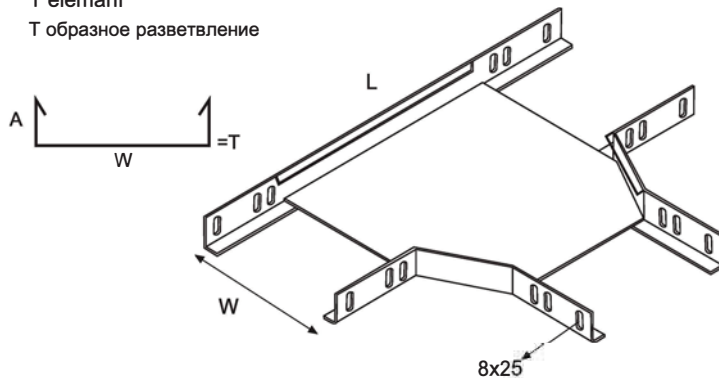
Material options: Stainless steel AISI 304 (L) (A2) / AISI 316 (L) (A4), ST-37-42 Mild Steel, Corten A, Pregalvanized steel, Aluminum
 Finish options : Hot Dip Galvanized to EN 1461, Electrogalvanized to TS 149, Electrostatic Paint Coated, Prime coated
 See material & finish option charts for available product specific selections.

Cable Trays

75

GE-KT2-T-A75

Tee
 T elemanı
 T образное разветвление

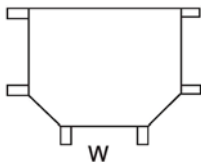


No couplers required for fixing to cable trays.
 Please specify radius when ordering.

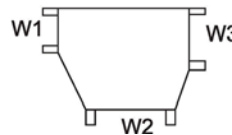
Birleştirme için ek parçasına gerek yoktur.
 Siparişte radyusu belirtiniz.

Нет арматуры, необходимой для фиксации кабеля в лотки.
 Укажите радиус при заказе.

Part No	T	W	A	L	Kg
GE-KT2-T-10-A75	1.2	100	75	420	1.35
GE-KT2-T-12-A75	1.2	120	75	440	1.45
GE-KT2-T-15-A75	1.5	150	75	470	2.00
GE-KT2-T-20-A75	1.5	200	75	520	2.37
GE-KT2-T-22-A75	1.5	225	75	545	2.61
GE-KT2-T-25-A75	1.5	250	75	570	2.81
GE-KT2-T-30-A75	2	300	75	620	4.43
GE-KT2-T-40-A75	2	400	75	720	6.00
GE-KT2-T-45-A75	2	450	75	770	6.98
GE-KT2-T-50-A75	2	500	75	820	8.00
GE-KT2-T-60-A75	2	600	75	920	10.34
GE-KT2-T-75-A75	2	750	75	1070	14.48
GE-KT2-T-90-A75	2	900	75	1220	19.41



Equal Tee
 Eşit T Elemanı
 Равное разветвление



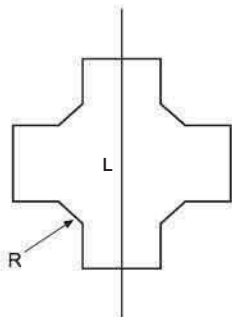
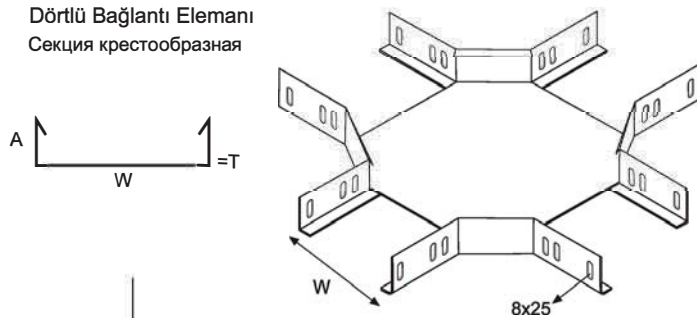
Unequal Tee
 Eşit olmayan T Elemanı
 Неравное разветвление

Please specify the widths of unequal tees by drawing.
 Eşit olmayan T' lerde W ölçülerini siparişte belirtiniz.

Укажите размеры W неравного T-образного разветвления.

GE-KT2-DB-A75

Crossing
 Dörtlü Bağlantı Elemanı
 Секция крестообразная



No couplers required for fixing to cable trays.
 Please specify radius when ordering.

Birleştirme için ek parçasına gerek yoktur.
 Siparişte radyusu belirtiniz.

Нет арматуры, необходимой для фиксации кабеля в лотки.
 Укажите радиус при заказе.

Part No	T	W	A	L	Kg
GE-KT2-DB-10-A75	1.2	100	75	420	1.62
GE-KT2-DB-12-A75	1.2	120	75	440	1.70
GE-KT2-DB-15-A75	1.5	150	75	470	2.28
GE-KT2-DB-20-A75	1.5	200	75	520	2.64
GE-KT2-DB-22-A75	1.5	225	75	545	2.82
GE-KT2-DB-25-A75	1.5	250	75	570	3.03
GE-KT2-DB-30-A75	2	300	75	620	4.65
GE-KT2-DB-40-A75	2	400	75	720	6.21
GE-KT2-DB-45-A75	2	450	75	770	6.56
GE-KT2-DB-50-A75	2	500	75	820	8.00
GE-KT2-DB-60-A75	2	600	75	920	10.26
GE-KT2-DB-75-A75	2	750	75	1070	14.26
GE-KT2-DB-90-A75	2	900	75	1220	19.00

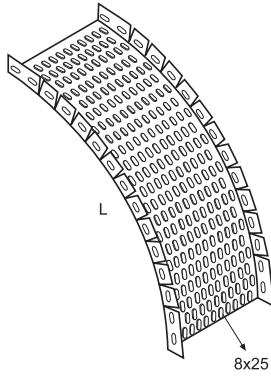
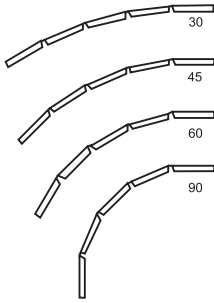
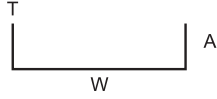
Material options: Stainless steel AISI 304 (L) (A2) / AISI 316 (L) (A4), ST-37-42 Mild Steel, Corten A, Pregalvanized steel, Aluminum
 Finish options : Hot Dip Galvanized to EN 1461, Electrogalvanized to TS 149, Electrostatic Paint Coated, Prime coated
 See material & finish option charts for available product specific selections.

Cable Trays

75

GE-KT2-OBF-A75

Flexible outside bend
 Modüler dış bükey elemanı
 Внешний угловой элемент



Part No	T	W	A	L	Kg
GE-KT2-OBF-10-A75	1.2	100	75	500	1.30
GE-KT2-OBF-12-A75	1.2	120	75	500	1.40
GE-KT2-OBF-15-A75	1.5	150	75	500	1.92
GE-KT2-OBF-20-A75	1.5	200	75	750	3.34
GE-KT2-OBF-22-A75	1.5	225	75	750	3.55
GE-KT2-OBF-25-A75	1.5	250	75	750	3.78
GE-KT2-OBF-30-A75	2	300	75	750	5.64
GE-KT2-OBF-40-A75	2	400	75	750	6.84
GE-KT2-OBF-45-A75	2	450	75	750	7.44
GE-KT2-OBF-50-A75	2	500	75	750	8.04
GE-KT2-OBF-60-A75	2	600	75	1000	12.32
GE-KT2-OBF-75-A75	2	750	75	1000	14.72
GE-KT2-OBF-90-A75	2	900	75	1000	17.12

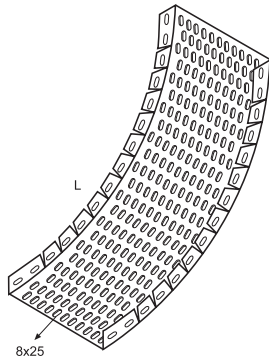
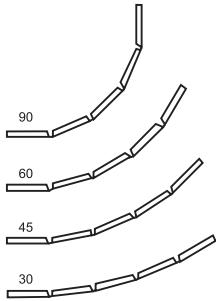
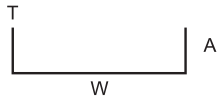
Connection to be made with splice plates.
 Please specify radius when ordering.

Birleştirme için GE-EK kullanılır.
 Siparişte radyusu belirtiniz

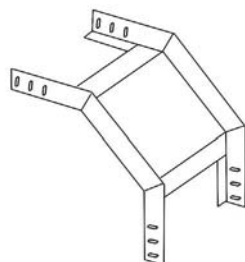
Соединение будет с сращивание пластин.
 Укажите радиус при заказе.

GE-KT2-IBF-A75

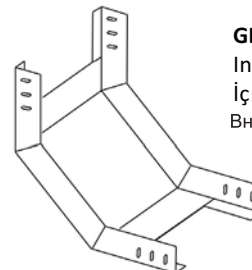
Flexible inside bend
 Modüler iç bükey elemanı
 Внутренний угловой элемент



Part No	T	W	A	L	Kg
GE-KT2-IBF-10-A75	1.2	100	75	500	1.30
GE-KT2-IBF-12-A75	1.2	120	75	500	1.40
GE-KT2-IBF-15-A75	1.5	150	75	500	1.92
GE-KT2-IBF-20-A75	1.5	200	75	750	3.34
GE-KT2-IBF-22-A75	1.5	225	75	750	3.55
GE-KT2-IBF-25-A75	1.5	250	75	750	3.78
GE-KT2-IBF-30-A75	2	300	75	750	5.64
GE-KT2-IBF-40-A75	2	400	75	750	6.84
GE-KT2-IBF-45-A75	2	450	75	750	7.44
GE-KT2-IBF-50-A75	2	500	75	750	8.04
GE-KT2-IBF-60-A75	2	600	75	1000	12.32
GE-KT2-IBF-75-A75	2	750	75	1000	14.72
GE-KT2-IBF-90-A75	2	900	75	1000	17.12



GE-KT2-OB90-A75
 Outside bend
 Dış bükey
 Внешний угловой элемент



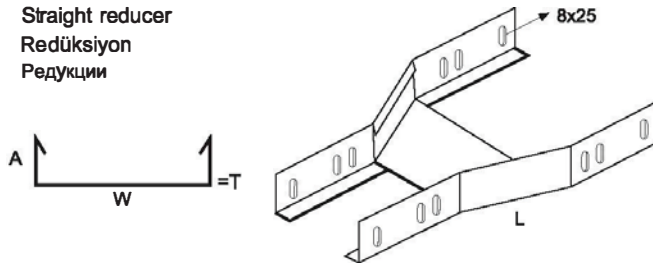
GE-KT2-IB90-A75
 Inside bend
 İç bükey
 Внутренний угловой элемент

Material options: Stainless steel AISI 304 (L) (A2) / AISI 316 (L) (A4), ST-37-42 Mild Steel, Corten A, Pregalvanized steel, Aluminum
 Finish options : Hot Dip Galvanized to EN 1461, Electrogalvanized to TS 149, Electrostatic Paint Coated, Prime coated
 See material & finish option charts for available product specific selections.

Cable Trays

75

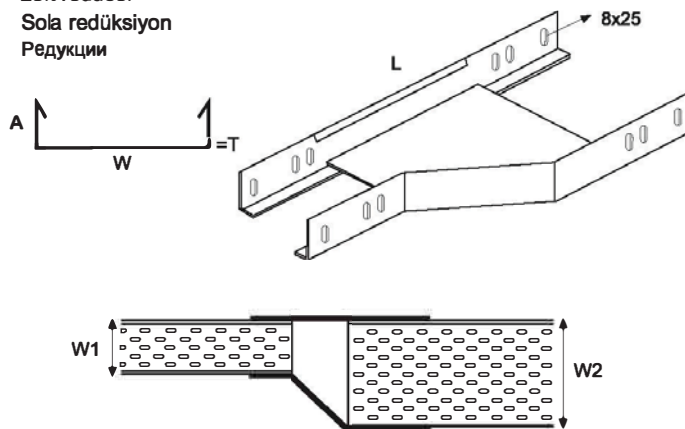
GE-KT2-R-A75 Straight reducer Redüksiyon Редукции



Part No	T	W1 - W2	A	L	Kg
GE-KT2-R-10-20-A75	1.5	100 - 200	75	300	0.90
GE-KT2-R-10-30-A75	1.5	100 - 300	75	340	1.20
GE-KT2-R-10-40-A75	1.5	100 - 400	75	400	1.65
GE-KT2-R-10-50-A75	1.5	100 - 500	75	440	2.05
GE-KT2-R-10-60-A75	1.5	100 - 600	75	490	2.55
GE-KT2-R-10-75-A75	1.5	100 - 750	75	560	3.40
GE-KT2-R-10-90-A75	1.5	100 - 900	75	650	4.50

How to order / Kodlama / Как написать при заказе
 GE-KT2 R 100 200 A75 HDG
 (Series + Product + Width1 + Width2 + Height + Finish)

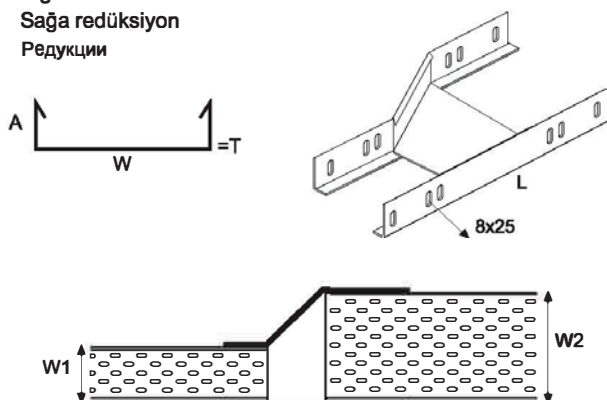
GE-KT2-RL-A75 Left reducer Sola redüksiyon Редукции



Part No	T	W1 - W2	A	L	Kg
GE-KT2-RL-10-20-A75	1.5	100 - 200	75	300	0.90
GE-KT2-RL-10-30-A75	1.5	100 - 300	75	340	1.25
GE-KT2-RL-10-40-A75	1.5	100 - 400	75	400	1.70
GE-KT2-RL-10-50-A75	1.5	100 - 500	75	440	2.15
GE-KT2-RL-10-60-A75	1.5	100 - 600	75	490	2.65
GE-KT2-RL-10-75-A75	1.5	100 - 750	75	560	3.55
GE-KT2-RL-10-90-A75	1.5	100 - 900	75	650	4.70

How to order / Kodlama / Как написать при заказе
 GE-KT2 RL 100 200 A75 HDG
 (Series + Product + Width1 + Width2 + Height + Finish)

GE-KT2-RR-A75 Right reducer Sağa redüksiyon Редукции



Part No	T	W1 - W2	A	L	Kg
GE-KT2-RR-10-20-A75	1.5	100 - 200	75	300	0.90
GE-KT2-RR-10-30-A75	1.5	100 - 300	75	340	1.25
GE-KT2-RR-10-40-A75	1.5	100 - 400	75	400	1.70
GE-KT2-RR-10-50-A75	1.5	100 - 500	75	440	2.15
GE-KT2-RR-10-60-A75	1.5	100 - 600	75	490	2.65
GE-KT2-RR-10-75-A75	1.5	100 - 750	75	560	3.55
GE-KT2-RR-10-90-A75	1.5	100 - 900	75	650	4.70

How to order / Kodlama / Как написать при заказе
 GE-KT2 RR 100 200 A75 HDG
 (Series + Product + Width1 + Width2 + Height + Finish)

Material options: Stainless steel AISI 304 (L) (A2) / AISI 316 (L) (A4), ST-37-42 Mild Steel, Corten A, Pregalvanized steel, Aluminum
 Finish options : Hot Dip Galvanized to EN 1461, Electrogalvanized to TS 149, Electrostatic Paint Coated, Prime coated
 See material & finish option charts for available product specific selections.

Cable Trays

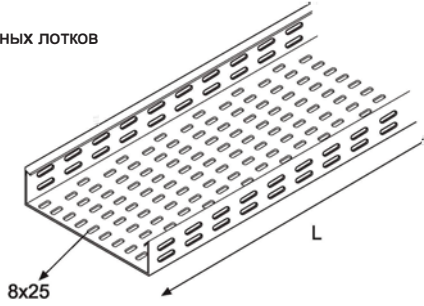
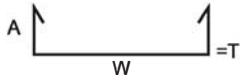
100

GE-KT2-A100

Cable trays, heavy duty

Kablo kanalları, ağır hizmet

Тяжелая обязанность кабельных лотков



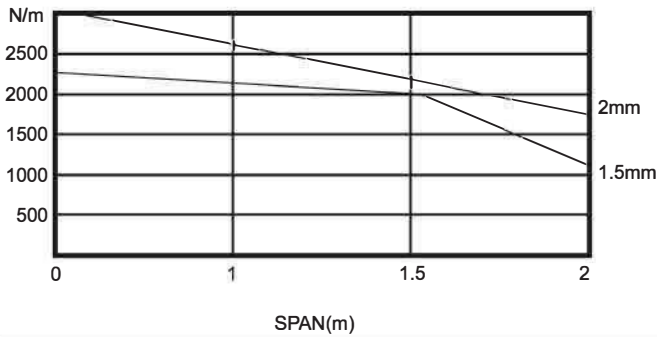
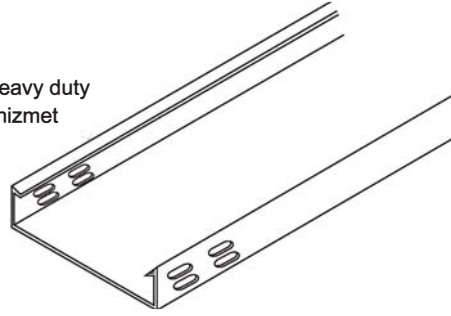
Part No	T	W	A	L	Kg
GE-KT2-10-A100	1.5	100	100	3000	3.72
GE-KT2-12-A100	1.5	120	100	3000	3.96
GE-KT2-15-A100	1.5	150	100	3000	4.32
GE-KT2-20-A100	1.5	200	100	3000	4.92
GE-KT2-22-A100	1.5	225	100	3000	5.22
GE-KT2-25-A100	1.5	250	100	3000	5.52
GE-KT2-30-A100	2	300	100	3000	8.16
GE-KT2-40-A100	2	400	100	3000	9.76
GE-KT2-45-A100	2	450	100	3000	10.56
GE-KT2-50-A100	2	500	100	3000	11.36
GE-KT2-60-A100	2	600	100	3000	12.96
GE-KT2-75-A100	2	750	100	3000	15.36
GE-KT2-90-A100	2	900	100	3000	17.60

GE-KTN2-A100

Non perforated cable trays, heavy duty

Deliksiz kablo kanalları, ağır hizmet

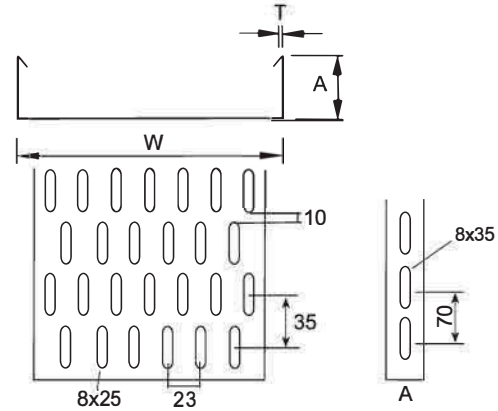
Тяжелый долг, не кабельные перфорированные лотки



Custom production available upon request.
 İsteğe göre diğer ölçülerde üretim yapılır.

Возможно изготовление продукции на заказ.

SS4 SS6 HDG PG EG ESB APB AL

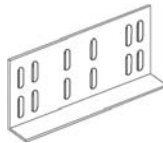


GE-EK-100

Splice plate

Ek parçası

Связующий элемент



GE-LCN

PVC strip

PVC conta

Резиновые прокладки



GE-SPRAY-1

Zinc spray

Çinko sprej

Спрей цинка



GE-KC-2

Fixing set

Kanal civata takımı

Комплект винтового соединения



GE-LCND

PVC strip double

PVC conta, çiftli

Резиновые прокладки



GE-BFEC-4

Flat flexible bar, CuSn

Yassı esnek bara, Cu

Провод



Material options: Stainless steel AISI 304 (L) (A2) / AISI 316 (L) (A4), ST-37-42 Mild Steel, Corten A, Pregalvanized steel, Aluminum
 Finish options : Hot Dip Galvanized to EN 1461, Electrogalvanized to TS 149, Electrostatic Paint Coated, Prime coated
 See material & finish option charts for available product specific selections.

Cable Trays

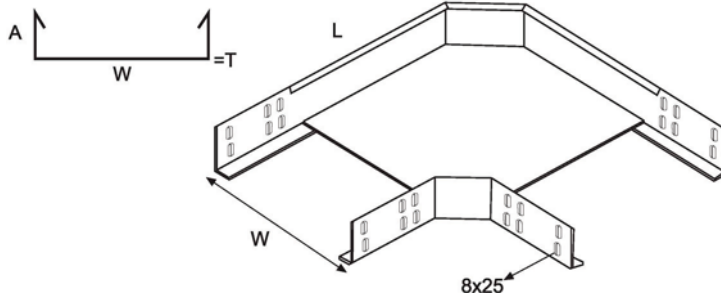
100

GE-KT2-D90-A100

90° flat bend

90° dönüş elemanı

Секция угловая горизонтальная 90°



Part No	T	W	A	L	Kg
GE-KT2-D90-10-A100	1.5	100	100	260	1.52
GE-KT2-D90-12-A100	1.5	120	100	280	1.67
GE-KT2-D90-15-A100	1.5	150	100	310	1.90
GE-KT2-D90-20-A100	1.5	200	100	360	2.34
GE-KT2-D90-22-A100	1.5	225	100	385	2.60
GE-KT2-D90-25-A100	1.5	250	100	410	2.84
GE-KT2-D90-30-A100	2	300	100	470	4.54
GE-KT2-D90-40-A100	2	400	100	570	6.34
GE-KT2-D90-45-A100	2	450	100	610	7.38
GE-KT2-D90-50-A100	2	500	100	660	8.50
GE-KT2-D90-60-A100	2	600	100	760	10.98
GE-KT2-D90-75-A100	2	750	100	910	15.41
GE-KT2-D90-90-A100	2	900	100	1060	20.60

No couplers required for fixing to cable trays.
 Please specify radius when ordering.

Birleştirme için ek parçasına gerek yoktur.
 Siparişte radyusu belirtiniz.

Нет арматуры, необходимой для фиксации кабеля в лотки.
 Укажите радиус при заказе.

Flat bends in 90°, 60°, 45°, 30° are available on request.
 90° flat bend is supplied as standard unless the angle is specified when ordering.

90°, 60°, 45°, 30° dönüşler mevcuttur.
 Başka ölçü belirtilmedikçe standart 90° teslim edilir.

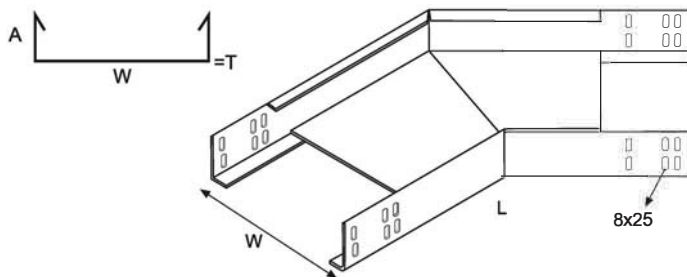
Угловые элементы могут быть изготовлены 90, 60, 45, 30. Стандартный размер 90, кроме случаев оговорённых при заказе.

GE-KT2-D45-A100

45° flat bend

45° dönüş elemanı

Секция угловая горизонтальная 45°



Part No	T	W	A	L	Kg
GE-KT2-D45-10-A100	1.5	100	100	260	1.52
GE-KT2-D45-12-A100	1.5	120	100	280	1.67
GE-KT2-D45-15-A100	1.5	150	100	310	1.90
GE-KT2-D45-20-A100	1.5	200	100	360	2.34
GE-KT2-D45-22-A100	1.5	225	100	385	2.60
GE-KT2-D45-25-A100	1.5	250	100	410	2.84
GE-KT2-D45-30-A100	2	300	100	470	4.54
GE-KT2-D45-40-A100	2	400	100	570	6.34
GE-KT2-D45-45-A100	2	450	100	610	7.38
GE-KT2-D45-50-A100	2	500	100	660	8.50
GE-KT2-D45-60-A100	2	600	100	760	10.98
GE-KT2-D45-75-A100	2	750	100	910	15.41
GE-KT2-D45-90-A100	2	900	100	1060	20.60

No couplers required for fixing to cable trays.
 Please specify radius when ordering.

Birleştirme için ek parçasına gerek yoktur.
 Siparişte radyusu belirtiniz.

Нет арматуры, необходимой для фиксации кабеля в лотки.
 Укажите радиус при заказе.

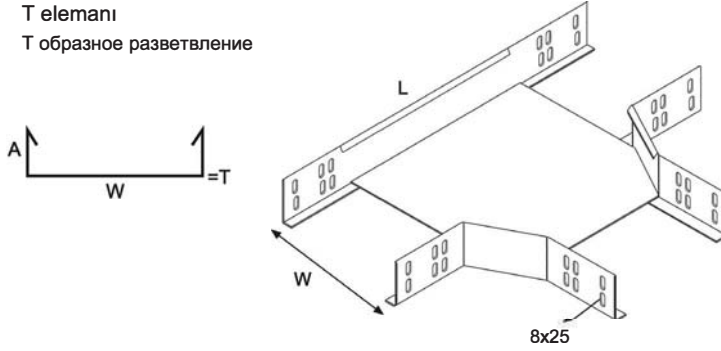
Material options: Stainless steel AISI 304 (L) (A2) / AISI 316 (L) (A4), ST-37-42 Mild Steel, Corten A, Pregalvanized steel, Aluminum
 Finish options : Hot Dip Galvanized to EN 1461, Electrogalvanized to TS 149, Electrostatic Paint Coated, Prime coated
 See material & finish option charts for available product specific selections.

Cable Trays

100

GE-KT2-T-A100

Tee
 T elemanı
 T образное разветвление

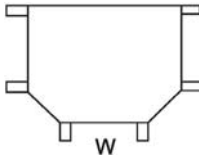


No couplers required for fixing to cable trays.
 Please specify radius when ordering.

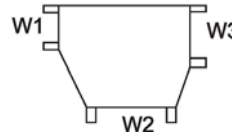
Birleştirme için ek parçasına gerek yoktur.
 Siparişte radyusu belirtiniz.

Нет арматуры, необходимой для фиксации кабеля в лотки.
 Укажите радиус при заказе.

Part No	T	W	A	L	Kg
GE-KT2-T-10-A100	1.5	100	100	420	1.93
GE-KT2-T-12-A100	1.5	120	100	440	2.00
GE-KT2-T-15-A100	1.5	150	100	470	2.28
GE-KT2-T-20-A100	1.5	200	100	520	2.66
GE-KT2-T-22-A100	1.5	225	100	545	2.90
GE-KT2-T-25-A100	1.5	250	100	570	3.11
GE-KT2-T-30-A100	2	300	100	620	4.84
GE-KT2-T-40-A100	2	400	100	720	6.47
GE-KT2-T-45-A100	2	450	100	770	7.46
GE-KT2-T-50-A100	2	500	100	820	8.50
GE-KT2-T-60-A100	2	600	100	920	10.85
GE-KT2-T-75-A100	2	750	100	1070	15.05
GE-KT2-T-90-A100	2	900	100	1220	20.00



Equal Tee
 Eşit T Elemanı
 Равное разветвление

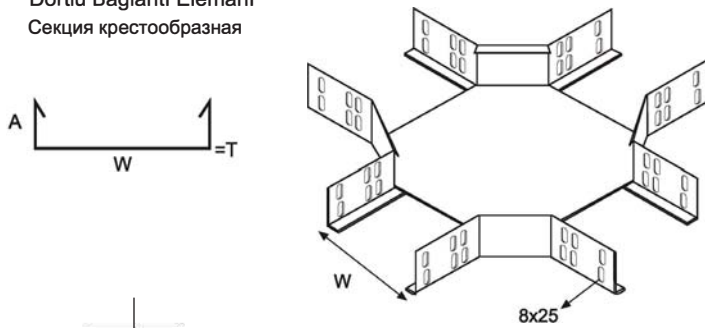


Unequal Tee
 Eşit olmayan T Elemanı
 Неравное разветвление

Please specify the widths of unequal tees by drawing.
 Eşit olmayan T' lerde W ölçülerini siparişte belirtiniz.
 Укажите размеры W неравного T-образного разветвления.

GE-KT2-DB-A100

Crossing
 Dörtlü Bağlantı Elemanı
 Секция крестообразная



No couplers required for fixing to cable trays.
 Please specify radius when ordering.

Birleştirme için ek parçasına gerek yoktur.
 Siparişte radyusu belirtiniz.

Нет арматуры, необходимой для фиксации кабеля в лотки.
 Укажите радиус при заказе.

Part No	T	W	A	L	Kg
GE-KT2-DB-10-A100	1.5	100	100	420	2.34
GE-KT2-DB-12-A100	1.5	120	100	440	2.43
GE-KT2-DB-15-A100	1.5	150	100	470	2.59
GE-KT2-DB-20-A100	1.5	200	100	520	2.95
GE-KT2-DB-22-A100	1.5	225	100	545	3.14
GE-KT2-DB-25-A100	1.5	250	100	570	3.34
GE-KT2-DB-30-A100	2	300	100	620	5.06
GE-KT2-DB-40-A100	2	400	100	720	6.62
GE-KT2-DB-45-A100	2	450	100	770	6.97
GE-KT2-DB-50-A100	2	500	100	820	8.42
GE-KT2-DB-60-A100	2	600	100	920	10.67
GE-KT2-DB-75-A100	2	750	100	1070	14.67
GE-KT2-DB-90-A100	2	900	100	1220	19.42

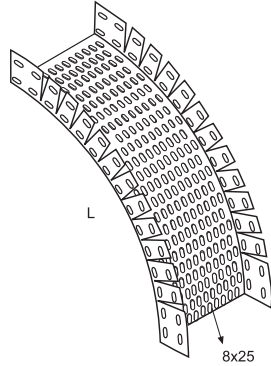
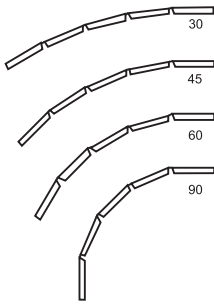
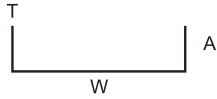
Material options: Stainless steel AISI 304 (L) (A2) / AISI 316 (L) (A4), ST-37-42 Mild Steel, Corten A, Pregalvanized steel, Aluminum
 Finish options : Hot Dip Galvanized to EN 1461, Electrogalvanized to TS 149, Electrostatic Paint Coated, Prime coated
 See material & finish option charts for available product specific selections.

Cable Trays

100

GE-KT2-OBF-A100

Flexible outside bend
 Modüler dış bükey elemanı
 Внешний угловой элемент



Part No	T	W	A	L	Kg
GE-KT2-OBF-10-A100	1.5	100	100	500	1.86
GE-KT2-OBF-12-A100	1.5	120	100	500	1.98
GE-KT2-OBF-15-A100	1.5	150	100	500	2.16
GE-KT2-OBF-20-A100	1.5	200	100	750	3.70
GE-KT2-OBF-22-A100	1.5	225	100	750	3.90
GE-KT2-OBF-25-A100	1.5	250	100	750	4.14
GE-KT2-OBF-30-A100	2	300	100	750	6.12
GE-KT2-OBF-40-A100	2	400	100	750	7.32
GE-KT2-OBF-45-A100	2	450	100	750	7.92
GE-KT2-OBF-50-A100	2	500	100	750	8.52
GE-KT2-OBF-60-A100	2	600	100	1000	12.96
GE-KT2-OBF-75-A100	2	750	100	1000	15.36
GE-KT2-OBF-90-A100	2	900	100	1000	17.60

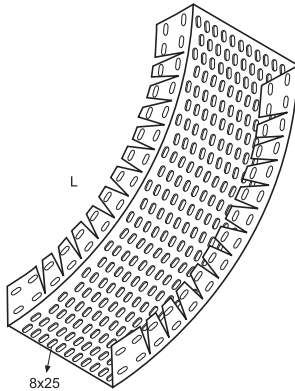
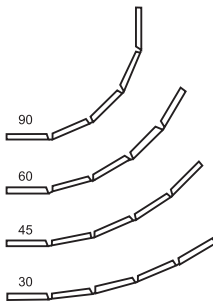
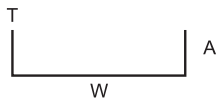
Connection to be made with splice plates.
 Please specify radius when ordering.

Birleştirme için GE-EK kullanılır.
 Siparişte radyusu belirtiniz.

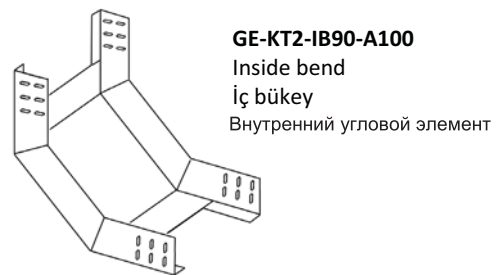
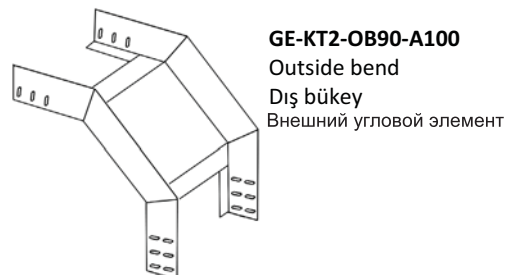
Соединение будет с сращивание пластин.
 Укажите радиус при заказе.

GE-KT2-IBF-A100

Flexible inside bend
 Modüler iç bükey elemanı
 Внутренний угловой элемент



Part No	T	W	A	L	Kg
GE-KT2-IBF-10-A100	1.5	100	100	500	1.86
GE-KT2-IBF-12-A100	1.5	120	100	500	1.98
GE-KT2-IBF-15-A100	1.5	150	100	500	2.16
GE-KT2-IBF-20-A100	1.5	200	100	750	3.70
GE-KT2-IBF-22-A100	1.5	225	100	750	3.90
GE-KT2-IBF-25-A100	1.5	250	100	750	4.14
GE-KT2-IBF-30-A100	2	300	100	750	6.12
GE-KT2-IBF-40-A100	2	400	100	750	7.32
GE-KT2-IBF-45-A100	2	450	100	750	7.92
GE-KT2-IBF-50-A100	2	500	100	750	8.52
GE-KT2-IBF-60-A100	2	600	100	1000	12.96
GE-KT2-IBF-75-A100	2	750	100	1000	15.36
GE-KT2-IBF-90-A100	2	900	100	1000	17.60



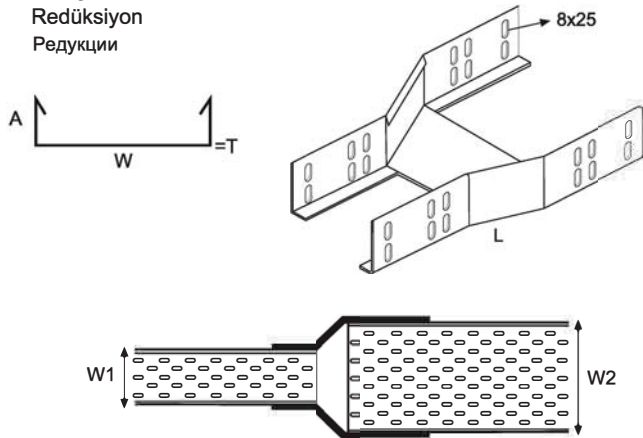
Material options: Stainless steel AISI 304 (L) (A2) / AISI 316 (L) (A4), ST-37-42 Mild Steel, Corten A, Pregalvanized steel, Aluminum
 Finish options : Hot Dip Galvanized to EN 1461, Electrogalvanized to TS 149, Electrostatic Paint Coated, Prime coated
 See material & finish option charts for available product specific selections.

Cable Trays

100

GE-KT2-R-A100

Straight reducer
 Redüksiyon
 Редукции



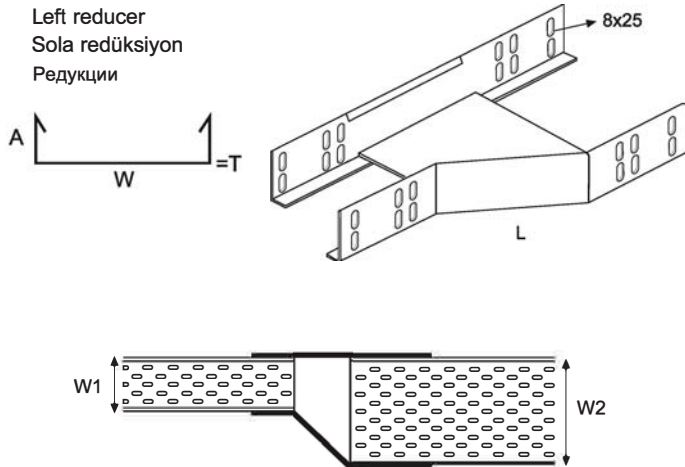
Part No	T	W1 - W2	A	L	Kg
GE-KT2-R-10-20-A100	1.5	100 - 200	100	300	1.10
GE-KT2-R-10-30-A100	1.5	100 - 300	100	340	1.40
GE-KT2-R-10-40-A100	1.5	100 - 400	100	400	1.90
GE-KT2-R-10-50-A100	1.5	100 - 500	100	440	2.35
GE-KT2-R-10-60-A100	1.5	100 - 600	100	490	2.90
GE-KT2-R-10-75-A100	1.5	100 - 750	100	560	3.80
GE-KT2-R-10-90-A100	1.5	100 - 900	100	650	5.00

How to order / Kodlama / Как написать при заказе

GE-KT2 R 100 200 A100 HDG
 (Series + Product + Width1 + Width2 + Height + Finish)

GE-KT2-RL-A100

Left reducer
 Sola redüksiyon
 Редукции



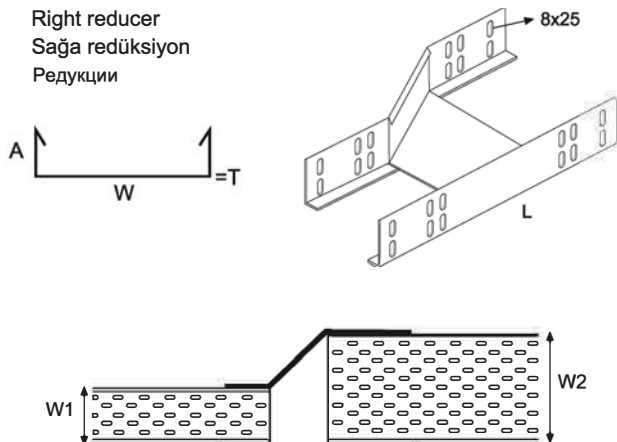
Part No	T	W1 - W2	A	L	Kg
GE-KT2-RL-10-20-A100	1.5	100 - 200	100	300	1.10
GE-KT2-RL-10-30-A100	1.5	100 - 300	100	340	1.50
GE-KT2-RL-10-40-A100	1.5	100 - 400	100	400	2.00
GE-KT2-RL-10-50-A100	1.5	100 - 500	100	440	2.45
GE-KT2-RL-10-60-A100	1.5	100 - 600	100	490	3.05
GE-KT2-RL-10-75-A100	1.5	100 - 750	100	560	4.00
GE-KT2-RL-10-90-A100	1.5	100 - 900	100	650	5.25

How to order / Kodlama / Как написать при заказе

GE-KT2 RL 100 200 A100 HDG
 (Series + Product + Width1 + Width2 + Height + Finish)

GE-KT2-RR-A100

Right reducer
 Sağa redüksiyon
 Редукции



Part No	T	W1 - W2	A	L	Kg
GE-KT2-RR-10-20-A100	1.5	100 - 200	100	300	1.10
GE-KT2-RR-10-30-A100	1.5	100 - 300	100	340	1.50
GE-KT2-RR-10-40-A100	1.5	100 - 400	100	400	2.00
GE-KT2-RR-10-50-A100	1.5	100 - 500	100	440	2.45
GE-KT2-RR-10-60-A100	1.5	100 - 600	100	490	3.05
GE-KT2-RR-10-75-A100	1.5	100 - 750	100	560	4.00
GE-KT2-RR-10-90-A100	1.5	100 - 900	100	650	5.25

How to order / Kodlama / Как написать при заказе

GE-KT2 RR 100 200 A100 HDG
 (Series + Product + Width1 + Width2 + Height + Finish)

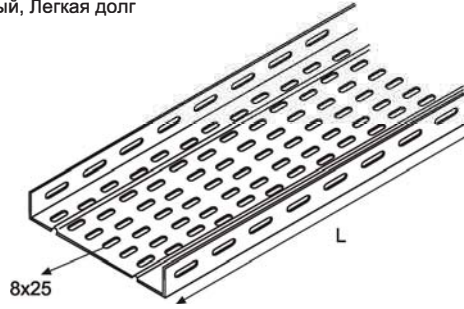
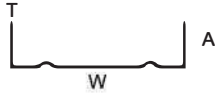
Material options: Stainless steel AISI 304 (L) (A2) / AISI 316 (L) (A4), ST-37-42 Mild Steel, Corten A, Pregalvanized steel, Aluminum
 Finish options : Hot Dip Galvanized to EN 1461, Electrogalvanized to TS 149, Electrostatic Paint Coated, Prime coated
 See material & finish option charts for available product specific selections.

Cable Trays

40

GE-KT3-A40

Reinforced type cable trays, light duty
 Güçlendirilmiş tip kablo kanalları hafif hizmet
 Кабельные лотки усиленный, Легкая долг



Part No1	T	W	A	L	Kg/m
GE-KT3-10-A40	1	100	40	3000	1.40
GE-KT3-12-A40	1	120	40	3000	1.56
GE-KT3-15-A40	1	150	40	3000	1.80
GE-KT3-20-A40	1	200	40	3000	2.20
GE-KT3-22-A40	1	225	40	3000	2.40
GE-KT3-25-A40	1.2	250	40	3000	3.12
GE-KT3-30-A40	1.2	300	40	3000	3.60
GE-KT3-40-A40	1.2	400	40	3000	4.55
GE-KT3-45-A40	1.2	450	40	3000	5.00
GE-KT3-50-A40	1.5	500	40	3000	6.89
GE-KT3-60-A40	1.5	600	40	3000	8.10
GE-KT3-75-A40	1.5	750	40	3000	9.90
GE-KT3-90-A40	1.5	900	40	3000	11.70

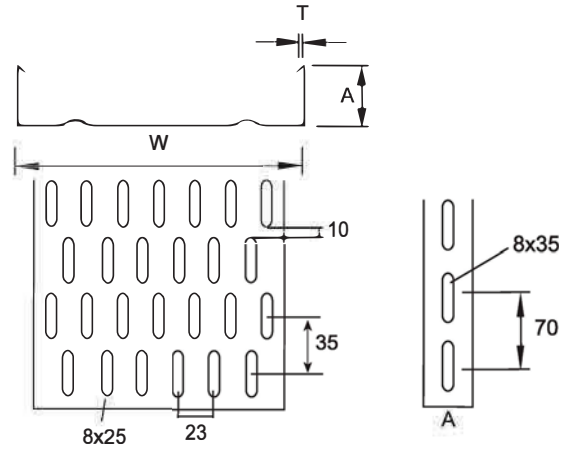
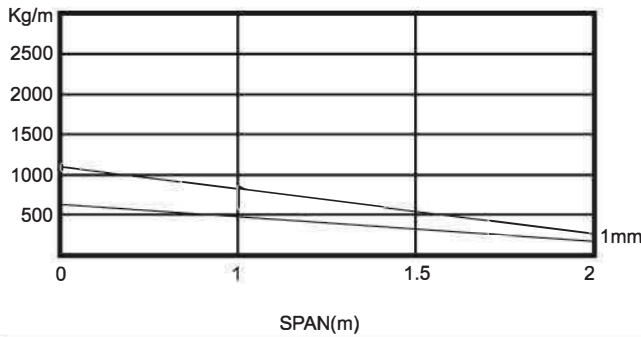
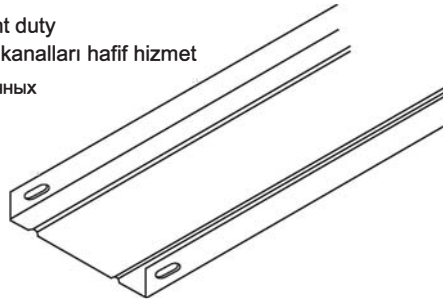
Custom production available upon request.
 isteğe göre diğer ölçülerde üretim yapılır.

Возможно изготовление продукции на заказ.

SS4 SS6 HDG PG EG ESB APB AL

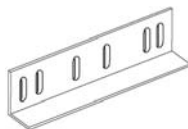
GE-KTN3-A40

Reinforced type cable trays, light duty
 Güçlendirilmiş tip deliksiz kablo kanalları hafif hizmet
 Армированная, не перфорированных
 кабельных лотков, Легкая долг



GE-EK-40

Splice plate
 Ek parçası
 Связующий элемент



GE-KC-2

Fixing set
 Kanal civata takımı
 Комплект винтового соединения



GE-LCN

PVC strip
 PVC conta
 Резиновые прокладки



GE-LCND

PVC strip double
 PVC conta, çiftli
 Резиновые прокладки



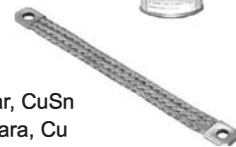
GE-SPRAY-1

Zinc spray
 Çinko sprej
 Спрей цинка



GE-BFEC-4

Flat flexible bar, CuSn
 Yassı esnek bara, Cu
 Провод



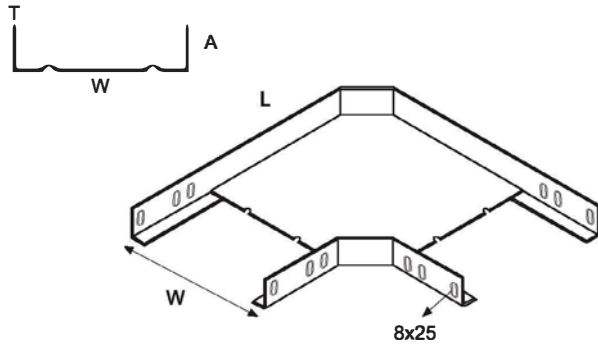
Material options: Stainless steel AISI 304 (L) (A2) / AISI 316 (L) (A4), ST-37-42 Mild Steel, Corten A, Pregalvanized steel, Aluminum
 Finish options : Hot Dip Galvanized to EN 1461, Electrogalvanized to TS 149, Electrostatic Paint Coated, Prime coated
 See material & finish option charts for available product specific selections.

Cable Trays

40

GE-KT3-D90-A40

90° flat bend
 90° dönüş elemanı
 Секция угловая горизонтальная 90°



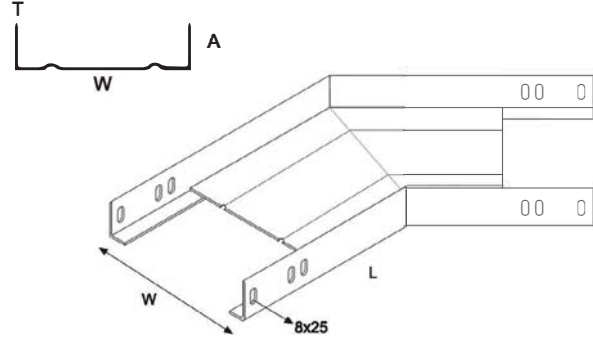
No couplers required for fixing to cable trays.
 Please specify radius when ordering.

Birleştirme için ek parçasına gerek yoktur.
 Siparişte radyusu belirtiniz.

Нет арматуры, необходимой для фиксации кабеля в лотки.
 Укажите радиус при заказе.

GE-KT3-D45-A40

45° flat bend
 45° dönüş elemanı
 Секция угловая горизонтальная 45°



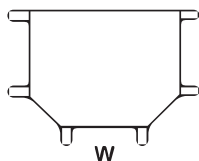
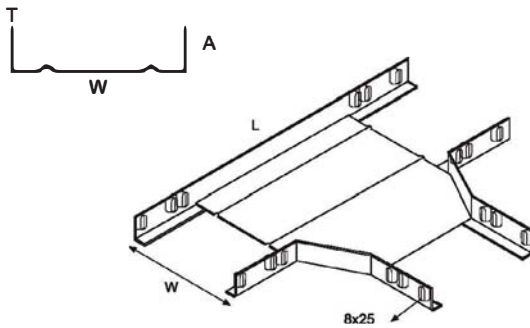
Flat bends in 90°, 60°, 45°, 30° are available on request.
 90° flat bend is supplied as standard unless the angle is specified when ordering.

90°, 60°, 45°, 30° dönüşler mevcuttur.
 Başka ölçü belirtilmedikçe standart 90° teslim edilir.

Угловые элементы могут быть изготовлены 90, 60, 45, 30. Стандартный размер 90, кроме случаев оговорённых при заказе.

GE-KT3-T-A40

Tee
 T elemanı
 T образное разветвление



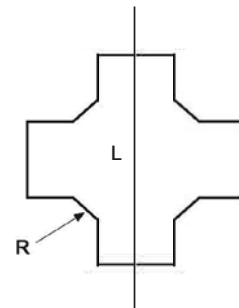
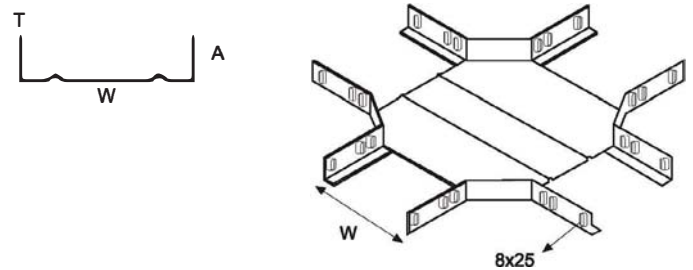
Equal Tee
 Eşit T Elemanı
 Равное разветвление



Unequal Tee
 Eşit olmayan T Elemanı
 Неравное разветвление

GE-KT3-DB-A40

Crossing
 Dörtlü Bağlantı Elemanı
 Секция крестообразная



Material options: Stainless steel AISI 304 (L) (A2) / AISI 316 (L) (A4), ST-37-42 Mild Steel, Corten A, Pregalvanized steel, Aluminum
 Finish options : Hot Dip Galvanized to EN 1461, Electrogalvanized to TS 149, Electrostatic Paint Coated, Prime coated
 See material & finish option charts for available product specific selections.

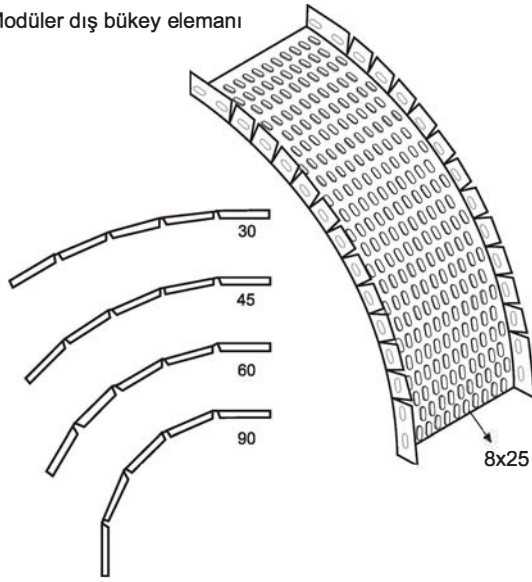
Cable Trays

40

GE-KT3-OBF-A40

Flexible outside bend

Modüler dış bükey elemanı



Connection to be made with splice plates.
 Please specify radius when ordering.

Birleştirme için GE-EK kullanılır.
 Siparişte radyusu belirtiniz

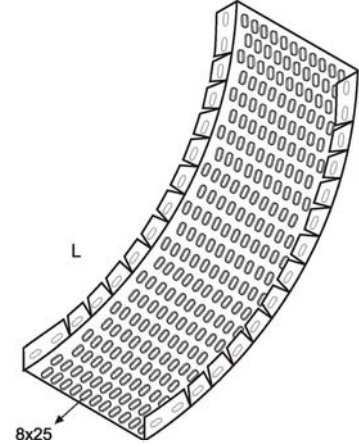
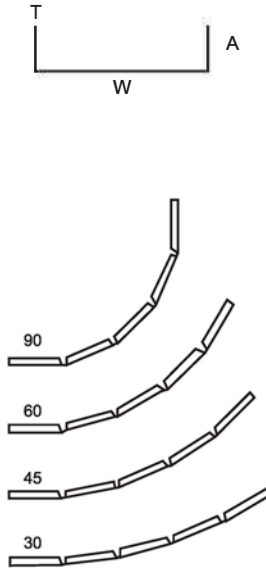
Соединение будет с сращивание пластин.
 Укажите радиус при заказе.

GE-KT3-IBF-A40

Flexible inside bend

Modüler iç bükey elemanı

Внутренний угловой элемент

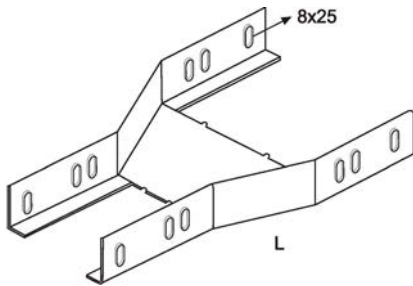
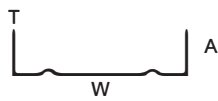


GE-KT3-R-A40

Straight reducer

Redüksiyon

Редукции

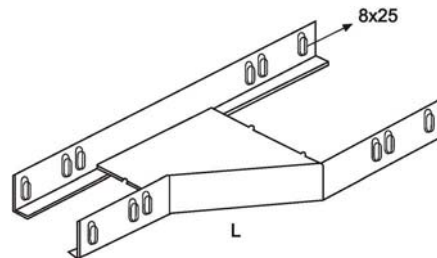
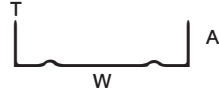


GE-KT3-RL-A40

Left reducer

Sola redüksiyon

Редукции

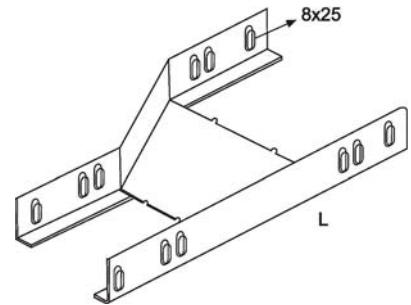
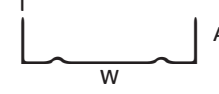


GE-KT3-RR-A40

Right reducer

Sağa redüksiyon

Редукции



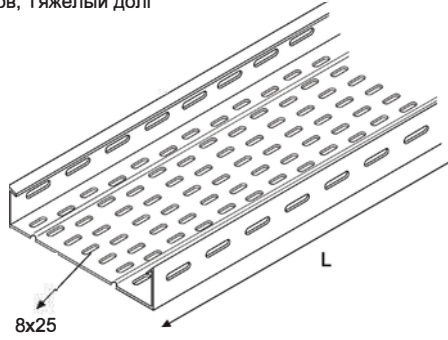
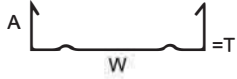
Material options: Stainless steel AISI 304 (L) (A2) / AISI 316 (L) (A4), ST-37-42 Mild Steel, Corten A, Pregalvanized steel, Aluminum
 Finish options : Hot Dip Galvanized to EN 1461, Electrogalvanized to TS 149, Electrostatic Paint Coated, Prime coated
 See material & finish option charts for available product specific selections.

Cable Trays

60

GE-KT4-A60

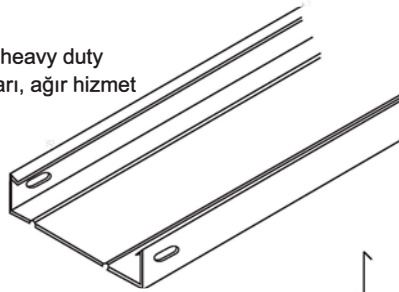
Reinforced type cable trays, heavy duty
 Güçlendirilmiş tip kablo kanalları ağır hizmet tipi
 Армированная кабельных лотков, Тяжелый долг



Part No1	T	W	A	L	Kg
GE-KT4-10-A60	1	100	60	3000	1.83
GE-KT4-12-A60	1	120	60	3000	2.00
GE-KT4-15-A60	1	150	60	3000	2.26
GE-KT4-20-A60	1	200	60	3000	2.66
GE-KT4-22-A60	1	225	60	3000	2.86
GE-KT4-25-A60	1.2	250	60	3000	3.67
GE-KT4-30-A60	1.2	300	60	3000	4.15
GE-KT4-40-A60	1.2	400	60	3000	5.12
GE-KT4-45-A60	1.2	450	60	3000	5.59
GE-KT4-50-A60	1.5	500	60	3000	7.50
GE-KT4-60-A60	1.5	600	60	3000	9.37
GE-KT4-75-A60	1.5	750	60	3000	10.57
GE-KT4-90-A60	1.5	900	60	3000	12.37

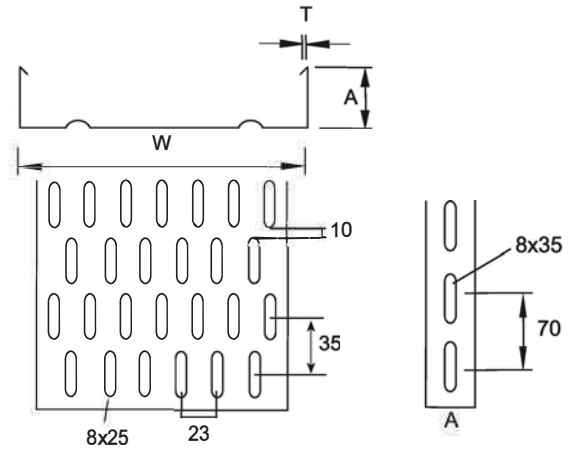
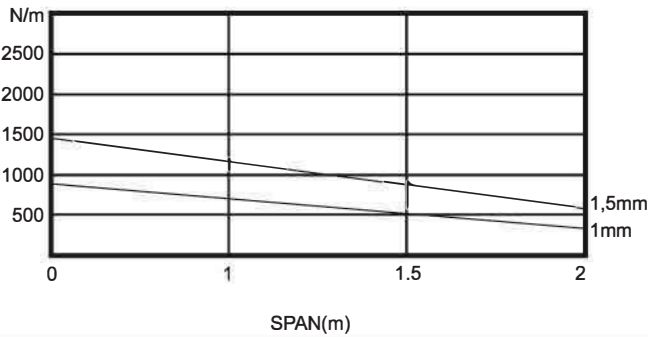
GE-KT4-75-A60

Reinforced non perforated cable trays, heavy duty
 Güçlendirilmiş tip deliksiz kablo kanalları, ağır hizmet
 Армированная, не перфорированных кабельных лотков, Тяжелый долг



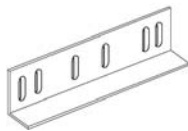
Custom production available upon request.
 İsteğe göre diğer ölçülerde üretim yapılır.
 Возможно изготовление продукции на заказ.

SS4 SS6 HDG PG EG ESB APB AL



GE-EK-60

Splice plate
 Ek parçası
 Связующий элемент



GE-LCN

PVC strip
 PVC conta
 Резиновые прокладки



GE-SPRAY-1

Zinc spray
 Çinko sprej
 Спрей цинка



GE-KC-2

Fixing set
 Kanal civata takımı
 Комплект винтового соединения



GE-LCND

PVC strip double
 PVC conta, çiftli
 Резиновые прокладки



GE-BFEC-4

Flat flexible bar, CuSn
 Yassı esnek bara, Cu
 Провод



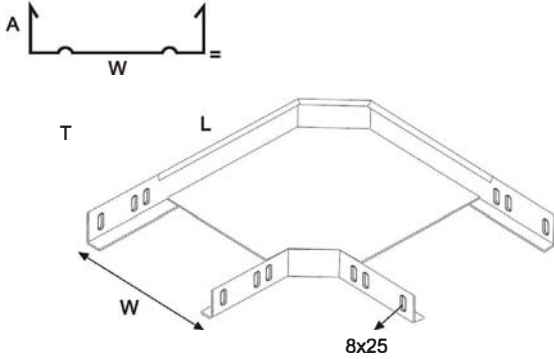
Material options: Stainless steel AISI 304 (L) (A2) / AISI 316 (L) (A4), ST-37-42 Mild Steel, Corten A, Pregalvanized steel, Aluminum
 Finish options : Hot Dip Galvanized to EN 1461, Electrogalvanized to TS 149, Electrostatic Paint Coated, Prime coated
 See material & finish option charts for available product specific selections.

Cable Trays

60

GE-KT4-D90-A60

90° flat bend
 90° dönüş elemanı
 Секция угловая горизонтальная 90°



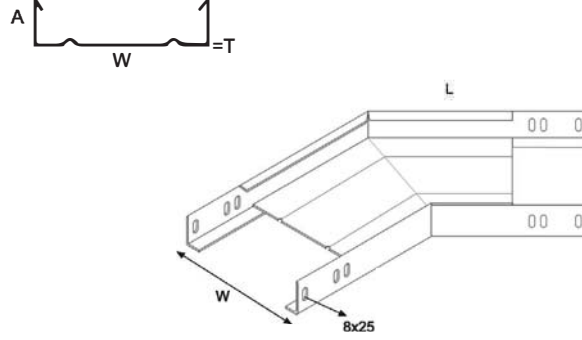
Flat bends in 90°, 60°, 45°, 30° are available on request.
 90° flat bend is supplied as standard unless the angle is specified when ordering.

90°, 60°, 45°, 30° dönüşler mevcuttur.
 Başka ölçü belirtilmedikçe standart 90° teslim edilir.

Угловые элементы могут быть изготовлены 90, 60, 45, 30. Стандартный размер 90, кроме случаев оговорённых при заказе.

GE-KT4-D45-A60

45° flat bend
 45° dönüş elemanı
 Секция угловая горизонтальная 45°



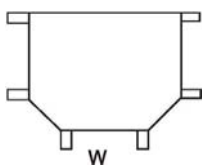
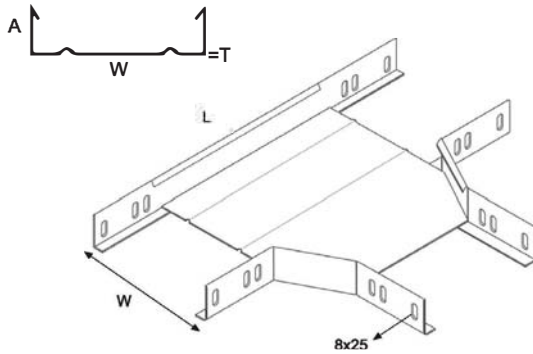
No couplers required for fixing to cable trays.
 Please specify radius when ordering.

Birleştirme için ek parçasına gerek yoktur.
 Siparişte radyusu belirtiniz.

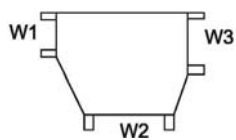
Нет арматуры, необходимой для фиксации кабеля в лотки.
 Укажите радиус при заказе.

GE-KT4-T-A60

Tee
 T elemanı
 T образное разветвление



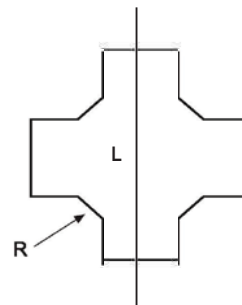
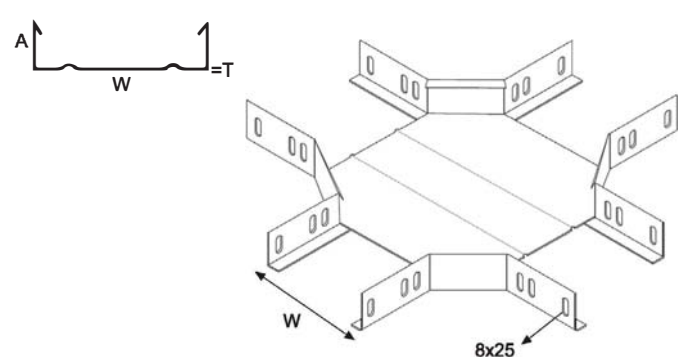
Equal Tee
 Eşit T Elemanı
 Равное разветвление



Unequal Tee
 Eşit olmayan T Elemanı
 Неравное разветвление

GE-KT4-DB-A60

Crossing
 Dörtlü Bağlantı Elemanı
 Секция крестообразная



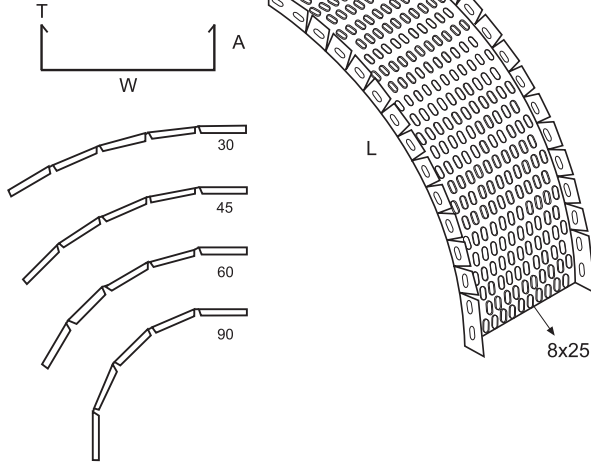
Material options: Stainless steel AISI 304 (L) (A2) / AISI 316 (L) (A4), ST-37-42 Mild Steel, Corten A, Pregalvanized steel, Aluminum
 Finish options : Hot Dip Galvanized to EN 1461, Electrogalvanized to TS 149, Electrostatic Paint Coated, Prime coated
 See material & finish option charts for available product specific selections.

Cable Trays

60

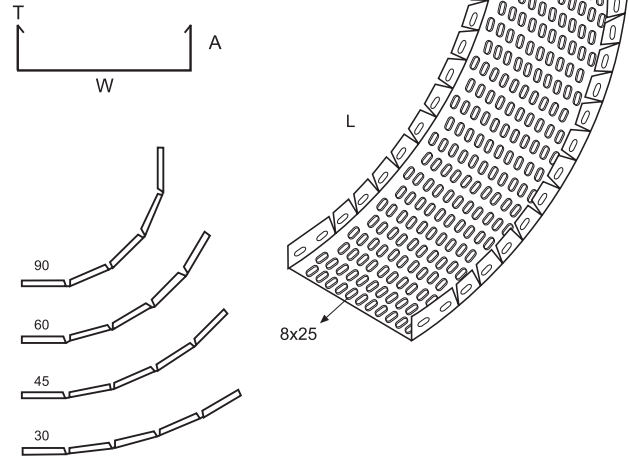
GE-KT4-OBF-A60

Flexible outside bend
 Modüler dış bükey elemanı
 Внешний угловой элемент



GE-KT4-IBF-A60

Flexible inside bend
 Modüler iç bükey elemanı
 Внутренний угловой элемент



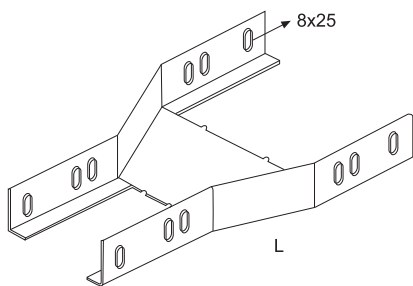
Connection to be made with splice plates.
 Please specify radius when ordering.

Birleştirme için GE-EK kullanılır.
 Siparişte radyusu belirtiniz

Соединение будет с сращивание пластин.
 Укажите радиус при заказе.

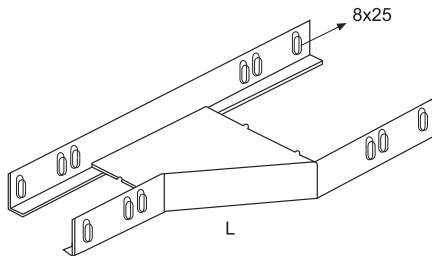
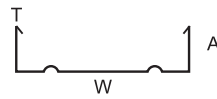
GE-KT4-R-A60

Straight reducer
 Redüksiyon
 Редукции



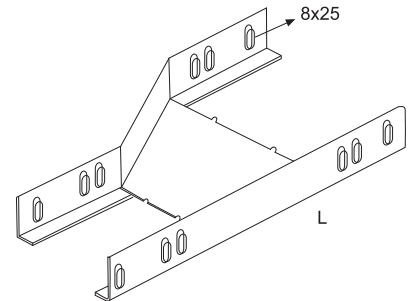
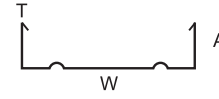
GE-KT4-RL-A60

Left reducer
 Sola redüksiyon
 Редукции



GE-KT4-RR-A60

Right reducer
 Sağa redüksiyon
 Редукции

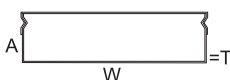


Material options: Stainless steel AISI 304 (L) (A2) / AISI 316 (L) (A4), ST-37-42 Mild Steel, Corten A, Pregalvanized steel, Aluminum
 Finish options : Hot Dip Galvanized to EN 1461, Electrogalvanized to TS 149, Electrostatic Paint Coated, Prime coated
 See material & finish option charts for available product specific selections.

Cable Trays

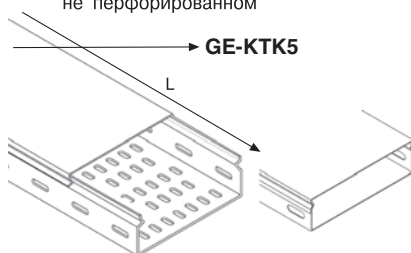
GE-KT5-A50

Cable trays with clamping lid
 Geçmeli tip kablo kanalı
 Кабельные лотки с эластичной крышкой



GE-KTN5-A50

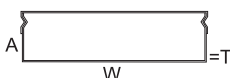
Cable trays with clamping lid, non perforated
 Geçmeli tip deliksiz kablo kanalı
 Кабельные лотки с эластичной крышкой не перфорированном



Part No	T	W	A	L	Kg
GE-KT5-10-A50	1	100	50	3000	2.64
GE-KT5-15-A50	1	150	50	3000	3.44
GE-KT5-20-A50	1.2	200	50	3000	5.10
GE-KT5-25-A50	1.2	250	50	3000	6.05
GE-KT5-30-A50	1.2	300	50	3000	7.00
GE-KT5-40-A50	1.5	400	50	3000	11.20
GE-KT5-50-A50	1.5	500	50	3000	13.56
GE-KT5-60-A50	1.5	600	50	3000	16.00
GE-KT5-75-A50	1.5	750	50	3000	19.60
GE-KT5-90-A50	1.5	900	50	3000	23.20

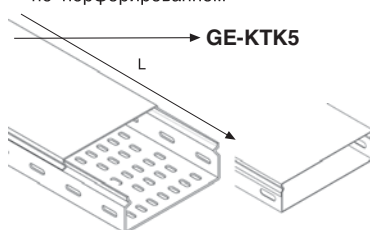
GE-KT5-A75

Cable trays with clamping lid
 Geçmeli tip kablo kanalı
 Кабельные лотки с эластичной крышкой



GE-KTN5-A75

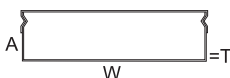
Cable trays with clamping lid, non perforated
 Geçmeli tip deliksiz kablo kanalı
 Кабельные лотки с эластичной крышкой не перфорированном



Part No	T	W	A	L	Kg
GE-KT5-10-A75	1.2	100	75	3000	3.65
GE-KT5-15-A75	1.5	150	75	3000	5.76
GE-KT5-20-A75	1.5	200	75	3000	7.00
GE-KT5-25-A75	1.5	250	75	3000	8.20
GE-KT5-30-A75	2	300	75	3000	12.45
GE-KT5-40-A75	2	400	75	3000	15.70
GE-KT5-50-A75	2	500	75	3000	18.90
GE-KT5-60-A75	2	600	75	3000	22.00
GE-KT5-75-A75	2	750	75	3000	26.90
GE-KT5-90-A75	2	900	75	3000	31.70

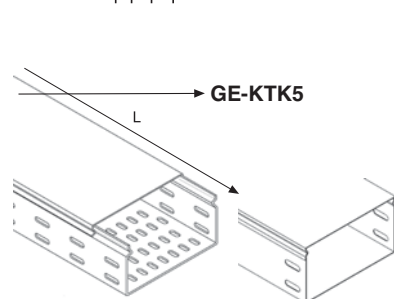
GE-KT5-A100

Cable trays with clamping lid
 Geçmeli tip kablo kanalı
 Кабельные лотки с эластичной крышкой



GE-KTN5-A100

Cable trays with clamping lid, non perforated
 Geçmeli tip deliksiz kablo kanalı
 Кабельные лотки с эластичной крышкой не перфорированном



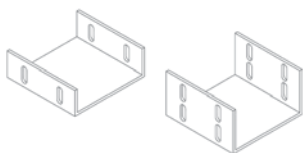
Part No	T	W	A	L	Kg
GE-KT5-10-A100	1.5	100	100	3000	5.16
GE-KT5-15-A100	1.5	150	100	3000	6.40
GE-KT5-20-A100	1.5	200	100	3000	7.60
GE-KT5-30-A100	2	300	100	3000	13.30
GE-KT5-40-A100	2	400	100	3000	16.50
GE-KT5-50-A100	2	500	100	3000	19.70
GE-KT5-60-A100	2	600	100	3000	22.90
GE-KT5-75-A100	2	750	100	3000	27.70
GE-KT5-90-A100	2	900	100	3000	32.50

Custom production available upon request.
 İsteğe göre diğer ölçülerde üretim yapılır.
 Возможно изготовление продукции на заказ.

SS4 SS6 HDG PG EG ESB APB AL

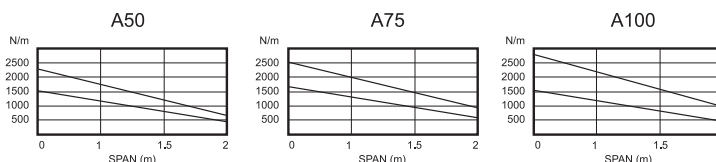
GE-KT5-EK

Splice plate
 Ek parçası
 Связующий элемент



Part No	T	A
GE-KT5-EK-50	2	50
GE-KT5-EK-100	2	100

Notes
 1 pc GE-EK / cable tray length
 4 pc GE-KC-2 / splice plate



Material options: Stainless steel AISI 304 (L) (A2) / AISI 316 (L) (A4), ST-37-42 Mild Steel, Corten A, Pregalvanized steel, Aluminum
 Finish options : Hot Dip Galvanized to EN 1461, Electrogalvanized to TS 149, Electrostatic Paint Coated, Prime coated
 See material & finish option charts for available product specific selections.

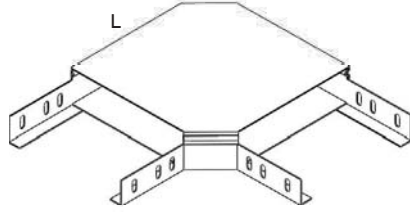
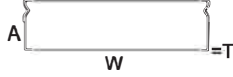
Cable Trays

GE-KT5-D90-A50

90° flat bend

90° dönüş elemanı

Секция угловая горизонтальная 90°



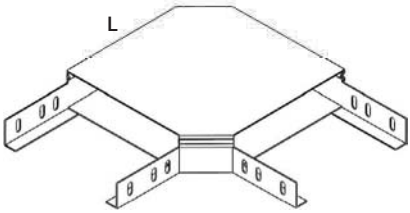
Part No	T	W	A	L	Kg
GE-KT5-D90-10-A50	1	100	50	260	0.97
GE-KT5-D90-15-A50	1	150	50	310	1.36
GE-KT5-D90-20-A50	1.2	200	50	360	1.92
GE-KT5-D90-25-A50	1.2	250	50	410	2.53
GE-KT5-D90-30-A50	1.2	300	50	470	3.42
GE-KT5-D90-40-A50	1.5	400	50	570	6.05
GE-KT5-D90-50-A50	1.5	500	50	660	8.58
GE-KT5-D90-60-A50	1.5	600	50	760	12.80
GE-KT5-D90-75-A50	1.5	750	50	910	18.75
GE-KT5-D90-90-A50	1.5	900	50	1060	25.90

GE-KT5-D90-A75

90° flat bend

90° dönüş elemanı

Секция угловая горизонтальная 90°



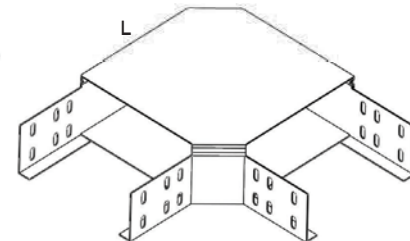
Part No	T	W	A	L	Kg
GE-KT5-D90-10-A75	1.2	100	75	260	1.27
GE-KT5-D90-15-A75	1.5	150	75	310	2.04
GE-KT5-D90-20-A75	1.5	200	75	360	2.65
GE-KT5-D90-25-A75	1.5	250	75	410	3.37
GE-KT5-D90-30-A75	2	300	75	470	5.25
GE-KT5-D90-40-A75	2	400	75	570	8.07
GE-KT5-D90-50-A75	2	500	75	660	11.21
GE-KT5-D90-60-A75	2	600	75	760	16.07
GE-KT5-D90-75-A75	2	750	75	910	23.25
GE-KT5-D90-90-A75	2	900	75	1060	31.83

GE-KT5-D90-A100

90° flat bend

90° dönüş elemanı

Секция угловая горизонтальная 90°



Part No	T	W	A	L	Kg
GE-KT5-D90-10-A100	1.5	100	100	260	1.73
GE-KT5-D90-15-A100	1.5	150	100	310	2.27
GE-KT5-D90-20-A100	1.5	200	100	360	2.91
GE-KT5-D90-25-A100	1.5	250	100	410	4.57
GE-KT5-D90-30-A100	2	300	100	470	5.64
GE-KT5-D90-40-A100	2	400	100	570	8.54
GE-KT5-D90-50-A100	2	500	100	660	11.75
GE-KT5-D90-60-A100	2	600	100	760	16.68
GE-KT5-D90-75-A100	2	750	100	910	23.96
GE-KT5-D90-90-A100	2	900	100	1060	32.60

No couplers required for fixing to cable trays.
 Please specify radius when ordering.

Birleştirme için ek parçasına gerek yoktur.
 Siparişte radyusu belirtiniz.

Нет арматуры, необходимой для фиксации кабеля в лотки.
 Укажите радиус при заказе.

Flat bends in 90°, 60°, 45°, 30° are available on request.
 90° flat bend is supplied as standard unless the angle is specified when ordering.

90°, 60°, 45°, 30° dönüşler mevcuttur.
 Başka ölçü belirtilmedikçe standart 90° teslim edilir.

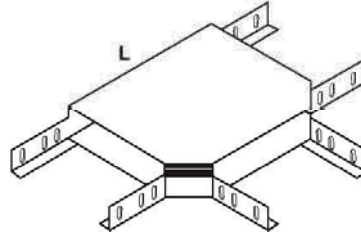
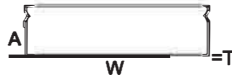
Угловые элементы могут быть изготовлены 90, 60, 45, 30. Стандартный размер 90, кроме случаев оговорённых при заказе.

Material options: Stainless steel AISI 304 (L) (A2) / AISI 316 (L) (A4), ST-37-42 Mild Steel, Corten A, Pregalvanized steel, Aluminum
 Finish options : Hot Dip Galvanized to EN 1461, Electrogalvanized to TS 149, Electrostatic Paint Coated, Prime coated
 See material & finish option charts for available product specific selections.

Cable Trays

GE-KT5-T-A50

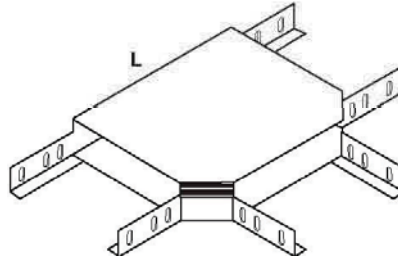
Tee
 T elemanı
 T образное разветвление



Part No	T	W	A	L	Kg
GE-KT5-T-10-A50	1	100	50	420	0.98
GE-KT5-T-15-A50	1	150	50	470	1.20
GE-KT5-T-20-A50	1.2	200	50	520	1.54
GE-KT5-T-25-A50	1.2	250	50	570	1.87
GE-KT5-T-30-A50	1.2	300	50	620	2.50
GE-KT5-T-40-A50	1.5	400	50	720	4.00
GE-KT5-T-50-A50	1.5	500	50	820	5.46
GE-KT5-T-60-A50	1.5	600	50	920	7.15
GE-KT5-T-75-A50	1.5	750	50	1070	10.20
GE-KT5-T-90-A50	1.5	900	50	1220	13.84

GE-KT5-T-A75

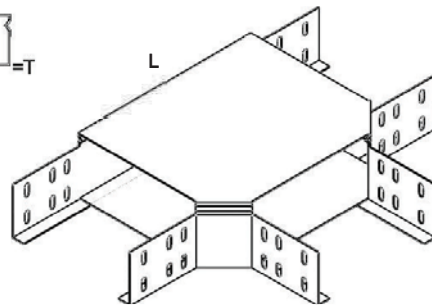
Tee
 T elemanı
 T образное разветвление



Part No	T	W	A	L	Kg
GE-KT5-T-10-A75	1.2	100	75	420	1.60
GE-KT5-T-15-A75	1.5	150	75	470	2.41
GE-KT5-T-20-A75	1.5	200	75	520	3.00
GE-KT5-T-25-A75	1.5	250	75	570	3.70
GE-KT5-T-30-A75	2	300	75	620	5.63
GE-KT5-T-40-A75	2	400	75	720	8.30
GE-KT5-T-50-A75	2	500	75	820	11.40
GE-KT5-T-60-A75	2	600	75	920	16.24
GE-KT5-T-75-A75	2	750	75	1070	23.30
GE-KT5-T-90-A75	2	900	75	1220	31.76

GE-KT5-T-A100

Tee
 T elemanı
 T образное разветвление



Part No	T	W	A	L	Kg
GE-KT5-T-10-A100	1.5	100	100	420	2.18
GE-KT5-T-15-A100	1.5	150	100	470	2.69
GE-KT5-T-20-A100	1.5	200	100	520	3.29
GE-KT5-T-25-A100	1.5	250	100	570	4.00
GE-KT5-T-30-A100	2	300	100	620	6.04
GE-KT5-T-40-A100	2	400	100	720	8.77
GE-KT5-T-50-A100	2	500	100	820	11.90
GE-KT5-T-60-A100	2	600	100	920	16.75
GE-KT5-T-75-A100	2	750	100	1070	23.87
GE-KT5-T-90-A100	2	900	100	1220	32.35

No couplers required for fixing to cable trays.
 Please specify radius when ordering.

Birleştirme için ek parçasına gerek yoktur.
 Siparişte radyusu belirtiniz.

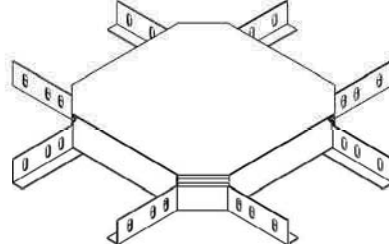
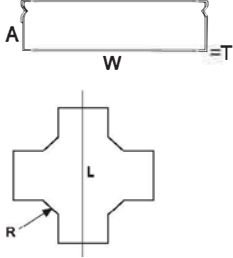
Нет арматуры, необходимой для фиксации кабеля в лотки.
 Укажите радиус при заказе.

Material options: Stainless steel AISI 304 (L) (A2) / AISI 316 (L) (A4), ST-37-42 Mild Steel, Corten A, Pregalvanized steel, Aluminum
 Finish options : Hot Dip Galvanized to EN 1461, Electrogalvanized to TS 149, Electrostatic Paint Coated, Prime coated
 See material & finish option charts for available product specific selections.

Cable Trays

GE-KT5-DB-A50

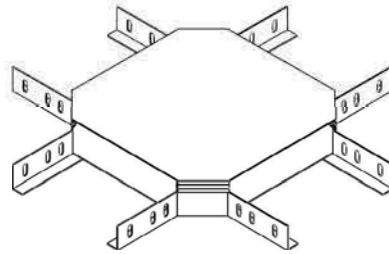
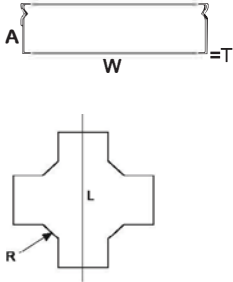
Crossing
 Dörtlü Bağlantı Elemanı
 Секция крестообразная



Part No	T	W	A	L	Kg
GE-KT5-DB-10-A50	1	100	50	420	1.49
GE-KT5-DB-15-A50	1	150	50	470	1.82
GE-KT5-DB-20-A50	1.2	200	50	520	2.42
GE-KT5-DB-25-A50	1.2	250	50	570	3.01
GE-KT5-DB-30-A50	1.2	300	50	620	3.90
GE-KT5-DB-40-A50	1.5	400	50	720	6.55
GE-KT5-DB-50-A50	1.5	500	50	820	9.10
GE-KT5-DB-60-A50	1.5	600	50	920	13.30
GE-KT5-DB-75-A50	1.5	750	50	1070	19.30
GE-KT5-DB-90-A50	1.5	900	50	1220	26.50

GE-KT5-DB-A75

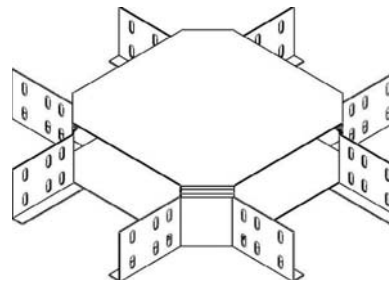
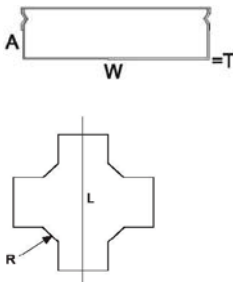
Crossing
 Dörtlü Bağlantı Elemanı
 Секция крестообразная



Part No	T	W	A	L	Kg
GE-KT5-DB-10-A75	1.2	100	75	420	1.91
GE-KT5-DB-15-A75	1.5	150	75	470	2.75
GE-KT5-DB-20-A75	1.5	200	75	520	3.33
GE-KT5-DB-25-A75	1.5	250	75	570	3.99
GE-KT5-DB-30-A75	2	300	75	620	5.92
GE-KT5-DB-40-A75	2	400	75	720	8.61
GE-KT5-DB-50-A75	2	500	75	820	11.60
GE-KT5-DB-60-A75	2	600	75	920	16.36
GE-KT5-DB-75-A75	2	750	75	1070	23.36
GE-KT5-DB-90-A75	2	900	75	1220	31.70

GE-KT5-DB-A100

Crossing
 Dörtlü Bağlantı Elemanı
 Секция крестообразная



Part No	T	W	A	L	Kg
GE-KT5-DB-10-A100	1.5	100	100	420	2.63
GE-KT5-DB-15-A100	1.5	150	100	470	3.06
GE-KT5-DB-20-A100	1.5	200	100	520	3.64
GE-KT5-DB-25-A100	1.5	250	100	570	4.30
GE-KT5-DB-30-A100	2	300	100	620	6.33
GE-KT5-DB-40-A100	2	400	100	720	9.02
GE-KT5-DB-50-A100	2	500	100	820	12.02
GE-KT5-DB-60-A100	2	600	100	920	16.77
GE-KT5-DB-75-A100	2	750	100	1070	23.77
GE-KT5-DB-90-A100	2	900	100	1220	32.12

No couplers required for fixing to cable trays.
 Please specify radius when ordering.

Birleştirme için ek parçasına gerek yoktur.
 Siparişte radyusu belirtiniz.

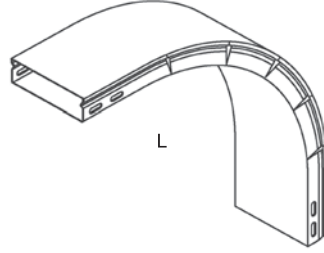
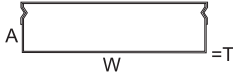
Нет арматуры, необходимой для фиксации кабеля в лотки.
 Укажите радиус при заказе.

Material options: Stainless steel AISI 304 (L) (A2) / AISI 316 (L) (A4), ST-37-42 Mild Steel, Corten A, Pregalvanized steel, Aluminum
 Finish options : Hot Dip Galvanized to EN 1461, Electrogalvanized to TS 149, Electrostatic Paint Coated, Prime coated
 See material & finish option charts for available product specific selections.

Cable Trays

GE-KT5-OBF-A50

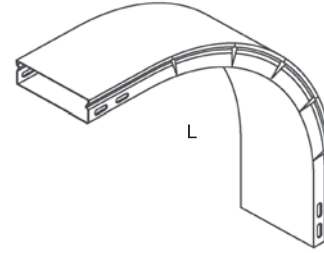
Flexible outside bend
 Modüler dış bükey elemanı
 Внешний угловой элемент



Part No	T	W	A	L	Kg
GE-KT5-OBF-10-A50	1	100	50	500	1.58
GE-KT5-OBF-15-A50	1	150	50	500	2.05
GE-KT5-OBF-20-A50	1.2	200	50	750	3.57
GE-KT5-OBF-25-A50	1.2	250	50	750	4.20
GE-KT5-OBF-30-A50	1.2	300	50	750	4.81
GE-KT5-OBF-40-A50	1.5	400	50	750	7.60
GE-KT5-OBF-50-A50	1.5	500	50	750	9.20
GE-KT5-OBF-60-A50	1.5	600	50	1000	13.90
GE-KT5-OBF-75-A50	1.5	750	50	1000	17.05
GE-KT5-OBF-90-A50	1.5	900	50	1000	20.10

GE-KT5-OBF-A75

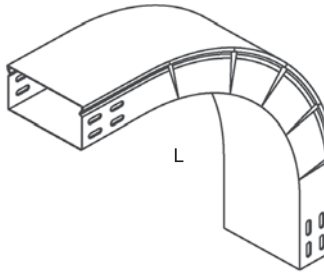
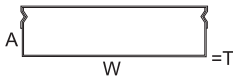
Flexible outside bend
 Modüler dış bükey elemanı
 Внешний угловой элемент



Part No	T	W	A	L	Kg
GE-KT5-OBF-10-A75	1.2	100	75	500	2.03
GE-KT5-OBF-15-A75	1.5	150	75	500	2.92
GE-KT5-OBF-20-A75	1.5	200	75	750	4.66
GE-KT5-OBF-25-A75	1.5	250	75	750	5.38
GE-KT5-OBF-30-A75	2	300	75	750	7.49
GE-KT5-OBF-40-A75	2	400	75	750	9.84
GE-KT5-OBF-50-A75	2	500	75	750	11.74
GE-KT5-OBF-60-A75	2	600	75	1000	17.72
GE-KT5-OBF-75-A75	2	750	75	1000	21.47
GE-KT5-OBF-90-A75	2	900	75	1000	25.12

GE-KT5-OBF-A100

Flexible outside bend
 Modüler dış bükey elemanı
 Внешний угловой элемент



Part No	T	W	A	L	Kg
GE-KT5-OBF-10-A100	1.5	100	100	500	2.59
GE-KT5-OBF-15-A100	1.5	150	100	500	3.16
GE-KT5-OBF-20-A100	1.5	200	100	750	5.02
GE-KT5-OBF-25-A100	1.5	250	100	750	5.74
GE-KT5-OBF-30-A100	2	300	100	750	7.97
GE-KT5-OBF-40-A100	2	400	100	750	10.32
GE-KT5-OBF-50-A100	2	500	100	750	12.22
GE-KT5-OBF-60-A100	2	600	100	1000	18.36
GE-KT5-OBF-75-A100	2	750	100	1000	22.11
GE-KT5-OBF-90-A100	2	900	100	1000	25.60

Connection to be made with splice plates.
 Please specify radius when ordering.

Birleştirme için GE-EK kullanılır.
 Siparişte radyusu belirtiniz

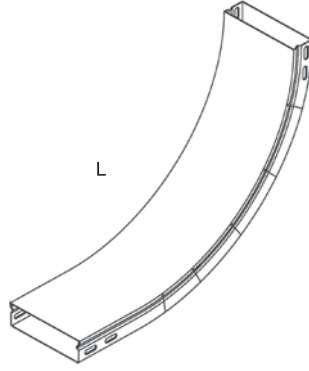
Соединение будет с сращивание пластин.
 Укажите радиус при заказе.

Material options: Stainless steel AISI 304 (L) (A2) / AISI 316 (L) (A4), ST-37-42 Mild Steel, Corten A, Pregalvanized steel, Aluminum
 Finish options : Hot Dip Galvanized to EN 1461, Electrogalvanized to TS 149, Electrostatic Paint Coated, Prime coated
 See material & finish option charts for available product specific selections.

Cable Trays

GE-KT5-IBF-A50

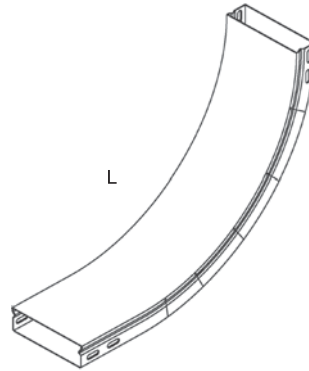
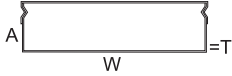
Flexible Inside bend
 Modüler iç bükey
 Внутри изгиб



Part No	T	W	A	L	Kg
GE-KT5-IBF-10-A50	1	100	50	500	1.58
GE-KT5-IBF-15-A50	1	150	50	500	2.05
GE-KT5-IBF-20-A50	1.2	200	50	750	3.57
GE-KT5-IBF-25-A50	1.2	250	50	750	4.20
GE-KT5-IBF-30-A50	1.2	300	50	750	4.81
GE-KT5-IBF-40-A50	1.5	400	50	750	7.60
GE-KT5-IBF-50-A50	1.5	500	50	750	9.20
GE-KT5-IBF-60-A50	1.5	600	50	1000	13.90
GE-KT5-IBF-75-A50	1.5	750	50	1000	17.05
GE-KT5-IBF-90-A50	1.5	900	50	1000	20.10

GE-KT5-IBF-A75

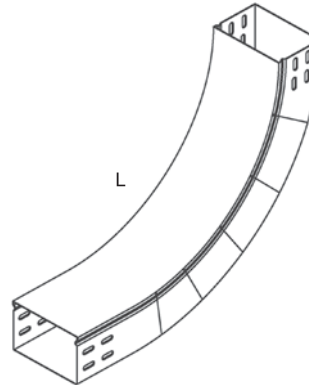
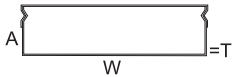
Flexible Inside bend
 İç bükey elemanı
 Внутри изгиб



Part No	T	W	A	L	Kg
GE-KT5-IBF-10-A75	1.2	100	75	500	2.03
GE-KT5-IBF-15-A75	1.5	150	75	500	2.92
GE-KT5-IBF-20-A75	1.5	200	75	750	4.66
GE-KT5-IBF-25-A75	1.5	250	75	750	5.38
GE-KT5-IBF-30-A75	2	300	75	750	7.49
GE-KT5-IBF-40-A75	2	400	75	750	9.84
GE-KT5-IBF-50-A75	2	500	75	750	11.74
GE-KT5-IBF-60-A75	2	600	75	1000	17.72
GE-KT5-IBF-75-A75	2	750	75	1000	21.47
GE-KT5-IBF-90-A75	2	900	75	1000	25.12

GE-KT5-IBF-A100

Flexible Inside bend
 İç bükey elemanı
 Внутри изгиб



Part No	T	W	A	L	Kg
GE-KT5-IBF-10-A100	1.5	100	100	500	2.59
GE-KT5-IBF-15-A100	1.5	150	100	500	3.16
GE-KT5-IBF-20-A100	1.5	200	100	750	5.02
GE-KT5-IBF-25-A100	1.5	250	100	750	5.74
GE-KT5-IBF-30-A100	2	300	100	750	7.97
GE-KT5-IBF-40-A100	2	400	100	750	10.32
GE-KT5-IBF-50-A100	2	500	100	750	12.22
GE-KT5-IBF-60-A100	2	600	100	1000	18.36
GE-KT5-IBF-75-A100	2	750	100	1000	22.11
GE-KT5-IBF-90-A100	2	900	100	1000	25.60

Connection to be made with splice plates.
 Please specify radius when ordering.

Birleştirme için GE-EK kullanılır.
 Siparişte radyusu belirtiniz

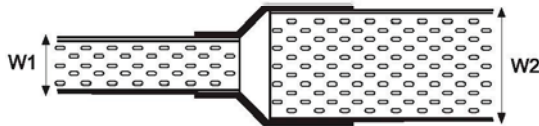
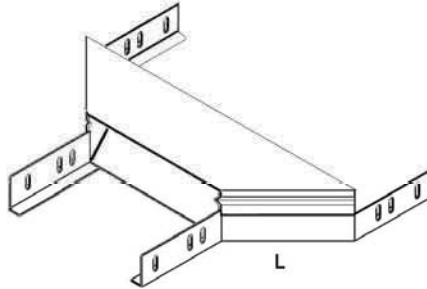
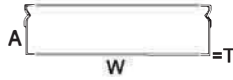
Соединение будет с сращивание пластин.
 Укажите радиус при заказе.

Material options: Stainless steel AISI 304 (L) (A2) / AISI 316 (L) (A4), ST-37-42 Mild Steel, Corten A, Pregalvanized steel, Aluminum
 Finish options : Hot Dip Galvanized to EN 1461, Electrogalvanized to TS 149, Electrostatic Paint Coated, Prime coated
 See material & finish option charts for available product specific selections.

Cable Trays

GE-KT5-R-A50

Straight reducer
 Redüksiyon
 Редукции

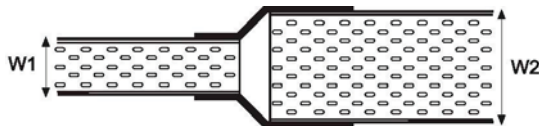
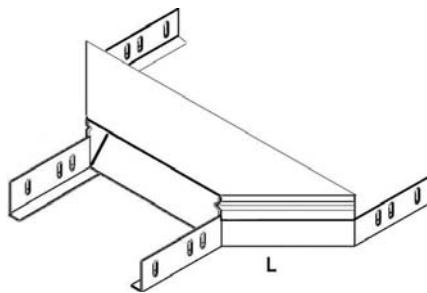
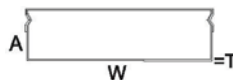


Part No	T	W1 - W2	A	L	Kg
GE-KT5-R-10-20-A50	1.5	100 - 200	50	300	0.80
GE-KT5-R-10-30-A50	1.5	100 - 300	50	340	1.25
GE-KT5-R-10-40-A50	1.5	100 - 400	50	400	2.00
GE-KT5-R-10-50-A50	1.5	100 - 500	50	440	2.65
GE-KT5-R-10-60-A50	1.5	100 - 600	50	490	3.55
GE-KT5-R-10-75-A50	1.5	100 - 750	50	560	5.00
GE-KT5-R-10-90-A50	1.5	100 - 900	50	650	7.05

How to order / Kodlama / Как написать при заказе
 GE-KT5 R 100 200 A50 HDG
 (Series + Product + Width1 + Width2 + Height + Finish)

GE-KT5-R-A75

Straight reducer
 Redüksiyon
 Редукции

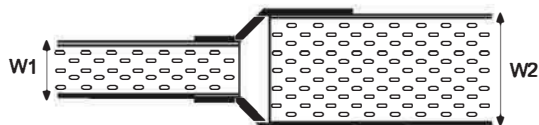
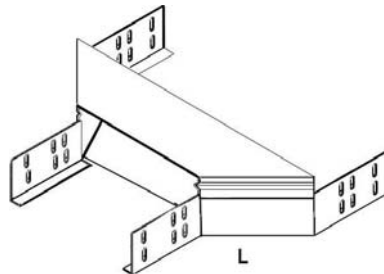
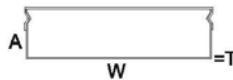


Part No	T	W1 - W2	A	L	Kg
GE-KT5-R-10-20-A75	1.5	100 - 200	75	300	0.90
GE-KT5-R-10-30-A75	1.5	100 - 300	75	340	1.40
GE-KT5-R-10-40-A75	1.5	100 - 400	75	400	2.15
GE-KT5-R-10-50-A75	1.5	100 - 500	75	440	2.85
GE-KT5-R-10-60-A75	1.5	100 - 600	75	490	3.75
GE-KT5-R-10-75-A75	1.5	100 - 750	75	560	5.30
GE-KT5-R-10-90-A75	1.5	100 - 900	75	650	7.35

How to order / Kodlama / Как написать при заказе
 GE-KT5 R 100 200 A75 HDG
 (Series + Product + Width1 + Width2 + Height + Finish)

GE-KT5-R-A100

Straight reducer
 Redüksiyon
 Редукции



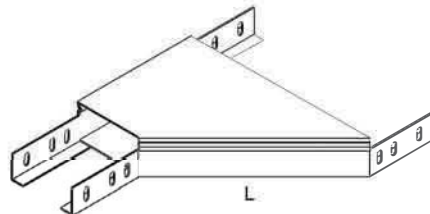
Part No	T	W1 - W2	A	L	Kg
GE-KT5-R-10-20-A100	1.5	100 - 200	100	300	1.05
GE-KT5-R-10-30-A100	1.5	100 - 300	100	340	1.55
GE-KT5-R-10-40-A100	1.5	100 - 400	100	400	2.35
GE-KT5-R-10-50-A100	1.5	100 - 500	100	440	3.05
GE-KT5-R-10-60-A100	1.5	100 - 600	100	490	4.00
GE-KT5-R-10-75-A100	1.5	100 - 750	100	560	5.55
GE-KT5-R-10-90-A100	1.5	100 - 900	100	650	7.70

How to order / Kodlama / Как написать при заказе
 GE-KT5 R 100 200 A100 HDG
 (Series + Product + Width1 + Width2 + Height + Finish)

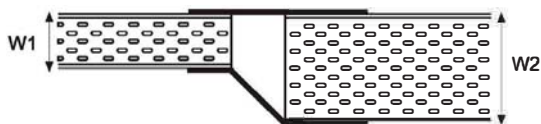
Material options: Stainless steel AISI 304 (L) (A2) / AISI 316 (L) (A4), ST-37-42 Mild Steel, Corten A, Pregalvanized steel, Aluminum
 Finish options : Hot Dip Galvanized to EN 1461, Electrogalvanized to TS 149, Electrostatic Paint Coated, Prime coated
 See material & finish option charts for available product specific selections.

Cable Trays

GE-KT5-RL-A50
 Left reducer
 Sola Redüksiyon
 Редукции

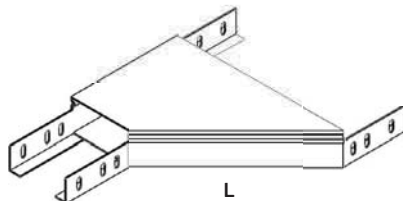


Part No	T	W1 - W2	A	L	Kg
GE-KT5-RL-10-20-A50	1.5	100 - 200	50	300	0.80
GE-KT5-RL-10-30-A50	1.5	100 - 300	50	340	1.35
GE-KT5-RL-10-40-A50	1.5	100 - 400	50	400	2.20
GE-KT5-RL-10-50-A50	1.5	100 - 500	50	440	3.05
GE-KT5-RL-10-60-A50	1.5	100 - 600	50	490	4.15
GE-KT5-RL-10-75-A50	1.5	100 - 750	50	560	6.10
GE-KT5-RL-10-90-A50	1.5	100 - 900	50	650	8.80

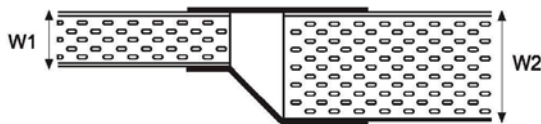


How to order / Kodlama / Как написать при заказе
 GE-KT5 RL 100 200 A50 HDG
 (Series + Product + Width1 + Width2 + Height + Finish)

GE-KT5-RL-A75
 Left reducer
 Sola Redüksiyon
 Редукции

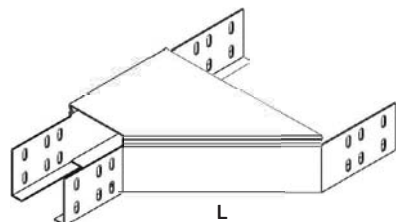
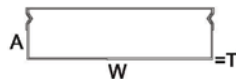


Part No	T	W1 - W2	A	L	Kg
GE-KT5-RL-10-20-A75	1.5	100 - 200	75	300	0.95
GE-KT5-RL-10-30-A75	1.5	100 - 300	75	340	1.45
GE-KT5-RL-10-40-A75	1.5	100 - 400	75	400	2.35
GE-KT5-RL-10-50-A75	1.5	100 - 500	75	440	3.25
GE-KT5-RL-10-60-A75	1.5	100 - 600	75	490	4.40
GE-KT5-RL-10-75-A75	1.5	100 - 750	75	560	6.35
GE-KT5-RL-10-90-A75	1.5	100 - 900	75	650	9.10

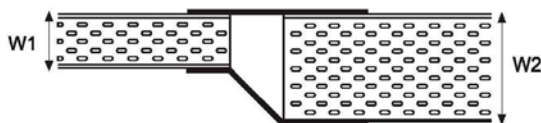


How to order / Kodlama / Как написать при заказе
 GE-KT5 RL 100 200 A75 HDG
 (Series + Product + Width1 + Width2 + Height + Finish)

GE-KT5-RL-A100
 Left reducer
 Sola Redüksiyon
 Редукции



Part No	T	W1 - W2	A	L	Kg
GE-KT5-RL-10-20-A100	1.5	100 - 200	100	300	1.05
GE-KT5-RL-10-30-A100	1.5	100 - 300	100	340	1.60
GE-KT5-RL-10-40-A100	1.5	100 - 400	100	400	2.55
GE-KT5-RL-10-50-A100	1.5	100 - 500	100	440	3.40
GE-KT5-RL-10-60-A100	1.5	100 - 600	100	490	4.60
GE-KT5-RL-10-75-A100	1.5	100 - 750	100	560	6.60
GE-KT5-RL-10-90-A100	1.5	100 - 900	100	650	9.40



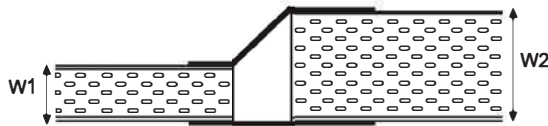
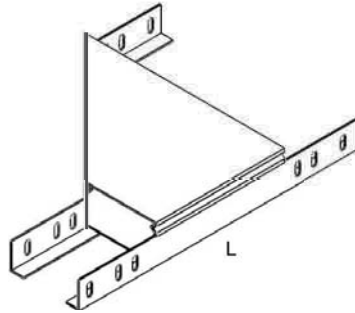
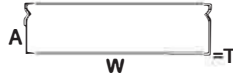
How to order / Kodlama / Как написать при заказе
 GE-KT5 RL 100 200 A100 HDG
 (Series + Product + Width1 + Width2 + Height + Finish)

Material options: Stainless steel AISI 304 (L) (A2) / AISI 316 (L) (A4), ST-37-42 Mild Steel, Corten A, Pregalvanized steel, Aluminum
 Finish options : Hot Dip Galvanized to EN 1461, Electro galvanized to TS 149, Electrostatic Paint Coated, Prime coated
 See material & finish option charts for available product specific selections.

Cable Trays

GE-KT5-RR-A50

Right reducer
 Sağa Redüksiyon
 Редукции

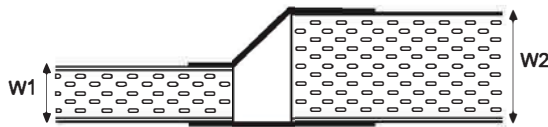
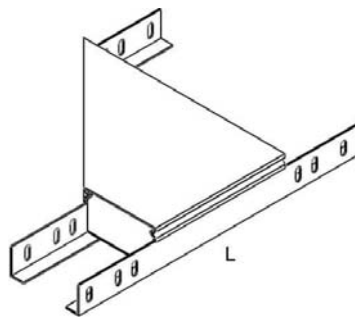
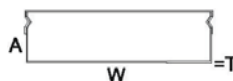


Part No	T	W1 - W2	A	L	Kg
GE-KT5-RR-10-20-A50	1.5	100 - 200	50	300	0.80
GE-KT5-RR-10-30-A50	1.5	100 - 300	50	340	1.35
GE-KT5-RR-10-40-A50	1.5	100 - 400	50	400	2.20
GE-KT5-RR-10-50-A50	1.5	100 - 500	50	440	3.05
GE-KT5-RR-10-60-A50	1.5	100 - 600	50	490	4.15
GE-KT5-RR-10-75-A50	1.5	100 - 750	50	560	6.10
GE-KT5-RR-10-90-A50	1.5	100 - 900	50	650	8.80

How to order / Kodlama / Как написать при заказе
 GE-KT5 RR 100 200 A50 HDG
 (Series + Product + Width1 + Width2 + Height + Finish)

GE-KT5-RR-A75

Right reducer
 Sağa Redüksiyon
 Редукции

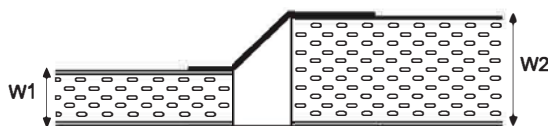
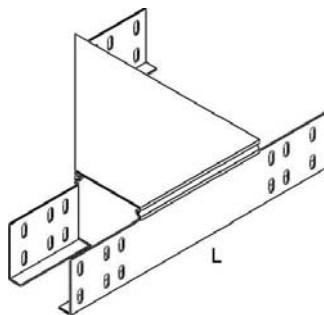
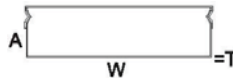


Part No	T	W1 - W2	A	L	Kg
GE-KT5-RR-10-20-A75	1.5	100 - 200	75	300	0.95
GE-KT5-RR-10-30-A75	1.5	100 - 300	75	340	1.45
GE-KT5-RR-10-40-A75	1.5	100 - 400	75	400	2.35
GE-KT5-RR-10-50-A75	1.5	100 - 500	75	440	3.25
GE-KT5-RR-10-60-A75	1.5	100 - 600	75	490	4.40
GE-KT5-RR-10-75-A75	1.5	100 - 750	75	560	6.35
GE-KT5-RR-10-90-A75	1.5	100 - 900	75	650	9.10

How to order / Kodlama / Как написать при заказе
 GE-KT5 RR 100 200 A75 HDG
 (Series + Product + Width1 + Width2 + Height + Finish)

GE-KT5-RR-A100

Right reducer
 Sağa Redüksiyon
 Редукции



Part No	T	W1 - W2	A	L	Kg
GE-KT5-RR-10-20-A100	1.5	100 - 200	100	300	1.05
GE-KT5-RR-10-30-A100	1.5	100 - 300	100	340	1.60
GE-KT5-RR-10-40-A100	1.5	100 - 400	100	400	2.55
GE-KT5-RR-10-50-A100	1.5	100 - 500	100	440	3.40
GE-KT5-RR-10-60-A100	1.5	100 - 600	100	490	4.60
GE-KT5-RR-10-75-A100	1.5	100 - 750	100	560	6.60
GE-KT5-RR-10-90-A100	1.5	100 - 900	100	650	9.40

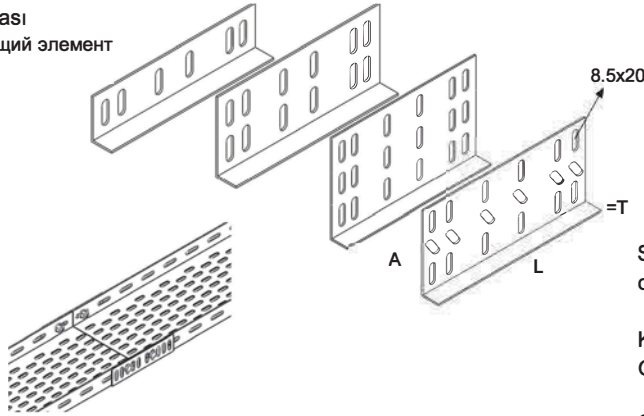
How to order / Kodlama / Как написать при заказе
 GE-KT5 RR 100 200 A100 HDG
 (Series + Product + Width1 + Width2 + Height + Finish)

Material options: Stainless steel AISI 304 (L) (A2) / AISI 316 (L) (A4), ST-37-42 Mild Steel, Corten A, Pregalvanized steel, Aluminum
 Finish options : Hot Dip Galvanized to EN 1461, Electrogalvanized to TS 149, Electrostatic Paint Coated, Prime coated
 See material & finish option charts for available product specific selections.

Cable Trays

GE-EK

Splice plate
 Ek parçası
 Связующий элемент



Part No	T	A	L	Kg
GE-EK-25	1	25	230	0.10
GE-EK-40	1.5	40	230	0.18
GE-EK-50	1.5	50	230	0.20
GE-EK-60	1.5	60	230	0.23
GE-EK-75	1.5	75	230	0.30
GE-EK-100	2	100	230	0.48
GE-EK-125	2	125	230	0.55
GE-EK-150	2	150	230	0.65

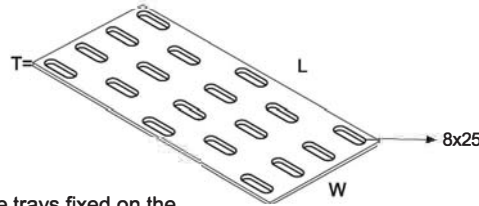
Splice plates are used to make proper connections between cable ladders and cable trays. Use with GE-KC

Kablo kanallarını /merdivenlerini birbirine bağlamak için GE-KC civata takımı ile kullanılır.

Сращивание плит используются для внесения соответствующих связей между кабель и кабельные лестницы лотков. Используйте с GE-KC

GE-FEK

Fish plate
 Taban ek parçası
 Связующий элемент



Fish plates are used to connect cable trays fixed on the bottom side which increases the safe working load of the cable trays when excessive loads are applied,

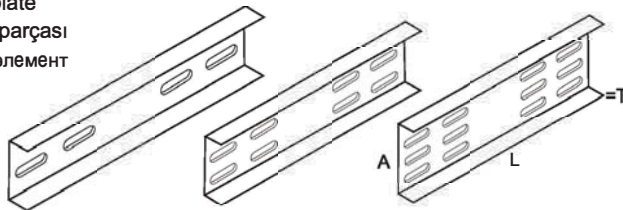
Taban ek parçası ekstra ağır yük uygulamalarında SWL'yi yükseltir.

Рыбные плиты используются для подключения кабельных лотков зафиксирована на нижней стороне, которая увеличивает безопасную рабочую нагрузку на кабельных лотков при чрезмерных нагрузок применяются.

Part No	T	W	L	Kg
GE-FEK-5	2	50	250	0.20
GE-FEK-7	2	70	250	0.28
GE-FEK-10	2	100	250	0.40
GE-FEK-12	2	120	250	0.48
GE-FEK-15	2	150	250	0.60
GE-FEK-20	2	200	250	0.80
GE-FEK-22	2	220	250	0.88
GE-FEK-25	2	250	250	1.00
GE-FEK-30	2.5	300	250	1.50
GE-FEK-40	3	400	250	2.40
GE-FEK-45	3	450	250	2.70
GE-FEK-50	3	500	250	3.00
GE-FEK-60	3	600	250	3.60
GE-FEK-75	3	750	250	4.50
GE-FEK-90	3	900	250	5.40

GE-EXP

Expansion plate
 Mesafeli ek parçası
 Связующий элемент



Expansion joints compensate for thermal expansion or contraction on cable raceways.

Isı değişimleri sonucunda çeliğin boyunda meydana gelen +/- değişiklikleri kompanse etmek için kullanılır.

Стыков компенсироват тепловое расширение или сжатие кабелному лотков.

Part No	T	A	L	Kg
GE-EXP-25	1.5	25	250	0.22
GE-EXP-40	1.5	40	250	0.27
GE-EXP-50	1.5	50	250	0.30
GE-EXP-60	1.5	60	250	0.33
GE-EXP-70	2	70	250	0.50
GE-EXP-80	2	80	250	0.53
GE-EXP-100	2	100	250	0.62
GE-EXP-125	2	125	250	0.73
GE-EXP-150	2	150	250	0.85

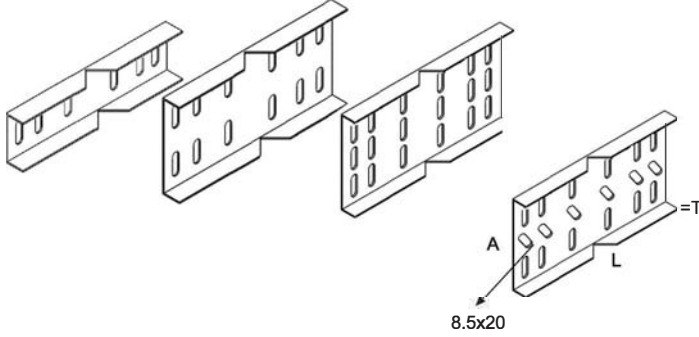
Material options: Stainless steel AISI 304 (L) (A2) / AISI 316 (L) (A4), ST-37-42 Mild Steel, Corten A, Pregalvanized steel, Aluminum
 Finish options : Hot Dip Galvanized to EN 1461, Electrogalvanized to TS 149, Electrostatic Paint Coated, Prime coated
 See material & finish option charts for available product specific selections.

- EN** Cable trays
- FR** Chemin de câbles
- D** Kabelrinnen
- RU** КАБЕЛЬНЫЕ ЛОТКИ
- TR** Kablo kanalları

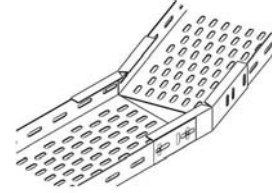
Cable Trays

GE-YDE

Horizontal adjustable connector
 Yön deđiřtirme elemanı
 Связующий элемент

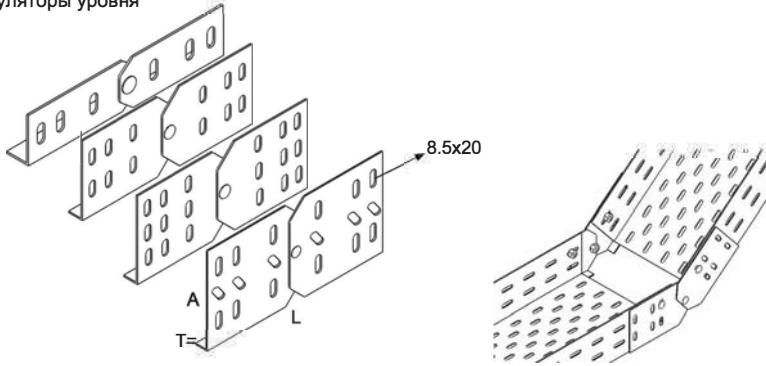


Part No	T	A	L	Kg
GE-YDE-25	1	25	240	0.13
GE-YDE-40	1.5	40	240	0.22
GE-YDE-50	1.5	50	240	0.25
GE-YDE-60	1.5	60	240	0.28
GE-YDE-70	1.5	70	240	0.31
GE-YDE-80	1.5	80	240	0.34
GE-YDE-100	2	100	240	0.52
GE-YDE-125	2	125	240	0.62
GE-YDE-150	2	150	240	0.71



GE-SDE

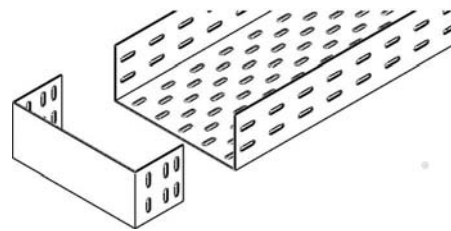
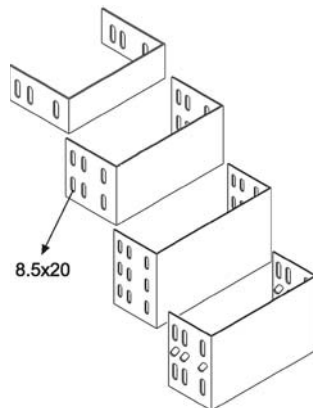
Hinge connector
 Seviye deđiřtirme elemanı
 Регуляторы уровня



Part No	T	A	L	Kg
GE-SDE-25	1	25	300	0.13
GE-SDE-40	1.5	40	300	0.25
GE-SDE-50	1.5	50	300	0.29
GE-SDE-60	1.5	60	300	0.33
GE-SDE-70	1.5	70	300	0.38
GE-SDE-80	1.5	80	300	0.43
GE-SDE-100	2	100	300	0.68
GE-SDE-125	2	125	300	0.80
GE-SDE-150	2	150	300	0.95

GE-SON

End plate
 Sonlandırma elemanı
 Связующий элемент



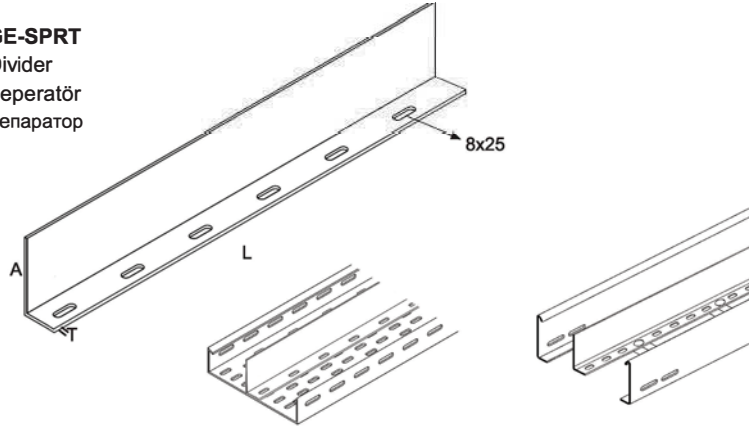
How to order / Kodlama / Как написать при заказе

GE- SON 25 A100 HDG
 (Product + Width1 + Height + Finish)

Material options: Stainless steel AISI 304 (L) (A2) / AISI 316 (L) (A4), ST-37-42 Mild Steel, Corten A, Pregalvanized steel, Aluminum
 Finish options : Hot Dip Galvanized to EN 1461, Electrogalvanized to TS 149, Electrostatic Paint Coated, Prime coated
 See material & finish option charts for available product specific selections.

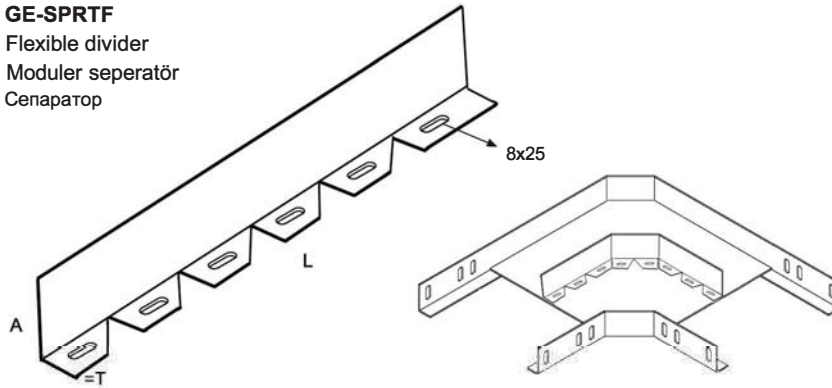
Cable Trays

GE-SPRT
 Divider
 Seperatör
 Сепаратор



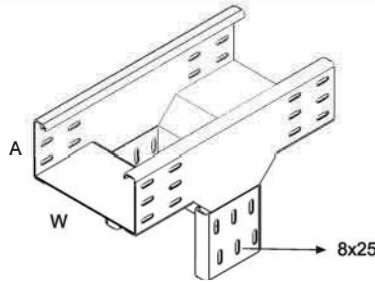
Part No	T	A	L	Kg/m
GE-SPRT-25	1	25	240	0.40
GE-SPRT-40	1.5	40	240	0.78
GE-SPRT-50	1.5	50	240	0.90
GE-SPRT-60	1.5	60	240	1.00
GE-SPRT-70	1.5	70	240	1.15
GE-SPRT-80	1.5	80	240	1.26
GE-SPRT-100	2	100	240	2.00
GE-SPRT-125	2	125	240	2.40
GE-SPRT-150	2	150	240	2.80

GE-SPRTF
 Flexible divider
 Moduler seperatör
 Сепаратор



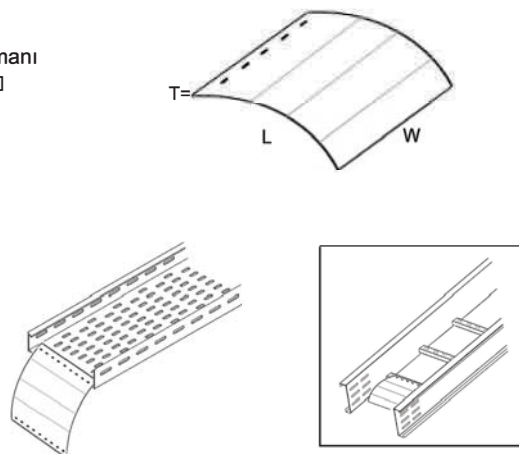
Part No	T	A	L	Kg/m
GE-SPRTF-25	1	25	240	0.35
GE-SPRTF-40	1.5	40	240	0.75
GE-SPRTF-50	1.5	50	240	0.85
GE-SPRTF-60	1.5	60	240	0.95
GE-SPRTF-70	1.5	70	240	1.10
GE-SPRTF-80	1.5	80	240	1.20
GE-SPRTF-100	2	100	240	1.95
GE-SPRTF-125	2	125	240	2.35
GE-SPRTF-150	2	150	240	2.75

GE-DIE
 Vertical tee
 Dikey iniş elemanı
 Вертикальный разъем



Part No	T	W	A	L
GE-DIE-10	1,00	100	A+120	350
GE-DIE-16	1,20	160	A+120	400
GE-DIE-20	1,50	200	A+120	450
GE-DIE-26	1,50	260	A+120	500
GE-DIE-30	1,50	300	A+120	550
GE-DIE-40	2,00	400	A+200	650
GE-DIE-50	2,00	500	A+200	750
GE-DIE-60	2,00	600	A+200	850

GE-DRP
 Drop-out plate
 Kablo çıkış elemanı
 Кабельный выбит



Part No	T	W	L	Kg
GE-DRP-10	1,5	100	500	0.66
GE-DRP-15	1,5	150	500	0.99
GE-DRP-20	1,5	200	500	1.30
GE-DRP-25	1,5	250	500	1.65
GE-DRP-30	1,5	300	500	2.00
GE-DRP-40	1,5	400	500	2.70
GE-DRP-45	1,5	450	700	4.20
GE-DRP-60	1,5	600	700	6.00
GE-DRP-75	1,5	750	700	6.90
GE-DRP-90	1,5	900	700	8.40

Drop out plates provide a simple and smooth way for the cables to enter and leave the cable tray.

Kabloların kanal üzerinden rahat çıkışını sağlar.
 Tüm merdiven ölçülerinde mevcuttur.

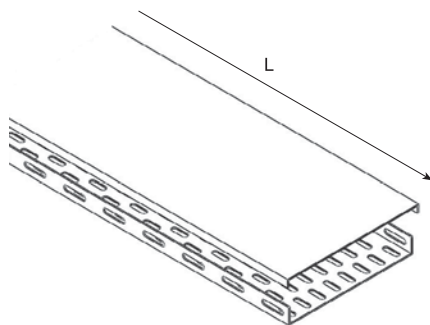
GE-DRP плит обеспечивает простой и гладкий путь для кабеля въезда и выезда из кабельных лотков.
 GE-DRP доступна для любой ширины кабельных лотков.

Material options: Stainless steel AISI 304 (L) (A2) / AISI 316 (L) (A4), ST-37-42 Mild Steel, Corten A, Pregalvanized steel, Aluminum
 Finish options : Hot Dip Galvanized to EN 1461, Electro galvanized to TS 149, Electrostatic Paint Coated, Prime coated
 See material & finish option charts for available product specific selections.

Cable Trays

GE-KTK1

Solid cover for cable tray/ ladder
 Standart kablo kanalı/merdiveni kapağı
 Крышка стандартная для кабельных
 Лестничных лотков

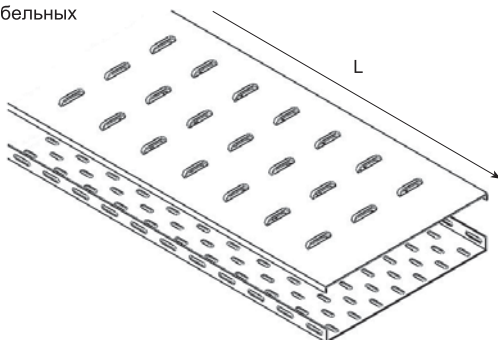


Part No	T	W	A	L	Kg/m
GE-KTK1-5	1	50	12	3000	0.56
GE-KTK1-10	1	100	12	3000	1.10
GE-KTK1-15	1	150	12	3000	1.50
GE-KTK1-20	1	200	12	3000	2.00
GE-KTK1-25	1	250	12	3000	2.40
GE-KTK1-30	1	300	12	3000	2.80
GE-KTK1-40	1.2	400	12	3000	4.50
GE-KTK1-45	1.2	450	12	3000	5.00
GE-KTK1-50	1.2	500	12	3000	5.60
GE-KTK1-60	1.5	600	12	3000	8.20
GE-KTK1-75	1.5	750	12	3000	10.20
GE-KTK1-90	1.5	900	12	3000	12.15

Custom production available upon request.
 İsteğe göre diğer ölçülerde üretim yapılır.
 Возможно изготовление продукции на заказ.

GE-KTK2

Louvered cover for cable tray/ ladder
 Pencereleli kablo kanalı/merdiveni kapağı
 Крышка с отверстиями для кабельных
 Лестничных лотков

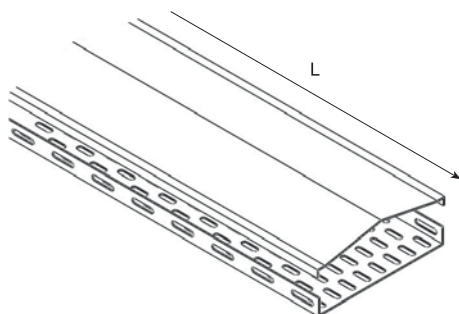


Part No	T	W	A	L	Kg/m
GE-KTK2-5	1	50	12	3000	0.56
GE-KTK2-10	1	100	12	3000	1.10
GE-KTK2-15	1	150	12	3000	1.50
GE-KTK2-20	1	200	12	3000	2.00
GE-KTK2-25	1	250	12	3000	2.40
GE-KTK2-30	1	300	12	3000	2.80
GE-KTK2-40	1.2	400	12	3000	4.50
GE-KTK2-45	1.2	450	12	3000	5.00
GE-KTK2-50	1.2	500	12	3000	5.60
GE-KTK2-60	1.5	600	12	3000	8.20
GE-KTK2-75	1.5	750	12	3000	10.20
GE-KTK2-90	1.5	900	12	3000	12.15

Custom production available upon request.
 İsteğe göre diğer ölçülerde üretim yapılır.
 Возможно изготовление продукции на заказ.

GE-KTK3

Peaked Cover For Cable Tray/ Ladder
 Çatılı Tip Kapak
 Остроконечная крышка для кабельных
 лестничных лотков



Part No	T	W	A	L	Kg/m
GE-KTK3-5	1	50	12	3000	0.65
GE-KTK3-10	1	100	12	3000	1.30
GE-KTK3-15	1	150	12	3000	1.80
GE-KTK3-20	1	200	12	3000	2.40
GE-KTK3-25	1	250	12	3000	2.90
GE-KTK3-30	1	300	12	3000	3.00
GE-KTK3-40	1.2	400	12	3000	4.80
GE-KTK3-45	1.2	450	12	3000	5.50
GE-KTK3-50	1.2	500	12	3000	6.00
GE-KTK3-60	1.5	600	12	3000	8.50
GE-KTK3-75	1.5	750	12	3000	10.50
GE-KTK3-90	1.5	900	12	3000	12.60

Custom production available upon request.
 İsteğe göre diğer ölçülerde üretim yapılır.
 Возможно изготовление продукции на заказ.

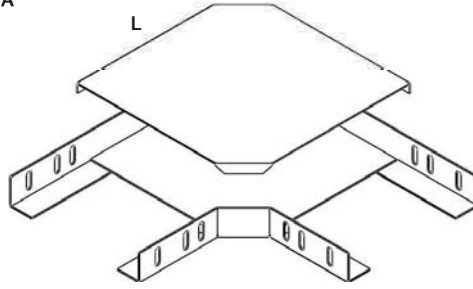
Material options: Stainless steel AISI 304 (L) (A2) / AISI 316 (L) (A4), ST-37-42 Mild Steel, Corten A, Pregalvanized steel, Aluminum
 Finish options : Hot Dip Galvanized to EN 1461, Electroalvanized to TS 149, Electrostatic Paint Coated, Prime coated
 See material & finish option charts for available product specific selections.

Cable Trays

GE-DK

Cover for flat bend
 Yatay dönüş kapağı

Крышка горизонтального лотка



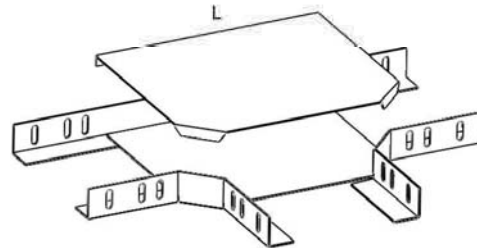
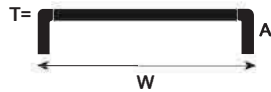
Part No	T	W	A	L	Kg
GE-DK-10	1	100	12	145	0.21
GE-DK-15	1	150	12	195	0.37
GE-DK-20	1	200	12	245	0.57
GE-DK-25	1	250	12	295	0.82
GE-DK-30	1	300	12	345	1.10
GE-DK-40	1.2	400	12	445	2.20
GE-DK-45	1.2	450	12	495	2.70
GE-DK-50	1.2	500	12	545	3.25
GE-DK-60	1.5	600	12	645	5.70
GE-DK-75	1.5	750	12	795	8.55
GE-DK-90	1.5	900	12	945	12.00

Custom production available upon request.
 İsteğe göre diğer ölçülerde üretim yapılır.
 Возможно изготовление продукции на заказ.

GE-TK

Cover for tee
 T kapağı

Крышка т-образного разветвления



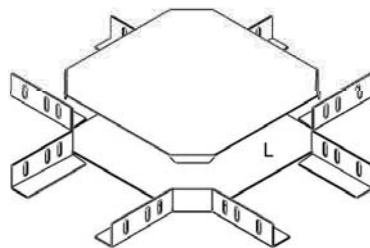
Part No	T	W	A	L	Kg/m
GE-TK-10	1	100	12	180	0.25
GE-TK-15	1	150	12	230	0.41
GE-TK-20	1	200	12	280	0.63
GE-TK-25	1	250	12	330	0.89
GE-TK-30	1	300	12	380	1.20
GE-TK-40	1.2	400	12	480	2.30
GE-TK-45	1.2	450	12	530	2.80
GE-TK-50	1.2	500	12	580	3.40
GE-TK-60	1.5	600	12	680	5.90
GE-TK-75	1.5	750	12	830	8.82
GE-TK-90	1.5	900	12	980	12.35

Custom production available upon request.
 İsteğe göre diğer ölçülerde üretim yapılır.
 Возможно изготовление продукции на заказ.

GE-DBK

Cover for crossing
 Dörtlü bağlantı kapağı

Крышка крестообразной секции



Part No	T	W	A	L	Kg
GE-DBK-10	1	100	12	180	0.29
GE-DBK-15	1	150	12	230	0.47
GE-DBK-20	1	200	12	280	0.69
GE-DBK-25	1	250	12	330	0.96
GE-DBK-30	1	300	12	380	1.27
GE-DBK-40	1.2	400	12	480	2.40
GE-DBK-45	1.2	450	12	530	3.00
GE-DBK-50	1.2	500	12	580	3.60
GE-DBK-60	1.5	600	12	680	6.10
GE-DBK-75	1.5	750	12	830	9.10
GE-DBK-90	1.5	900	12	980	12.70

Custom production available upon request.
 İsteğe göre diğer ölçülerde üretim yapılır.
 Возможно изготовление продукции на заказ.

Material options: Stainless steel AISI 304 (L) (A2) / AISI 316 (L) (A4), ST-37-42 Mild Steel, Corten A, Pregalvanized steel, Aluminum
 Finish options : Hot Dip Galvanized to EN 1461, Electrogalvanized to TS 149, Electrostatic Paint Coated, Prime coated
 See material & finish option charts for available product specific selections.

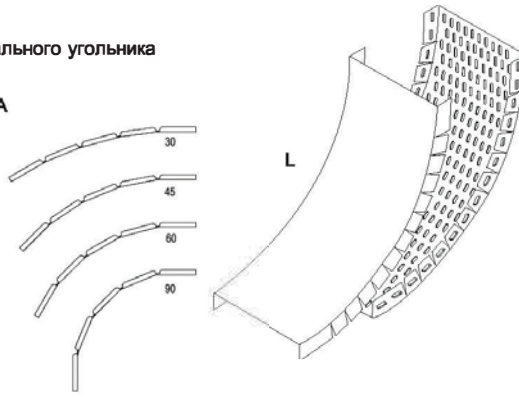
Cable Trays

GE-IBFK

Cover for inside bend, flexible

İç bükme kapağı

Крышка внутреннего вертикального угольника



Part No	T	W	A	L	Kg
GE-IBFK-10	1	100	12	540	0.73
GE-IBFK-15	1	150	12	540	1.00
GE-IBFK-20	1	200	12	540	1.32
GE-IBFK-25	1	250	12	540	1.60
GE-IBFK-30	1	300	12	540	1.85
GE-IBFK-40	1.2	400	12	540	3.00
GE-IBFK-45	1.2	450	12	540	3.30
GE-IBFK-50	1.2	500	12	540	3.70
GE-IBFK-60	1.5	600	12	540	5.40
GE-IBFK-75	1.5	750	12	540	6.75
GE-IBFK-90	1.5	900	12	540	8.00

Custom production available upon request.

İsteğe göre diğer ölçülerde üretim yapılır.

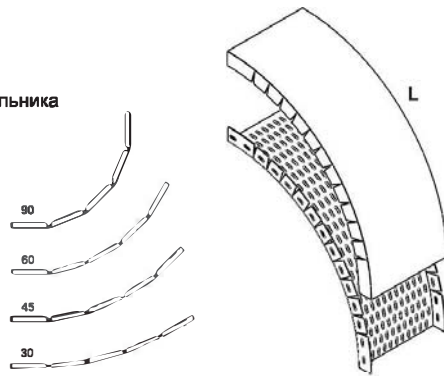
Возможно изготовление продукции на заказ.

GE-OBFK

Cover for outside bend, flexible

Dış bükme kapağı

Крышка внешнего вертикального угольника



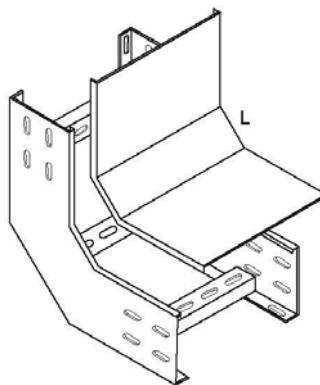
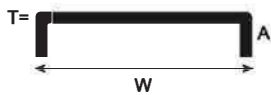
Part No	T	W	A	L	Kg/m
GE-OBFK-10	1	100	12	540	0.73
GE-OBFK-15	1	150	12	540	1.00
GE-OBFK-20	1	200	12	540	1.32
GE-OBFK-25	1	250	12	540	1.60
GE-OBFK-30	1	300	12	540	1.85
GE-OBFK-40	1.2	400	12	540	3.00
GE-OBFK-45	1.2	450	12	540	3.30
GE-OBFK-50	1.2	500	12	540	3.70
GE-OBFK-60	1.5	600	12	540	5.40
GE-OBFK-75	1.5	750	12	540	6.75
GE-OBFK-90	1.5	900	12	540	8.00

GE-IBK

Cover for inside bend

İç bükme kapağı

Крышка внутреннего вертикального угольника



Part No	T	W	A	L	Kg
GE-IBK-10	1	100	12	540	0.73
GE-IBK-15	1	150	12	540	1.00
GE-IBK-20	1	200	12	540	1.32
GE-IBK-25	1	250	12	540	1.60
GE-IBK-30	1	300	12	540	1.85
GE-IBK-40	1.2	400	12	540	3.00
GE-IBK-45	1.2	450	12	540	3.30
GE-IBK-50	1.2	500	12	540	3.70
GE-IBK-60	1.5	600	12	540	5.40
GE-IBK-75	1.5	750	12	540	6.75
GE-IBK-90	1.5	900	12	540	8.00

Custom production available upon request.

İsteğe göre diğer ölçülerde üretim yapılır.

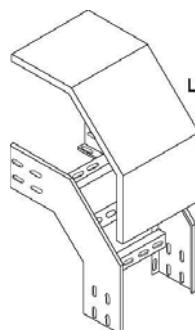
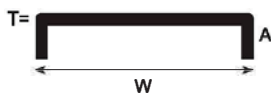
Возможно изготовление продукции на заказ.

GE-OBK

Cover for outside bend,

Dış bükme kapağı

Крышка внешнего вертикального угольника



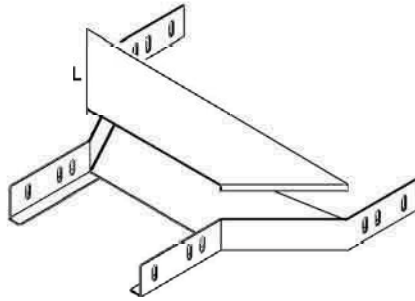
Part No	T	W	A	L	Kg
GE-OBK-10	1	100	12	540	0.73
GE-OBK-15	1	150	12	540	1.00
GE-OBK-20	1	200	12	540	1.32
GE-OBK-25	1	250	12	540	1.60
GE-OBK-30	1	300	12	540	1.85
GE-OBK-40	1.2	400	12	540	3.00
GE-OBK-45	1.2	450	12	540	3.30
GE-OBK-50	1.2	500	12	540	3.70
GE-OBK-60	1.5	600	12	540	5.40
GE-OBK-75	1.5	750	12	540	6.75
GE-OBK-90	1.5	900	12	540	8.00

Material options: Stainless steel AISI 304 (L) (A2) / AISI 316 (L) (A4), ST-37-42 Mild Steel, Corten A, Pregalvanized steel, Aluminum
 Finish options : Hot Dip Galvanized to EN 1461, Electrogalvanized to TS 149, Electrostatic Paint Coated, Prime coated
 See material & finish option charts for available product specific selections.

Cable Trays

GE-RK

Reducer cover
 Redüksiyon kapağı
 Крышка редуктора

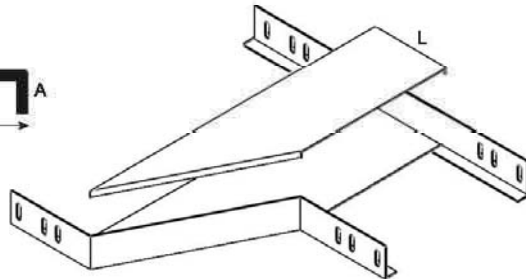


Part No	T	W	A	L	kg
GE-RK-10-20	1	100 - 200	12	70	0.15
GE-RK-10-30	1	100 - 300	12	110	0.25
GE-RK-10-40	1.2	100 - 400	12	170	0.50
GE-RK-10-50	1.2	100 - 500	12	210	0.75
GE-RK-10-60	1.5	100 - 600	12	260	1.10
GE-RK-10-75	1.5	100 - 750	12	330	1.70
GE-RK-10-90	1.5	100 - 900	12	420	2.55

Custom production available upon request.
 İsteğe göre diğer ölçülerde üretim yapılır.
 Возможно изготовление продукции на заказ.

GE-RRK

Right reducer cover
 Sağa redüksiyon kapağı
 Крышка редуктора

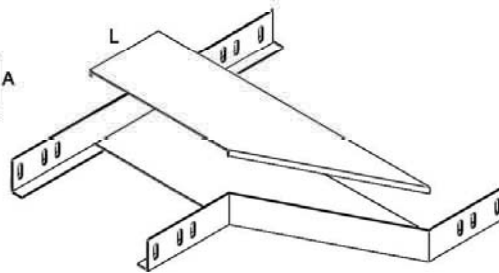


Part No	T	W	A	L	kg
GE-RRK-10-20	1	100 - 200	12	70	0.15
GE-RRK-10-30	1	100 - 300	12	110	0.35
GE-RRK-10-40	1.2	100 - 400	12	170	0.70
GE-RRK-10-50	1.2	100 - 500	12	210	1.00
GE-RRK-10-60	1.5	100 - 600	12	260	1.50
GE-RRK-10-75	1.5	100 - 750	12	330	2.35
GE-RRK-10-90	1.5	100 - 900	12	420	3.55

Custom production available upon request.
 İsteğe göre diğer ölçülerde üretim yapılır.
 Возможно изготовление продукции на заказ.

GE-RLK

Left reducer cover
 Sola redüksiyon kapağı
 Крышка редуктора



Part No	T	W	A	L	kg
GE-RLK-10-20	1	100 - 200	12	70	0.15
GE-RLK-10-30	1	100 - 300	12	110	0.35
GE-RLK-10-40	1.2	100 - 400	12	170	0.70
GE-RLK-10-50	1.2	100 - 500	12	210	1.00
GE-RLK-10-60	1.5	100 - 600	12	260	1.50
GE-RLK-10-75	1.5	100 - 750	12	330	2.35
GE-RLK-10-90	1.5	100 - 900	12	420	3.55

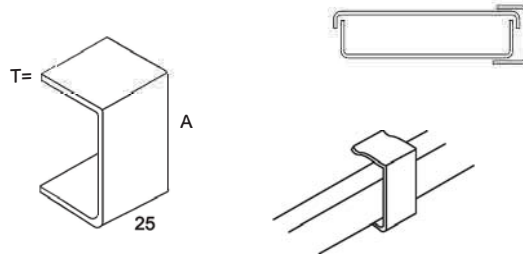
Custom production available upon request.
 İsteğe göre diğer ölçülerde üretim yapılır.
 Возможно изготовление продукции на заказ.

Material options: Stainless steel AISI 304 (L) (A2) / AISI 316 (L) (A4), ST-37-42 Mild Steel, Corten A, Pregalvanized steel, Aluminum
 Finish options : Hot Dip Galvanized to EN 1461, Electrogalvanized to TS 149, Electrostatic Paint Coated, Prime coated
 See material & finish option charts for available product specific selections.

Cable Trays

GE-KTKT1

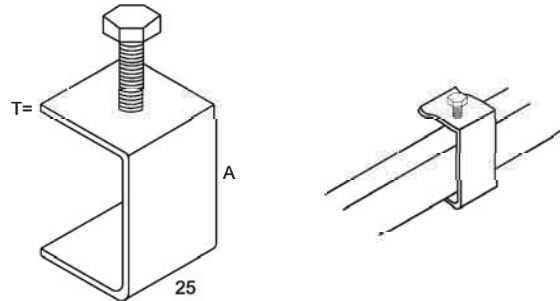
Slide-in cover clamp
 Geçmeli tip kapak kelepçesi
 Скоба для крышки



Part No	T	A	Kg
GE-KTKT1-25	1.5	25	0.026
GE-KTKT1-40	1.5	40	0.032
GE-KTKT1-50	1.5	50	0.035
GE-KTKT1-60	1.5	60	0.039
GE-KTKT1-70	1.5	70	0.042
GE-KTKT1-80	2	80	0.060
GE-KTKT1-100	2	100	0.070
GE-KTKT1-125	2	125	0.080
GE-KTKT1-150	2	150	0.090

GE-KTKT2

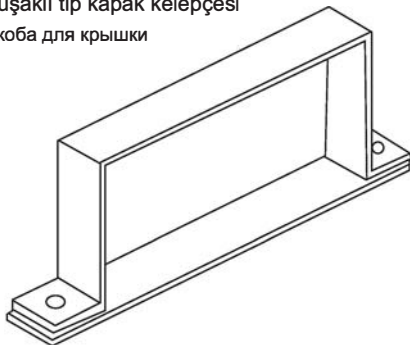
Bolted type cover clamp
 Civatalı tip kapak kelepçesi
 Скоба для крышки



Part No	T	A	Kg
GE-KTKT2-25	2	25	0.050
GE-KTKT2-40	2	40	0.060
GE-KTKT2-50	2	50	0.070
GE-KTKT2-60	2	60	0.080
GE-KTKT2-70	2	70	0.090
GE-KTKT2-80	2	80	0.110
GE-KTKT2-100	2	100	0.120
GE-KTKT2-125	2	125	0.130
GE-KTKT2-150	2	150	0.150

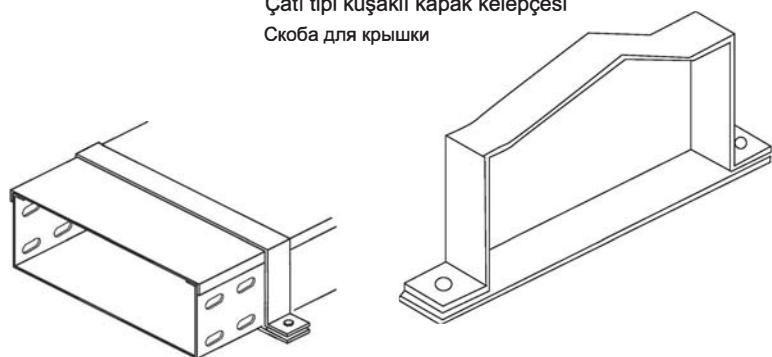
GE-KTKT3

Wrap-around cover clamp
 Kuşaklı tip kapak kelepçesi
 Скоба для крышки



GE-KTKT4

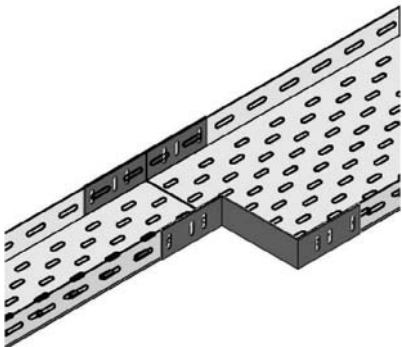
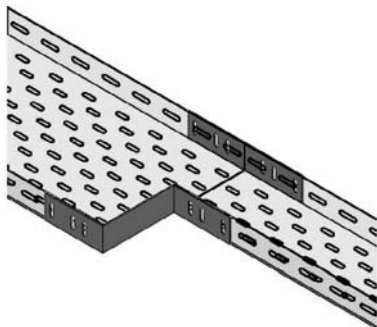
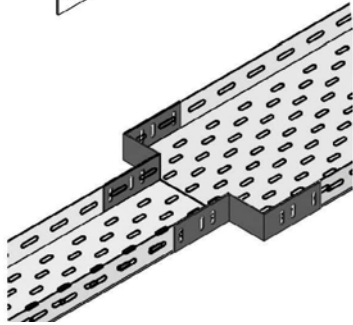
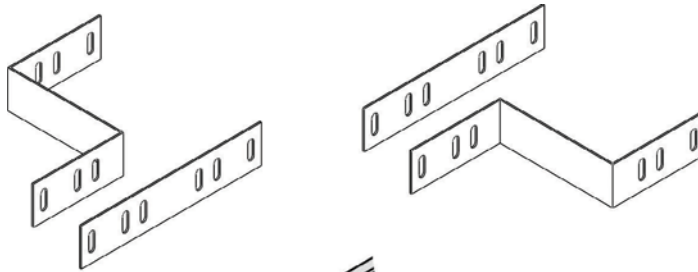
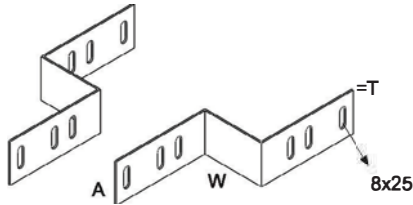
Peak type wrap-around cover clamp
 Çatı tipi kuşaklı kapak kelepçesi
 Скоба для крышки



Material options: Stainless steel AISI 304 (L) (A2) / AISI 316 (L) (A4), ST-37-42 Mild Steel, Corten A, Pregalvanized steel, Aluminum
 Finish options : Hot Dip Galvanized to EN 1461, Electrogalvanized to TS 149, Electrostatic Paint Coated, Prime coated
 See material & finish option charts for available product specific selections.

GE-REK

Abrupt reducer
 Ek tipi redüksiyon
 Редукции



Part No	T	W	A	Kg
GE-REK-5-A25	1.5	50	25	0.16
GE-REK-10-A25	1.5	100	25	0.18
GE-REK-15-A25	2.0	150	25	0.26
GE-REK-20-A25	2.0	200	25	0.29
GE-REK-30-A25	2.0	300	25	0.32
GE-REK-5-A40	1.5	50	40	0.25
GE-REK-10-A40	1.5	100	40	0.28
GE-REK-15-A40	2.0	150	40	0.40
GE-REK-20-A40	2.0	200	40	0.44
GE-REK-30-A40	2.0	300	40	0.50
GE-REK-5-A50	1.5	50	50	0.32
GE-REK-10-A50	1.5	100	50	0.35
GE-REK-15-A50	2.0	150	50	0.50
GE-REK-20-A50	2.0	200	50	0.55
GE-REK-30-A50	2.0	300	50	0.63
GE-REK-5-A60	1.5	50	60	0.38
GE-REK-10-A60	1.5	100	60	0.42
GE-REK-15-A60	2.0	150	60	0.60
GE-REK-20-A60	2.0	200	60	0.65
GE-REK-30-A60	2.0	300	60	0.75
GE-REK-5-A70	1.5	50	70	0.45
GE-REK-10-A70	1.5	100	70	0.49
GE-REK-15-A70	2.0	150	70	0.70
GE-REK-20-A70	2.0	200	70	0.76
GE-REK-30-A70	2.0	300	70	0.87
GE-REK-5-A80	1.5	50	80	0.51
GE-REK-10-A80	1.5	100	80	0.56
GE-REK-15-A80	2.0	150	80	0.80
GE-REK-20-A80	2.0	200	80	0.87
GE-REK-30-A80	2.0	300	80	1.00
GE-REK-5-A100	1.5	50	100	0.64
GE-REK-10-A100	1.5	100	100	0.70
GE-REK-15-A100	2.0	150	100	0.76
GE-REK-20-A100	2.0	200	100	1.00
GE-REK-30-A100	2.0	300	100	1.25
GE-REK-5-A100	1.5	50	125	0.80
GE-REK-10-A125	1.5	100	125	0.87
GE-REK-15-A125	2.0	150	125	1.26
GE-REK-20-A125	2.0	200	125	1.36
GE-REK-30-A125	2.0	300	125	1.56
GE-REK-5-A150	1.5	50	150	0.95
GE-REK-10-A150	1.5	100	150	1.05
GE-REK-15-A150	2.0	150	150	1.50
GE-REK-20-A150	2.0	200	150	1.65
GE-REK-30-A150	2.0	300	150	1.90



GERPAAS[®]

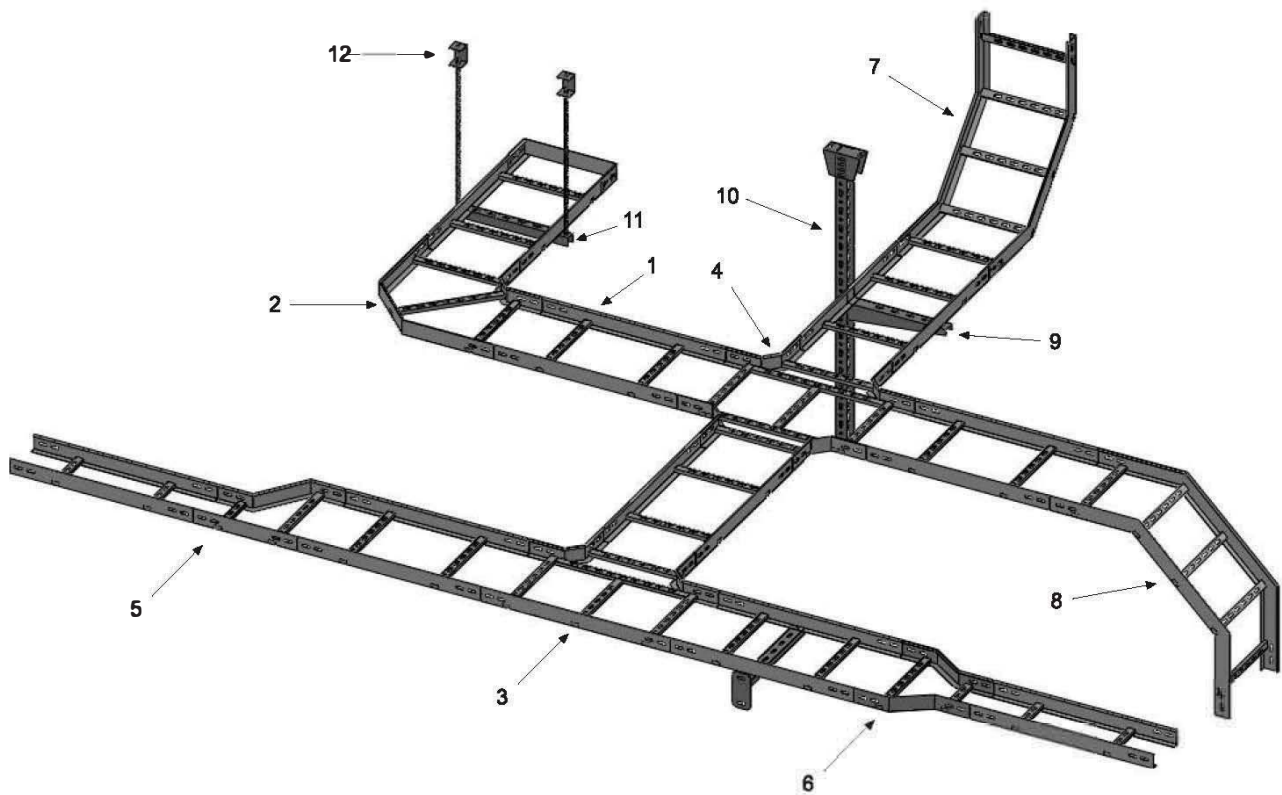
Cable ladders
Echelles à câbles
Kabelleitern
Лестничный лоток
Kablo merdivenleri

GERPAAAS[®]

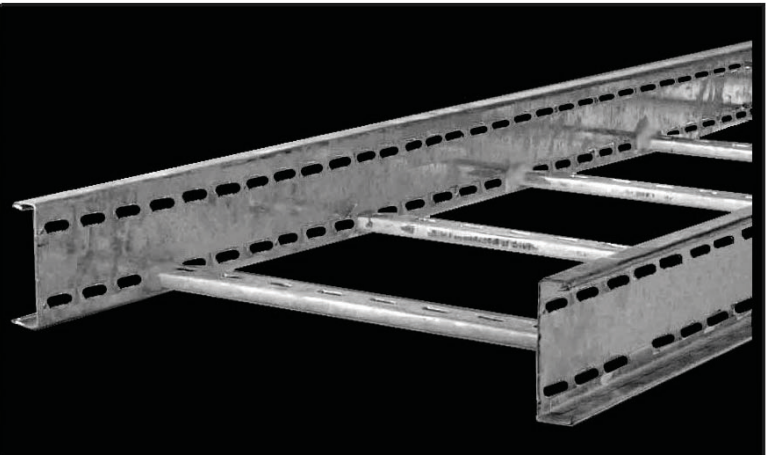
GERPAAS®

- EN** Cable Ladders
- FR** Echelles à câbles
- D** Kabelleitem
- RU** Лестничный лоток
- TR** Kablo merdivenleri

Material options: Stainless steel AISI 304 (L) (A2) / AISI 316 (L) (A4), ST-37-42 Mild Steel, Cortan A, Pregalvanized steel, Aluminum
 Finish options : Hot Dip Galvanized to EN 1461, Electrogalvanized to TS 149, Electrostatic Paint Coated, Prime coated
 See material & finish option charts for available product specific selections.



- | | |
|----------------|-----------------|
| 1)- GE-MC1 | 7)- GE-MC1-IB90 |
| 2)- GE-MC1-D90 | 8)- GE-MC1-OB90 |
| 3)- GE-MC1-T | 9)- GE-KD |
| 4)- GE-MC1-DB | 10)- GE-U |
| 5)- GE-MC1-RR | 11)- GE-AE-5U |
| 6)- GE-MC1-R | 12)- GE-AE-2 |



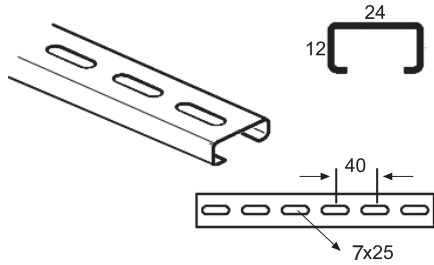
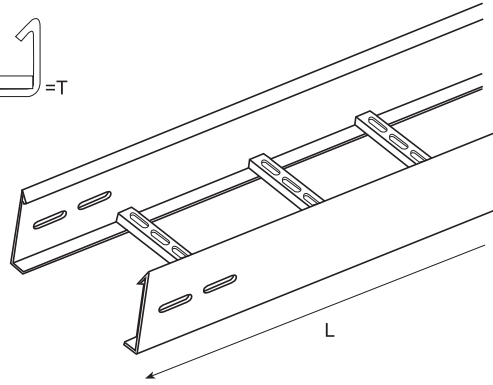
Material options: Stainless steel AISI 304 (L) (A2) / AISI 316 (L) (A4), ST-37-42 Mild Steel, Corten A, Pregalvanized steel, Aluminum
Finish options : Hot Dip Galvanized to EN 1461, Electrogalvanized to TS 149, Electrostatic Paint Coated, Prime coated
See material & finish option charts for available product specific selections.

Cable Ladders

50

GE-MC1-A50

Cable ladder, light duty
Kablo merdiveni
Легкая долг лестничный лоток

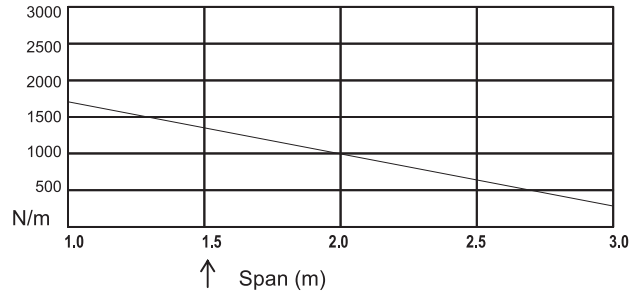


Base holes available upon request.
İstek üzerine taban delikleri ile imal edilir.
База доступна дыр по запросу.

Part No	T	W	A	L	Kg/m
GE-MC1-10-A50	1.5	100	50	3000	2.30
GE-MC1-15-A50	1.5	150	50	3000	2.40
GE-MC1-20-A50	1.5	200	50	3000	2.50
GE-MC1-25-A50	1.5	250	50	3000	2.60
GE-MC1-30-A50	1.5	300	50	3000	2.70
GE-MC1-40-A50	1.5	400	50	3000	2.90
GE-MC1-45-A50	1.5	450	50	3000	3.00
GE-MC1-50-A50	1.5	500	50	3000	3.10
GE-MC1-60-A50	1.5	600	50	3000	3.30
GE-MC1-75-A50	1.5	750	50	3000	3.60
GE-MC1-90-A50	1.5	900	50	3000	3.90

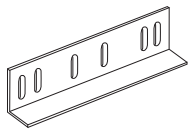
SS4 SS6 HDG EG ESB APB AL

Custom production available upon request.
İsteğe göre diğer ölçülerde üretim yapılır.
Возможно изготовление продукции на заказ.



GE-EK-50

Splice plate
Ek parçası
Связующий элемент



GE-KC

Fixing set
Kanal civata takımı
Комплект винтового соединения



GE-LCN

PVC strip
PVC conta
Резиновые прокладки



GE-LCND

PVC strip double
PVC conta, çiftli
Резиновые прокладки



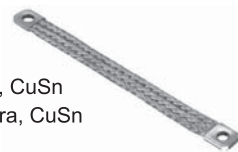
GE-SPRAY-1

Zinc spray
Çinko sprej
Спрей цинка



GE-BFEC-4

Flat flexible bar, CuSn
Yassı esnek bara, CuSn
Провод



Material options: Stainless steel AISI 304 (L) (A2) / AISI 316 (L) (A4), ST-37-42 Mild Steel, Corten A, Pregalvanized steel, Aluminum
 Finish options : Hot Dip Galvanized to EN 1461, Electrogalvanized to TS 149, Electrostatic Paint Coated, Prime coated
 See material & finish option charts for available product specific selections.

Cable Ladders

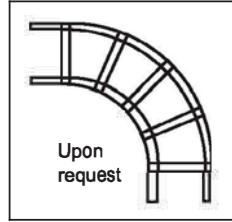
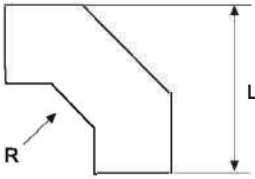
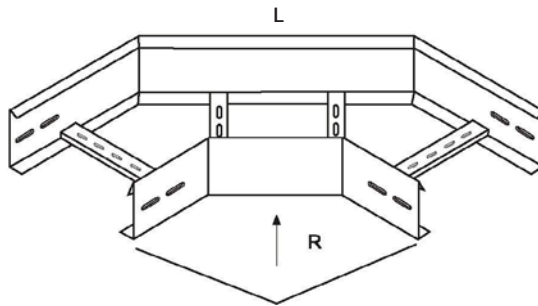
50

GE-MC1-D90-A50

90° flat bend

90° dönüş elemanı

Секция угловая горизонтальная 90°



Part No	T	W	A	L	Kg
GE-MC1-D90-10-A50	1.5	100	50	260	1.10
GE-MC1-D90-15-A50	1.5	150	50	310	1.30
GE-MC1-D90-20-A50	1.5	200	50	360	1.50
GE-MC1-D90-25-A50	1.5	250	50	410	1.70
GE-MC1-D90-30-A50	1.5	300	50	460	1.90
GE-MC1-D90-40-A50	1.5	400	50	560	2.30
GE-MC1-D90-45-A50	1.5	450	50	610	2.50
GE-MC1-D90-50-A50	1.5	500	50	660	2.70
GE-MC1-D90-60-A50	1.5	600	50	760	3.10
GE-MC1-D90-75-A50	1.5	750	50	910	3.70
GE-MC1-D90-90-A50	1.5	900	50	1060	4.30

Flat bends in 90°, 60°, 45°, 30° are available on request. 90° flat bend is supplied as standard unless the angle is specified when ordering.

90°, 60°, 45°, 30° dönüşler mevcuttur. Başka ölçü belirtilmedikçe standart 90° teslim edilir.

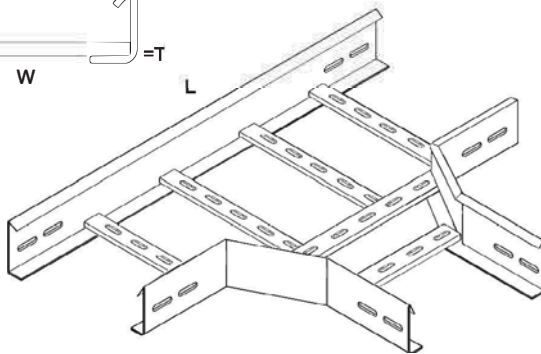
Угловые элементы могут быть изготовлены 90, 60, 45, 30. Стандартный размер 90, кроме случаев оговорённых при заказе.

GE-MC1-T-A50

Tee

T elemanı

T образное разветвление

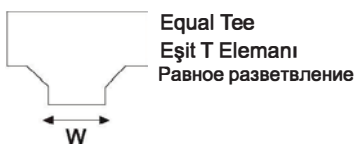


Part No	T	W	A	L	Kg
GE-MC1-T-10-A50	1.5	100	50	420	1.35
GE-MC1-T-15-A50	1.5	150	50	470	1.60
GE-MC1-T-20-A50	1.5	200	50	520	1.85
GE-MC1-T-25-A50	1.5	250	50	570	2.10
GE-MC1-T-30-A50	1.5	300	50	620	2.40
GE-MC1-T-40-A50	1.5	400	50	720	2.90
GE-MC1-T-45-A50	1.5	450	50	770	3.15
GE-MC1-T-50-A50	1.5	500	50	820	3.40
GE-MC1-T-60-A50	1.5	600	50	920	3.90
GE-MC1-T-75-A50	1.5	750	50	1070	4.65
GE-MC1-T-90-A50	1.5	900	50	1220	5.40

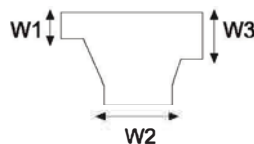
Please specify the widths of unequal tees by drawing.

Eşit olmayan T' lerde W ölçülerini siparişte belirtiniz.

Укажите размеры W неравного T-образного разветвления.



Equal Tee
Eşit T Elemanı
Равное разветвление



Unequal Tee
Eşit olmayan T Elemanı
Неравное разветвление

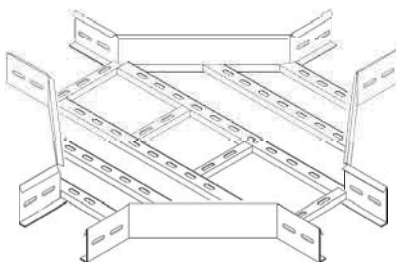
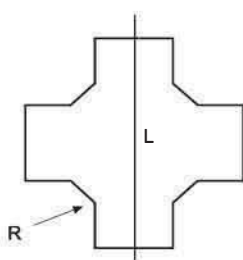
Material options: Stainless steel AISI 304 (L) (A2) / AISI 316 (L) (A4), ST-37-42 Mild Steel, Corten A, Pregalvanized steel, Aluminum
 Finish options : Hot Dip Galvanized to EN 1461, Electrogalvanized to TS 149, Electrostatic Paint Coated, Prime coated
 See material & finish option charts for available product specific selections.

Cable Ladders

50

GE-MC1-DB-A50

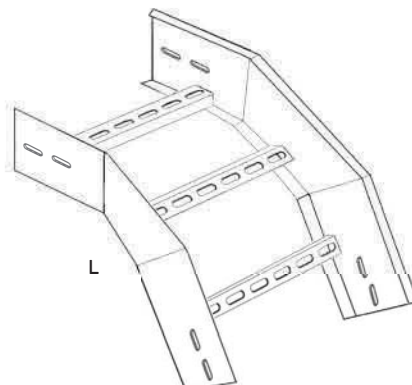
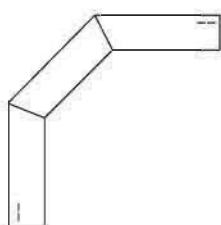
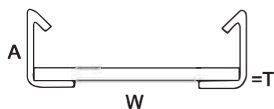
Crossing
 Dörtü Bağlantı Elemanı
 Секция крестообразная



Part No	T	W	A	L	Kg
GE-MC1-DB-10-A50	1.5	100	50	420	1.55
GE-MC1-DB-15-A50	1.5	150	50	470	1.85
GE-MC1-DB-20-A50	1.5	200	50	520	2.15
GE-MC1-DB-25-A50	1.5	250	50	570	2.45
GE-MC1-DB-30-A50	1.5	300	50	620	2.75
GE-MC1-DB-40-A50	1.5	400	50	720	3.40
GE-MC1-DB-45-A50	1.5	450	50	770	3.70
GE-MC1-DB-50-A50	1.5	500	50	820	4.00
GE-MC1-DB-60-A50	1.5	600	50	920	4.60
GE-MC1-DB-75-A50	1.5	750	50	1070	5.50
GE-MC1-DB-90-A50	1.5	900	50	1220	6.40

GE-MC1-OB90-A50

90° vertical bend, outside
 90° dış bükey elemanı
 Внешний угловой элемент 90°



Part No	T	W	A	L	Kg
GE-MC1-OB90-10-A50	1.5	100	50	540	1.80
GE-MC1-OB90-15-A50	1.5	150	50	540	1.90
GE-MC1-OB90-20-A50	1.5	200	50	540	2.00
GE-MC1-OB90-25-A50	1.5	250	50	540	2.10
GE-MC1-OB90-30-A50	1.5	300	50	540	2.20
GE-MC1-OB90-40-A50	1.5	400	50	540	2.40
GE-MC1-OB90-45-A50	1.5	450	50	540	2.50
GE-MC1-OB90-50-A50	1.5	500	50	540	2.60
GE-MC1-OB90-60-A50	1.5	600	50	540	2.80
GE-MC1-OB90-75-A50	1.5	750	50	540	3.10
GE-MC1-OB90-90-A50	1.5	900	50	540	3.40

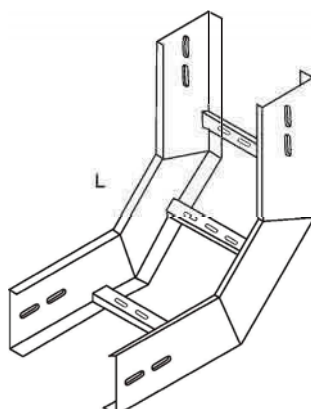
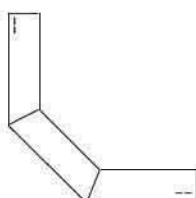
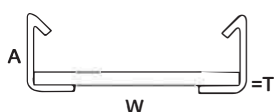
Vertical bends in 90°, 60°, 45°, 30° are available on request.
 90° vertical bend is supplied in standard unless the angle specified when ordering.

90°, 60°, 45°, 30° dönüşler mevcuttur.
 Başka ölçü belirtilmedikçe standart 90° teslim edilir.

Угловые элементы могут быть изготовлены 90, 60, 45, 30.
 Стандартный размер 90, кроме случаев оговорённых при заказе.

GE-MC1-IB90-A50

90° vertical bend, inside
 90° iç bükey elemanı
 Внутренний угловой элемент 90°



Part No	T	W	A	L	Kg
GE-MC1-IB90-10-A50	1.5	100	50	540	1.80
GE-MC1-IB90-15-A50	1.5	150	50	540	1.90
GE-MC1-IB90-20-A50	1.5	200	50	540	2.00
GE-MC1-IB90-25-A50	1.5	250	50	540	2.10
GE-MC1-IB90-30-A50	1.5	300	50	540	2.20
GE-MC1-IB90-40-A50	1.5	400	50	540	2.40
GE-MC1-IB90-45-A50	1.5	450	50	540	2.50
GE-MC1-IB90-50-A50	1.5	500	50	540	2.60
GE-MC1-IB90-60-A50	1.5	600	50	540	2.80
GE-MC1-IB90-75-A50	1.5	750	50	540	3.10
GE-MC1-IB90-90-A50	1.5	900	50	540	3.40

Material options: Stainless steel AISI 304 (L) (A2) / AISI 316 (L) (A4), ST-37-42 Mild Steel, Corten A, Pregalvanized steel, Aluminum
 Finish options : Hot Dip Galvanized to EN 1461, Electrogalvanized to TS 149, Electrostatic Paint Coated, Prime coated
 See material & finish option charts for available product specific selections.

Cable Ladders

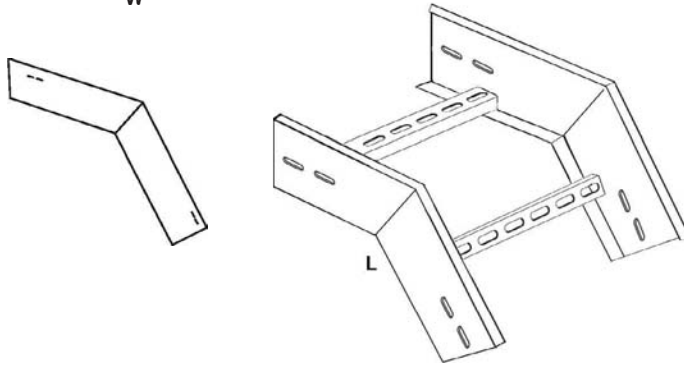
50

GE-MC1-OB45-A50

45° vertical bend, outside

45° dış bükey elemanı

Внешний угловой элемент 45°



Part No	T	W	A	L	Kg
GE-MC1-OB45-10-A50	1.5	100	50	450	1.20
GE-MC1-OB45-15-A50	1.5	150	50	450	1.30
GE-MC1-OB45-20-A50	1.5	200	50	450	1.40
GE-MC1-OB45-25-A50	1.5	250	50	450	1.50
GE-MC1-OB45-30-A50	1.5	300	50	450	1.60
GE-MC1-OB45-40-A50	1.5	400	50	450	1.80
GE-MC1-OB45-45-A50	1.5	450	50	450	1.90
GE-MC1-OB45-50-A50	1.5	500	50	450	2.00
GE-MC1-OB45-60-A50	1.5	600	50	450	2.20
GE-MC1-OB45-75-A50	1.5	750	50	450	2.50
GE-MC1-OB45-90-A50	1.5	900	50	450	2.80

Vertical bends in 90°, 60°, 45°, 30° are available on request.
 90° vertical bend is supplied in standard unless the angle specified when ordering.

90°, 60°, 45°, 30° dönüşler mevcuttur.

Başka ölçü belirtilmedikçe standart 90° teslim edilir.

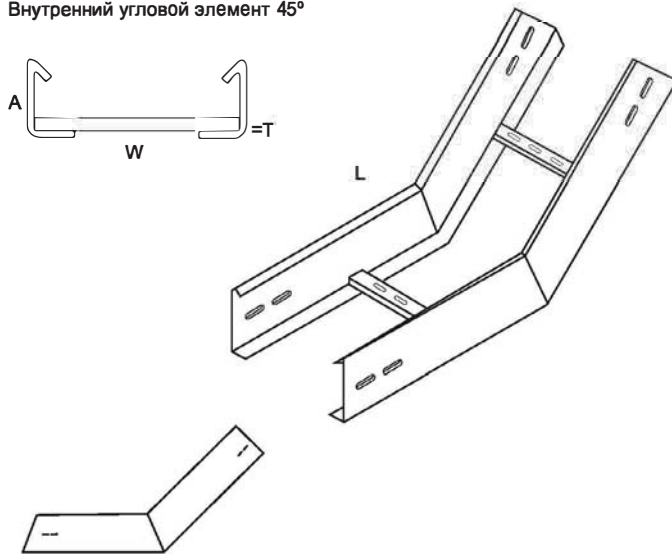
Угловые элементы могут быть изготовлены 90, 60, 45, 30.
 Стандартный размер 90, кроме случаев оговорённых при заказе.

GE-MC1-IB45-A50

45° vertical bend, inside

45° iç bükey elemanı

Внутренний угловой элемент 45°



Part No	T	W	A	L	Kg
GE-MC1-IB45-10-A50	1.5	100	50	450	1.20
GE-MC1-IB45-15-A50	1.5	150	50	450	1.30
GE-MC1-IB45-20-A50	1.5	200	50	450	1.40
GE-MC1-IB45-25-A50	1.5	250	50	450	1.50
GE-MC1-IB45-30-A50	1.5	300	50	450	1.60
GE-MC1-IB45-40-A50	1.5	400	50	450	1.80
GE-MC1-IB45-45-A50	1.5	450	50	450	1.90
GE-MC1-IB45-50-A50	1.5	500	50	450	2.00
GE-MC1-IB45-60-A50	1.5	600	50	450	2.20
GE-MC1-IB45-75-A50	1.5	750	50	450	2.50
GE-MC1-IB45-90-A50	1.5	900	50	450	2.80

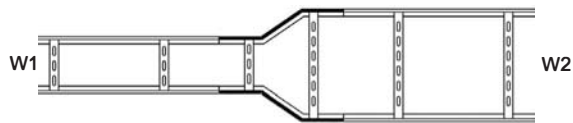
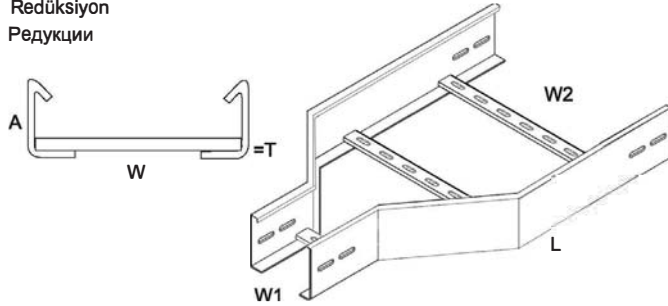
Material options: Stainless steel AISI 304 (L) (A2) / AISI 316 (L) (A4), ST-37-42 Mild Steel, Corten A, Pregalvanized steel, Aluminum
 Finish options : Hot Dip Galvanized to EN 1461, Electrogalvanized to TS 149, Electrostatic Paint Coated, Prime coated
 See material & finish option charts for available product specific selections.

Cable Ladders

50

GE-MC1-R-A50

Straight reducer
 Redüksiyon
 Редукции



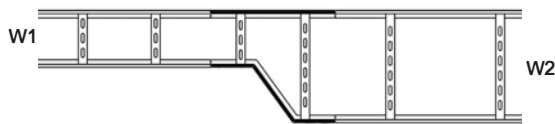
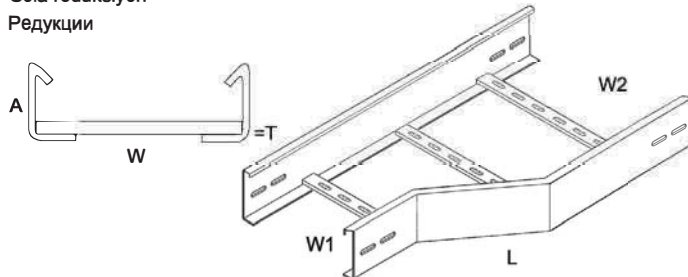
Part No	T	W1 - W2	A	L	Kg
GE-MC1-R-10-20-A50	1.5	100 - 200	50	300	1.20
GE-MC1-R-10-30-A50	1.5	100 - 300	50	340	1.40
GE-MC1-R-10-40-A50	1.5	100 - 400	50	400	1.60
GE-MC1-R-10-50-A50	1.5	100 - 500	50	440	1.80
GE-MC1-R-10-60-A50	1.5	100 - 600	50	490	2.00
GE-MC1-R-10-75-A50	1.5	100 - 750	50	560	2.30
GE-MC1-R-10-90-A50	1.5	100 - 900	50	650	2.60

How to order / Kodlama / Как написать при заказе

GE-MC1 R 100 200 A50 HDG
 (Series + Product + Width1 + Width2 + Height + Finish)

GE-MC1-RL-A50

Left reducer
 Sola redüksiyon
 Редукции



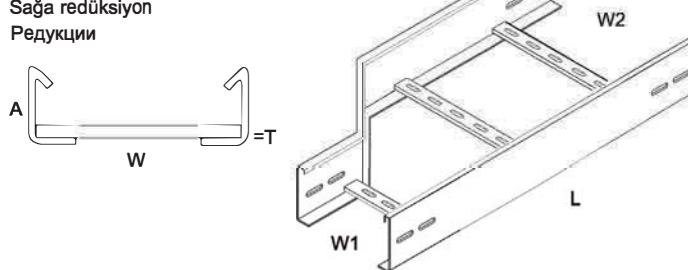
Part No	T	W1 - W2	A	L	Kg
GE-MC1-RL-10-20-A50	1.5	100 - 200	50	300	1.20
GE-MC1-RL-10-30-A50	1.5	100 - 300	50	340	1.40
GE-MC1-RL-10-40-A50	1.5	100 - 400	50	400	1.60
GE-MC1-RL-10-50-A50	1.5	100 - 500	50	440	1.80
GE-MC1-RL-10-60-A50	1.5	100 - 600	50	490	2.00
GE-MC1-RL-10-75-A50	1.5	100 - 750	50	560	2.30
GE-MC1-RL-10-90-A50	1.5	100 - 900	50	650	2.60

How to order / Kodlama / Как написать при заказе

GE-MC1 RL 100 200 A50 HDG
 (Series + Product + Width1 + Width2 + Height + Finish)

GE-MC1-RR-A50

Right reducer
 Sağa redüksiyon
 Редукции



Part No	T	W1 - W2	A	L	Kg
GE-MC1-RR-10-20-A50	1.5	100 - 200	50	300	1.20
GE-MC1-RR-10-30-A50	1.5	100 - 300	50	340	1.40
GE-MC1-RR-10-40-A50	1.5	100 - 400	50	400	1.60
GE-MC1-RR-10-50-A50	1.5	100 - 500	50	440	1.80
GE-MC1-RR-10-60-A50	1.5	100 - 600	50	490	2.00
GE-MC1-RR-10-75-A50	1.5	100 - 750	50	560	2.30
GE-MC1-RR-10-90-A50	1.5	100 - 900	50	650	2.60

How to order / Kodlama / Как написать при заказе

GE-MC1 RR 100 200 A50 HDG
 (Series + Product + Width1 + Width2 + Height + Finish)

Material options: Stainless steel AISI 304 (L) (A2) / AISI 316 (L) (A4), ST-37-42 Mild Steel, Corten A, Pregalvanized steel, Aluminum
 Finish options : Hot Dip Galvanized to EN 1461, Electrogalvanized to TS 149, Electrostatic Paint Coated, Prime coated
 See material & finish option charts for available product specific selections.

Cable Ladders

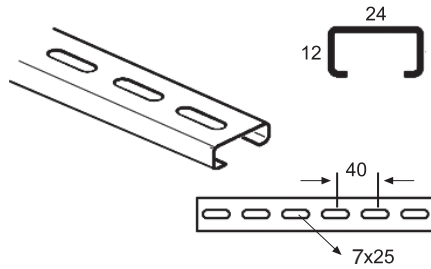
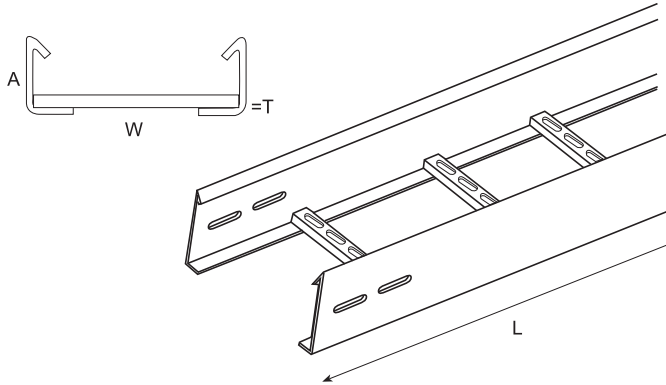
70

GE-MC1-A70

Cable ladder, light duty

Kablo merdiveni

Легкая долг лестничный лоток



Base holes available upon request.
 İstek üzerine taban delikleri ile imal edilir.
 База доступна дыр по запросу.

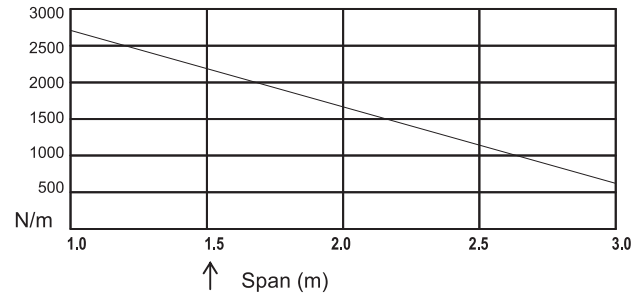
Part No	T	W	A	L	Kg/m
GE-MC1-10-A70	1.5	100	70	3000	2.80
GE-MC1-15-A70	1.5	150	70	3000	2.90
GE-MC1-20-A70	1.5	200	70	3000	3.00
GE-MC1-25-A70	1.5	250	70	3000	3.10
GE-MC1-30-A70	1.5	300	70	3000	3.20
GE-MC1-40-A70	1.5	400	70	3000	3.40
GE-MC1-45-A70	1.5	450	70	3000	3.50
GE-MC1-50-A70	1.5	500	70	3000	3.60
GE-MC1-60-A70	1.5	600	70	3000	3.80
GE-MC1-75-A70	1.5	750	70	3000	4.10
GE-MC1-90-A70	1.5	900	70	3000	4.40

SS4 SS6 HDG EG ESB APB AL

Custom production available upon request.

İsteğe göre diğer ölçülerde üretim yapılır.

Возможно изготовление продукции на заказ.

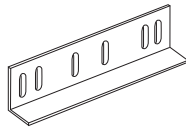


GE-EK-70

Splice plate

Ek parçası

Связующий элемент



GE-KC

Fixing set

Kanal civata takımı

Комплект винтового соединения



GE-SF

GE-LCN

PVC strip

PVC conta

Резиновые прокладки



GE-LCND

PVC strip double

PVC conta, çiftli

Резиновые прокладки



GE-SPRAY-1

Zinc spray

Çinko sprej

Спрей цинка

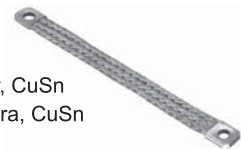


GE-BFEC-4

Flat flexible bar, CuSn

Yassı esnek bara, CuSn

Провод



Material options: Stainless steel AISI 304 (L) (A2) / AISI 316 (L) (A4), ST-37-42 Mild Steel, Corten A, Pregalvanized steel, Aluminum
Finish options : Hot Dip Galvanized to EN 1461, Electrogalvanized to TS 149, Electrostatic Paint Coated, Prime coated
See material & finish option charts for available product specific selections.

Cable Ladders

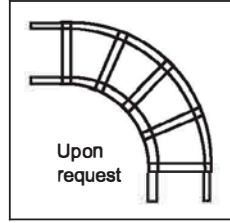
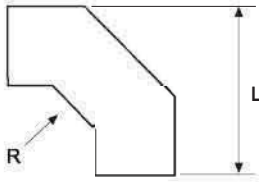
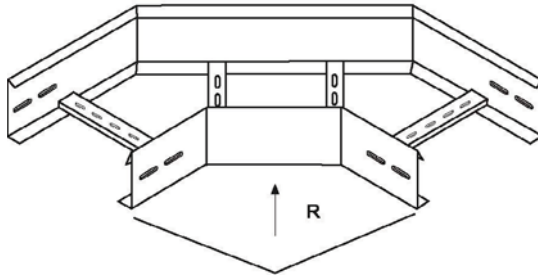
70

GE-MC1-D90-A70

90° flat bend

90° dönüş elemanı

Секция угловая горизонтальная 90°



Part No	T	W	A	L	Kg
GE-MC1-D90-10-A70	1.5	100	70	260	1.35
GE-MC1-D90-15-A70	1.5	150	70	310	1.60
GE-MC1-D90-20-A70	1.5	200	70	360	1.85
GE-MC1-D90-25-A70	1.5	250	70	410	2.10
GE-MC1-D90-30-A70	1.5	300	70	460	2.30
GE-MC1-D90-40-A70	1.5	400	70	560	2.80
GE-MC1-D90-45-A70	1.5	450	70	610	3.10
GE-MC1-D90-50-A70	1.5	500	70	660	3.30
GE-MC1-D90-60-A70	1.5	600	70	760	3.80
GE-MC1-D90-75-A70	1.5	750	70	910	4.50
GE-MC1-D90-90-A70	1.5	900	70	1060	5.25

Flat bends in 90°, 60°, 45°, 30° are available on request.
90° flat bend is supplied as standard unless the angle is specified when ordering.

90°, 60°, 45°, 30° dönüşler mevcuttur.

Başka ölçü belirtilmedikçe standart 90° teslim edilir.

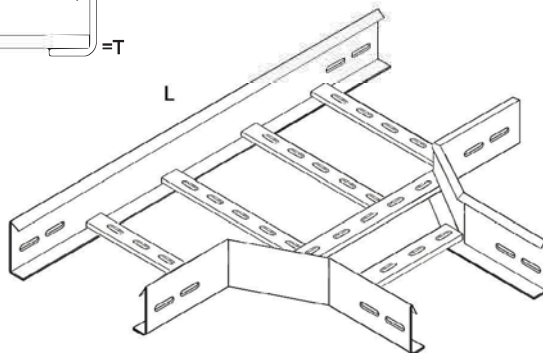
Угловые элементы могут быть изготовлены 90, 60, 45, 30. Стандартный размер 90, кроме случаев оговорённых при заказе.

GE-MC1-T-A70

Tee

T elemanı

T образное разветвление

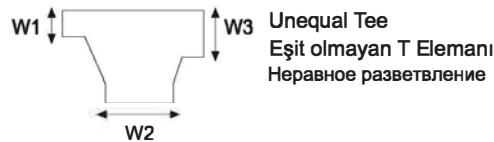
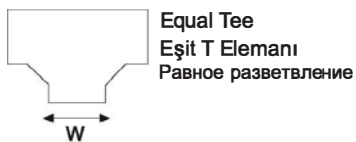


Part No	T	W	A	L	Kg
GE-MC1-T-10-A70	1.5	100	70	420	1.65
GE-MC1-T-15-A70	1.5	150	70	470	1.95
GE-MC1-T-20-A70	1.5	200	70	520	2.30
GE-MC1-T-25-A70	1.5	250	70	570	2.60
GE-MC1-T-30-A70	1.5	300	70	620	2.90
GE-MC1-T-40-A70	1.5	400	70	720	3.50
GE-MC1-T-45-A70	1.5	450	70	770	3.80
GE-MC1-T-50-A70	1.5	500	70	820	4.10
GE-MC1-T-60-A70	1.5	600	70	920	4.70
GE-MC1-T-75-A70	1.5	750	70	1070	5.60
GE-MC1-T-90-A70	1.5	900	70	1220	6.50

Please specify the widths of unequal tees by drawing.

Eşit olmayan T' lerde W ölçülerini siparişte belirtiniz.

Укажите размеры W неравного T-образного разветвления.



Material options: Stainless steel AISI 304 (L) (A2) / AISI 316 (L) (A4), ST-37-42 Mild Steel, Corten A, Pregalvanized steel, Aluminum
 Finish options : Hot Dip Galvanized to EN 1461, Electrogalvanized to TS 149, Electrostatic Paint Coated, Prime coated
 See material & finish option charts for available product specific selections.

Cable Ladders

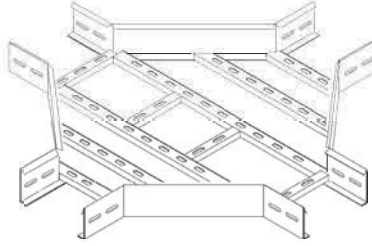
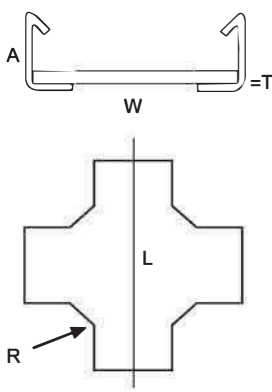
70

GE-MC1-DB-A70

Crossing

Dörtlü Bağlantı Elemanı

Секция крестообразная



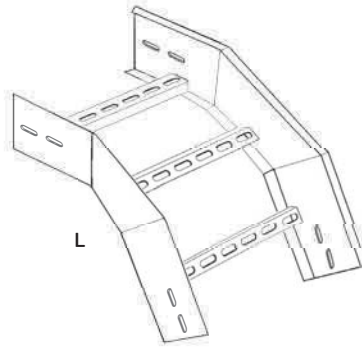
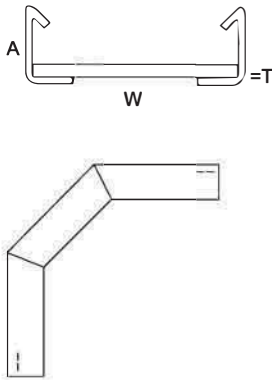
Part No	T	W	A	L	Kg
GE-MC1-DB-10-A70	1.5	100	70	420	1.90
GE-MC1-DB-15-A70	1.5	150	70	470	2.25
GE-MC1-DB-20-A70	1.5	200	70	520	2.60
GE-MC1-DB-25-A70	1.5	250	70	570	2.95
GE-MC1-DB-30-A70	1.5	300	70	620	3.30
GE-MC1-DB-40-A70	1.5	400	70	720	4.00
GE-MC1-DB-45-A70	1.5	450	70	770	4.35
GE-MC1-DB-50-A70	1.5	500	70	820	4.70
GE-MC1-DB-60-A70	1.5	600	70	920	5.40
GE-MC1-DB-75-A70	1.5	750	70	1070	6.45
GE-MC1-DB-90-A70	1.5	900	70	1220	7.50

GE-MC1-OB90-A70

90° vertical bend, outside

90° dış bükey elemanı

Внешний угловой элемент 90°



Part No	T	W	A	L	Kg
GE-MC1-OB90-10-A70	1.5	100	70	540	2.20
GE-MC1-OB90-15-A70	1.5	150	70	540	2.30
GE-MC1-OB90-20-A70	1.5	200	70	540	2.40
GE-MC1-OB90-25-A70	1.5	250	70	540	2.50
GE-MC1-OB90-30-A70	1.5	300	70	540	2.60
GE-MC1-OB90-40-A70	1.5	400	70	540	2.80
GE-MC1-OB90-45-A70	1.5	450	70	540	2.90
GE-MC1-OB90-50-A70	1.5	500	70	540	3.00
GE-MC1-OB90-60-A70	1.5	600	70	540	3.20
GE-MC1-OB90-75-A70	1.5	750	70	540	3.50
GE-MC1-OB90-90-A70	1.5	900	70	540	3.80

Vertical bends in 90°, 60°, 45°, 30° are available on request.
 90° vertical bend is supplied in standard unless the angle specified when ordering.

90°, 60°, 45°, 30° dönüşler mevcuttur.

Başka ölçü belirtilmedikçe standart 90° teslim edilir.

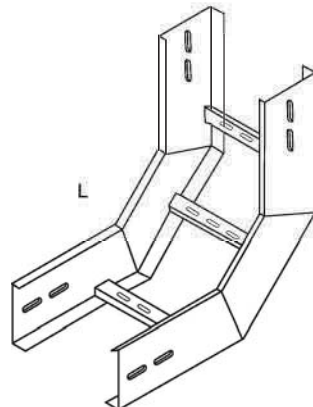
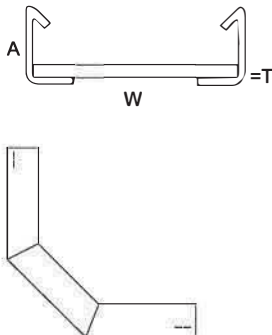
Угловые элементы могут быть изготовлены 90, 60, 45, 30.
 Стандартный размер 90, кроме случаев оговорённых при заказе.

GE-MC1-IB90-A70

90° vertical bend, inside

90° iç bükey elemanı

Внутренний угловой элемент 90°



Part No	T	W	A	L	Kg
GE-MC1-IB90-10-A70	1.5	100	70	540	2.20
GE-MC1-IB90-15-A70	1.5	150	70	540	2.30
GE-MC1-IB90-20-A70	1.5	200	70	540	2.40
GE-MC1-IB90-25-A70	1.5	250	70	540	2.50
GE-MC1-IB90-30-A70	1.5	300	70	540	2.60
GE-MC1-IB90-40-A70	1.5	400	70	540	2.80
GE-MC1-IB90-45-A70	1.5	450	70	540	2.90
GE-MC1-IB90-50-A70	1.5	500	70	540	3.00
GE-MC1-IB90-60-A70	1.5	600	70	540	3.20
GE-MC1-IB90-75-A70	1.5	750	70	540	3.50
GE-MC1-IB90-90-A70	1.5	900	70	540	3.80

Material options: Stainless steel AISI 304 (L) (A2) / AISI 316 (L) (A4), ST-37-42 Mild Steel, Corten A, Pregalvanized steel, Aluminum
 Finish options : Hot Dip Galvanized to EN 1461, Electrogalvanized to TS 149, Electrostatic Paint Coated, Prime coated
 See material & finish option charts for available product specific selections.

Cable Ladders

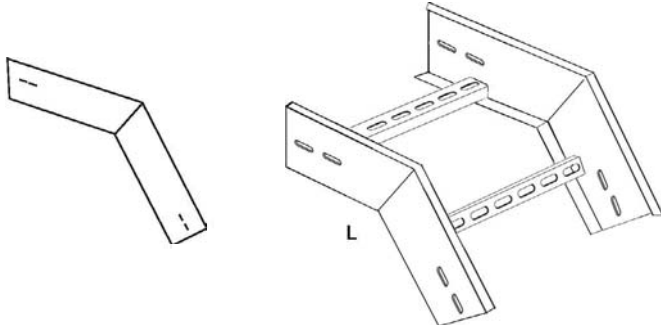
70

GE-MC1-OB45-A70

45° vertical bend, outside

45° dış bükey elemanı

Внешний угловой элемент 45°



Part No	T	W	A	L	Kg
GE-MC1-OB45-10-A70	1.5	100	70	450	1.50
GE-MC1-OB45-15-A70	1.5	150	70	450	1.60
GE-MC1-OB45-20-A70	1.5	200	70	450	1.70
GE-MC1-OB45-25-A70	1.5	250	70	450	1.80
GE-MC1-OB45-30-A70	1.5	300	70	450	1.90
GE-MC1-OB45-40-A70	1.5	400	70	450	2.10
GE-MC1-OB45-45-A70	1.5	450	70	450	2.20
GE-MC1-OB45-50-A70	1.5	500	70	450	2.30
GE-MC1-OB45-60-A70	1.5	600	70	450	2.50
GE-MC1-OB45-75-A70	1.5	750	70	450	2.80
GE-MC1-OB45-90-A70	1.5	900	70	450	3.10

Vertical bends in 90°, 60°, 45°, 30° are available on request.
 90° vertical bend is supplied in standard unless the angle specified when ordering.

90°, 60°, 45°, 30° dönüşler mevcuttur.

Başka ölçü belirtilmedikçe standart 90° teslim edilir.

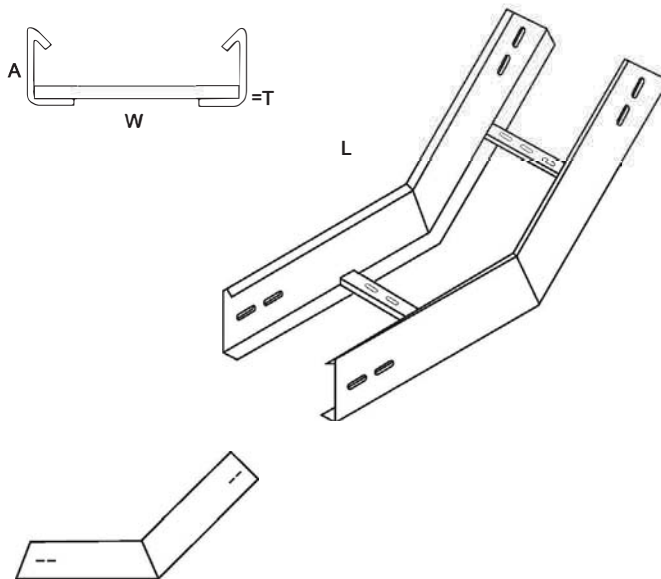
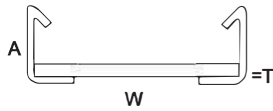
Угловые элементы могут быть изготовлены 90, 60, 45, 30.
 Стандартный размер 90, кроме случаев оговорённых при заказе.

GE-MC1-IB45-A70

45° vertical bend, inside

45° iç bükey elemanı

Внутренний угловой элемент 45°



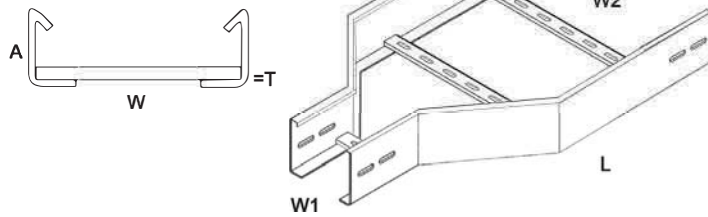
Part No	T	W	A	L	Kg
GE-MC1-IB45-10-A70	1.5	100	70	450	1.50
GE-MC1-IB45-15-A70	1.5	150	70	450	1.60
GE-MC1-IB45-20-A70	1.5	200	70	450	1.70
GE-MC1-IB45-25-A70	1.5	250	70	450	1.80
GE-MC1-IB45-30-A70	1.5	300	70	450	1.90
GE-MC1-IB45-40-A70	1.5	400	70	450	2.10
GE-MC1-IB45-45-A70	1.5	450	70	450	2.20
GE-MC1-IB45-50-A70	1.5	500	70	450	2.30
GE-MC1-IB45-60-A70	1.5	600	70	450	2.50
GE-MC1-IB45-75-A70	1.5	750	70	450	2.80
GE-MC1-IB45-90-A70	1.5	900	70	450	3.10

Material options: Stainless steel AISI 304 (L) (A2) / AISI 316 (L) (A4), ST-37-42 Mild Steel, Corten A, Pregalvanized steel, Aluminum
 Finish options : Hot Dip Galvanized to EN 1461, Electrogalvanized to TS 149, Electrostatic Paint Coated, Prime coated
 See material & finish option charts for available product specific selections.

Cable Ladders

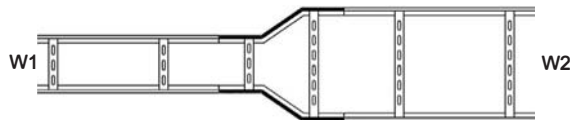
70

GE-MC1-R-A70
 Straight reducer
 Redüksiyon
 Редукции

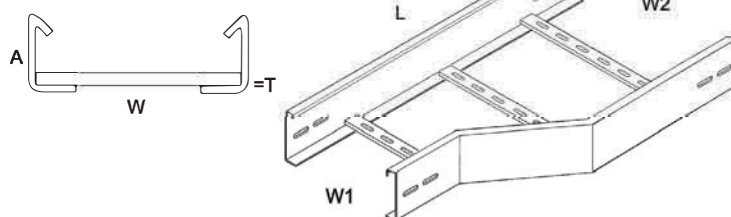


Part No	T	W1 - W2	A	L	Kg
GE-MC1-R-10-20-A70	1.5	100 - 200	70	300	1.50
GE-MC1-R-10-30-A70	1.5	100 - 300	70	340	1.70
GE-MC1-R-10-40-A70	1.5	100 - 400	70	400	2.00
GE-MC1-R-10-50-A70	1.5	100 - 500	70	440	2.30
GE-MC1-R-10-60-A70	1.5	100 - 600	70	490	2.50
GE-MC1-R-10-75-A70	1.5	100 - 750	70	560	2.80
GE-MC1-R-10-90-A70	1.5	100 - 900	70	650	3.20

How to order / Kodlama / Как написать при заказе
 GE-MC1 R 100 200 A70 HDG
 (Series + Product + Width1 + Width2 + Height + Finish)

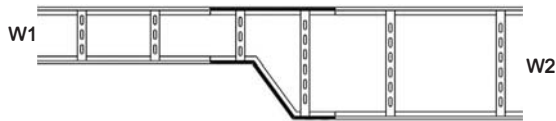


GE-MC1-RL-A70
 Left reducer
 Sola redüksiyon
 Редукции

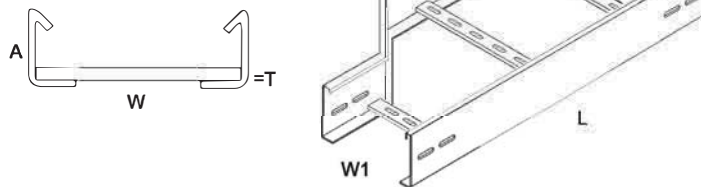


Part No	T	W1 - W2	A	L	Kg
GE-MC1-RL-10-20-A70	1.5	100 - 200	70	300	1.50
GE-MC1-RL-10-30-A70	1.5	100 - 300	70	340	1.70
GE-MC1-RL-10-40-A70	1.5	100 - 400	70	400	2.00
GE-MC1-RL-10-50-A70	1.5	100 - 500	70	440	2.30
GE-MC1-RL-10-60-A70	1.5	100 - 600	70	490	2.50
GE-MC1-RL-10-75-A70	1.5	100 - 750	70	560	2.80
GE-MC1-RL-10-90-A70	1.5	100 - 900	70	650	3.20

How to order / Kodlama / Как написать при заказе
 GE-MC1 RL 100 200 A70 HDG
 (Series + Product + Width1 + Width2 + Height + Finish)

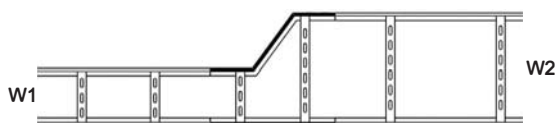


GE-MC1-RR-A70
 Right reducer
 Sağa redüksiyon
 Редукции



Part No	T	W1 - W2	A	L	Kg
GE-MC1-RR-10-20-A70	1.5	100 - 200	70	300	1.50
GE-MC1-RR-10-30-A70	1.5	100 - 300	70	340	1.70
GE-MC1-RR-10-40-A70	1.5	100 - 400	70	400	2.00
GE-MC1-RR-10-50-A70	1.5	100 - 500	70	440	2.30
GE-MC1-RR-10-60-A70	1.5	100 - 600	70	490	2.50
GE-MC1-RR-10-75-A70	1.5	100 - 750	70	560	2.80
GE-MC1-RR-10-90-A70	1.5	100 - 900	70	650	3.20

How to order / Kodlama / Как написать при заказе
 GE-MC1 RR 100 200 A70 HDG
 (Series + Product + Width1 + Width2 + Height + Finish)



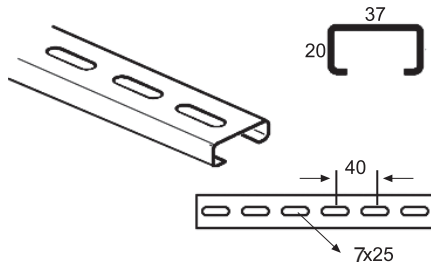
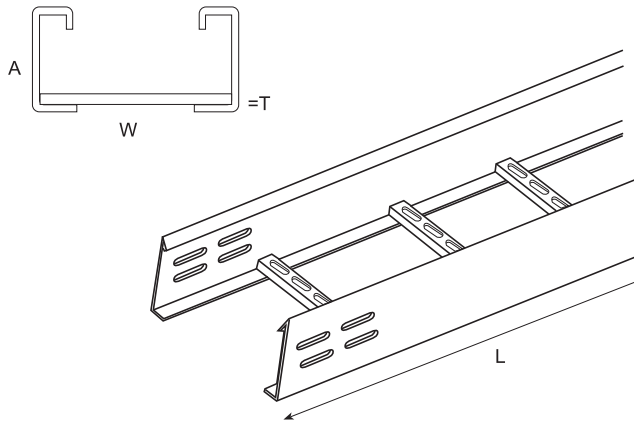
Material options: Stainless steel AISI 304 (L) (A2) / AISI 316 (L) (A4), ST-37-42 Mild Steel, Corten A, Pregalvanized steel, Aluminum
 Finish options : Hot Dip Galvanized to EN 1461, Electrogalvanized to TS 149, Electrostatic Paint Coated, Prime coated
 See material & finish option charts for available product specific selections.

Cable Ladders

100

GE-MC2-A100

Cable ladder, medium duty
 Kablo merdiveni
 Лестничный лоток

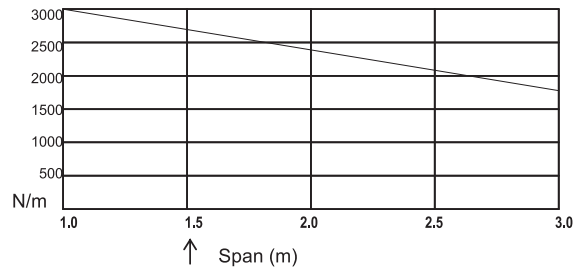


Base holes available upon request.
 İstek üzerine taban delikleri ile imal edilir.
 База доступна дыр по запросу.

Part No	T	W	A	L	Kg
GE-MC2-10-A100	1.5	100	100	3000	4.00
GE-MC2-15-A100	1.5	150	100	3000	4.15
GE-MC2-20-A100	1.5	200	100	3000	4.30
GE-MC2-25-A100	1.5	250	100	3000	4.45
GE-MC2-30-A100	1.5	300	100	3000	4.60
GE-MC2-40-A100	1.5	400	100	3000	4.90
GE-MC2-45-A100	1.5	450	100	3000	5.05
GE-MC2-50-A100	1.5	500	100	3000	5.20
GE-MC2-60-A100	1.5	600	100	3000	5.50
GE-MC2-75-A100	1.5	750	100	3000	5.95
GE-MC2-90-A100	1.5	900	100	3000	6.40

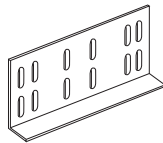
SS4 SS6 HDG EG ESB APB AL

Custom production available upon request.
 İsteğe göre diğer ölçülerde üretim yapılır.
 Возможно изготовление продукции на заказ.



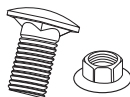
GE-EK-100

Splice plate
 Ek parçası
 Связующий элемент



GE-KC

Fixing set
 Kanal civata takımı
 Комплект винтового соединения



GE-LCN

PVC strip
 PVC conta
 Резиновые прокладки



GE-LCND

PVC strip double
 PVC conta, çiftli
 Резиновые прокладки



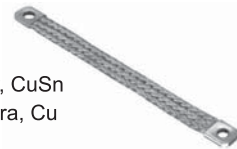
GE-SPRAY-1

Zinc spray
 Çinko sprej
 Спрей цинка



GE-BFEC-4

Flat flexible bar, CuSn
 Yassı esnek bara, Cu
 Провод



Material options: Stainless steel AISI 304 (L) (A2) / AISI 316 (L) (A4), ST-37-42 Mild Steel, Corten A, Pregalvanized steel, Aluminum
 Finish options : Hot Dip Galvanized to EN 1461, Electrogalvanized to TS 149, Electrostatic Paint Coated, Prime coated
 See material & finish option charts for available product specific selections.

Cable Ladders

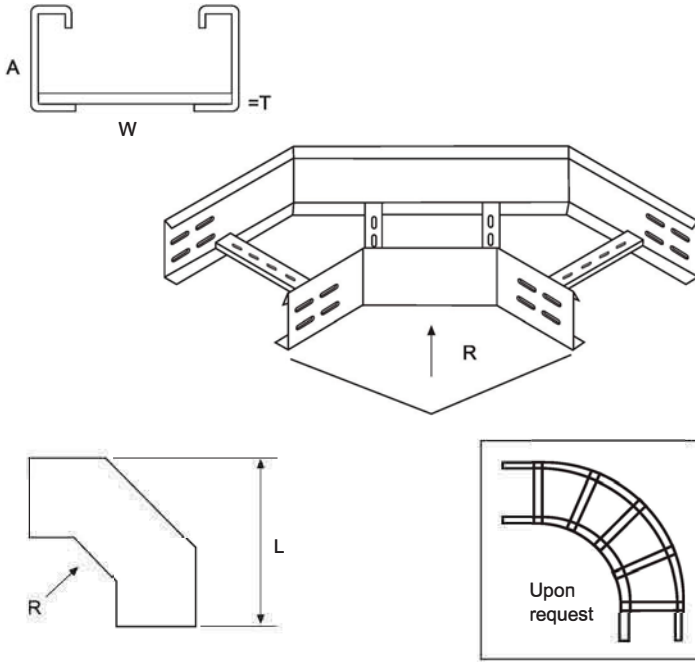
100

GE-MC2-D90-A100

90° flat bend

90° dönüş elemanı

Секция угловая горизонтальная 90°



Part No	T	W	A	L	Kg
GE-MC2-D90-10-A100	1.5	100	100	260	1.65
GE-MC2-D90-15-A100	1.5	150	100	310	1.90
GE-MC2-D90-20-A100	1.5	200	100	360	2.05
GE-MC2-D90-25-A100	1.5	250	100	410	2.30
GE-MC2-D90-30-A100	1.5	300	100	460	2.55
GE-MC2-D90-40-A100	1.5	400	100	560	3.10
GE-MC2-D90-45-A100	1.5	450	100	610	3.35
GE-MC2-D90-50-A100	1.5	500	100	660	3.60
GE-MC2-D90-60-A100	1.5	600	100	760	4.10
GE-MC2-D90-75-A100	1.5	750	100	910	4.85
GE-MC2-D90-90-A100	1.5	900	100	1060	5.60

Flat bends in 90°, 60°, 45°, 30° are available on request. 90° flat bend is supplied as standard unless the angle is specified when ordering.

90°, 60°, 45°, 30° dönüşler mevcuttur. Başka ölçü belirtilmedikçe standart 90° teslim edilir.

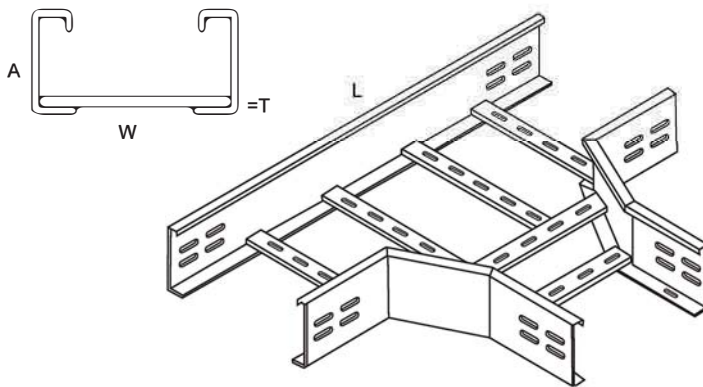
Угловые элементы могут быть изготовлены 90, 60, 45, 30. Стандартный размер 90, кроме случаев оговорённых при заказе.

GE-MC2-T-A100

Tee

T elemanı

T образное разветвление

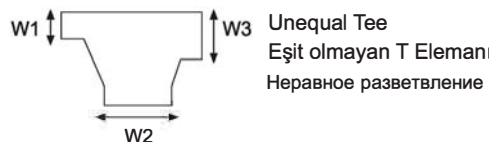
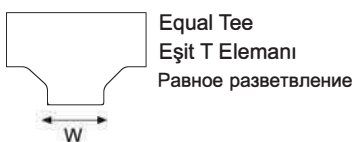


Part No	T	W	A	L	Kg
GE-MC2-T-10-A100	1.5	100	100	420	2.00
GE-MC2-T-15-A100	1.5	150	100	470	2.40
GE-MC2-T-20-A100	1.5	200	100	520	2.80
GE-MC2-T-25-A100	1.5	250	100	570	3.20
GE-MC2-T-30-A100	1.5	300	100	620	3.60
GE-MC2-T-40-A100	1.5	400	100	720	4.50
GE-MC2-T-45-A100	1.5	450	100	770	4.80
GE-MC2-T-50-A100	1.5	500	100	820	5.20
GE-MC2-T-60-A100	1.5	600	100	920	6.00
GE-MC2-T-75-A100	1.5	750	100	1070	7.20
GE-MC2-T-90-A100	1.5	900	100	1220	8.40

Please specify the widths of unequal tees by drawing.

Eşit olmayan T' lerde W ölçülerini siparişte belirtiniz.

Укажите размеры W неравного T-образного разветвления.



Material options: Stainless steel AISI 304 (L) (A2) / AISI 316 (L) (A4), ST-37-42 Mild Steel, Corten A, Pregalvanized steel, Aluminum
Finish options : Hot Dip Galvanized to EN 1461, Electrogalvanized to TS 149, Electrostatic Paint Coated, Prime coated
See material & finish option charts for available product specific selections.

Cable Ladders

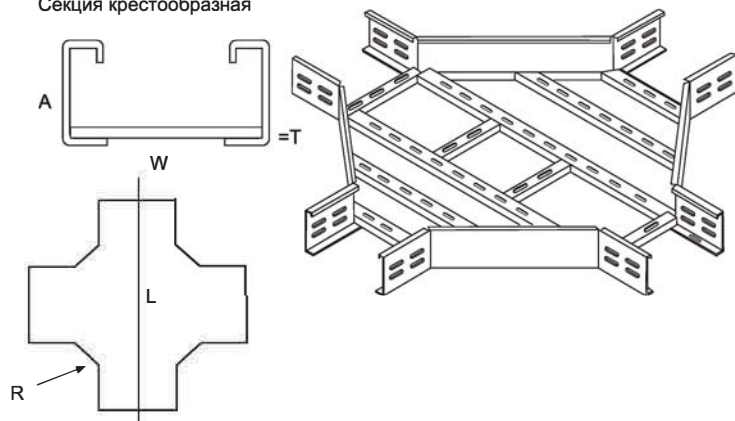
100

GE-MC2-DB-A100

Crossing

Dörtlü Bağlantı Elemanı

Секция крестообразная



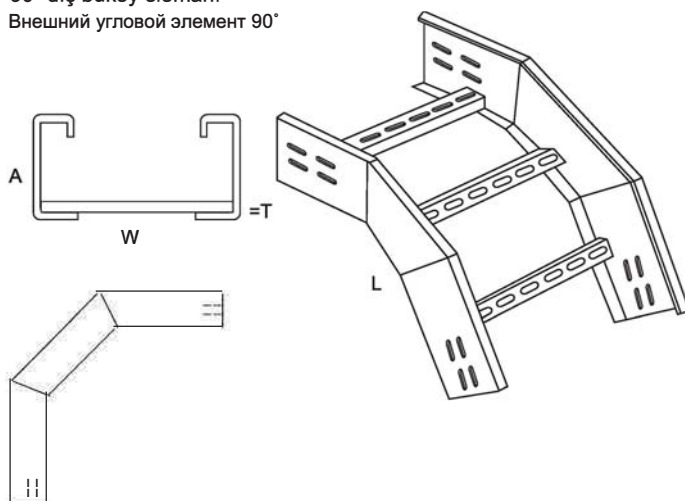
Part No	T	W	A	L	Kg
GE-MC2-DB-10-A100	1.5	100	100	420	2.30
GE-MC2-DB-15-A100	1.5	150	100	470	2.75
GE-MC2-DB-20-A100	1.5	200	100	520	3.20
GE-MC2-DB-25-A100	1.5	250	100	570	3.65
GE-MC2-DB-30-A100	1.5	300	100	620	4.10
GE-MC2-DB-40-A100	1.5	400	100	720	5.00
GE-MC2-DB-45-A100	1.5	450	100	770	5.45
GE-MC2-DB-50-A100	1.5	500	100	820	5.90
GE-MC2-DB-60-A100	1.5	600	100	920	6.80
GE-MC2-DB-75-A100	1.5	750	100	1070	8.15
GE-MC2-DB-75-A100	1.5	900	100	1220	9.50

GE-MC2-OB90-A100

90° vertical bend, outside

90° dış bükey elemanı

Внешний угловой элемент 90°



Part No	T	W	A	L	Kg
GE-MC2-OB90-10-A100	1.5	100	100	540	2.70
GE-MC2-OB90-15-A100	1.5	150	100	540	2.80
GE-MC2-OB90-20-A100	1.5	200	100	540	3.30
GE-MC2-OB90-25-A100	1.5	250	100	540	3.80
GE-MC2-OB90-30-A100	1.5	300	100	540	4.30
GE-MC2-OB90-40-A100	1.5	400	100	540	5.30
GE-MC2-OB90-45-A100	1.5	450	100	540	5.80
GE-MC2-OB90-50-A100	1.5	500	100	540	6.30
GE-MC2-OB90-60-A100	1.5	600	100	540	7.30
GE-MC2-OB90-75-A100	1.5	750	100	540	8.80
GE-MC2-OB90-90-A100	1.5	900	100	540	10.30

Vertical bends in 90°, 60°, 45°, 30° are available on request. 90° vertical bend is supplied in standard unless the angle specified when ordering.

90°, 60°, 45°, 30° dönüşler mevcuttur.

Başka ölçü belirtilmedikçe standart 90° teslim edilir.

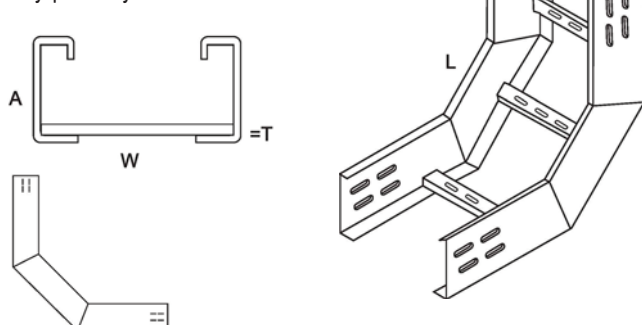
Угловые элементы могут быть изготовлены 90, 60, 45, 30. Стандартный размер 90, кроме случаев оговорённых при заказе.

GE-MC2-IB90-A100

90° vertical bend, inside

90° iç bükey elemanı

Внутренний угловой элемент 90°



Part No	T	W	A	L	Kg
GE-MC2-IB90-10-A100	1.5	100	100	540	2.70
GE-MC2-IB90-15-A100	1.5	150	100	540	2.80
GE-MC2-IB90-20-A100	1.5	200	100	540	3.30
GE-MC2-IB90-25-A100	1.5	250	100	540	3.80
GE-MC2-IB90-30-A100	1.5	300	100	540	4.30
GE-MC2-IB90-40-A100	1.5	400	100	540	5.30
GE-MC2-IB90-45-A100	1.5	450	100	540	5.80
GE-MC2-IB90-50-A100	1.5	500	100	540	6.30
GE-MC2-IB90-60-A100	1.5	600	100	540	7.30
GE-MC2-IB90-75-A100	1.5	750	100	540	8.80
GE-MC2-IB90-90-A100	1.5	900	100	540	10.30

Material options: Stainless steel AISI 304 (L) (A2) / AISI 316 (L) (A4), ST-37-42 Mild Steel, Corten A, Pregalvanized steel, Aluminum
 Finish options : Hot Dip Galvanized to EN 1461, Electrogalvanized to TS 149, Electrostatic Paint Coated, Prime coated
 See material & finish option charts for available product specific selections.

Cable Ladders

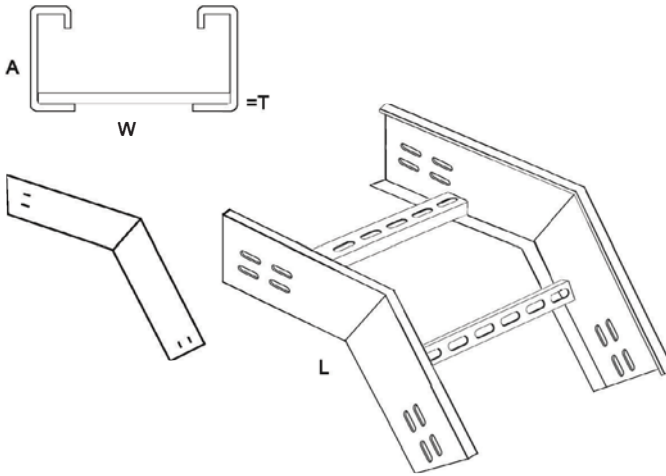
100

GE-MC2-OB45-A100

45° vertical bend, outside

45° dış bükey elemanı

Внешний угловой элемент 45°



Part No	T	W	A	L	Kg
GE-MC2-OB45-10-A100	1.5	100	100	450	1.85
GE-MC2-OB45-15-A100	1.5	150	100	450	1.95
GE-MC2-OB45-20-A100	1.5	200	100	450	2.05
GE-MC2-OB45-25-A100	1.5	250	100	450	2.15
GE-MC2-OB45-30-A100	1.5	300	100	450	2.25
GE-MC2-OB45-40-A100	1.5	400	100	450	2.45
GE-MC2-OB45-45-A100	1.5	450	100	450	2.55
GE-MC2-OB45-50-A100	1.5	500	100	450	2.65
GE-MC2-OB45-60-A100	1.5	600	100	450	2.85
GE-MC2-OB45-75-A100	1.5	750	100	450	3.10
GE-MC2-OB45-90-A100	1.5	900	100	450	3.50

Vertical bends in 90°, 60°, 45°, 30° are available on request.
 90° vertical bend is supplied in standard unless the angle specified when ordering.

90°, 60°, 45°, 30° dönüşler mevcuttur.

Başka ölçü belirtilmedikçe standart 90° teslim edilir.

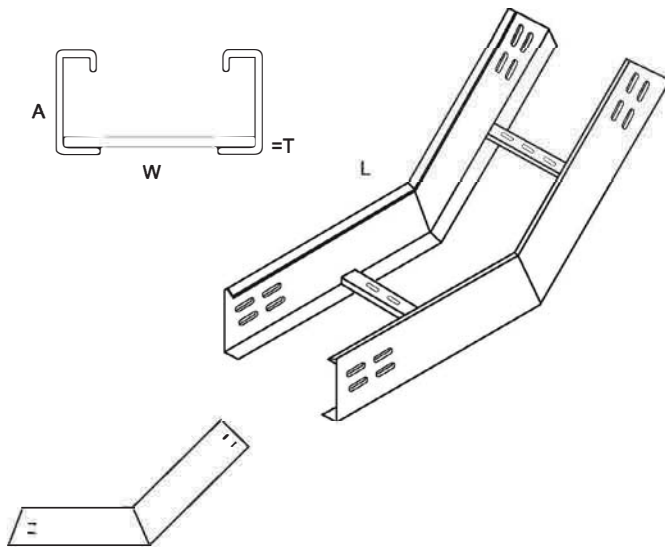
Угловые элементы могут быть изготовлены 90, 60, 45, 30.
 Стандартный размер 90, кроме случаев оговорённых при заказе.

GE-MC2-IB45-A100

45° vertical bend, inside

45° iç bükey elemanı

Внутренний угловой элемент 45°



Part No	T	W	A	L	Kg
GE-MC2-IB45-10-A100	1.5	100	100	450	1.85
GE-MC2-IB45-15-A100	1.5	150	100	450	1.95
GE-MC2-IB45-20-A100	1.5	200	100	450	2.05
GE-MC2-IB45-25-A100	1.5	250	100	450	2.15
GE-MC2-IB45-30-A100	1.5	300	100	450	2.25
GE-MC2-IB45-40-A100	1.5	400	100	450	2.45
GE-MC2-IB45-45-A100	1.5	450	100	450	2.55
GE-MC2-IB45-50-A100	1.5	500	100	450	2.65
GE-MC2-IB45-60-A100	1.5	600	100	450	2.85
GE-MC2-IB45-75-A100	1.5	750	100	450	3.10
GE-MC2-IB45-90-A100	1.5	900	100	450	3.50

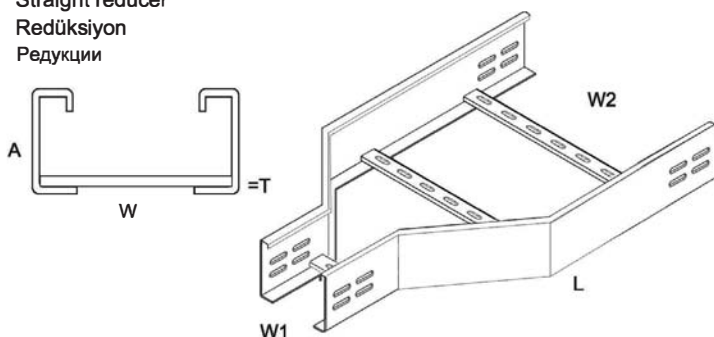
Material options: Stainless steel AISI 304 (L) (A2) / AISI 316 (L) (A4), ST-37-42 Mild Steel, Corten A, Pregalvanized steel, Aluminum
 Finish options : Hot Dip Galvanized to EN 1461, Electrogalvanized to TS 149, Electrostatic Paint Coated, Prime coated
 See material & finish option charts for available product specific selections.

Cable Ladders

100

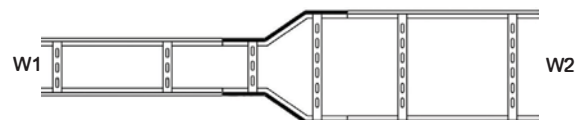
GE-MC2-R-A100

Straight reducer
 Redüksiyon
 Редукции



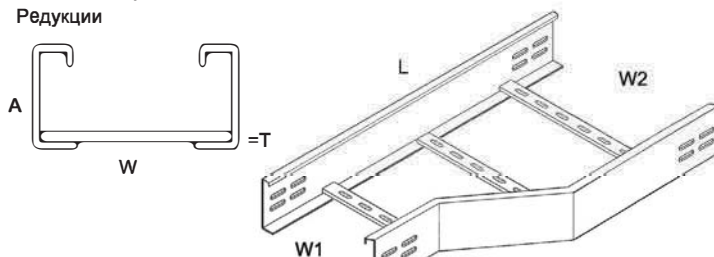
Part No	T	W1 - W2	A	L	Kg
GE-MC2-R-10-20-A100	1.5	100 - 200	100	300	2.05
GE-MC2-R-10-30-A100	1.5	100 - 300	100	340	2.25
GE-MC2-R-10-40-A100	1.5	100 - 400	100	400	2.45
GE-MC2-R-10-50-A100	1.5	100 - 500	100	440	2.65
GE-MC2-R-10-60-A100	1.5	100 - 600	100	490	2.85
GE-MC2-R-10-75-A100	1.5	100 - 750	100	560	3.10
GE-MC2-R-10-90-A100	1.5	100 - 900	100	650	3.50

How to order / Kodlama / Как написать при заказе
 GE-MC1 R 100 200 A100 HDG
 (Series + Product + Width1 + Width2 + Height + Finish)



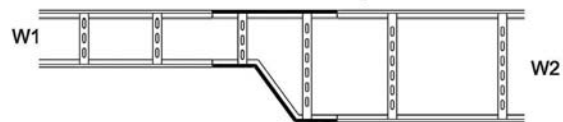
GE-MC2-RL-A100

Left reducer
 Sola redüksiyon
 Редукции



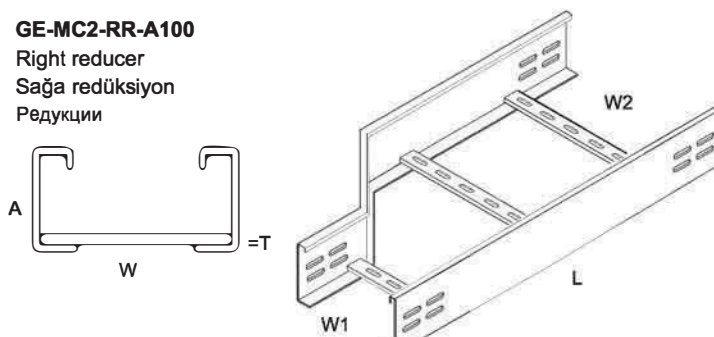
Part No	T	W1 - W2	A	L	Kg
GE-MC2-RL-10-20-A100	1.5	100 - 200	100	300	2.05
GE-MC2-RL-10-30-A100	1.5	100 - 300	100	340	2.25
GE-MC2-RL-10-40-A100	1.5	100 - 400	100	400	2.45
GE-MC2-RL-10-50-A100	1.5	100 - 500	100	440	2.65
GE-MC2-RL-10-60-A100	1.5	100 - 600	100	490	2.85
GE-MC2-RL-10-75-A100	1.5	100 - 750	100	560	3.10
GE-MC2-RL-10-90-A100	1.5	100 - 900	100	650	3.50

How to order / Kodlama / Как написать при заказе
 GE-MC1 RL 100 200 A100 HDG
 (Series + Product + Width1 + Width2 + Height + Finish)



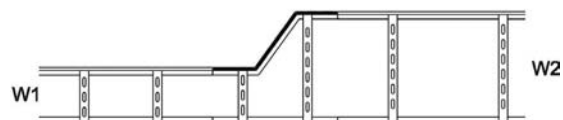
GE-MC2-RR-A100

Right reducer
 Sağa redüksiyon
 Редукции



Part No	T	W1 - W2	A	L	Kg
GE-MC2-RR-10-20-A100	1.5	100 - 200	100	300	2.05
GE-MC2-RR-10-30-A100	1.5	100 - 300	100	340	2.25
GE-MC2-RR-10-40-A100	1.5	100 - 400	100	400	2.45
GE-MC2-RR-10-50-A100	1.5	100 - 500	100	440	2.65
GE-MC2-RR-10-60-A100	1.5	100 - 600	100	490	2.85
GE-MC2-RR-10-75-A100	1.5	100 - 750	100	560	3.10
GE-MC2-RR-10-90-A100	1.5	100 - 900	100	650	3.50

How to order / Kodlama / Как написать при заказе
 GE-MC1 RR 100 200 A100 HDG
 (Series + Product + Width1 + Width2 + Height + Finish)



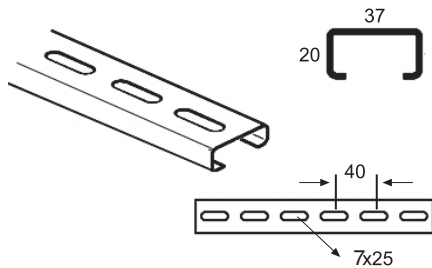
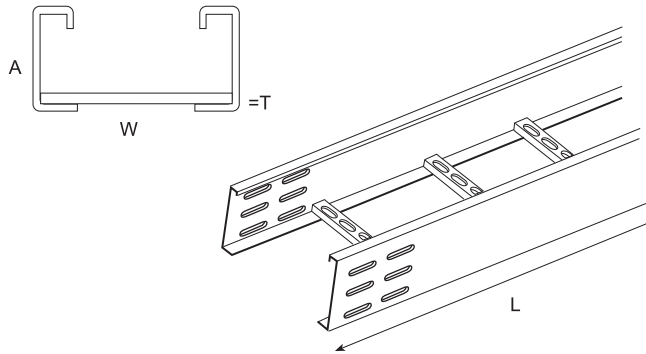
Material options: Stainless steel AISI 304 (L) (A2) / AISI 316 (L) (A4), ST-37-42 Mild Steel, Corten A, Pregalvanized steel, Aluminum
 Finish options : Hot Dip Galvanized to EN 1461, Electrogalvanized to TS 149, Electrostatic Paint Coated, Prime coated
 See material & finish option charts for available product specific selections.

Cable Ladders

125

GE-MC2-A125

Cable ladder, heavy duty
 Kablo merdiveni, ağır hizmet
 Лестничный лоток

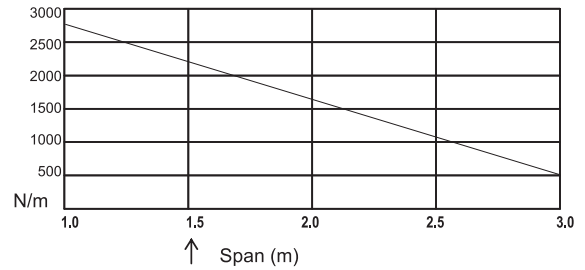


Base holes available upon request.
 İstek üzerine taban delikleri ile imal edilir.
 База доступна дыр по запросу.

Part No	T	W	A	L	Kg/m
GE-MC2-10-A125	2	100	125	3000	6.10
GE-MC2-15-A125	2	150	125	3000	6.30
GE-MC2-20-A125	2	200	125	3000	6.50
GE-MC2-25-A125	2	250	125	3000	6.70
GE-MC2-30-A125	2	300	125	3000	6.90
GE-MC2-40-A125	2	400	125	3000	7.30
GE-MC2-45-A125	2	450	125	3000	7.50
GE-MC2-50-A125	2	500	125	3000	7.70
GE-MC2-60-A125	2	600	125	3000	8.10
GE-MC2-75-A125	2	750	125	3000	8.70
GE-MC2-90-A125	2	900	125	3000	9.30

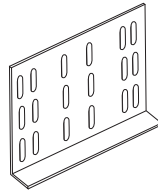
SS4 SS6 HDG EG ESB APB AL

Custom production available upon request.
 İsteğe göre diğer ölçülerde üretim yapılır.
 Возможно изготовление продукции на заказ.



GE-EK-125

Splice plate
 Ek parçası
 Связующий элемент



GE-KC

Fixing set
 Kanal civata takımı
 Комплект винтового соединения



GE-LCN

PVC strip
 PVC conta
 Резиновые прокладки



GE-LCND

PVC strip double
 PVC conta, çiftli
 Резиновые прокладки



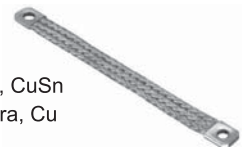
GE-SPRAY-1

Zinc spray
 Çinko sprej
 Спрей цинка



GE-BFEC-4

Flat flexible bar, CuSn
 Yassı esnek bara, Cu
 Провод



Material options: Stainless steel AISI 304 (L) (A2) / AISI 316 (L) (A4), ST-37-42 Mild Steel, Corten A, Pregalvanized steel, Aluminum
 Finish options : Hot Dip Galvanized to EN 1461, Electrogalvanized to TS 149, Electrostatic Paint Coated, Prime coated
 See material & finish option charts for available product specific selections.

Cable Ladders

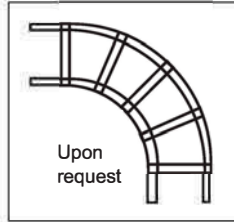
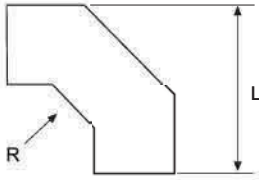
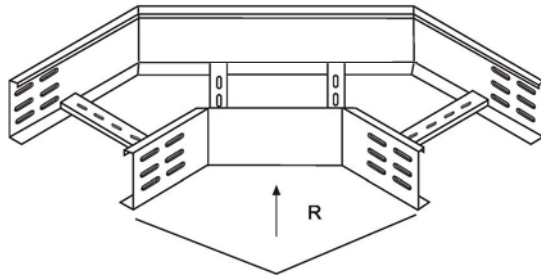
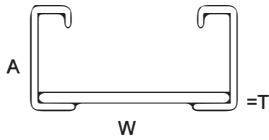
125

GE-MC2-D90-A125

90° flat bend

90° dönüş elemanı

Секция угловая горизонтальная 90°



Part No	T	W	A	L	Kg
GE-MC2-D90-10-A125	2	100	125	260	2.65
GE-MC2-D90-15-A125	2	150	125	310	3.15
GE-MC2-D90-20-A125	2	200	125	360	3.65
GE-MC2-D90-25-A125	2	250	125	410	4.15
GE-MC2-D90-30-A125	2	300	125	460	4.65
GE-MC2-D90-40-A125	2	400	125	560	5.65
GE-MC2-D90-45-A125	2	450	125	610	6.15
GE-MC2-D90-50-A125	2	500	125	660	6.65
GE-MC2-D90-60-A125	2	600	125	760	7.65
GE-MC2-D90-75-A125	2	750	125	910	9.15
GE-MC2-D90-90-A125	2	900	125	1060	10.65

Vertical bends in 90°, 60°, 45°, 30° are available on request.
 90° vertical bend is supplied in standard unless the angle specified when ordering.

90°, 60°, 45°, 30° dönüşler mevcuttur.

Ba•ka ölçü belirtilmedikçe standart 90° teslim edilir.

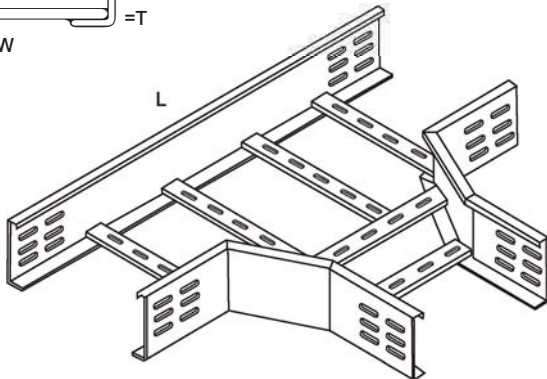
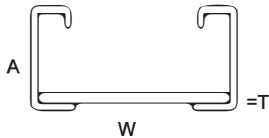
Угловые элементы могут быть изготовлены 90, 60, 45, 30.
 Стандартный размер 90, кроме случаев оговорённых при заказе.

GE-MC2-T-A125

Tee

T elemanı

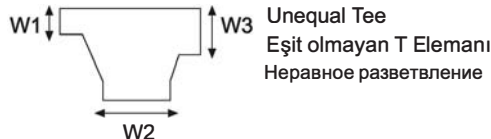
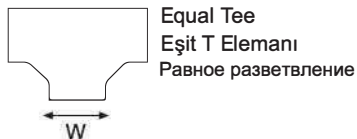
T образное разветвление



Part No	T	W	A	L	Kg
GE-MC2-T-10-A125	2	100	125	420	3.40
GE-MC2-T-15-A125	2	150	125	470	3.80
GE-MC2-T-20-A125	2	200	125	520	4.20
GE-MC2-T-25-A125	2	250	125	570	4.60
GE-MC2-T-30-A125	2	300	125	620	5.00
GE-MC2-T-40-A125	2	400	125	720	5.80
GE-MC2-T-45-A125	2	450	125	770	6.20
GE-MC2-T-50-A125	2	500	125	820	7.00
GE-MC2-T-60-A125	2	600	125	920	8.20
GE-MC2-T-75-A125	2	750	125	1070	10.70
GE-MC2-T-90-A125	2	900	125	1220	12.25

Please specify the widths of unequal tees by drawing.
 Eşit olmayan T' lerde W ölçülerini siparişte belirtiniz.

Укажите размеры W неравного T-образного разветвления.



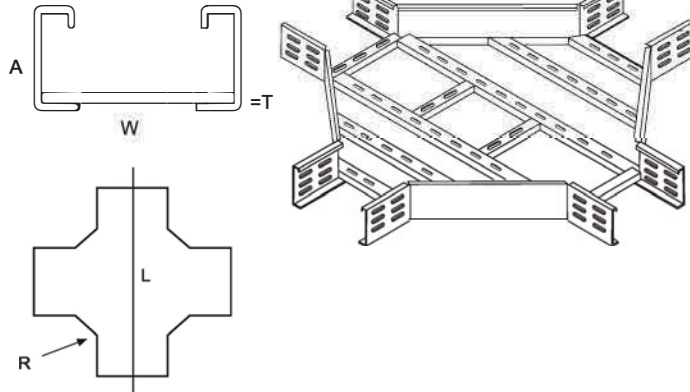
Material options: Stainless steel AISI 304 (L) (A2) / AISI 316 (L) (A4), ST-37-42 Mild Steel, Corten A, Pregalvanized steel, Aluminum
 Finish options : Hot Dip Galvanized to EN 1461, Electrogalvanized to TS 149, Electrostatic Paint Coated, Prime coated
 See material & finish option charts for available product specific selections.

Cable Ladders

125

GE-MC2-DB-A125

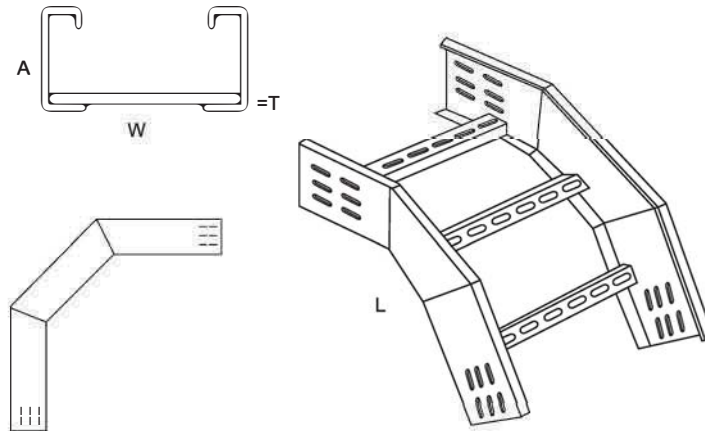
Crossing
 Dörtlü Bağlantı Elemanı
 Секция крестообразная



Part No	T	W	A	L	Kg
GE-MC2-DB-10-A125	2	100	125	420	4.80
GE-MC2-DB-15-A125	2	150	125	470	5.20
GE-MC2-DB-20-A125	2	200	125	520	5.60
GE-MC2-DB-25-A125	2	250	125	570	6.00
GE-MC2-DB-30-A125	2	300	125	620	6.40
GE-MC2-DB-40-A125	2	400	125	720	6.80
GE-MC2-DB-45-A125	2	450	125	770	7.20
GE-MC2-DB-50-A125	2	500	125	820	7.60
GE-MC2-DB-60-A125	2	600	125	920	8.00
GE-MC2-DB-75-A125	2	750	125	1070	12.70
GE-MC2-DB-90-A125	2	900	125	1220	14.50

GE-MC2-OB90-A125

90° vertical bend, outside
 90° dış bükey elemanı
 Внешний угловой элемент 90°



Part No	T	W	A	L	Kg
GE-MC2-OB90-10-A125	2	100	125	540	5.00
GE-MC2-OB90-15-A125	2	150	125	540	5.20
GE-MC2-OB90-20-A125	2	200	125	540	5.40
GE-MC2-OB90-25-A125	2	250	125	540	5.60
GE-MC2-OB90-30-A125	2	300	125	540	5.80
GE-MC2-OB90-40-A125	2	400	125	540	6.20
GE-MC2-OB90-45-A125	2	450	125	540	6.40
GE-MC2-OB90-50-A125	2	500	125	540	6.60
GE-MC2-OB90-60-A125	2	600	125	540	7.00
GE-MC2-OB90-75-A125	2	750	125	540	7.60
GE-MC2-OB90-90-A125	2	900	125	540	8.20

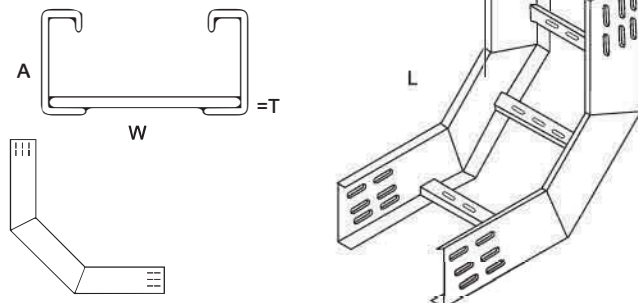
Vertical bends in 90°, 60°, 45°, 30° are available on request.
 90° vertical bend is supplied in standard unless the angle specified when ordering.

90°, 60°, 45°, 30° dönüşler mevcuttur.
 Başka ölçü belirtilmedikçe standart 90° teslim edilir.

Угловые элементы могут быть изготовлены 90, 60, 45, 30.
 Стандартный размер 90, кроме случаев оговорённых при заказе.

GE-MC2-IB90-A125

90° vertical bend, inside
 90° iç bükey elemanı
 Внутренний угловой элемент 90°



Part No	T	W	A	L	Kg
GE-MC2-IB90-10-A125	2	100	125	540	5.00
GE-MC2-IB90-15-A125	2	150	125	540	5.20
GE-MC2-IB90-20-A125	2	200	125	540	5.40
GE-MC2-IB90-25-A125	2	250	125	540	5.60
GE-MC2-IB90-30-A125	2	300	125	540	5.80
GE-MC2-IB90-40-A125	2	400	125	540	6.20
GE-MC2-IB90-45-A125	2	450	125	540	6.40
GE-MC2-IB90-50-A125	2	500	125	540	6.60
GE-MC2-IB90-60-A125	2	600	125	540	7.00
GE-MC2-IB90-75-A125	2	750	125	540	7.60
GE-MC2-IB90-90-A125	2	900	125	540	8.20

Material options: Stainless steel AISI 304 (L) (A2) / AISI 316 (L) (A4), ST-37-42 Mild Steel, Corten A, Pregalvanized steel, Aluminum
 Finish options : Hot Dip Galvanized to EN 1461, Electrogalvanized to TS 149, Electrostatic Paint Coated, Prime coated
 See material & finish option charts for available product specific selections.

Cable Ladders

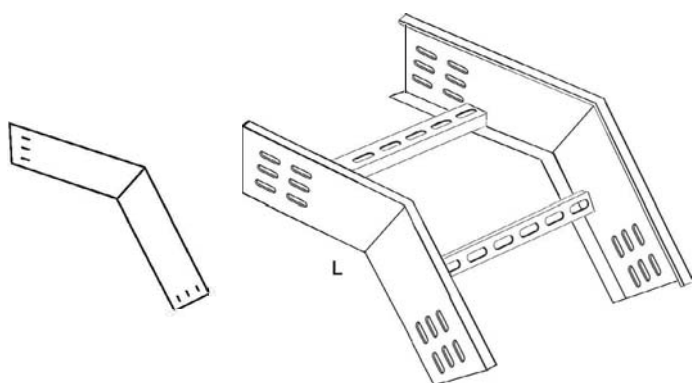
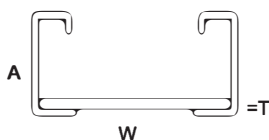
125

GE-MC2-OB45-A125

45° vertical bend, outside

45° dış bükey elemanı

Внешний угловой элемент 45°



Part No	T	W	A	L	Kg
GE-MC2-OB45-10-A125	2	100	125	450	2.85
GE-MC2-OB45-15-A125	2	150	125	450	3.00
GE-MC2-OB45-20-A125	2	200	125	450	3.15
GE-MC2-OB45-25-A125	2	250	125	450	3.30
GE-MC2-OB45-30-A125	2	300	125	450	3.45
GE-MC2-OB45-40-A125	2	400	125	450	3.75
GE-MC2-OB45-45-A125	2	450	125	450	3.90
GE-MC2-OB45-50-A125	2	500	125	450	4.05
GE-MC2-OB45-60-A125	2	600	125	450	4.35
GE-MC2-OB45-75-A125	2	750	125	450	4.80
GE-MC2-OB45-90-A125	2	900	125	450	5.25

Vertical bends in 90°, 60°, 45°, 30° are available on request.
 90° vertical bend is supplied in standard unless the angle specified when ordering.

90°, 60°, 45°, 30° dönüşler mevcuttur.

Başka ölçü belirtilmedikçe standart 90° teslim edilir.

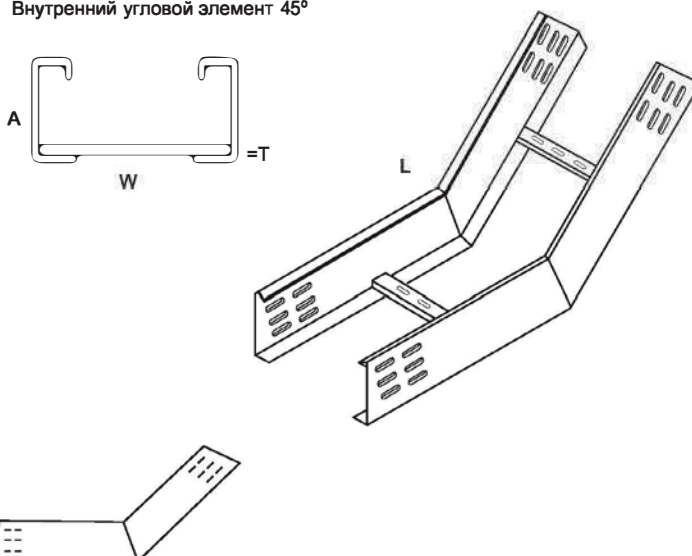
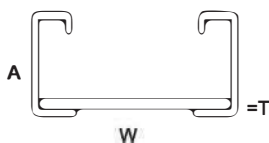
Угловые элементы могут быть изготовлены 90, 60, 45, 30.
 Стандартный размер 90, кроме случаев оговорённых при заказе.

GE-MC2-IB45-A125

45° vertical bend, inside

45° iç bükey elemanı

Внутренний угловой элемент 45°



Part No	T	W	A	L	Kg
GE-MC2-IB45-10-A125	2	100	125	450	2.85
GE-MC2-IB45-15-A125	2	150	125	450	3.00
GE-MC2-IB45-20-A125	2	200	125	450	3.15
GE-MC2-IB45-25-A125	2	250	125	450	3.30
GE-MC2-IB45-30-A125	2	300	125	450	3.45
GE-MC2-IB45-40-A125	2	400	125	450	3.75
GE-MC2-IB45-45-A125	2	450	125	450	3.90
GE-MC2-IB45-50-A125	2	500	125	450	4.05
GE-MC2-IB45-60-A125	2	600	125	450	4.35
GE-MC2-IB45-75-A125	2	750	125	450	4.80
GE-MC2-IB45-90-A125	2	900	125	450	5.25

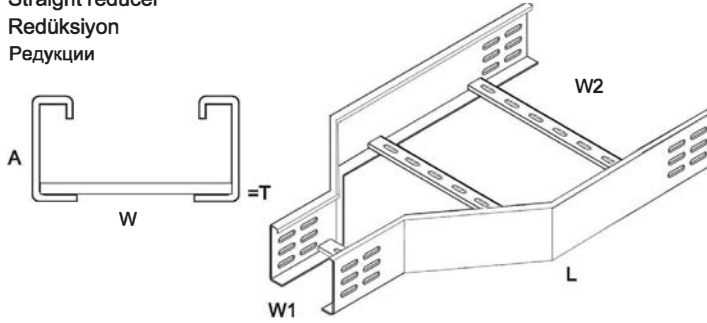
Material options: Stainless steel AISI 304 (L) (A2) / AISI 316 (L) (A4), ST-37-42 Mild Steel, Corten A, Pregalvanized steel, Aluminum
 Finish options : Hot Dip Galvanized to EN 1461, Electrogalvanized to TS 149, Electrostatic Paint Coated, Prime coated
 See material & finish option charts for available product specific selections.

Cable Ladders

125

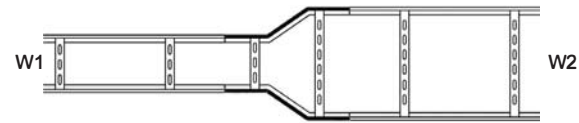
GE-MC2-R-A125

Straight reducer
 Redüksiyon
 Редукции



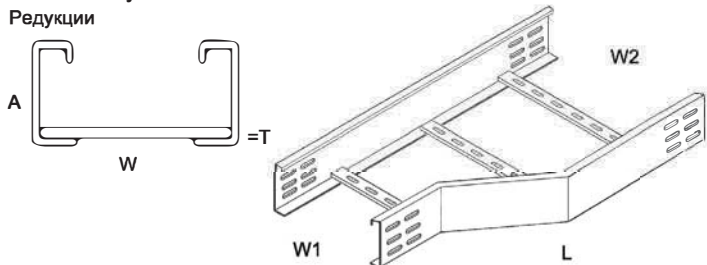
Part No	T	W1 - W2	A	L	Kg
GE-MC2-R-10-20-A125	2	100 - 200	125	300	2.00
GE-MC2-R-10-30-A125	2	100 - 300	125	340	2.40
GE-MC2-R-10-40-A125	2	100 - 400	125	400	2.90
GE-MC2-R-10-50-A125	2	100 - 500	125	440	3.40
GE-MC2-R-10-60-A125	2	100 - 600	125	490	3.95
GE-MC2-R-10-75-A125	2	100 - 750	125	560	4.65
GE-MC2-R-10-90-A125	2	100 - 900	125	650	5.30

How to order / Kodlama / Как написать при заказе
 GE-MC2 R 100 200 A125 HDG
 (Series + Product + Width1 + Width2 + Height + Finish)



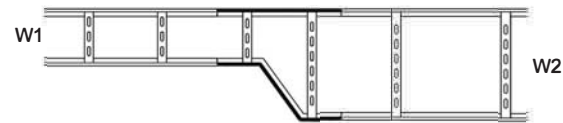
GE-MC2-RL-A125

Left reducer
 Sola redüksiyon
 Редукции



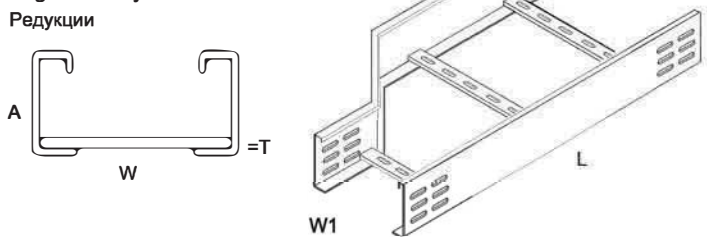
Part No	T	W1 - W2	A	L	Kg
GE-MC2-RL-10-20-A125	2	100 - 200	125	300	2.00
GE-MC2-RL-10-30-A125	2	100 - 300	125	340	2.40
GE-MC2-RL-10-40-A125	2	100 - 400	125	400	2.90
GE-MC2-RL-10-50-A125	2	100 - 500	125	440	3.40
GE-MC2-RL-10-60-A125	2	100 - 600	125	490	3.95
GE-MC2-RL-10-75-A125	2	100 - 750	125	560	4.65
GE-MC2-RL-10-90-A125	2	100 - 900	125	650	5.30

How to order / Kodlama / Как написать при заказе
 GE-MC2 RL 100 200 A125 HDG
 (Series + Product + Width1 + Width2 + Height + Finish)



GE-MC2-RR-A125

Right reducer
 Sağa redüksiyon
 Редукции



Part No	T	W1 - W2	A	L	Kg
GE-MC2-RR-10-20-A125	2	100 - 200	125	300	2.00
GE-MC2-RR-10-30-A125	2	100 - 300	125	340	2.40
GE-MC2-RR-10-40-A125	2	100 - 400	125	400	2.90
GE-MC2-RR-10-50-A125	2	100 - 500	125	440	3.40
GE-MC2-RR-10-60-A125	2	100 - 600	125	490	3.95
GE-MC2-RR-10-75-A125	2	100 - 750	125	560	4.65
GE-MC2-RR-10-90-A125	2	100 - 900	125	650	5.30

How to order / Kodlama / Как написать при заказе
 GE-MC2 RR 100 200 A125 HDG
 (Series + Product + Width1 + Width2 + Height + Finish)



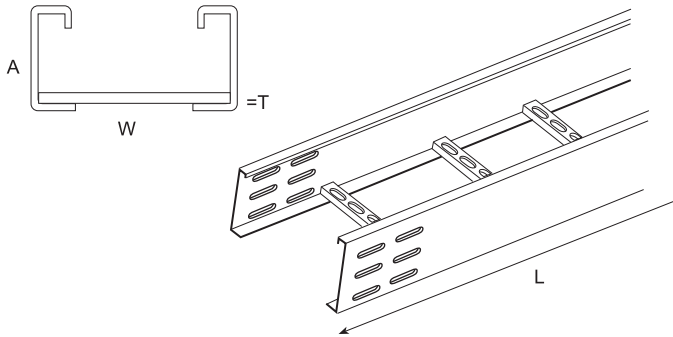
Material options: Stainless steel AISI 304 (L) (A2) / AISI 316 (L) (A4), ST-37-42 Mild Steel, Corten A, Pregalvanized steel, Aluminum
 Finish options : Hot Dip Galvanized to EN 1461, Electrogalvanized to TS 149, Electrostatic Paint Coated, Prime coated
 See material & finish option charts for available product specific selections.

Cable Ladders

150

GE-MC2-A150

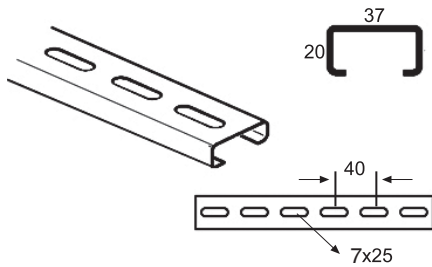
Cable ladder, heavy duty
 Kablo merdiveni, ağır hizmet
 Лестничный лоток



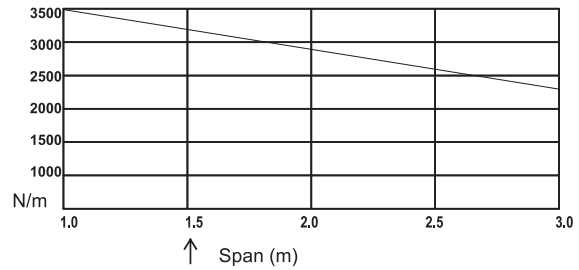
Part No	T	W	A	L	Kg/m
GE-MC2-10-A150	2	100	150	3000	7.10
GE-MC2-15-A150	2	150	150	3000	7.30
GE-MC2-20-A150	2	200	150	3000	7.50
GE-MC2-25-A150	2	250	150	3000	7.70
GE-MC2-30-A150	2	300	150	3000	7.90
GE-MC2-40-A150	2	400	150	3000	8.30
GE-MC2-45-A150	2	450	150	3000	8.50
GE-MC2-50-A150	2	500	150	3000	8.70
GE-MC2-60-A150	2	600	150	3000	9.10
GE-MC2-75-A150	2	750	150	3000	9.70
GE-MC2-90-A150	2	900	150	3000	10.30

SS4 SS6 HDG EG ESB APB AL

Custom production available upon request.
 İsteğe göre diğer ölçülerde üretim yapılır.
 Возможно изготовление продукции на заказ.

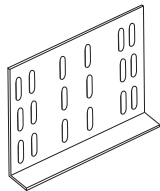


Base holes available upon request.
 İstek üzerine taban delikleri ile imal edilir.
 База доступна дыр по запросу.



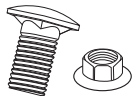
GE-EK-150

Splice plate
 Ek parçası
 Связующий элемент



GE-KC

Fixing set
 Kanal civata takımı
 Комплект винтового соединения



GE-LCN

PVC strip
 PVC conta
 Резиновые прокладки



GE-LCND

PVC strip double
 PVC conta, çiftli
 Резиновые прокладки



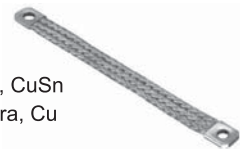
GE-SPRAY-1

Zinc spray
 Çinko sprej
 Спрей цинка



GE-BFEC-4

Flat flexible bar, CuSn
 Yassı esnek bara, Cu
 Провод



Material options: Stainless steel AISI 304 (L) (A2) / AISI 316 (L) (A4), ST-37-42 Mild Steel, Corten A, Pregalvanized steel, Aluminum
 Finish options : Hot Dip Galvanized to EN 1461, Electrogalvanized to TS 149, Electrostatic Paint Coated, Prime coated
 See material & finish option charts for available product specific selections.

Cable Ladders

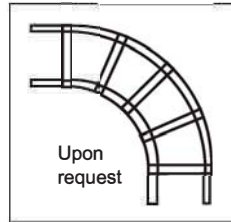
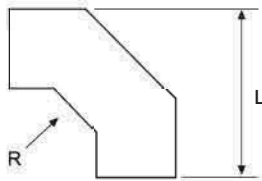
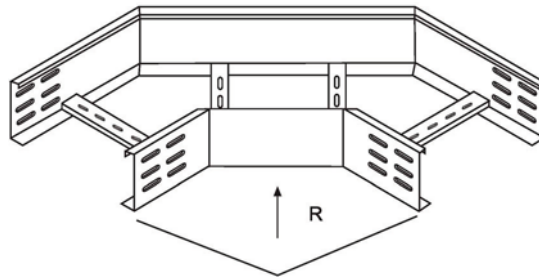
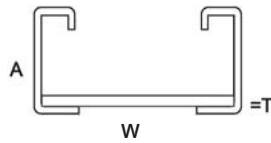
150

GE-MC2-D90-A150

90° flat bend

90° dönüş elemanı

Секция угловая горизонтальная 90°



Part No	T	W	A	L	Kg
GE-MC2-D90-10-A150	2	100	150	260	2.95
GE-MC2-D90-15-A150	2	150	150	310	3.40
GE-MC2-D90-20-A150	2	200	150	360	3.85
GE-MC2-D90-25-A150	2	250	150	410	4.30
GE-MC2-D90-30-A150	2	300	150	460	4.75
GE-MC2-D90-40-A150	2	400	150	560	5.70
GE-MC2-D90-45-A150	2	450	150	610	6.15
GE-MC2-D90-50-A150	2	500	150	660	6.60
GE-MC2-D90-60-A150	2	600	150	760	7.50
GE-MC2-D90-75-A150	2	750	150	910	8.90
GE-MC2-D90-90-A150	2	900	150	1060	10.20

Vertical bends in 90°, 60°, 45°, 30° are available on request.
 90° vertical bend is supplied in standard unless the angle specified when ordering.

90°, 60°, 45°, 30° dönüşler mevcuttur.

Başka ölçü belirtilmedikçe standart 90° teslim edilir.

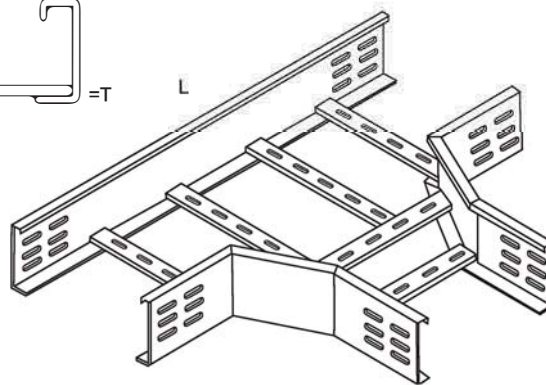
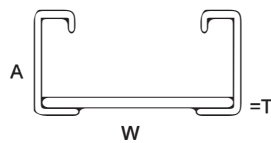
Угловые элементы могут быть изготовлены 90, 60, 45, 30.
 Стандартный размер 90, кроме случаев оговорённых при заказе.

GE-MC2-T-A150

Tee

T elemanı

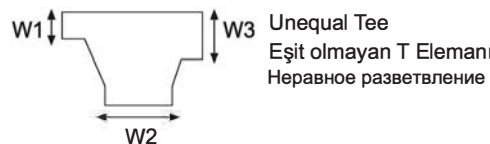
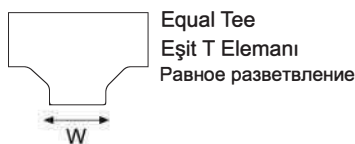
T образное разветвление



Part No	T	W	A	L	Kg
GE-MC2-T-10-A150	2	100	150	420	4.00
GE-MC2-T-15-A150	2	150	150	470	4.35
GE-MC2-T-20-A150	2	200	150	520	4.70
GE-MC2-T-25-A150	2	250	150	570	5.10
GE-MC2-T-30-A150	2	300	150	620	5.90
GE-MC2-T-40-A150	2	400	150	720	6.80
GE-MC2-T-45-A150	2	450	150	770	7.75
GE-MC2-T-50-A150	2	500	150	820	7.90
GE-MC2-T-60-A150	2	600	150	920	9.60
GE-MC2-T-75-A150	2	750	150	1070	11.60
GE-MC2-T-90-A150	2	900	150	1220	12.60

Please specify the widths of unequal tees by drawing.
 Eşit olmayan T' lerde W ölçülerini siparişte belirtiniz.

Укажите размеры W неравного T-образного разветвления.



Material options: Stainless steel AISI 304 (L) (A2) / AISI 316 (L) (A4), ST-37-42 Mild Steel, Corten A, Pregalvanized steel, Aluminum
Finish options : Hot Dip Galvanized to EN 1461, Electrogalvanized to TS 149, Electrostatic Paint Coated, Prime coated
See material & finish option charts for available product specific selections.

Cable Ladders

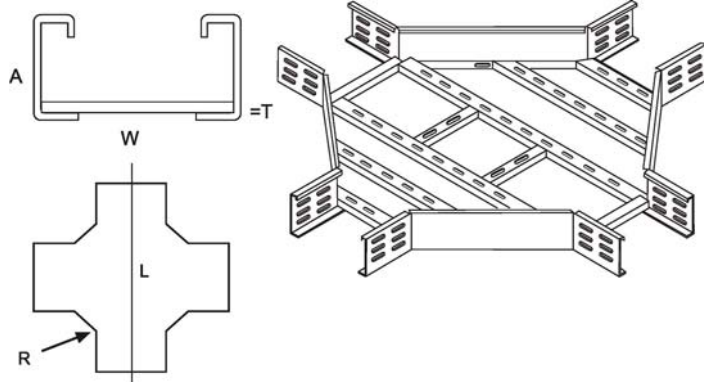
150

GE-MC2-DB-A150

Crossing

Dörtlü Bağlantı Elemanı

Секция крестообразная



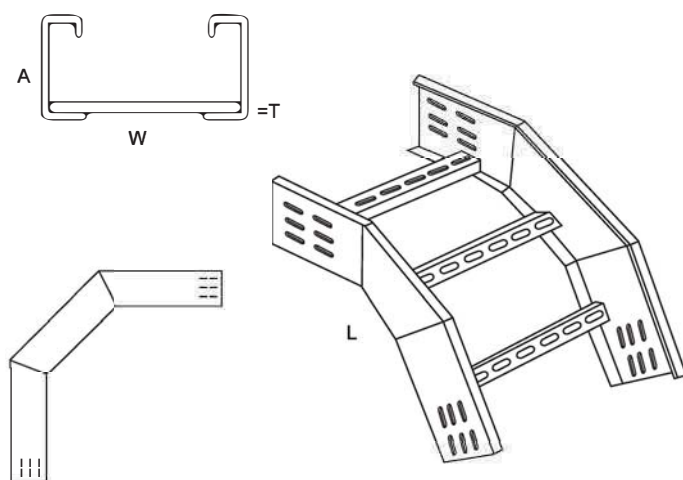
Part No	T	W	A	L	Kg
GE-MC2-DB-10-A150	2	100	150	420	4.75
GE-MC2-DB-15-A150	2	150	150	470	5.10
GE-MC2-DB-20-A150	2	200	150	520	5.45
GE-MC2-DB-25-A150	2	250	150	570	5.80
GE-MC2-DB-30-A150	2	300	150	620	6.15
GE-MC2-DB-40-A150	2	400	150	720	6.85
GE-MC2-DB-45-A150	2	450	150	770	7.20
GE-MC2-DB-50-A150	2	500	150	820	7.60
GE-MC2-DB-60-A150	2	600	150	920	9.10
GE-MC2-DB-75-A150	2	750	150	1070	10.30
GE-MC2-DB-90-A150	2	900	150	1220	11.60

GE-MC2-OB90-A150

90° vertical bend, outside

90° dış bükey elemanı

Внешний угловой элемент 90°



Part No	T	W	A	L	Kg
GE-MC2-OB90-10-A150	2	100	150	540	5.40
GE-MC2-OB90-15-A150	2	150	150	540	5.60
GE-MC2-OB90-20-A150	2	200	150	540	5.80
GE-MC2-OB90-25-A150	2	250	150	540	6.00
GE-MC2-OB90-30-A150	2	300	150	540	6.20
GE-MC2-OB90-40-A150	2	400	150	540	6.60
GE-MC2-OB90-45-A150	2	450	150	540	6.80
GE-MC2-OB90-50-A150	2	500	150	540	7.00
GE-MC2-OB90-60-A150	2	600	150	540	7.40
GE-MC2-OB90-75-A150	2	750	150	540	8.00
GE-MC2-OB90-90-A150	2	900	150	540	8.60

Vertical bends in 90°, 60°, 45°, 30° are available on request.
90° vertical bend is supplied in standard unless the angle specified when ordering.

90°, 60°, 45°, 30° dönüşler mevcuttur.

Başka ölçü belirtilmedikçe standart 90° teslim edilir.

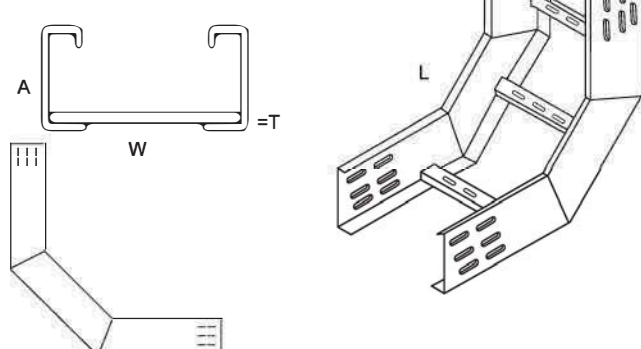
Угловые элементы могут быть изготовлены 90, 60, 45, 30.
Стандартный размер 90, кроме случаев оговорённых при заказе.

GE-MC2-IB90-A150

90° vertical bend, inside

90° iç bükey elemanı

Внутренний угловой элемент 90°



Part No	T	W	A	L	Kg
GE-MC2-IB90-10-A150	2	100	150	540	5.40
GE-MC2-IB90-15-A150	2	150	150	540	5.60
GE-MC2-IB90-20-A150	2	200	150	540	5.80
GE-MC2-IB90-25-A150	2	250	150	540	6.00
GE-MC2-IB90-30-A150	2	300	150	540	6.20
GE-MC2-IB90-40-A150	2	400	150	540	6.60
GE-MC2-IB90-45-A150	2	450	150	540	6.80
GE-MC2-IB90-50-A150	2	500	150	540	7.00
GE-MC2-IB90-60-A150	2	600	150	540	7.40
GE-MC2-IB90-75-A150	2	750	150	540	8.00
GE-MC2-IB90-90-A150	2	900	150	540	8.60

Material options: Stainless steel AISI 304 (L) (A2) / AISI 316 (L) (A4), ST-37-42 Mild Steel, Corten A, Pregalvanized steel, Aluminum
 Finish options : Hot Dip Galvanized to EN 1461, Electrogalvanized to TS 149, Electrostatic Paint Coated, Prime coated
 See material & finish option charts for available product specific selections.

Cable Ladders

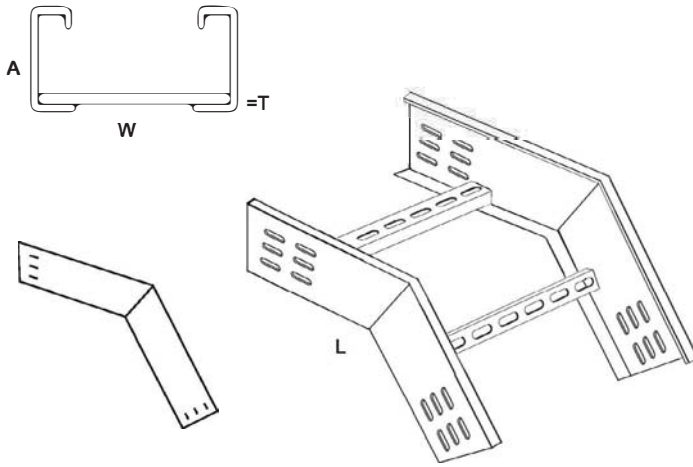
150

GE-MC2-OB45-A150

45° vertical bend, outside

45° dış bükey elemanı

Внешний угловой элемент 45°



Part No	T	W	A	L	Kg
GE-MC2-OB45-10-A150	2	100	150	450	4.30
GE-MC2-OB45-15-A150	2	150	150	450	4.50
GE-MC2-OB45-20-A150	2	200	150	450	4.70
GE-MC2-OB45-25-A150	2	250	150	450	4.90
GE-MC2-OB45-30-A150	2	300	150	450	5.10
GE-MC2-OB45-40-A150	2	400	150	450	5.50
GE-MC2-OB45-45-A150	2	450	150	450	5.70
GE-MC2-OB45-50-A150	2	500	150	450	5.90
GE-MC2-OB45-60-A150	2	600	150	450	6.30
GE-MC2-OB45-75-A150	2	750	150	450	6.90
GE-MC2-OB45-90-A150	2	900	150	450	7.50

Vertical bends in 90°, 60°, 45°, 30° are available on request.
 90° vertical bend is supplied in standard unless the angle specified when ordering.

90°, 60°, 45°, 30° dönüşler mevcuttur.

Başka ölçü belirtilmedikçe standart 90° teslim edilir.

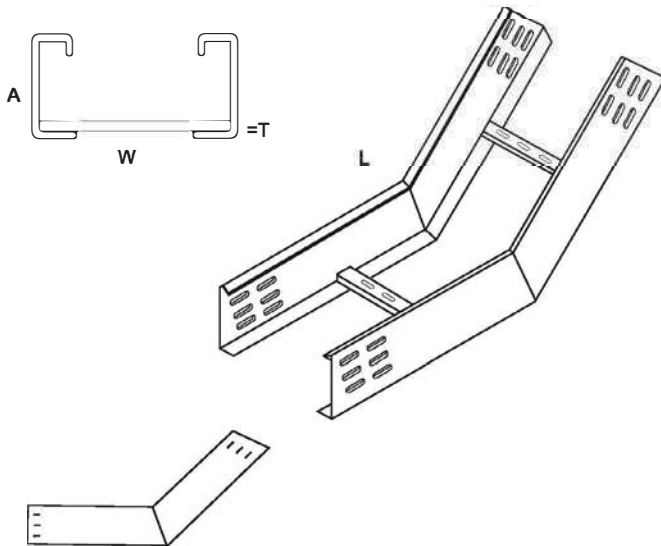
Угловые элементы могут быть изготовлены 90, 60, 45, 30.
 Стандартный размер 90, кроме случаев оговорённых при заказе.

GE-MC2-IB45-A150

45° vertical bend, inside

45° iç bükey elemanı

Внутренний угловой элемент 45°



Part No	T	W	A	L	Kg
GE-MC2-IB45-10-A150	2	100	150	450	4.30
GE-MC2-IB45-15-A150	2	150	150	450	4.50
GE-MC2-IB45-20-A150	2	200	150	450	4.70
GE-MC2-IB45-25-A150	2	250	150	450	4.90
GE-MC2-IB45-30-A150	2	300	150	450	5.10
GE-MC2-IB45-40-A150	2	400	150	450	5.50
GE-MC2-IB45-45-A150	2	450	150	450	5.70
GE-MC2-IB45-50-A150	2	500	150	450	5.90
GE-MC2-IB45-60-A150	2	600	150	450	6.30
GE-MC2-IB45-75-A150	2	750	150	450	6.90
GE-MC2-IB45-90-A150	2	900	150	450	7.50

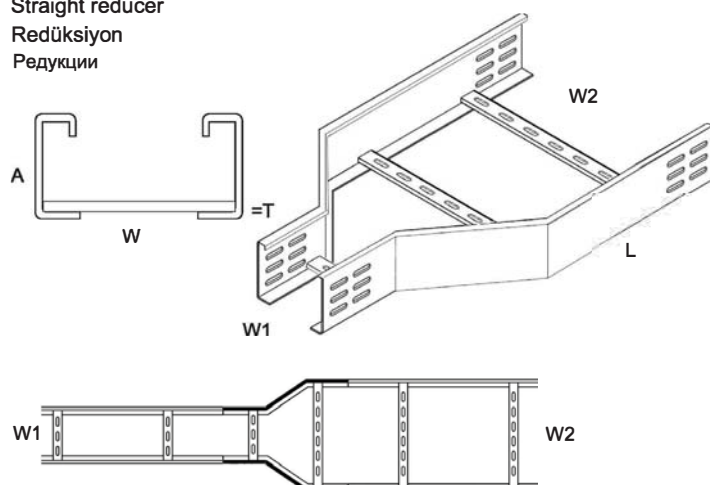
Material options: Stainless steel AISI 304 (L) (A2) / AISI 316 (L) (A4), ST-37-42 Mild Steel, Corten A, Pregalvanized steel, Aluminum
 Finish options : Hot Dip Galvanized to EN 1461, Electrogalvanized to TS 149, Electrostatic Paint Coated, Prime coated
 See material & finish option charts for available product specific selections.

Cable Ladders

150

GE-MC2-R-A150

Straight reducer
 Redüksiyon
 Редукции



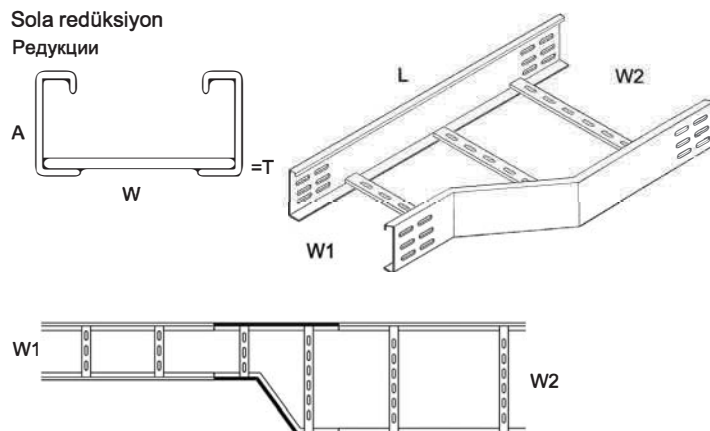
Part No	T	W1 - W2	A	L	Kg
GE-MC2-R-10-20-A150	2	100 - 200	150	300	2.90
GE-MC2-R-10-30-A150	2	100 - 300	150	340	3.00
GE-MC2-R-10-40-A150	2	100 - 400	150	400	3.10
GE-MC2-R-10-50-A150	2	100 - 500	150	440	3.20
GE-MC2-R-10-60-A150	2	100 - 600	150	490	3.30
GE-MC2-R-10-75-A150	2	100 - 750	150	560	3.40
GE-MC2-R-10-90-A150	2	100 - 900	150	650	3.50

How to order / Kodlama / Как написать при заказе

GE-MC2 R 100 200 A150 HDG
 (Series + Product + Width1 + Width2 + Height + Finish)

GE-MC2-RL-A150

Left reducer
 Sola redüksiyon
 Редукции



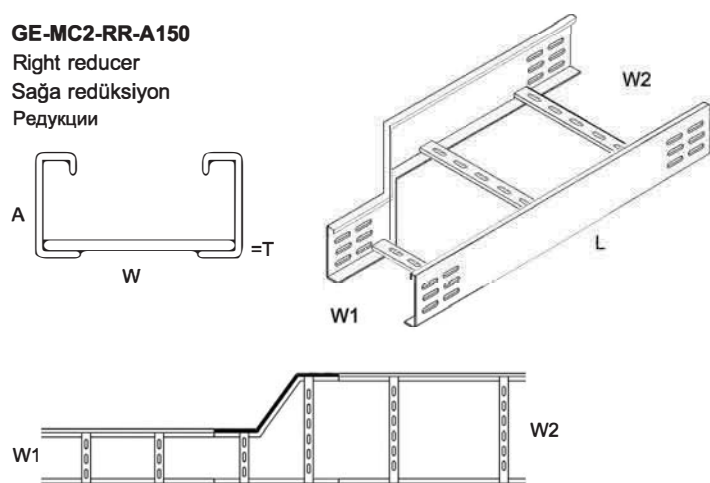
Part No	T	W1 - W2	A	L	Kg
GE-MC2-RL-10-20-A150	2	100 - 200	150	300	2.90
GE-MC2-RL-10-30-A150	2	100 - 300	150	340	3.00
GE-MC2-RL-10-40-A150	2	100 - 400	150	400	3.10
GE-MC2-RL-10-50-A150	2	100 - 500	150	440	3.20
GE-MC2-RL-10-60-A150	2	100 - 600	150	490	3.30
GE-MC2-RL-10-75-A150	2	100 - 750	150	560	3.40
GE-MC2-RL-10-90-A150	2	100 - 900	150	650	3.50

How to order / Kodlama / Как написать при заказе

GE-MC2 RL 100 200 A150 HDG
 (Series + Product + Width1 + Width2 + Height + Finish)

GE-MC2-RR-A150

Right reducer
 Sağa redüksiyon
 Редукции



Part No	T	W1 - W2	A	L	Kg
GE-MC2-RR-10-20-A150	2	100 - 200	150	300	2.90
GE-MC2-RR-10-30-A150	2	100 - 300	150	340	3.00
GE-MC2-RR-10-40-A150	2	100 - 400	150	400	3.10
GE-MC2-RR-10-50-A150	2	100 - 500	150	440	3.20
GE-MC2-RR-10-60-A150	2	100 - 600	150	490	3.30
GE-MC2-RR-10-75-A150	2	100 - 750	150	560	3.40
GE-MC2-RR-10-90-A150	2	100 - 900	150	650	3.50

How to order / Kodlama / Как написать при заказе

GE-MC2 RR 100 200 A150 HDG
 (Series + Product + Width1 + Width2 + Height + Finish)

Material options: Stainless steel AISI 304 (L) (A2) / AISI 316 (L) (A4), ST-37-42 Mild Steel, Corten A, Pregalvanized steel, Aluminum
 Finish options : Hot Dip Galvanized to EN 1461, Electrogalvanized to TS 149, Electrostatic Paint Coated, Prime coated
 See material & finish option charts for available product specific selections.

Cable Ladders

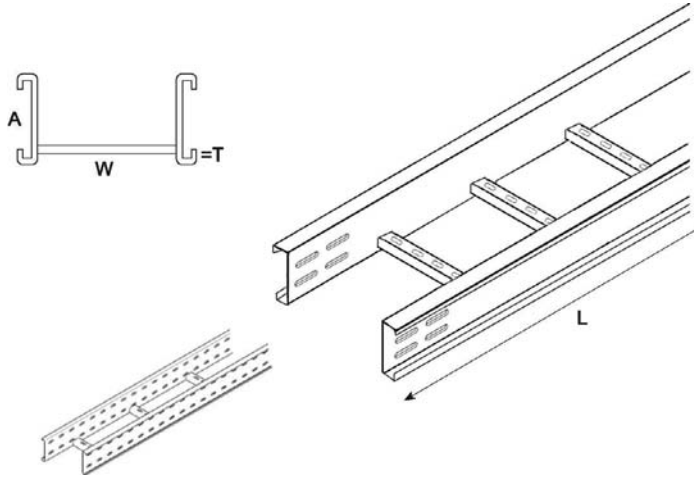
100

GE-MX-A100

Out-flanged cable ladder

Dışa bükümlü kablo merdiveni

GE-MX-A100 Лестничный лоток

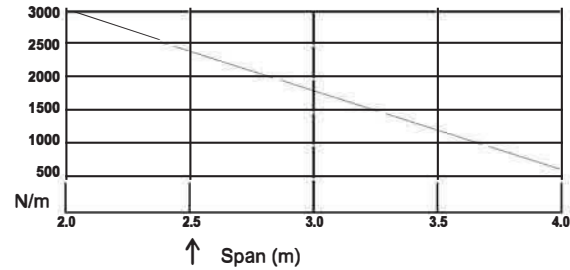


Base holes available upon request.
 İstek üzerine taban delikleri ile imal edilir.
 База доступна дыр по запросу.

Part No	T	W	A	L	Kg/m
GE-MX-10-A100	2	100	100	3000	5.70
GE-MX-15-A100	2	150	100	3000	5.90
GE-MX-20-A100	2	200	100	3000	6.10
GE-MX-25-A100	2	250	100	3000	6.30
GE-MX-30-A100	2	300	100	3000	6.50
GE-MX-40-A100	2	400	100	3000	6.90
GE-MX-45-A100	2	450	100	3000	7.10
GE-MX-50-A100	2	500	100	3000	7.30
GE-MX-60-A100	2	600	100	3000	7.70
GE-MX-75-A100	2	750	100	3000	8.30
GE-MX-90-A100	2	900	100	3000	8.90

(SS4) (SS6) (HDG) (EG) (ESB) (APB) (AL)

Custom production available upon request.
 İsteğe göre diğer ölçülerde üretim yapılır.
 Возможно изготовление продукции на заказ.



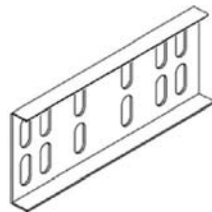
GE-EKX

Coupler

Ek parçası

Связующий элемент

Part No	T	A	Kg
GE-EKX-100	2	100	0.54



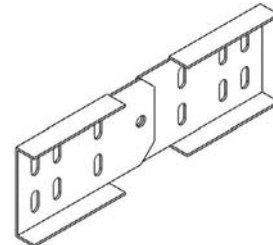
GE-SDX

Hinge plate

Seviye değiştirme

Регулятор уровня

Part No	Kg
GE-SDX-100	0.74



Material options: Stainless steel AISI 304 (L) (A2) / AISI 316 (L) (A4), ST-37-42 Mild Steel, Corten A, Pregalvanized steel, Aluminum
 Finish options : Hot Dip Galvanized to EN 1461, Electrogalvanized to TS 149, Electrostatic Paint Coated, Prime coated
 See material & finish option charts for available product specific selections.

Cable Ladders

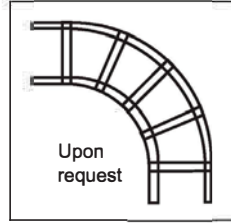
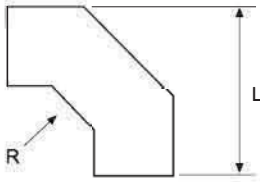
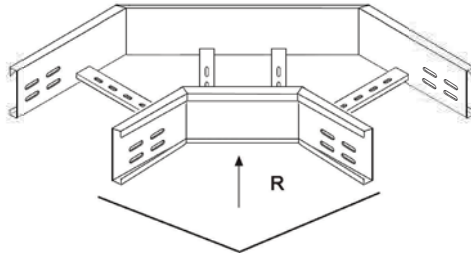
100

GE-MX-D90-A100

90° flat bend

90° dönüş elemanı

Секция угловая горизонтальная 90°



Part No	T	W	A	L	Kg
GE-MX-D90-10-A100	2	100	100	260	2.50
GE-MX-D90-15-A100	2	150	100	310	2.90
GE-MX-D90-20-A100	2	200	100	360	3.30
GE-MX-D90-25-A100	2	250	100	410	3.80
GE-MX-D90-30-A100	2	300	100	460	4.20
GE-MX-D90-40-A100	2	400	100	560	5.70
GE-MX-D90-45-A100	2	450	100	610	6.10
GE-MX-D90-50-A100	2	500	100	660	6.60
GE-MX-D90-60-A100	2	600	100	760	7.60
GE-MX-D90-75-A100	2	750	100	910	9.10
GE-MX-D90-90-A100	2	900	100	1060	10.70

Vertical bends in 90°, 60°, 45°, 30° are available on request.
 90° vertical bend is supplied in standard unless the angle specified when ordering.

90°, 60°, 45°, 30° dönüşler mevcuttur.

Başka ölçü belirtilmedikçe standart 90° teslim edilir.

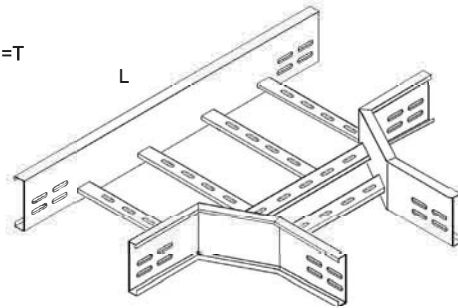
Угловые элементы могут быть изготовлены 90, 60, 45, 30. Стандартный размер 90, кроме случаев оговорённых при заказе.

GE-MX-T-A100

Tee

T elemanı

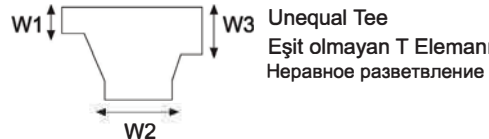
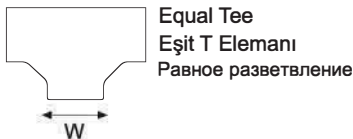
T образное разветвление



Part No	T	W	A	L	Kg
GE-MX-T-10-A100	2	100	100	420	3.20
GE-MX-T-15-A100	2	150	100	470	3.60
GE-MX-T-20-A100	2	200	100	520	4.00
GE-MX-T-25-A100	2	250	100	570	4.40
GE-MX-T-30-A100	2	300	100	620	4.80
GE-MX-T-40-A100	2	400	100	720	5.60
GE-MX-T-45-A100	2	450	100	770	6.00
GE-MX-T-50-A100	2	500	100	820	6.40
GE-MX-T-60-A100	2	600	100	920	8.35
GE-MX-T-75-A100	2	750	100	1070	9.85
GE-MX-T-90-A100	2	900	100	1220	11.35

Please specify the widths of unequal tees by drawing.
 Eşit olmayan T' lerde W ölçülerini siparişte belirtiniz.

Укажите размеры W неравного T-образного разветвления.



Material options: Stainless steel AISI 304 (L) (A2) / AISI 316 (L) (A4), ST-37-42 Mild Steel, Corten A, Pregalvanized steel, Aluminum
 Finish options : Hot Dip Galvanized to EN 1461, Electro galvanized to TS 149, Electrostatic Paint Coated, Prime coated
 See material & finish option charts for available product specific selections.

Cable Ladders

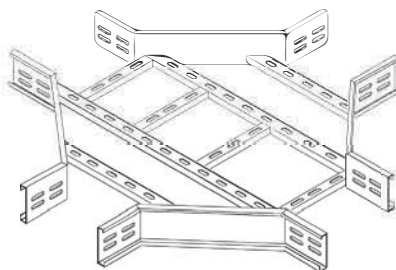
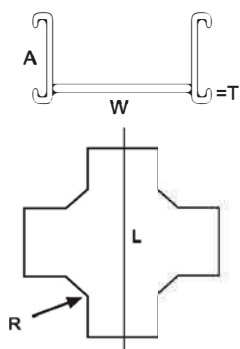
100

GE-MX-DB-A100

Crossing

Dörtlü Bağlantı Elemanı

Секция крестообразная



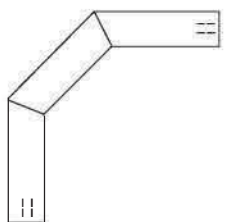
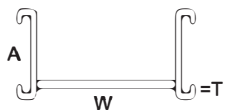
Part No	T	W	A	L	Kg
GE-MX-DB-10-A100	2	100	100	420	4.10
GE-MX-DB-15-A100	2	150	100	470	4.50
GE-MX-DB-20-A100	2	200	100	520	4.90
GE-MX-DB-25-A100	2	250	100	570	5.30
GE-MX-DB-30-A100	2	300	100	620	5.70
GE-MX-DB-40-A100	2	400	100	720	6.60
GE-MX-DB-45-A100	2	450	100	770	7.00
GE-MX-DB-50-A100	2	500	100	820	7.40
GE-MX-DB-60-A100	2	600	100	920	8.30
GE-MX-DB-75-A100	2	750	100	1070	10.40
GE-MX-DB-90-A100	2	900	100	1220	11.90

GE-MX-OB90-A100

90° vertical bend, outside

90° dış bükey elemanı

Внешний угловой элемент 90°



Part No	T	W	A	L	Kg
GE-MX-OB90-10-A100	2	100	100	540	4.40
GE-MX-OB90-15-A100	2	150	100	540	4.60
GE-MX-OB90-20-A100	2	200	100	540	4.80
GE-MX-OB90-25-A100	2	250	100	540	5.00
GE-MX-OB90-30-A100	2	300	100	540	5.20
GE-MX-OB90-40-A100	2	400	100	540	5.60
GE-MX-OB90-45-A100	2	450	100	540	5.80
GE-MX-OB90-50-A100	2	500	100	540	6.00
GE-MX-OB90-60-A100	2	600	100	540	6.40
GE-MX-OB90-75-A100	2	750	100	540	7.00
GE-MX-OB90-90-A100	2	900	100	540	7.60

Vertical bends in 90°, 60°, 45°, 30° are available on request.
 90° vertical bend is supplied in standard unless the angle specified when ordering.

90°, 60°, 45°, 30° dönüşler mevcuttur.

Başka ölçü belirtilmedikçe standart 90° teslim edilir.

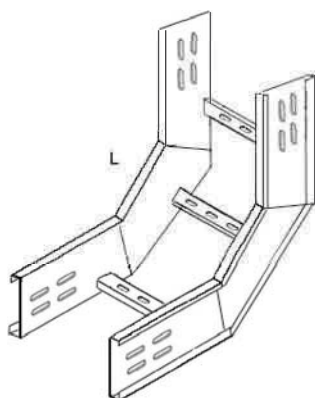
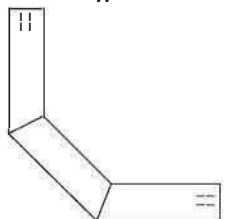
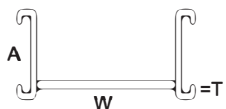
Угловые элементы могут быть изготовлены 90, 60, 45, 30.
 Стандартный размер 90, кроме случаев оговорённых при заказе.

GE-MX-IB90-A100

90° vertical bend, inside

90° iç bükey elemanı

Внутренний угловой элемент 90°



Part No	T	W	A	L	Kg
GE-MX-IB90-10-A100	2	100	100	540	4.40
GE-MX-IB90-15-A100	2	150	100	540	4.60
GE-MX-IB90-20-A100	2	200	100	540	4.80
GE-MX-IB90-25-A100	2	250	100	540	5.00
GE-MX-IB90-30-A100	2	300	100	540	5.20
GE-MX-IB90-40-A100	2	400	100	540	5.60
GE-MX-IB90-45-A100	2	450	100	540	5.80
GE-MX-IB90-50-A100	2	500	100	540	6.00
GE-MX-IB90-60-A100	2	600	100	540	6.40
GE-MX-IB90-75-A100	2	750	100	540	7.00
GE-MX-IB90-90-A100	2	900	100	540	7.60

Material options: Stainless steel AISI 304 (L) (A2) / AISI 316 (L) (A4), ST-37-42 Mild Steel, Corten A, Pregalvanized steel, Aluminum
 Finish options : Hot Dip Galvanized to EN 1461, Electrogalvanized to TS 149, Electrostatic Paint Coated, Prime coated
 See material & finish option charts for available product specific selections.

Cable Ladders

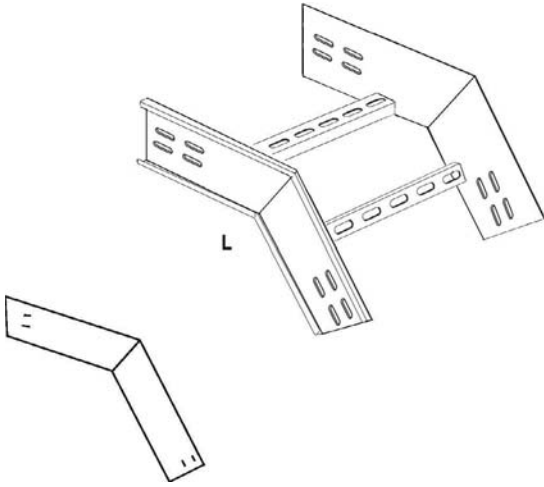
100

GE-MX-OB45-A100

45° vertical bend, outside

45° dış bükey elemanı

Внешний угловой элемент 45°



Part No	T	W	A	L	Kg
GE-MX-OB45-10-A100	2	100	100	450	3.50
GE-MX-OB45-15-A100	2	150	100	450	3.60
GE-MX-OB45-20-A100	2	200	100	450	3.70
GE-MX-OB45-25-A100	2	250	100	450	3.80
GE-MX-OB45-30-A100	2	300	100	450	3.90
GE-MX-OB45-40-A100	2	400	100	450	4.10
GE-MX-OB45-45-A100	2	450	100	450	4.20
GE-MX-OB45-50-A100	2	500	100	450	4.30
GE-MX-OB45-60-A100	2	600	100	450	4.50
GE-MX-OB45-75-A100	2	750	100	450	4.80
GE-MX-OB45-90-A100	2	900	100	450	5.10

Vertical bends in 90°, 60°, 45°, 30° are available on request.
 90° vertical bend is supplied in standard unless the angle specified when ordering.

90°, 60°, 45°, 30° dönüşler mevcuttur.

Başka ölçü belirtilmedikçe standart 90° teslim edilir.

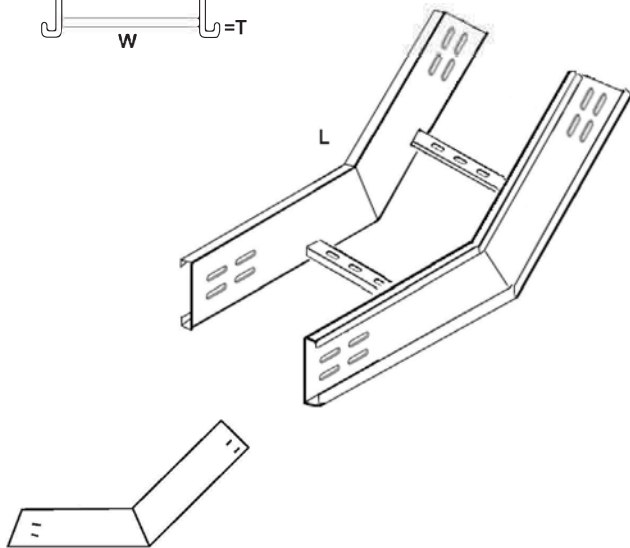
Угловые элементы могут быть изготовлены 90, 60, 45, 30.
 Стандартный размер 90, кроме случаев оговорённых при заказе.

GE-MX-IB45-A100

45° vertical bend, inside

45° iç bükey elemanı

Внутренний угловой элемент 45°



Part No	T	W	A	L	Kg
GE-MX-IB45-10-A100	2	100	100	450	3.50
GE-MX-IB45-15-A100	2	150	100	450	3.60
GE-MX-IB45-20-A100	2	200	100	450	3.70
GE-MX-IB45-25-A100	2	250	100	450	3.80
GE-MX-IB45-30-A100	2	300	100	450	3.90
GE-MX-IB45-40-A100	2	400	100	450	4.10
GE-MX-IB45-45-A100	2	450	100	450	4.20
GE-MX-IB45-50-A100	2	500	100	450	4.30
GE-MX-IB45-60-A100	2	600	100	450	4.50
GE-MX-IB45-75-A100	2	750	100	450	4.80
GE-MX-IB45-90-A100	2	900	100	450	5.10

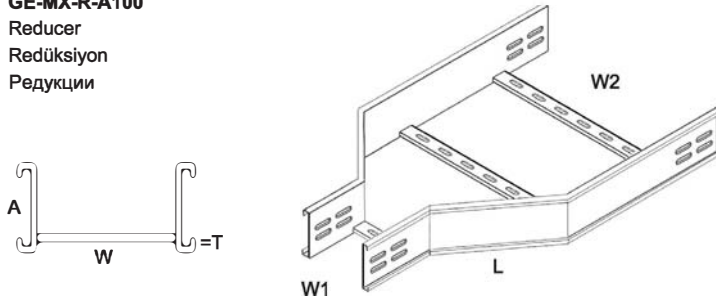
Material options: Stainless steel AISI 304 (L) (A2) / AISI 316 (L) (A4), ST-37-42 Mild Steel, Corten A, Pregalvanized steel, Aluminum
 Finish options : Hot Dip Galvanized to EN 1461, Electro galvanized to TS 149, Electrostatic Paint Coated, Prime coated
 See material & finish option charts for available product specific selections.

Cable Ladders

100

GE-MX-R-A100

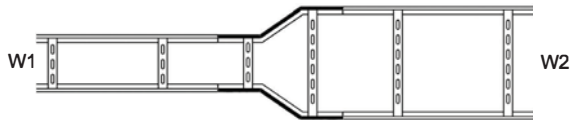
Reducer
 Redüksiyon
 Редукции



Part No	T	W1 - W2	A	L	Kg
GE-MX-R-10-20-A100	2	100 - 200	100	300	2.80
GE-MX-R-10-30-A100	2	100 - 300	100	340	3.20
GE-MX-R-10-40-A100	2	100 - 400	100	400	3.60
GE-MX-R-10-50-A100	2	100 - 500	100	440	4.00
GE-MX-R-10-60-A100	2	100 - 600	100	490	4.40
GE-MX-R-10-75-A100	2	100 - 750	100	560	5.00
GE-MX-R-10-90-A100	2	100 - 900	100	650	5.60

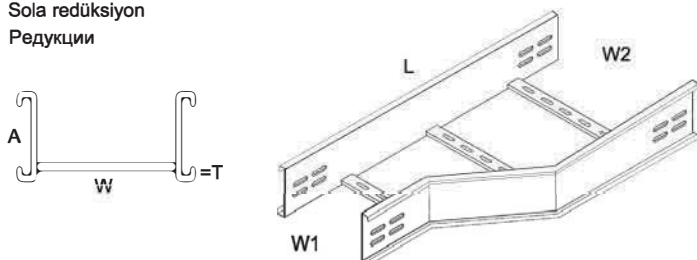
How to order / Kodlama / Как написать при заказе

GE-MX R 100 200 A100 HDG
 (Series + Product + Width1 + Width2 + Height + Finish)



GE-MX-RL-A100

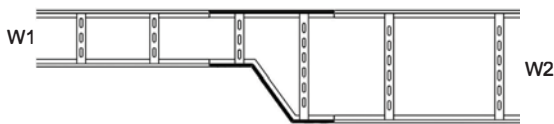
Left reducer
 Sola redüksiyon
 Редукции



Part No	T	W1 - W2	A	L	Kg
GE-MX-RL-10-20-A100	2	100 - 200	100	300	2.80
GE-MX-RL-10-30-A100	2	100 - 300	100	340	3.20
GE-MX-RL-10-40-A100	2	100 - 400	100	400	3.60
GE-MX-RL-10-50-A100	2	100 - 500	100	440	4.00
GE-MX-RL-10-60-A100	2	100 - 600	100	490	4.40
GE-MX-RL-10-75-A100	2	100 - 750	100	560	5.00
GE-MX-RL-10-90-A100	2	100 - 900	100	650	5.60

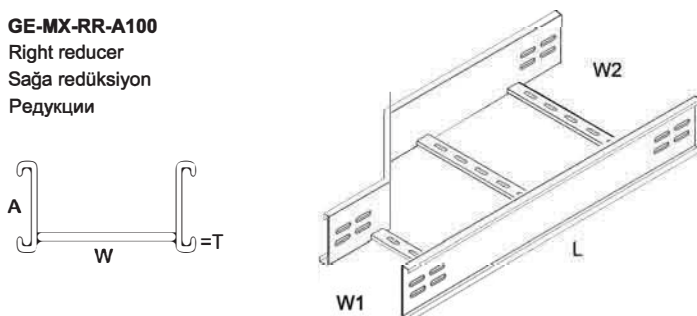
How to order / Kodlama / Как написать при заказе

GE-MX RL 100 200 A100 HDG
 (Series + Product + Width1 + Width2 + Height + Finish)



GE-MX-RR-A100

Right reducer
 Sağa redüksiyon
 Редукции



Part No	T	W1 - W2	A	L	Kg
GE-MX-RR-10-20-A100	2	100 - 200	100	300	2.80
GE-MX-RR-10-30-A100	2	100 - 300	100	340	3.20
GE-MX-RR-10-40-A100	2	100 - 400	100	400	3.60
GE-MX-RR-10-50-A100	2	100 - 500	100	440	4.00
GE-MX-RR-10-60-A100	2	100 - 600	100	490	4.40
GE-MX-RR-10-75-A100	2	100 - 750	100	560	5.00
GE-MX-RR-10-90-A100	2	100 - 900	100	650	5.60

How to order / Kodlama / Как написать при заказе

GE-MX RR 100 200 A100 HDG
 (Series + Product + Width1 + Width2 + Height + Finish)



Material options: Stainless steel AISI 304 (L) (A2) / AISI 316 (L) (A4), ST-37-42 Mild Steel, Corten A, Pregalvanized steel, Aluminum
 Finish options : Hot Dip Galvanized to EN 1461, Electrogalvanized to TS 149, Electrostatic Paint Coated, Prime coated
 See material & finish option charts for available product specific selections.

Cable Ladders

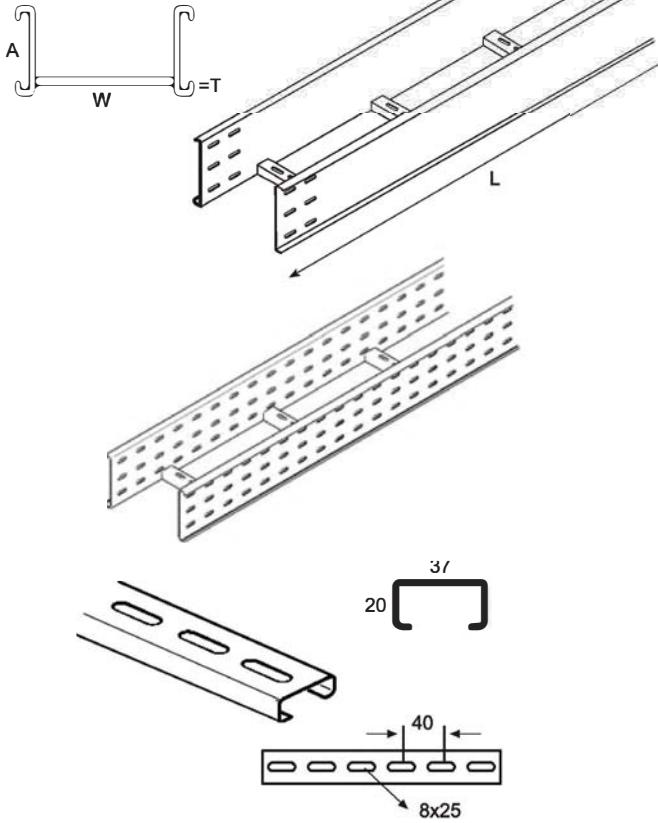
125

GE-MX-A125

Cable ladder, out-flanged

Kablo merdiveni, dışa bükümlü

GE-MX-A125 лестничный лоток

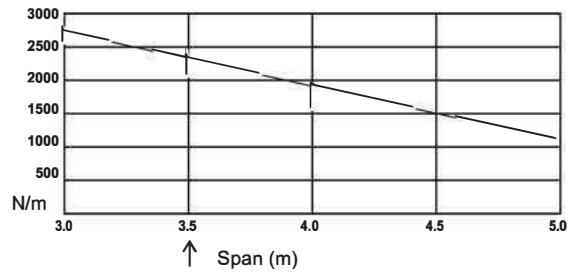


Base holes available upon request.
 İstek üzerine taban delikleri ile imal edilir.
 База доступна дыр по запросу.

Part No	T	W	A	L	Kg/m
GE-MX-10-A125	2	100	125	3000	6.00
GE-MX-15-A125	2	150	125	3000	6.20
GE-MX-20-A125	2	200	125	3000	6.40
GE-MX-25-A125	2	250	125	3000	6.60
GE-MX-30-A125	2	300	125	3000	6.80
GE-MX-40-A125	2	400	125	3000	7.20
GE-MX-45-A125	2	450	125	3000	7.40
GE-MX-50-A125	2	500	125	3000	7.60
GE-MX-60-A125	2	600	125	3000	8.00
GE-MX-75-A125	2	750	125	3000	8.60
GE-MX-90-A125	2	900	125	3000	9.20

SS4 SS6 HDG EG ESB APB AL

Custom production available upon request.
 İsteğe göre diğer ölçülerde üretim yapılır.
 Возможно изготовление продукции на заказ.



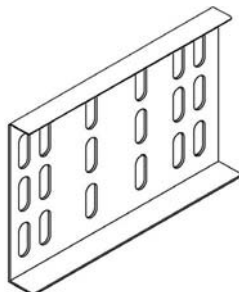
GE-EKX

Coupler

Ek parçası

Связующий элемент

Part No	T	A	Kg
GE-EK-125	2	125	0.62



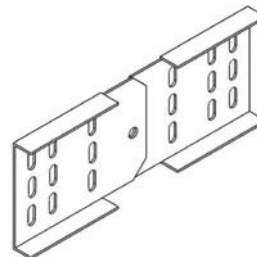
GE-SDX

Hinge plate

Seviye değiştirme

Регулятор уровня

Part No	Kg
GE-SDX-125	0.85



Material options: Stainless steel AISI 304 (L) (A2) / AISI 316 (L) (A4), ST-37-42 Mild Steel, Corten A, Pregalvanized steel, Aluminum
 Finish options : Hot Dip Galvanized to EN 1461, Electrogalvanized to TS 149, Electrostatic Paint Coated, Prime coated
 See material & finish option charts for available product specific selections.

Cable Ladders

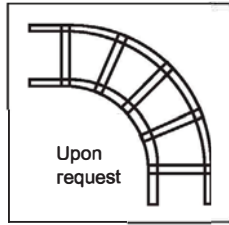
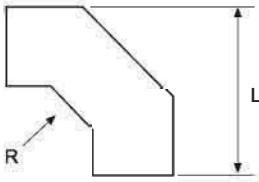
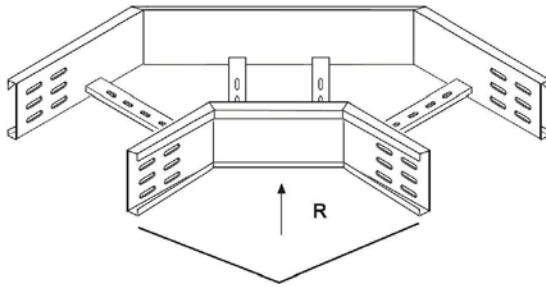
125

GE-MX-D90-A125

90° flat bend

90° dönüş elemanı

Секция угловая горизонтальная 90°



Part No	T	W	A	L	Kg
GE-MX-D90-10-A125	2	100	125	260	2.90
GE-MX-D90-15-A125	2	150	125	310	3.40
GE-MX-D90-20-A125	2	200	125	360	3.90
GE-MX-D90-25-A125	2	250	125	410	4.40
GE-MX-D90-30-A125	2	300	125	460	4.90
GE-MX-D90-40-A125	2	400	125	560	5.90
GE-MX-D90-45-A125	2	450	125	610	6.40
GE-MX-D90-50-A125	2	500	125	660	7.40
GE-MX-D90-60-A125	2	600	125	760	8.50
GE-MX-D90-75-A125	2	750	125	910	10.10
GE-MX-D90-90-A125	2	900	125	1060	11.70

Vertical bends in 90°, 60°, 45°, 30° are available on request.
 90° vertical bend is supplied in standard unless the angle specified when ordering.

90°, 60°, 45°, 30° dönüşler mevcuttur.

Başka ölçü belirtilmedikçe standart 90° teslim edilir.

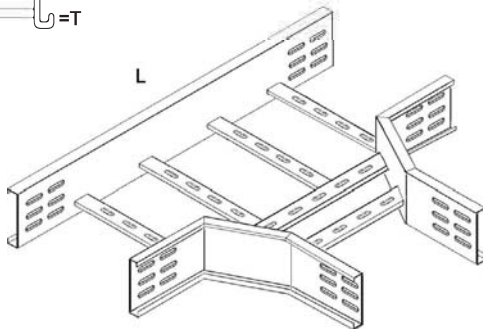
Угловые элементы могут быть изготовлены 90, 60, 45, 30.
 Стандартный размер 90, кроме случаев оговорённых при заказе.

GE-MX-T-A125

Tee

T elemanı

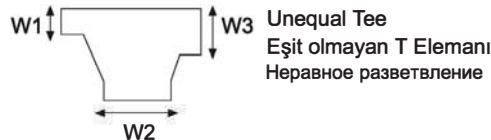
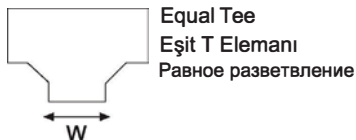
T образное разветвление



Part No	T	W	A	L	Kg
GE-MX-T-10-A125	2	100	125	420	3.70
GE-MX-T-15-A125	2	150	125	470	4.10
GE-MX-T-20-A125	2	200	125	520	4.50
GE-MX-T-25-A125	2	250	125	570	4.90
GE-MX-T-30-A125	2	300	125	620	5.30
GE-MX-T-40-A125	2	400	125	720	6.10
GE-MX-T-45-A125	2	450	125	770	6.50
GE-MX-T-50-A125	2	500	125	820	7.40
GE-MX-T-60-A125	2	600	125	920	8.30
GE-MX-T-75-A125	2	750	125	1070	10.60
GE-MX-T-90-A125	2	900	125	1220	12.20

Please specify the widths of unequal tees by drawing.
 Eşit olmayan T' lerde W ölçülerini siparişte belirtiniz.

Укажите размеры W неравного T-образного разветвления.



Material options: Stainless steel AISI 304 (L) (A2) / AISI 316 (L) (A4), ST-37-42 Mild Steel, Corten A, Pregalvanized steel, Aluminum
 Finish options : Hot Dip Galvanized to EN 1461, Electrogalvanized to TS 149, Electrostatic Paint Coated, Prime coated
 See material & finish option charts for available product specific selections.

Cable Ladders

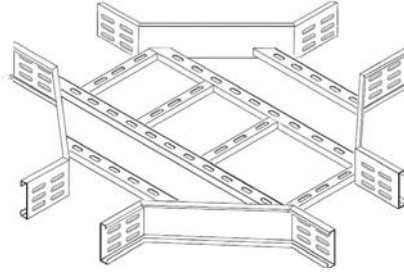
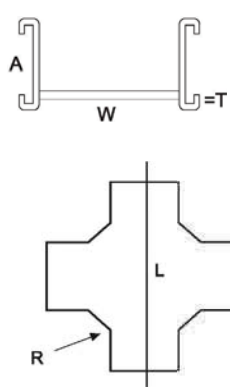
125

GE-MX-DB-A125

Crossing

Dörtlü Bağlantı Elemanı

Секция крестообразная



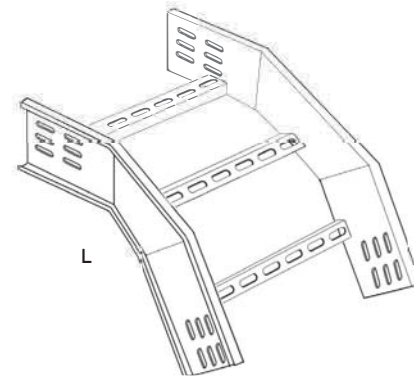
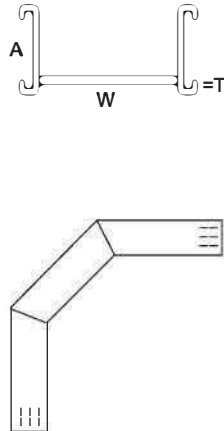
Part No	T	W	A	L	Kg
GE-MX-DB-10-A125	2	100	125	420	4.60
GE-MX-DB-15-A125	2	150	125	470	5.10
GE-MX-DB-20-A125	2	200	125	520	5.70
GE-MX-DB-25-A125	2	250	125	570	6.30
GE-MX-DB-30-A125	2	300	125	620	6.80
GE-MX-DB-40-A125	2	400	125	720	7.80
GE-MX-DB-45-A125	2	450	125	770	8.30
GE-MX-DB-50-A125	2	500	125	820	8.80
GE-MX-DB-60-A125	2	600	125	920	9.80
GE-MX-DB-75-A125	2	750	125	1070	11.30
GE-MX-DB-90-A125	2	900	125	1220	12.80

GE-MX-OB90-A125

90° vertical bend, outside

90° dış bükme elemanı

Внешний угловой элемент 90°



Part No	T	W	A	L	Kg
GE-MX-OB90-10-A125	2	100	125	540	5.00
GE-MX-OB90-15-A125	2	150	125	540	5.20
GE-MX-OB90-20-A125	2	200	125	540	5.40
GE-MX-OB90-25-A125	2	250	125	540	5.60
GE-MX-OB90-30-A125	2	300	125	540	5.80
GE-MX-OB90-40-A125	2	400	125	540	6.10
GE-MX-OB90-45-A125	2	450	125	540	6.30
GE-MX-OB90-50-A125	2	500	125	540	6.50
GE-MX-OB90-60-A125	2	600	125	540	7.00
GE-MX-OB90-75-A125	2	750	125	540	7.60
GE-MX-OB90-90-A125	2	900	125	540	8.20

Vertical bends in 90°, 60°, 45°, 30° are available on request.
 90° vertical bend is supplied in standard unless the angle specified when ordering.

90°, 60°, 45°, 30° dönüşler mevcuttur.

Başka ölçü belirtilmedikçe standart 90° teslim edilir.

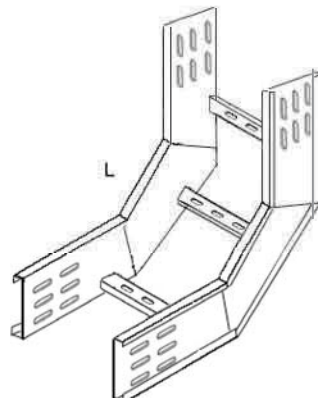
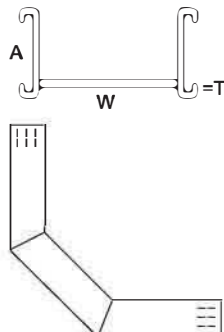
Угловые элементы могут быть изготовлены 90, 60, 45, 30.
 Стандартный размер 90, кроме случаев оговорённых при заказе.

GE-MX-IB90-A125

90° vertical bend, inside

90° iç bükme elemanı

Внутренний угловой элемент 90°



Part No	T	W	A	L	Kg
GE-MX-IB90-10-A125	2	100	125	540	5.00
GE-MX-IB90-15-A125	2	150	125	540	5.20
GE-MX-IB90-20-A125	2	200	125	540	5.40
GE-MX-IB90-25-A125	2	250	125	540	5.60
GE-MX-IB90-30-A125	2	300	125	540	5.80
GE-MX-IB90-40-A125	2	400	125	540	6.10
GE-MX-IB90-45-A125	2	450	125	540	6.30
GE-MX-IB90-50-A125	2	500	125	540	6.50
GE-MX-IB90-60-A125	2	600	125	540	7.00
GE-MX-IB90-75-A125	2	750	125	540	7.60
GE-MX-IB90-90-A125	2	900	125	540	8.20

Material options: Stainless steel AISI 304 (L) (A2) / AISI 316 (L) (A4), ST-37-42 Mild Steel, Corten A, Pregalvanized steel, Aluminum
 Finish options : Hot Dip Galvanized to EN 1461, Electrogalvanized to TS 149, Electrostatic Paint Coated, Prime coated
 See material & finish option charts for available product specific selections.

Cable Ladders

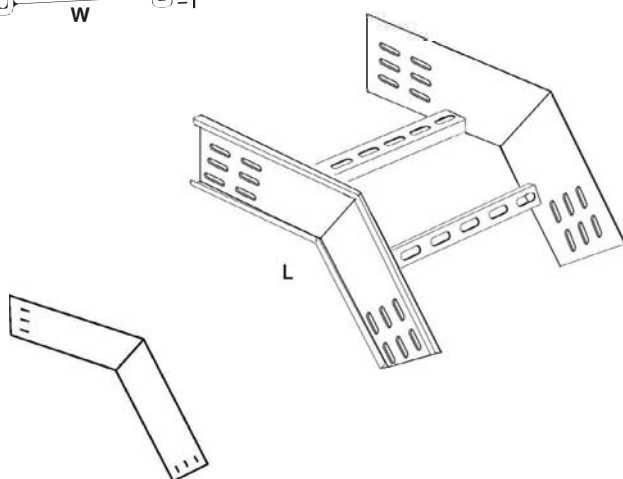
125

GE-MX-OB45-A125

45° vertical bend, outside

45° dış bükey elemanı

Внешний угловой элемент 45°



Part No	T	W	A	L	Kg
GE-MX-OB45-10-A125	2	100	125	450	4.00
GE-MX-OB45-15-A125	2	150	125	450	4.10
GE-MX-OB45-20-A125	2	200	125	450	4.20
GE-MX-OB45-25-A125	2	250	125	450	4.30
GE-MX-OB45-30-A125	2	300	125	450	4.40
GE-MX-OB45-40-A125	2	400	125	450	4.60
GE-MX-OB45-45-A125	2	450	125	450	4.80
GE-MX-OB45-50-A125	2	500	125	450	5.00
GE-MX-OB45-60-A125	2	600	125	450	5.40
GE-MX-OB45-75-A125	2	750	125	450	6.00
GE-MX-OB45-90-A125	2	900	125	450	6.60

Vertical bends in 90°, 60°, 45°, 30° are available on request.
 90° vertical bend is supplied in standard unless the angle specified when ordering.

90°, 60°, 45°, 30° dönüşler mevcuttur.

Başka ölçü belirtilmedikçe standart 90° teslim edilir.

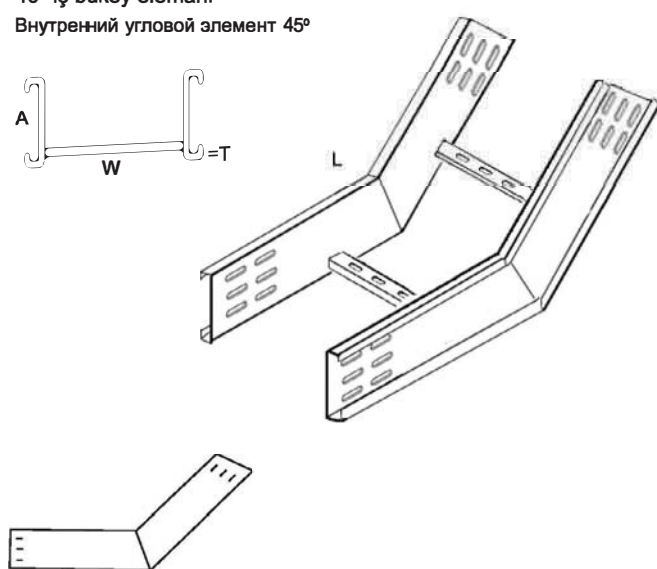
Угловые элементы могут быть изготовлены 90, 60, 45, 30.
 Стандартный размер 90, кроме случаев оговорённых при заказе.

GE-MX-IB45-A125

45° vertical bend, inside

45° iç bükey elemanı

Внутренний угловой элемент 45°



Part No	T	W	A	L	Kg
GE-MX-IB45-10-A125	2	100	125	450	4.00
GE-MX-IB45-15-A125	2	150	125	450	4.10
GE-MX-IB45-20-A125	2	200	125	450	4.20
GE-MX-IB45-25-A125	2	250	125	450	4.30
GE-MX-IB45-30-A125	2	300	125	450	4.40
GE-MX-IB45-40-A125	2	400	125	450	4.60
GE-MX-IB45-45-A125	2	450	125	450	4.80
GE-MX-IB45-50-A125	2	500	125	450	5.00
GE-MX-IB45-60-A125	2	600	125	450	5.40
GE-MX-IB45-75-A125	2	750	125	450	6.00
GE-MX-IB45-90-A125	2	900	125	450	6.60

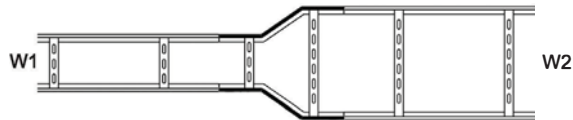
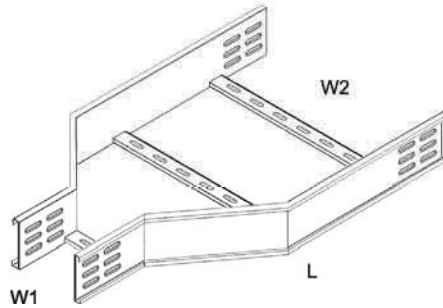
Material options: Stainless steel AISI 304 (L) (A2) / AISI 316 (L) (A4), ST-37-42 Mild Steel, Corten A, Pregalvanized steel, Aluminum
 Finish options : Hot Dip Galvanized to EN 1461, Electrogalvanized to TS 149, Electrostatic Paint Coated, Prime coated
 See material & finish option charts for available product specific selections.

Cable Ladders

125

GE-MX-R-A125

Reducer
 Redüksiyon
 Редукции

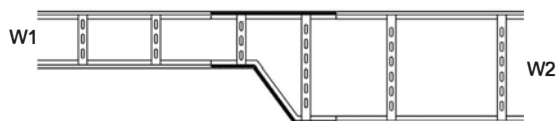
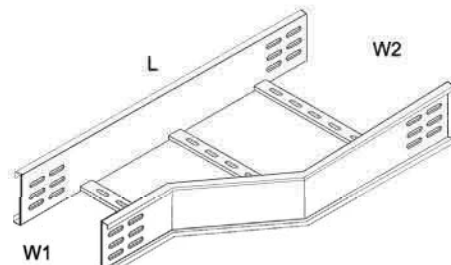


Part No	T	W	A	L	Kg
GE-MX-R-10-20-A125	2	100 - 200	125	300	3.20
GE-MX-R-10-30-A125	2	100 - 300	125	340	3.60
GE-MX-R-10-40-A125	2	100 - 400	125	400	4.00
GE-MX-R-10-50-A125	2	100 - 500	125	440	4.40
GE-MX-R-10-60-A125	2	100 - 600	125	490	4.80
GE-MX-R-10-75-A125	2	100 - 750	125	560	5.40
GE-MX-R-10-90-A125	2	100 - 900	125	650	6.00

How to order / Kodlama / Как написать при заказе
 GE-MX R 100 200 A125 HDG
 (Series + Product + Width1 + Width2 + Height + Finish)

GE-MX-RL-A125

Left reducer
 Sola redüksiyon
 Редукции

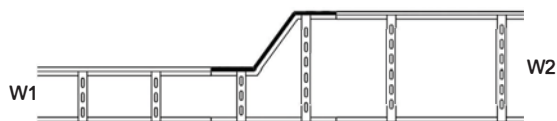
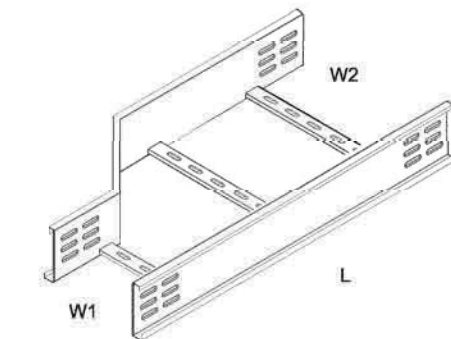


Part No	T	W	A	L	Kg
GE-MX-RL-10-20-A125	2	100 - 200	125	300	3.20
GE-MX-RL-10-30-A125	2	100 - 300	125	340	3.60
GE-MX-RL-10-40-A125	2	100 - 400	125	400	4.00
GE-MX-RL-10-50-A125	2	100 - 500	125	440	4.40
GE-MX-RL-10-60-A125	2	100 - 600	125	490	4.80
GE-MX-RL-10-75-A125	2	100 - 750	125	560	5.40
GE-MX-RL-10-90-A125	2	100 - 900	125	650	6.00

How to order / Kodlama / Как написать при заказе
 GE-MX RL 100 200 A125 HDG
 (Series + Product + Width1 + Width2 + Height + Finish)

GE-MX-RR-A125

Right reducer
 Sağa redüksiyon
 Редукции



Part No	T	W	A	L	Kg
GE-MX-RR-10-20-A125	2	100 - 200	125	300	3.20
GE-MX-RR-10-30-A125	2	100 - 300	125	340	3.60
GE-MX-RR-10-40-A125	2	100 - 400	125	400	4.00
GE-MX-RR-10-50-A125	2	100 - 500	125	440	4.40
GE-MX-RR-10-60-A125	2	100 - 600	125	490	4.80
GE-MX-RR-10-75-A125	2	100 - 750	125	560	5.40
GE-MX-RR-10-90-A125	2	100 - 900	125	650	6.00

How to order / Kodlama / Как написать при заказе
 GE-MX RR 100 200 A125 HDG
 (Series + Product + Width1 + Width2 + Height + Finish)

Material options: Stainless steel AISI 304 (L) (A2) / AISI 316 (L) (A4), ST-37-42 Mild Steel, Corten A, Pregalvanized steel, Aluminum
 Finish options : Hot Dip Galvanized to EN 1461, Electrogalvanized to TS 149, Electrostatic Paint Coated, Prime coated
 See material & finish option charts for available product specific selections.

Cable Ladders

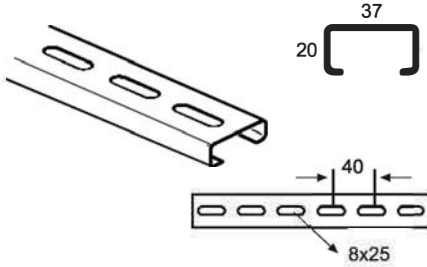
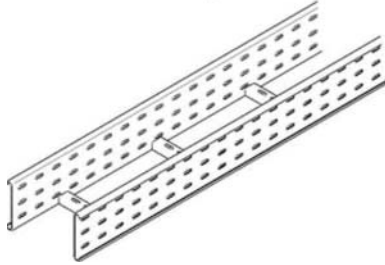
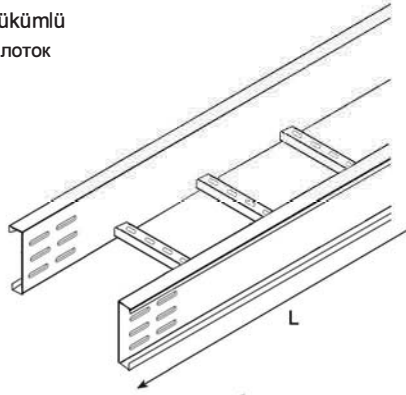
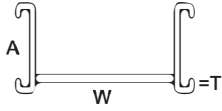
150

GE-MX-A150

Cable ladder, out-flanged

Kablo merdiveni, dışa bükümlü

GE-MX150 лестничный лоток



Base holes available upon request.

İstek üzerine taban delikleri ile imal edilir.
 База доступна дыр по запросу.

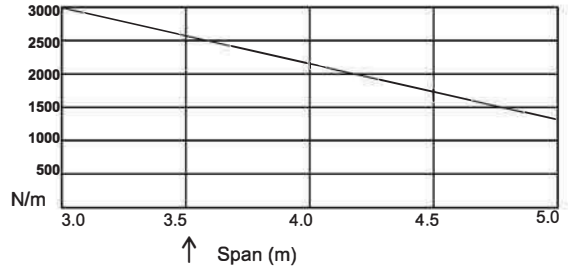
Part No	T	W	A	L	Kg/m
GE-MX-10-A150	2	100	150	3000	7.40
GE-MX-15-A150	2	150	150	3000	7.60
GE-MX-20-A150	2	200	150	3000	7.80
GE-MX-25-A150	2	250	150	3000	8.00
GE-MX-30-A150	2	300	150	3000	8.20
GE-MX-40-A150	2	400	150	3000	8.60
GE-MX-45-A150	2	450	150	3000	8.80
GE-MX-50-A150	2	500	150	3000	9.00
GE-MX-60-A150	2	600	150	3000	9.40
GE-MX-75-A150	2	750	150	3000	10.00
GE-MX-90-A150	2	900	150	3000	10.60

SS4 SS6 HDG EG ESB APB AL

Custom production available upon request.

İsteğe göre diğer ölçülerde üretim yapılır.

Возможно изготовление продукции на заказ.



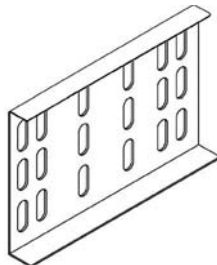
GE-EKX

Coupler

Ek parçası

Связующий элемент

Part No	T	A	Kg
GE-EKX-150	2	150	0.80



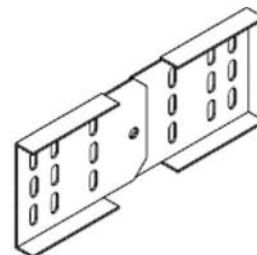
GE-SDX

Hinge plate

Seviye değiştirme

Регулятор уровня

Part No	Kg
GE-SDX-150	1.20



Material options: Stainless steel AISI 304 (L) (A2) / AISI 316 (L) (A4), ST-37-42 Mild Steel, Corten A, Pregalvanized steel, Aluminum
 Finish options : Hot Dip Galvanized to EN 1461, Electrogalvanized to TS 149, Electrostatic Paint Coated, Prime coated
 See material & finish option charts for available product specific selections.

Cable Ladders

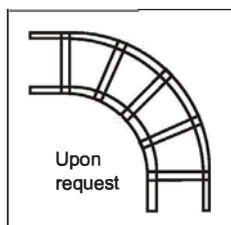
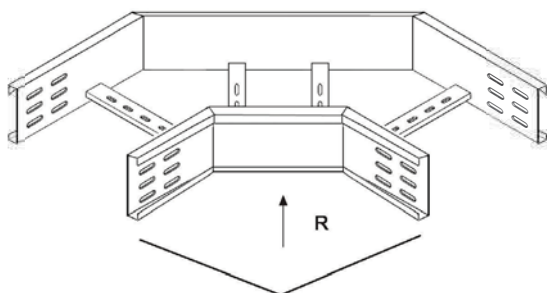
150

GE-MX-D90-A150

90° flat bend

90° dönüş elemanı

Секция угловая горизонтальная 90°



Part No	T	W	A	L	Kg
GE-MX-D90-10-A150	2	100	150	260	3.40
GE-MX-D90-15-A150	2	150	150	310	3.70
GE-MX-D90-20-A150	2	200	150	360	4.20
GE-MX-D90-25-A150	2	250	150	410	4.70
GE-MX-D90-30-A150	2	300	150	460	5.20
GE-MX-D90-40-A150	2	400	150	560	6.60
GE-MX-D90-45-A150	2	450	150	610	6.90
GE-MX-D90-50-A150	2	500	150	660	8.00
GE-MX-D90-60-A150	2	600	150	760	9.20
GE-MX-D90-75-A150	2	750	150	910	11.00
GE-MX-D90-90-A150	2	900	150	1060	12.70

Vertical bends in 90°, 60°, 45°, 30° are available on request.
 90° vertical bend is supplied in standard unless the angle specified when ordering.

90°, 60°, 45°, 30° dönüşler mevcuttur.

Başka ölçü belirtilmedikçe standart 90° teslim edilir.

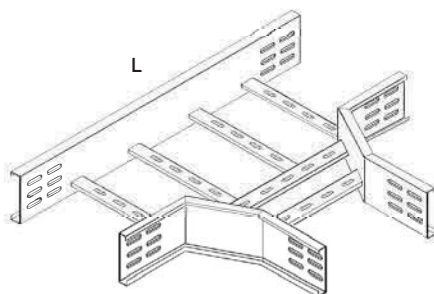
Угловые элементы могут быть изготовлены 90, 60, 45, 30.
 Стандартный размер 90, кроме случаев оговорённых при заказе.

GE-MX-T-A150

Tee

T elemanı

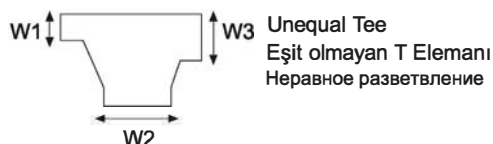
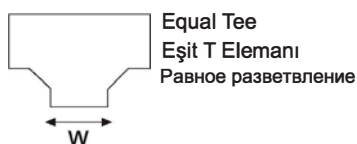
T образное разветвление



Part No	T	W	A	L	Kg
GE-MX-T-10-A150	2	100	150	420	4.10
GE-MX-T-15-A150	2	150	150	470	4.50
GE-MX-T-20-A150	2	200	150	520	4.90
GE-MX-T-25-A150	2	250	150	570	5.30
GE-MX-T-30-A150	2	300	150	620	5.70
GE-MX-T-40-A150	2	400	150	720	6.50
GE-MX-T-45-A150	2	450	150	770	7.00
GE-MX-T-50-A150	2	500	150	820	7.50
GE-MX-T-60-A150	2	600	150	920	8.90
GE-MX-T-75-A150	2	750	150	1070	10.40
GE-MX-T-90-A150	2	900	150	1220	11.80

Please specify the widths of unequal tees by drawing.
 Eşit olmayan T' lerde W ölçülerini siparişte belirtiniz.

Укажите размеры W неравного T-образного разветвления.



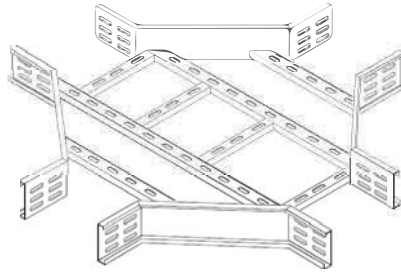
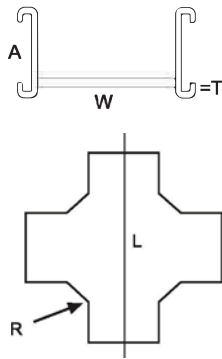
Material options: Stainless steel AISI 304 (L) (A2) / AISI 316 (L) (A4), ST-37-42 Mild Steel, Corten A, Pregalvanized steel, Aluminum
 Finish options : Hot Dip Galvanized to EN 1461, Electrogalvanized to TS 149, Electrostatic Paint Coated, Prime coated
 See material & finish option charts for available product specific selections.

Cable Ladders

150

GE-MX-DB-A150

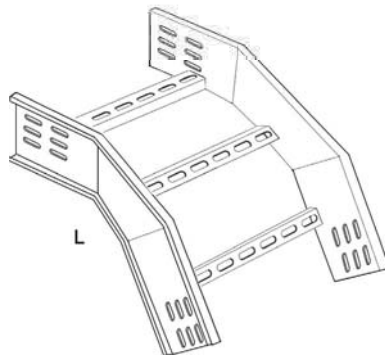
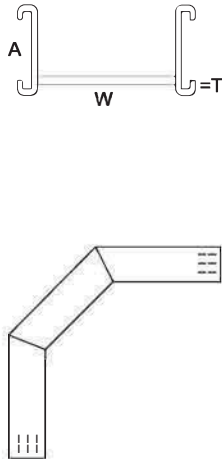
Crossing
 Dörtlü Bağlantı Elemanı
 Секция крестообразная



Part No	T	W	A	L	Kg
GE-MX-DB-10-A150	2	100	150	420	5.10
GE-MX-DB-15-A150	2	150	150	470	5.60
GE-MX-DB-20-A150	2	200	150	520	6.10
GE-MX-DB-25-A150	2	250	150	570	6.60
GE-MX-DB-30-A150	2	300	150	620	7.10
GE-MX-DB-40-A150	2	400	150	720	8.10
GE-MX-DB-45-A150	2	450	150	770	8.60
GE-MX-DB-50-A150	2	500	150	820	9.10
GE-MX-DB-60-A150	2	600	150	920	10.00
GE-MX-DB-75-A150	2	750	150	1070	11.50
GE-MX-DB-90-A150	2	900	150	1220	13.00

GE-MX-OB90-A150

90° vertical bend, outside
 90° dış bükey elemanı
 Внешний угловой элемент 90°



Part No	T	W	A	L	Kg
GE-MX-OB90-10-A150	2	100	150	540	5.70
GE-MX-OB90-15-A150	2	150	150	540	5.90
GE-MX-OB90-20-A150	2	200	150	540	6.10
GE-MX-OB90-25-A150	2	250	150	540	6.30
GE-MX-OB90-30-A150	2	300	150	540	6.50
GE-MX-OB90-40-A150	2	400	150	540	6.80
GE-MX-OB90-45-A150	2	450	150	540	7.00
GE-MX-OB90-50-A150	2	500	150	540	7.10
GE-MX-OB90-60-A150	2	600	150	540	7.50
GE-MX-OB90-75-A150	2	750	150	540	8.10
GE-MX-OB90-90-A150	2	900	150	540	8.50

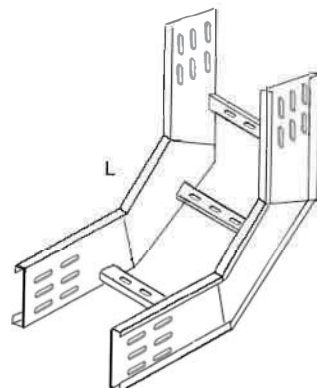
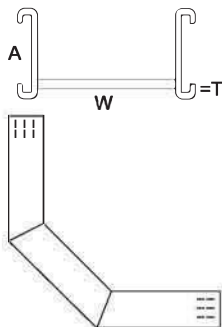
Vertical bends in 90°, 60°, 45°, 30° are available on request.
 90° vertical bend is supplied in standard unless the angle specified when ordering.

90°, 60°, 45°, 30° dönüşler mevcuttur.
 Başka ölçü belirtilmedikçe standart 90° teslim edilir.

Угловые элементы могут быть изготовлены 90, 60, 45, 30.
 Стандартный размер 90, кроме случаев оговорённых при заказе.

GE-MX-IB90-A150

90° vertical bend, inside
 90° iç bükey elemanı
 Внутренний угловой элемент 90°



Part No	T	W	A	L	Kg
GE-MX-IB90-10-A150	2	100	150	540	5.70
GE-MX-IB90-15-A150	2	150	150	540	5.90
GE-MX-IB90-20-A150	2	200	150	540	6.10
GE-MX-IB90-25-A150	2	250	150	540	6.30
GE-MX-IB90-30-A150	2	300	150	540	6.50
GE-MX-IB90-40-A150	2	400	150	540	6.80
GE-MX-IB90-45-A150	2	450	150	540	7.00
GE-MX-IB90-50-A150	2	500	150	540	7.10
GE-MX-IB90-60-A150	2	600	150	540	7.50
GE-MX-IB90-75-A150	2	750	150	540	8.10
GE-MX-IB90-90-A150	2	900	150	540	8.50

Material options: Stainless steel AISI 304 (L) (A2) / AISI 316 (L) (A4), ST-37-42 Mild Steel, Corten A, Pregalvanized steel, Aluminum
 Finish options : Hot Dip Galvanized to EN 1461, Electrogalvanized to TS 149, Electrostatic Paint Coated, Prime coated
 See material & finish option charts for available product specific selections.

Cable Ladders

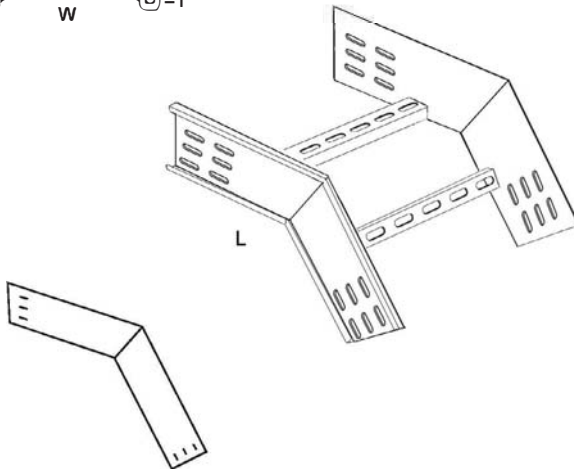
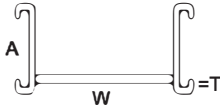
150

GE-MX-OB45-A150

45° vertical bend, outside

45° dış bükey elemanı

Внешний угловой элемент 45°



Part No	T	W	A	L	Kg
GE-MX-OB45-10-A150	2	100	150	450	4.50
GE-MX-OB45-15-A150	2	150	150	450	4.60
GE-MX-OB45-20-A150	2	200	150	450	4.70
GE-MX-OB45-25-A150	2	250	150	450	4.80
GE-MX-OB45-30-A150	2	300	150	450	4.90
GE-MX-OB45-40-A150	2	400	150	450	5.20
GE-MX-OB45-45-A150	2	450	150	450	5.30
GE-MX-OB45-50-A150	2	500	150	450	5.40
GE-MX-OB45-60-A150	2	600	150	450	5.70
GE-MX-OB45-75-A150	2	750	150	450	6.00
GE-MX-OB45-90-A150	2	900	150	450	6.30

Vertical bends in 90°, 60°, 45°, 30° are available on request.
 90° vertical bend is supplied in standard unless the angle specified when ordering.

90°, 60°, 45°, 30° dönüşler mevcuttur.

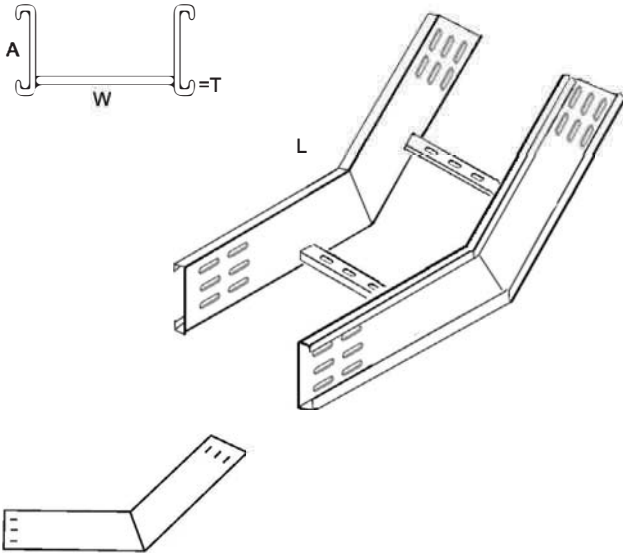
Başka ölçü belirtilmedikçe standart 90° teslim edilir.

Угловые элементы могут быть изготовлены 90, 60, 45, 30.
 Стандартный размер 90, кроме случаев оговорённых при заказе.

GE-MX-IB45-A150

45° vertical bend, inside

45° iç bükey elemanı



Part No	T	W	A	L	Kg
GE-MX-IB45-10-A150	2	100	150	450	4.50
GE-MX-IB45-15-A150	2	150	150	450	4.60
GE-MX-IB45-20-A150	2	200	150	450	4.70
GE-MX-IB45-25-A150	2	250	150	450	4.80
GE-MX-IB45-30-A150	2	300	150	450	4.90
GE-MX-IB45-40-A150	2	400	150	450	5.20
GE-MX-IB45-45-A150	2	450	150	450	5.30
GE-MX-IB45-50-A150	2	500	150	450	5.40
GE-MX-IB45-60-A150	2	600	150	450	5.70
GE-MX-IB45-75-A150	2	750	150	450	6.00
GE-MX-IB45-90-A150	2	900	150	450	6.30

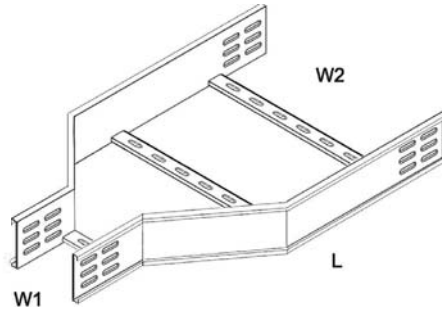
Material options: Stainless steel AISI 304 (L) (A2) / AISI 316 (L) (A4), ST-37-42 Mild Steel, Corten A, Pregalvanized steel, Aluminum
 Finish options : Hot Dip Galvanized to EN 1461, Electrogalvanized to TS 149, Electrostatic Paint Coated, Prime coated
 See material & finish option charts for available product specific selections.

Cable Ladders

150

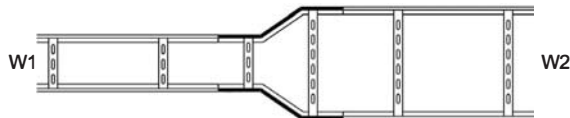
GE-MX-R-A150

Reducer
 Redüksiyon
 Редукции



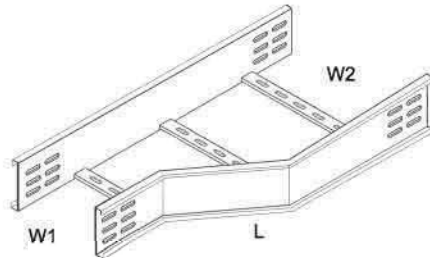
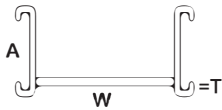
Part No	T	W	A	L	Kg
GE-MX-R-10-20-A150	2	100 - 200	150	300	3.60
GE-MX-R-10-30-A150	2	100 - 300	150	340	4.00
GE-MX-R-10-40-A150	2	100 - 400	150	400	4.40
GE-MX-R-10-50-A150	2	100 - 500	150	440	4.80
GE-MX-R-10-60-A150	2	100 - 600	150	490	5.20
GE-MX-R-10-75-A150	2	100 - 750	150	560	5.80
GE-MX-R-10-90-A150	2	100 - 900	150	650	6.40

How to order / Kodlama / Как написать при заказе
 GE-MX R 100 200 A150 HDG
 (Series + Product + Width1 + Width2 + Height + Finish)



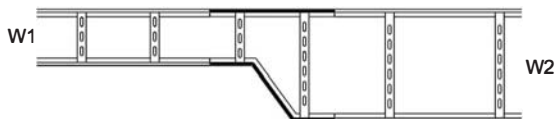
GE-MX-RL-A150

Left reducer
 Sola redüksiyon
 Редукции



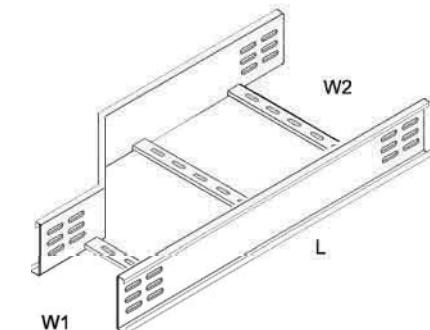
Part No	T	W	A	L	Kg
GE-MX-RL-10-20-A150	2	100 - 200	150	300	3.60
GE-MX-RL-10-30-A150	2	100 - 300	150	340	4.00
GE-MX-RL-10-40-A150	2	100 - 400	150	400	4.40
GE-MX-RL-10-50-A150	2	100 - 500	150	440	4.80
GE-MX-RL-10-60-A150	2	100 - 600	150	490	5.20
GE-MX-RL-10-75-A150	2	100 - 750	150	560	5.80
GE-MX-RL-10-90-A150	2	100 - 900	150	650	6.40

How to order / Kodlama / Как написать при заказе
 GE-MX RL 100 200 A150 HDG
 (Series + Product + Width1 + Width2 + Height + Finish)



GE-MX-RR-A150

Right reducer
 Sağa redüksiyon
 Редукции



Part No	T	W	A	L	Kg
GE-MX-RR-10-20-A150	2	100 - 200	150	300	3.60
GE-MX-RR-10-30-A150	2	100 - 300	150	340	4.00
GE-MX-RR-10-40-A150	2	100 - 400	150	400	4.40
GE-MX-RR-10-50-A150	2	100 - 500	150	440	4.80
GE-MX-RR-10-60-A150	2	100 - 600	150	490	5.20
GE-MX-RR-10-75-A150	2	100 - 750	150	560	5.80
GE-MX-RR-10-90-A150	2	100 - 900	150	650	6.40

How to order / Kodlama / Как написать при заказе
 GE-MX RR 100 200 A150 HDG
 (Series + Product + Width1 + Width2 + Height + Finish)

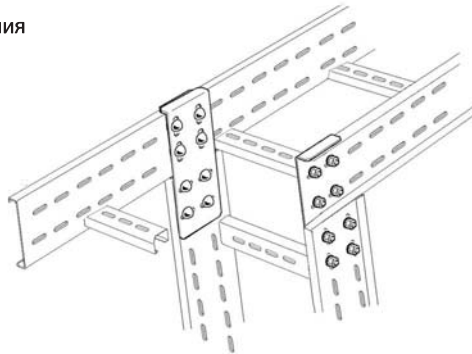
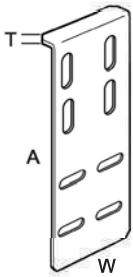


Material options: Stainless steel AISI 304 (L) (A2) / AISI 316 (L) (A4), ST-37-42 Mild Steel, Corten A, Pregalvanized steel, Aluminum
 Finish options : Hot Dip Galvanized to EN 1461, Electrogalvanized to TS 149, Electrostatic Paint Coated, Prime coated
 See material & finish option charts for available product specific selections.

GE-MX-RD

Drop out bracket
 Dikey bağlantı parçası
 Вертикальный элемент соединения

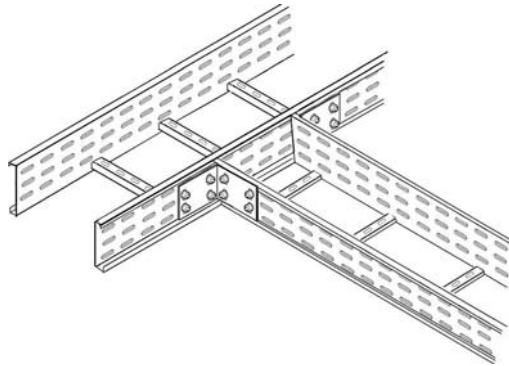
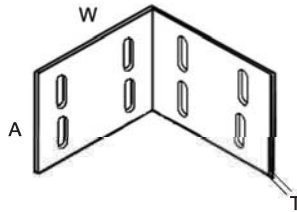
Part No	T	W	A	Kg
GE-MX-RD-100	2	100	200	0.37
GE-MX-RD-125	2	100	250	0.46
GE-MX-RD-150	2	100	300	0.55



GE-MX-RT

T bracket
 T bağlantı parçası
 T элемент соединения

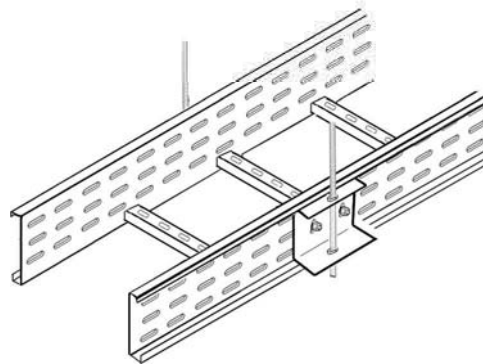
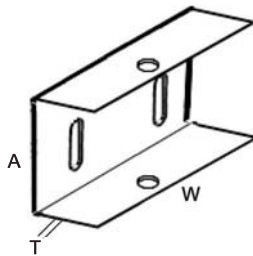
Part No	T	W	A	Kg
GE-MX-RT-100	2	100	75	0.24
GE-MX-RT-125	2	100	100	0.32
GE-MX-RT-150	2	100	125	0.40



GE-MX-RB

Hanger rod bracket
 Tij tipi askı konsolu
 Редукции

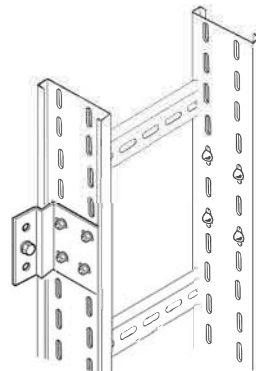
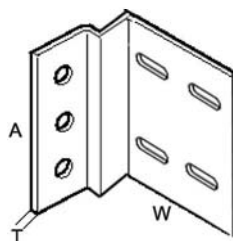
Part No	T	W	A	Kg
GE-MX-RB-100	3	100	75	0.37
GE-MX-RB-125	3	100	100	0.43
GE-MX-RB-150	3	100	125	0.49



GE-MX-RC

Wall bracket
 Duvara tespit elemanı
 крепеж к стене

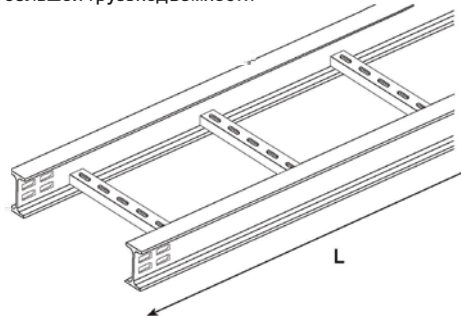
Part No	T	W	A	Kg
GE-MX-RC-100	3	75	100	0.35
GE-MX-RC-125	3	100	100	0.41
GE-MX-RC-150	3	125	100	0.47



Material options: Stainless steel AISI 304 (L) (A2) / AISI 316 (L) (A4), ST-37-42 Mild Steel, Corten A, Pregalvanized steel, Aluminum
 Finish options : Hot Dip Galvanized to EN 1461, Electrogalvanized to TS 149, Electrostatic Paint Coated, Prime coated
 See material & finish option charts for available product specific selections.

GE-MEH

Cable ladder, I beam section type
 Kablo merdiveni, I profil tipi
 Кабельные лестницы, Экстра большой грузоподъемности



EXTRA HEAVY DUTY

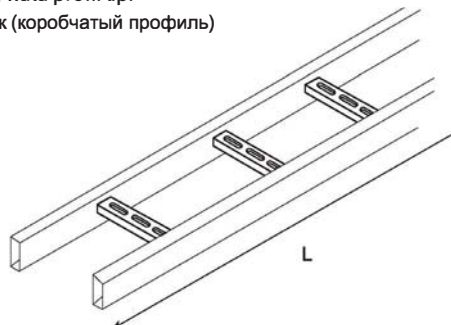
Part No	T	W	A	L	Kg/m
GE-MEH-20					
GE-MEH-25					
GE-MEH-30					
GE-MEH-40					
GE-MEH-45					
GE-MEH-50					
GE-MEH-60					
GE-MEH-75					
GE-MEH-90					
GE-MEH-100					

PLEASE CONTACT US FOR DETAILS

SS4 SS6 HDG EG ESB APB AL

GE-KPM

Cable ladder, box section type
 Kablo merdiveni, kutu profil tipi
 Лестничный лоток (коробчатый профиль)



LIGHT DUTY

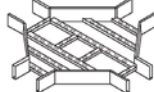
Part No	T	W	A	L	Kg/m
GE-KPM-20	1.5	200	TBS	3000	-
GE-KPM-25	1.5	250	TBS	3000	-
GE-KPM-30	1.5	300	TBS	3000	-
GE-KPM-40	1.5	400	TBS	3000	-

TBS: to be specified by customer

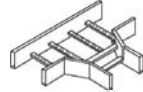
GE-KPM-D90



GE-KPM-DB



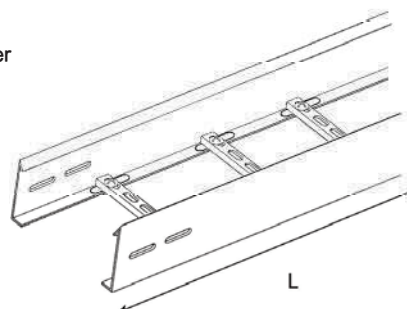
GE-KPM-T



Dims. mm	t (mm)										
	0,7	0,8	0,9	1	1,2	1,5	2	2,5	3	4	5
	Kg / M										
10x10	0,204	0,231	0,257	0,282	0,338						
15x15	0,314	0,356	0,399	0,438	0,52	0,632					
20x20	0,424	0,482	0,539	0,595	0,708	0,868	1,12	1,51			
25x25	0,534	0,608	0,681	0,752	0,896	1,1	1,44	1,89	1,90		
30x30		0,733	0,822	0,909	1,085	1,34	1,75	2,15	2,39		
40x40				1,21	1,44	1,81	2,38	2,93	3,33	4,25	
50x50					1,82	2,28	3,01	3,72	4,28	5,51	6,56
60x60						2,75	3,64	4,5	5,52	6,76	8,13
70x70						3,23	4,26	5,29	6,16	8,02	9,7
80x80							4,89	6,07	7,1	9,28	11,3
90x90							5,52	6,86	8,04	10,5	12,8
100x100							6,15	7,64	8,99	11,8	14,4
120x120									11,1	14,1	17,4
125x125									11,5	15	18,06
150x150									13,9	18,12	21,35

GE-FCL

Cable ladder, flexible
 Kablo merdiveni, modüler
 Гибкий кабель лестнице

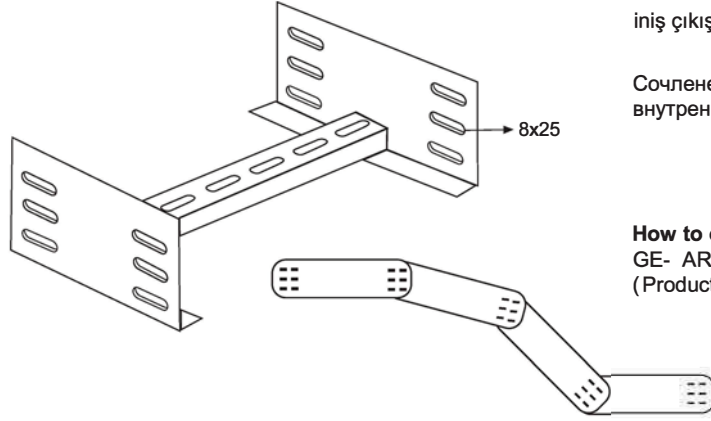


Part No	T	W	A	L	Kg/m
GE-FCL-20-A60	1,5	200	60	3000	2,50
GE-FCL-30-A60	1,5	300	60	3000	2,70
GE-FCL-40-A60	1,5	400	60	3000	2,90
GE-FCL-50-A60	1,5	500	60	3000	3,10
GE-FCL-60-A60	1,5	600	60	3000	3,30

Material options: Stainless steel AISI 304 (L) (A2) / AISI 316 (L) (A4), ST-37-42 Mild Steel, Corten A, Pregalvanized steel, Aluminum
Finish options : Hot Dip Galvanized to EN 1461, Electrogalvanized to TS 149, Electrostatic Paint Coated, Prime coated
See material & finish option charts for available product specific selections.

GE-ARI

Articulated riser
Modüler iç / dış bükey elemanı
Модульный соединитель



Articulated risers are used to create inside and / or outside riser connections on cable ladders.

Modüler iç/dış bükey elemanları kablo taşıyıcı hattında giriş çıkış yapmayı sağlar.

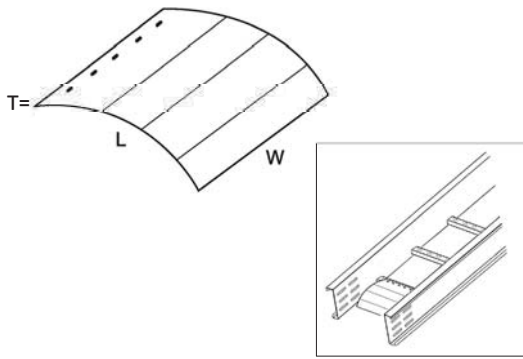
Сочлененные стояки используются для создания внутренней и / или за стояк соединения по кабелю лестницы.

How to order / Kodlama / Как написать при заказе

GE-ARI 25 A100 HDG
(Product + Width + Height + Finish)

GE-DRP

Drop-out plate
Kablo çıkış elemanı
Кабель выбыть



Part No	T	W	L	Kg
GE-DRP-10	1.5	100	500	0.66
GE-DRP-15	1.5	150	500	0.99
GE-DRP-20	1.5	200	500	1.30
GE-DRP-25	1.5	250	500	1.65
GE-DRP-30	1.5	300	500	2.00
GE-DRP-40	1.5	400	500	2.70
GE-DRP-45	1.5	450	700	4.20
GE-DRP-60	1.5	600	700	6.00
GE-DRP-75	1.5	750	700	6.90
GE-DRP-90	1.5	900	700	8.40

Drop out plates provide a simple and smooth way for the cables to enter and leave the cable ladder.

Drop out plates are available for all cable ladder widths.

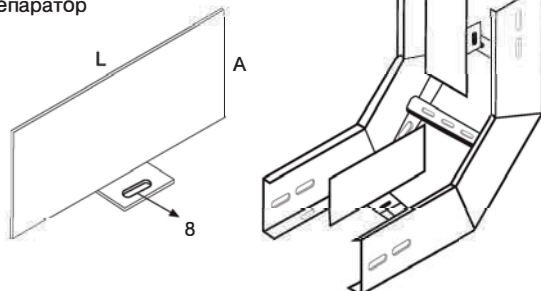
Kabloların merdiven üzerinden rahat çıkışını sağlar.
Tüm merdiven ölçülerinde mevcuttur.

GE-DRP плит обеспечивает простой и гладкий путь для кабеля Везд и выезд из кабеля лестнице.

GE-DRP доступна любому ширине лестницы кабеля.

GE-IOR

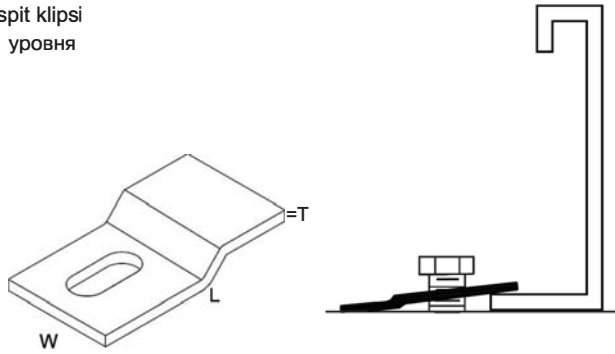
Riser divider
Bükey separatörü
Сепаратор



Part No	T	A	L	Kg
GE-IOR-50	1.5	35	300	0.15
GE-IOR-70	1.5	55	300	0.25
GE-IOR-100	1.5	80	300	0.35
GE-IOR-125	1.5	105	300	0.45
GE-IOR-150	1.5	130	300	0.55
GE-IOR-100	2	80	300	0.45
GE-IOR-125	2	105	300	0.60
GE-IOR-150	2	130	300	0.73

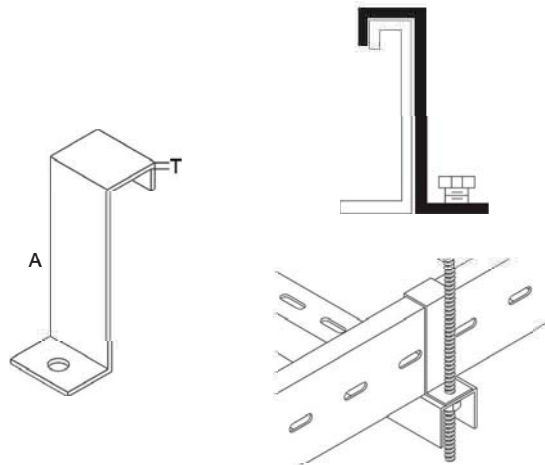
Material options: Stainless steel AISI 304 (L) (A2) / AISI 316 (L) (A4), ST-37-42 Mild Steel, Corten A, Pregalvanized steel, Aluminum
 Finish options : Hot Dip Galvanized to EN 1461, Electrogalvanized to TS 149, Electrostatic Paint Coated, Prime coated
 See material & finish option charts for available product specific selections.

GE-MDTE
 Hold down clips
 Merdiven tespit klipsi
 Регуляторы уровня



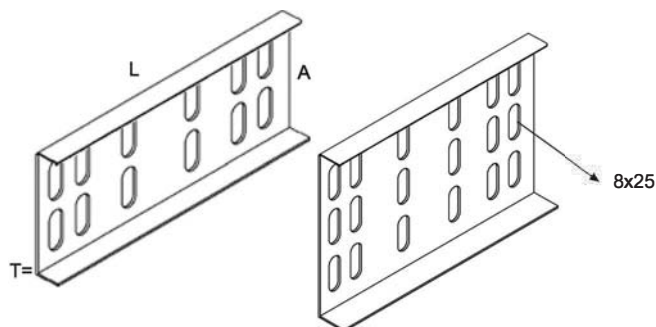
Part No	T	W	L	Kg
GE-MDTE-1	2	30	60	0.034
GE-MDTE-2	3	30	60	0.050

GE-HDC
 Hold down clamp
 Merdiven tespit elemanı
 Регуляторы уровня



Part No	T	W	Kg
GE-HDC-25	2	25	0.050
GE-HDC-40	2	40	0.060
GE-HDC-50	2	50	0.065
GE-HDC-60	2	60	0.070
GE-HDC-70	2	70	0.075
GE-HDC-80	2	80	0.080
GE-HDC-100	3	100	0.135
GE-HDC-125	3	125	0.140
GE-HDC-150	3	150	0.160

GE-EKX
 Coupler
 Ek parçası
 Связующий элем

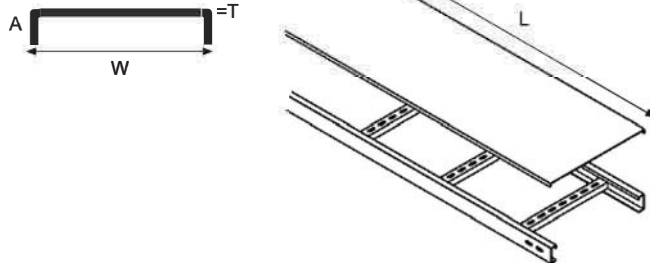


Part No	T	A	L	Kg
GE-EKX-100	2	100	240	0.54
GE-EKX-125	2	125	240	0.62
GE-EKX-150	2	150	240	0.80

Material options: Stainless steel AISI 304 (L) (A2) / AISI 316 (L) (A4), ST-37-42 Mild Steel, Corten A, Pregalvanized steel, Aluminum
 Finish options : Hot Dip Galvanized to EN 1461, Electrogalvanized to TS 149, Electrostatic Paint Coated, Prime coated
 See material & finish option charts for available product specific selections.

GE-KTK1

Solid cover for cable tray/ladder
 Standart kablo kanalı/merdiveni kapağı
 Крышка стандартная для кабельных
 Лестничных лотков

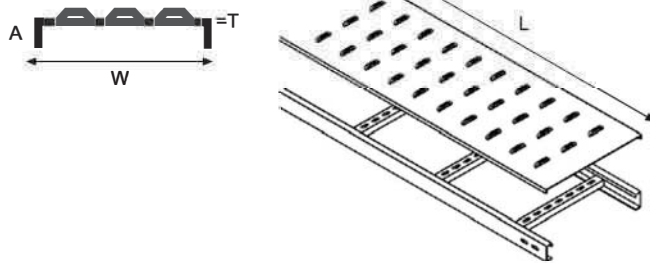


Part No	T	W	A	L	Kg/m
GE-KTK1-10	1	100	12	3000	1.10
GE-KTK1-15	1	150	12	3000	1.50
GE-KTK1-20	1	200	12	3000	2.00
GE-KTK1-25	1	250	12	3000	2.40
GE-KTK1-30	1	300	12	3000	2.80
GE-KTK1-40	1.2	400	12	3000	4.50
GE-KTK1-45	1.2	450	12	3000	5.00
GE-KTK1-50	1.2	500	12	3000	5.60
GE-KTK1-60	1.5	600	12	3000	8.20
GE-KTK1-75	1.5	750	12	3000	10.20
GE-KTK1-90	1.5	900	12	3000	12.15

Custom production available upon request.
 İsteğe göre diğer ölçülerde üretim yapılır.
 Возможно изготовление продукции на заказ.

GE-KTK2

Louvered cover for cable tray/ladder
 Pencere kablo kanalı/merdiveni kapağı
 Крышка стандартная для кабельных
 Лестничных лотков

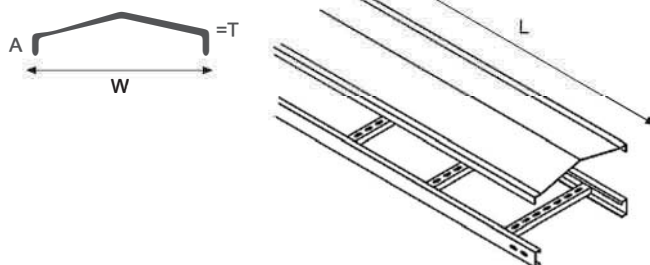


Part No	T	W	A	L	Kg/m
GE-KTK2-10	1	100	12	3000	1.10
GE-KTK2-15	1	150	12	3000	1.50
GE-KTK2-20	1	200	12	3000	2.00
GE-KTK2-25	1	250	12	3000	2.40
GE-KTK2-30	1	300	12	3000	2.80
GE-KTK2-40	1.2	400	12	3000	4.50
GE-KTK2-45	1.2	450	12	3000	5.00
GE-KTK2-50	1.2	500	12	3000	5.60
GE-KTK2-60	1.5	600	12	3000	8.20
GE-KTK2-75	1.5	750	12	3000	10.20
GE-KTK2-90	1.5	900	12	3000	12.15

Custom production available upon request.
 İsteğe göre diğer ölçülerde üretim yapılır.
 Возможно изготовление продукции на заказ.

GE-KTK3

Peaked cover for cable tray/ladder
 Çatılı kablo kanalı/merdiveni kapağı
 Остроконечная крышка для кабельных
 Лестничных лотков



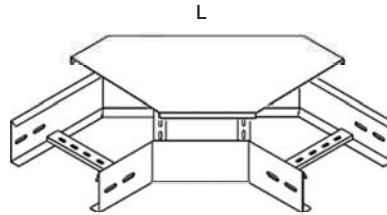
Part No	T	W	A	L	Kg/m
GE-KTK3-10	1	100	12	3000	1.30
GE-KTK3-15	1	150	12	3000	1.80
GE-KTK3-20	1	200	12	3000	2.40
GE-KTK3-25	1	250	12	3000	2.90
GE-KTK3-30	1	300	12	3000	3.00
GE-KTK3-40	1.2	400	12	3000	4.80
GE-KTK3-45	1.2	450	12	3000	5.50
GE-KTK3-50	1.2	500	12	3000	6.00
GE-KTK3-60	1.5	600	12	3000	8.50
GE-KTK3-75	1.5	750	12	3000	10.50
GE-KTK3-90	1.5	900	12	3000	12.60

Custom production available upon request.
 İsteğe göre diğer ölçülerde üretim yapılır.
 Возможно изготовление продукции на заказ.

Material options: Stainless steel AISI 304 (L) (A2) / AISI 316 (L) (A4), ST-37-42 Mild Steel, Corten A, Pregalvanized steel, Aluminum
 Finish options : Hot Dip Galvanized to EN 1461, Electrogalvanized to TS 149, Electrostatic Paint Coated, Prime coated
 See material & finish option charts for available product specific selections.

GE-DK

Cover for flat blend
 Yatay dönüş kapağı
 Крышка горизонтального лотка

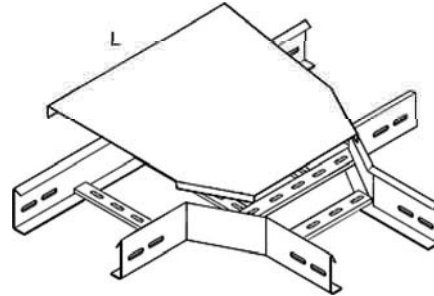


Part No	T	W	A	L	Kg
GE-DK-10	1	100	12	145	0.21
GE-DK-15	1	150	12	195	0.37
GE-DK-20	1	200	12	245	0.57
GE-DK-25	1	250	12	295	0.82
GE-DK-30	1	300	12	345	1.10
GE-DK-40	1.2	400	12	445	2.20
GE-DK-45	1.2	450	12	495	2.70
GE-DK-50	1.2	500	12	545	3.25
GE-DK-60	1.5	600	12	645	5.70
GE-DK-75	1.5	750	12	795	8.55
GE-DK-90	1.5	900	12	945	12.00

Custom production available upon request.
 İsteğe göre diğer ölçülerde üretim yapılır.
 Возможно изготовление продукции на заказ.

GE-TK

Cover for tee
 T kapağı
 Крышка т-образного разветвления

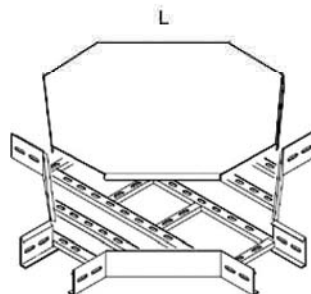


Part No	T	W	A	L	Kg
GE-TK-10	1	100	12	180	0.25
GE-TK-15	1	150	12	230	0.41
GE-TK-20	1	200	12	280	0.63
GE-TK-25	1	250	12	330	0.89
GE-TK-30	1	300	12	380	1.20
GE-TK-40	1.2	400	12	480	2.30
GE-TK-45	1.2	450	12	530	2.80
GE-TK-50	1.2	500	12	580	3.40
GE-TK-60	1.5	600	12	680	5.90
GE-TK-75	1.5	750	12	830	8.82
GE-TK-90	1.5	900	12	980	12.35

Custom production available upon request.
 İsteğe göre diğer ölçülerde üretim yapılır.
 Возможно изготовление продукции на заказ.

GE-DBK

Cover for crossing
 Dörtlü bağlantı kapağı
 крышка крестообразной секции



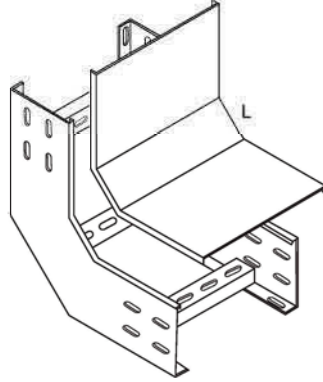
Part No	T	W	A	L	Kg
GE-DBK-10	1	100	12	180	0.29
GE-DBK-15	1	150	12	230	0.47
GE-DBK-20	1	200	12	280	0.69
GE-DBK-25	1	250	12	330	0.96
GE-DBK-30	1	300	12	380	1.27
GE-DBK-40	1.2	400	12	480	2.40
GE-DBK-45	1.2	450	12	530	3.00
GE-DBK-50	1.2	500	12	580	3.60
GE-DBK-60	1.5	600	12	680	6.10
GE-DBK-75	1.5	750	12	830	9.10
GE-DBK-90	1.5	900	12	980	12.70

Custom production available upon request.
 İsteğe göre diğer ölçülerde üretim yapılır.
 Возможно изготовление продукции на заказ.

Material options: Stainless steel AISI 304 (L) (A2) / AISI 316 (L) (A4), ST-37-42 Mild Steel, Corten A, Pregalvanized steel, Aluminum
Finish options : Hot Dip Galvanized to EN 1461, Electrogalvanized to TS 149, Electrostatic Paint Coated, Prime coated
See material & finish option charts for available product specific selections.

GE-IBK

Cover for inside bend
İç bükey караđı
Крышка внутреннего
вертикального угла

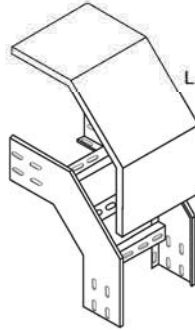


Part No	T	W	A	L	Kg/m
GE-IBK-10	1	100	12	540	0.73
GE-IBK-15	1	150	12	540	1.00
GE-IBK-20	1	200	12	540	1.32
GE-IBK-25	1	250	12	540	1.60
GE-IBK-30	1	300	12	540	1.85
GE-IBK-40	1.2	400	12	540	3.00
GE-IBK-45	1.2	450	12	540	3.30
GE-IBK-50	1.2	500	12	540	3.70
GE-IBK-60	1.5	600	12	540	5.40
GE-IBK-75	1.5	750	12	540	6.75
GE-IBK-90	1.5	900	12	540	8.00

Custom production available upon request.
İsteđe göre diđer ölçülerde üretim yapılır.
Возможно изготовление продукции на заказ.

GE-OBK

Cover for outside bend
Dış bükey караđı
Крышка внешнего
вертикального угла



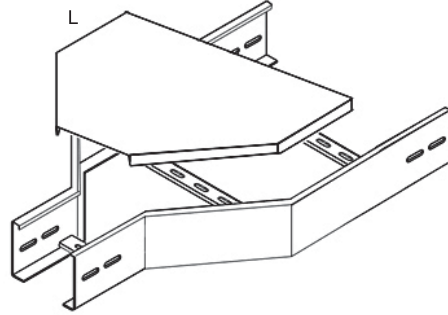
Part No	T	W	A	L	Kg/m
GE-OBK-10	1	100	12	540	0.73
GE-OBK-15	1	150	12	540	1.00
GE-OBK-20	1	200	12	540	1.32
GE-OBK-25	1	250	12	540	1.60
GE-OBK-30	1	300	12	540	1.85
GE-OBK-40	1.2	400	12	540	3.00
GE-OBK-45	1.2	450	12	540	3.30
GE-OBK-50	1.2	500	12	540	3.70
GE-OBK-60	1.5	600	12	540	5.40
GE-OBK-75	1.5	750	12	540	6.75
GE-OBK-90	1.5	900	12	540	8.00

Custom production available upon request.
İsteđe göre diđer ölçülerde üretim yapılır.
Возможно изготовление продукции на заказ.

Material options: Stainless steel AISI 304 (L) (A2) / AISI 316 (L) (A4), ST-37-42 Mild Steel, Corten A, Pregalvanized steel, Aluminum
 Finish options : Hot Dip Galvanized to EN 1461, Electrogalvanized to TS 149, Electrostatic Paint Coated, Prime coated
 See material & finish option charts for available product specific selections.

GE-RK

Reducer cover
 Redüksiyon kapağı
 Крышка редуктора

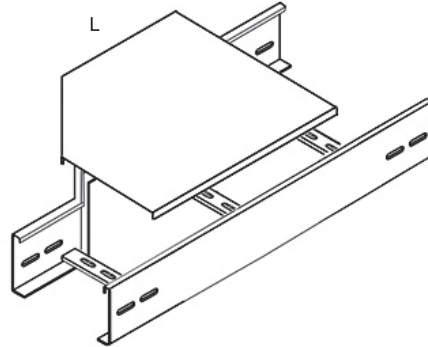
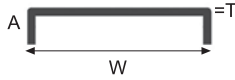


Part No	T	W	A	L	Kg
GE-RK-10-20	1	100-200	12	70	0.15
GE-RK-10-30	1	100-300	12	110	0.25
GE-RK-10-40	1.2	100-400	12	170	0.50
GE-RK-10-50	1.2	100-500	12	210	0.75
GE-RK-10-60	1.5	100-600	12	260	1.10
GE-RK-10-75	1.5	100-750	12	330	1.70
GE-RK-10-90	1.5	100-900	12	420	2.55

Custom production available upon request.
 İsteğe göre diğer ölçülerde üretim yapılır.
 Возможно изготовление продукции на заказ.

GE-RRK

Right reducer cover
 Sağa redüksiyon kapağı
 Крышка редуктора

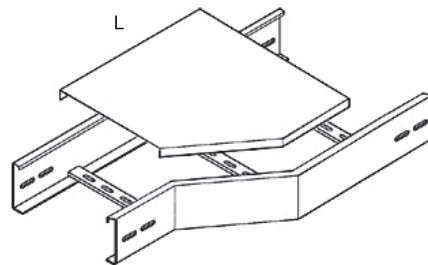
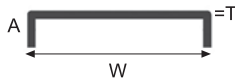


Part No	T	W	A	L	Kg
GE-RRK-10-20	1	100-200	12	70	0.15
GE-RRK-10-30	1	100-300	12	110	0.35
GE-RRK-10-40	1.2	100-400	12	170	0.70
GE-RRK-10-50	1.2	100-500	12	210	1.00
GE-RRK-10-60	1.5	100-600	12	260	1.50
GE-RRK-10-75	1.5	100-750	12	330	2.35
GE-RRK-10-90	1.5	100-900	12	420	3.55

Custom production available upon request.
 İsteğe göre diğer ölçülerde üretim yapılır.
 Возможно изготовление продукции на заказ.

GE-RLK

Left reducer cover
 Sola redüksiyon kapağı
 Крышка редуктора



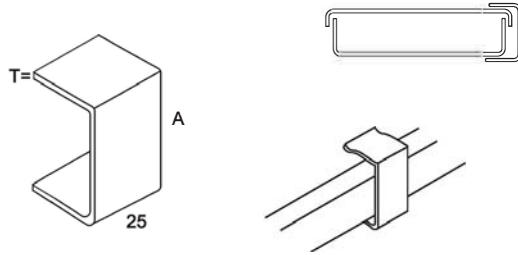
Part No	T	W	A	L	Kg
GE-RLK-10-20	1	100-200	12	70	0.15
GE-RLK-10-30	1	100-300	12	110	0.35
GE-RLK-10-40	1.2	100-400	12	170	0.70
GE-RLK-10-50	1.2	100-500	12	210	1.00
GE-RLK-10-60	1.5	100-600	12	260	1.50
GE-RLK-10-75	1.5	100-750	12	330	2.35
GE-RLK-10-90	1.5	100-900	12	420	3.55

Custom production available upon request.
 İsteğe göre diğer ölçülerde üretim yapılır.
 Возможно изготовление продукции на заказ.

Material options: Stainless steel AISI 304 (L) (A2) / AISI 316 (L) (A4), ST-37-42 Mild Steel, Corten A, Pregalvanized steel, Aluminum
 Finish options : Hot Dip Galvanized to EN 1461, Electrogalvanized to TS 149, Electrostatic Paint Coated, Prime coated
 See material & finish option charts for available product specific selections.

GE-KTKT1

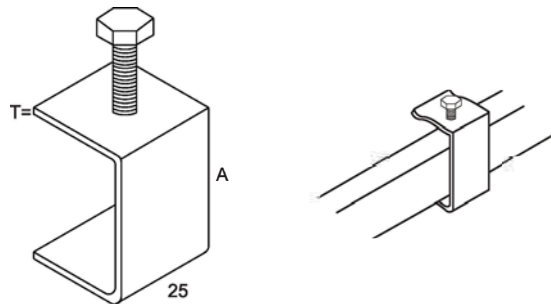
Slide-in cover clamp
 Geçmeli tip kapak kelepçesi
 Скоба для крышка



Part No	T	A	Kg
GE-KTKT1-25	1.5	25	0.026
GE-KTKT1-40	1.5	40	0.032
GE-KTKT1-50	1.5	50	0.035
GE-KTKT1-60	1.5	60	0.039
GE-KTKT1-70	1.5	70	0.042
GE-KTKT1-80	2	80	0.060
GE-KTKT1-100	2	100	0.070
GE-KTKT1-125	2	125	0.080
GE-KTKT1-150	2	150	0.090

GE-KTKT2

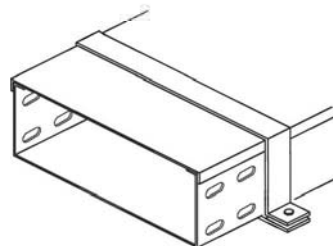
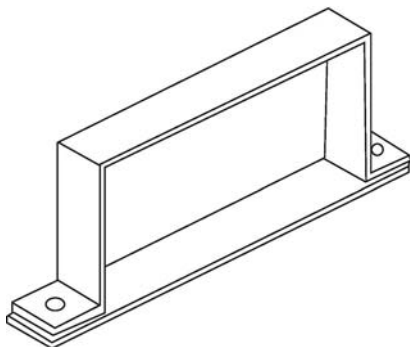
Bolted type cover clamp
 Civatalı tip kapak kelepçesi
 Скоба для крышка



Part No	T	A	Kg
GE-KTKT2-25	2	25	0.050
GE-KTKT2-40	2	40	0.060
GE-KTKT2-50	2	50	0.070
GE-KTKT2-60	2	60	0.080
GE-KTKT2-70	2	70	0.090
GE-KTKT2-80	2	80	0.110
GE-KTKT2-100	2	100	0.120
GE-KTKT2-125	2	125	0.130
GE-KTKT2-150	2	150	0.150

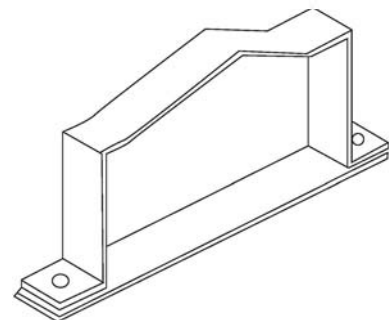
GE-KTKT3

Wrap-around cover clamp
 Kuşaklı tip kapak kelepçesi
 Скоба для крышка



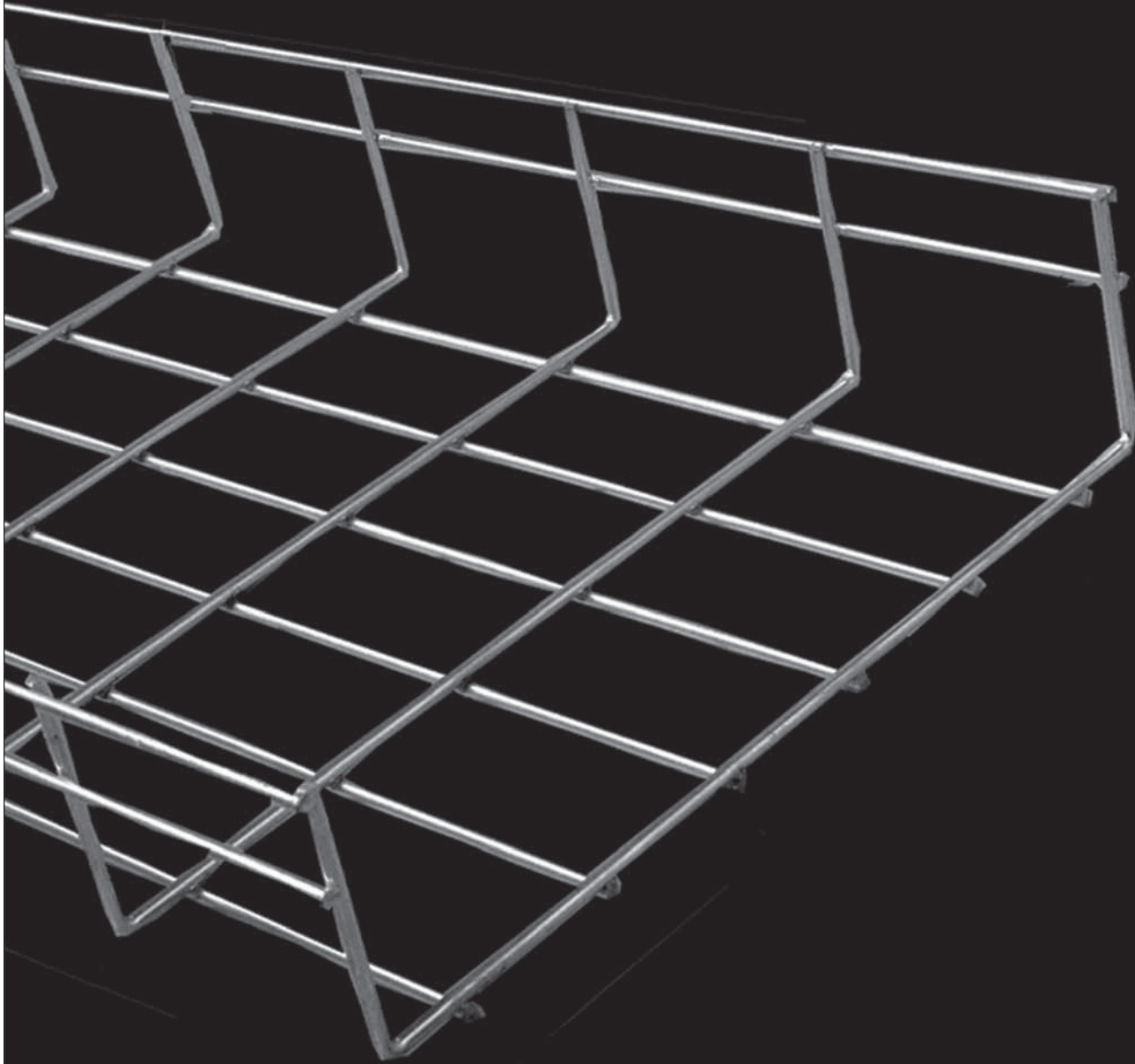
GE-KTKT4

Peak type wrap-around cover clamp
 Çatı tipi kuşaklı kapak kelepçesi
 Скоба для крышка



GERPAAS®

Cable trays
Chemin de câbles
Kabelrinnen
Кабельные лотки
Kablo kanalları

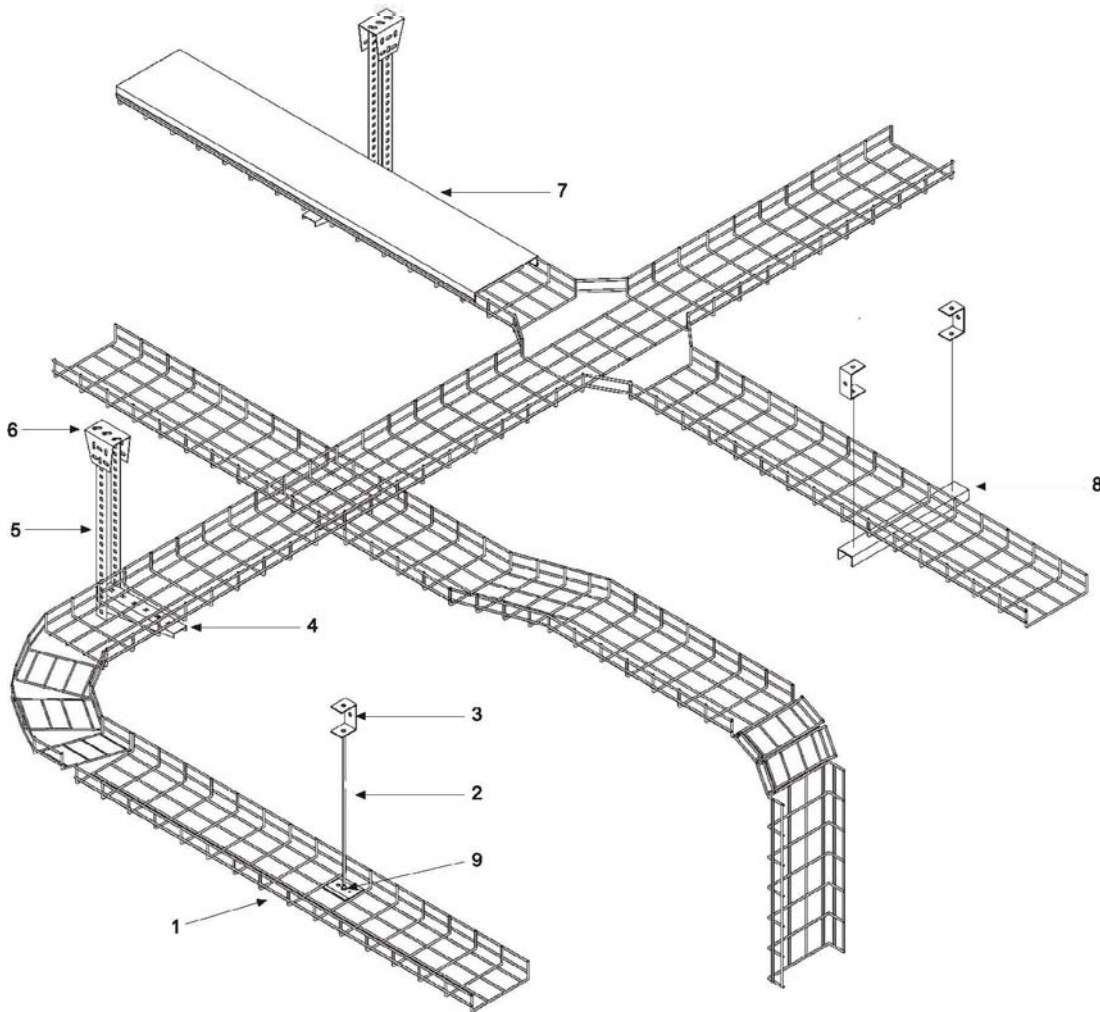


GERPAAAS[®]

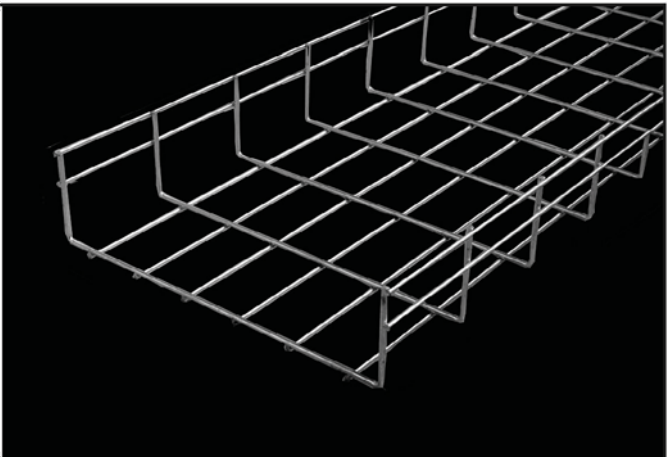
Material options: Stainless steel AISI 304 (L) (A2) / AISI 316 (L) (A4), ST-37-42 Mild Steel, Corten A, Pregalvanized steel, Aluminum
 Finish options : Hot Dip Galvanized to EN 1461, Electrogalvanized to TS 149, Electrostatic Paint Coated, Prime coated
 See material & finish option charts for available product specific selections.

**AVAILABLE IN STAINLESS STEEL
 AND GALVANIZED STEEL OPTIONS**

Wire Mesh Cable Trays
Tel Kablo Kanalları
Проволочные кабельные лотки



- | | |
|-------------|--------------|
| 1)- GE-TLK | 6)- GE-AS2 |
| 2)- GE-KAT | 7)- GE-KTK1 |
| 3)- GE-AE-2 | 8)- GE-AE-5U |
| 4)- GE-KA | 9)- GE-TLKS |
| 5)- GE-U | |



Material options: Stainless steel AISI 304 (L) (A2) / AISI 316 (L) (A4), ST-37-42 Mild Steel, Corten A, Pregalvanized steel, Aluminum
 Finish options : Hot Dip Galvanized to EN 1461, Electrogalvanized to TS 149, Electrostatic Paint Coated, Prime coated
 See material & finish option charts for available product specific selections.

Cable Trays

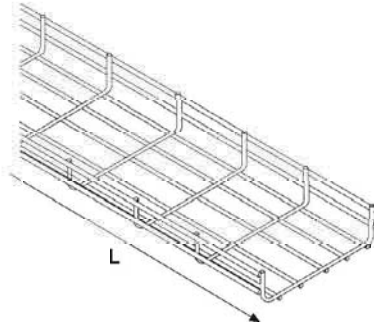
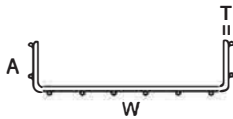
50

GE-TLK1-A50

Wire mesh cable tray

Tel kanal

Системы проволочных лотков



Part No	∅	W	A	L	Kg/m
GE-TLK1-5-A50	4	50	50	3000	0.800
GE-TLK1-10-A50	4	100	50	3000	0.900
GE-TLK1-20-A50	4	200	50	3000	1.300
GE-TLK1-30-A50	4	300	50	3000	1.700
GE-TLK1-40-A50	4	400	50	3000	2.100
GE-TLK1-50-A50	4	500	50	3000	2.500
GE-TLK1-60-A50	4	600	50	3000	2.900

SS4 SS6 EG HDG PG

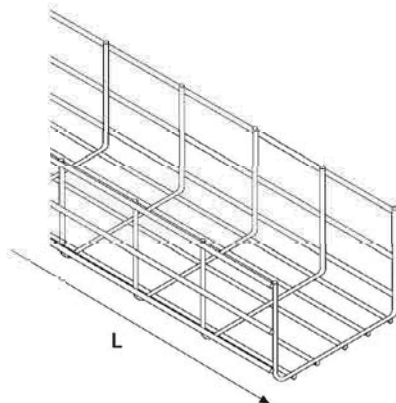
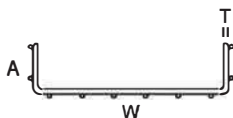
85

GE-TLK1-A85

Wire mesh cable tray

Tel kanal

Системы проволочных лотков



Part No	∅	W	A	L	Kg/m
GE-TLK1-10-A85	4	100	85	3000	1.190
GE-TLK1-20-A85	4	200	85	3000	1.700
GE-TLK1-30-A85	4	300	85	3000	2.100
GE-TLK1-40-A85	4	400	85	3000	2.350
GE-TLK1-50-A85	4	500	85	3000	2.750
GE-TLK1-60-A85	4	600	85	3000	3.100

SS4 SS6 EG HDG PG

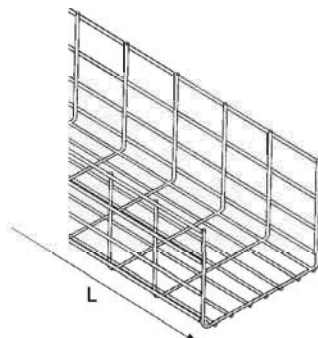
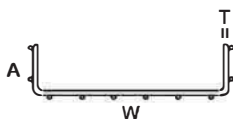
120

GE-TLK1-A120

Wire mesh cable tray

Tel kanal

Системы проволочных лотков



Part No	∅	W	A	L	Kg/m
GE-TLK1-10-A120	4	200	120	3000	1.800
GE-TLK1-20-A120	4	300	120	3000	2.200
GE-TLK1-30-A120	4	400	120	3000	2.600
GE-TLK1-40-A120	4	500	120	3000	3.000
GE-TLK1-50-A120	4	600	120	3000	3.400

SS4 SS6 EG HDG PG

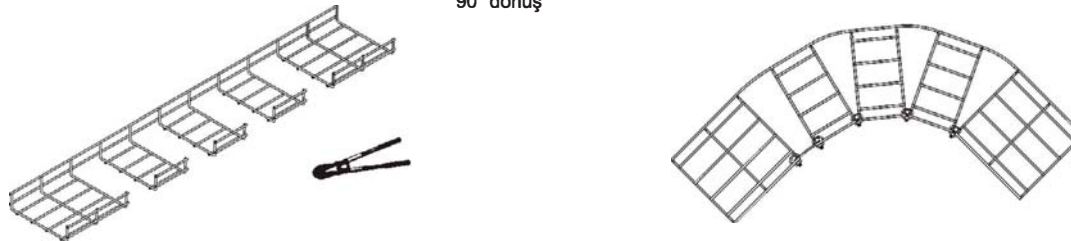
Material options: Stainless steel AISI 304 (L) (A2) / AISI 316 (L) (A4), ST-37-42 Mild Steel, Corten A, Pregalvanized steel, Aluminum
Finish options : Hot Dip Galvanized to EN 1461, Electrogalvanized to TS 149, Electrostatic Paint Coated, Prime coated
See material & finish option charts for available product specific selections.

Cable Trays

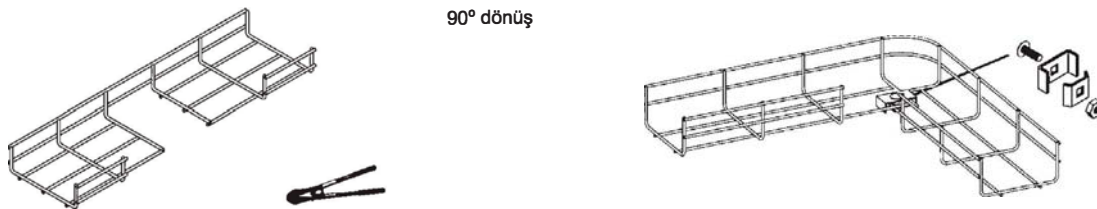
Vertical adjustable wiremesh tray
Dikey seviye ayarlama



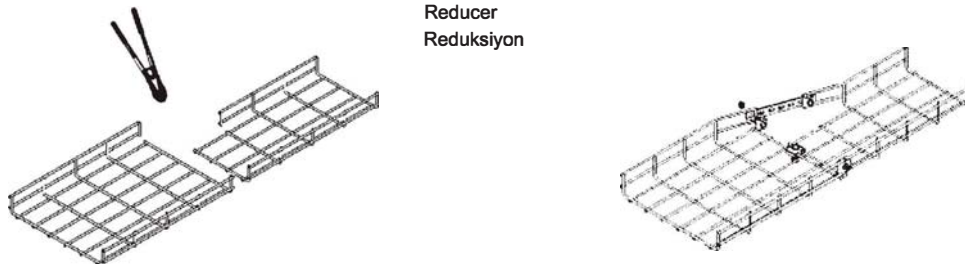
90° bend
90° dönüş



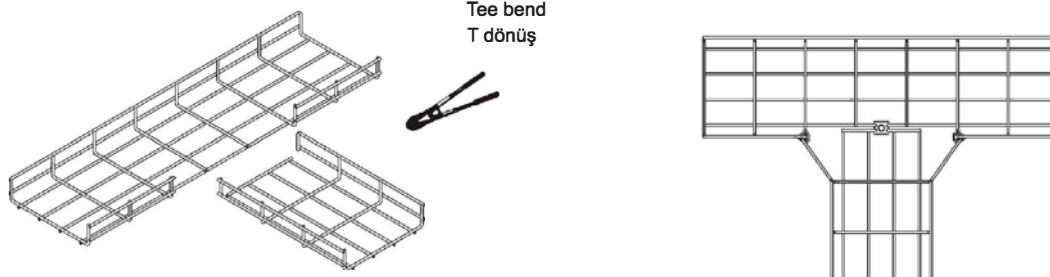
90° bend
90° dönüş



Reducer
Redüksiyon



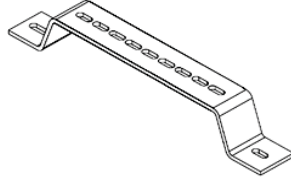
Tee bend
T dönüş



Material options: Stainless steel AISI 304 (L) (A2) / AISI 316 (L) (A4), ST-37-42 Mild Steel, Corten A, Pregalvanized steel, Aluminum
 Finish options : Hot Dip Galvanized to EN 1461, Electrogalvanized to TS 149, Electrostatic Paint Coated, Prime coated
 See material & finish option charts for available product specific selections.

Cable Trays

GE-ZTK
 Base bracket
 Zemine Tespit Elemanı

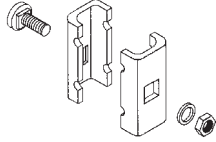


SS4 SS6 EG HDG PG

GE-CUT
 Wire cutter
 Tel makası



GE-TLKS
 Connector for wire mesh cable trays
 Tel kablo kanalı birleştirme parçası



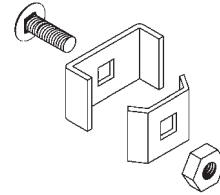
SS4 SS6 EG HDG PG

GE-MDTC
 Hold down clips
 Tespit Elemanı



SS4 SS6 EG HDG PG

GE-TLK-EK
 Connector for wire mesh cable trays
 Tel kablo kanalı birleştirme parçası



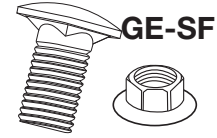
SS4 SS6 EG HDG PG

GE-BFEC
 Earth link
 İletken



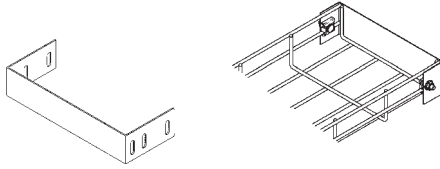
CU

GE-KC-2
 Fixing set
 Civata takımı



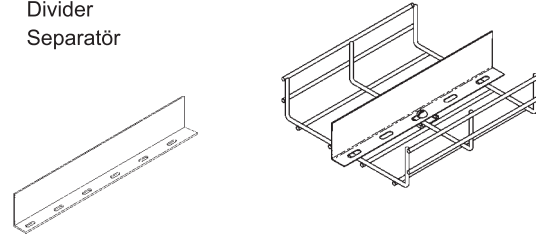
SS4 SS6 EG

GE-SON
 Ending unit
 Tel kanal sonlandırma elemanı



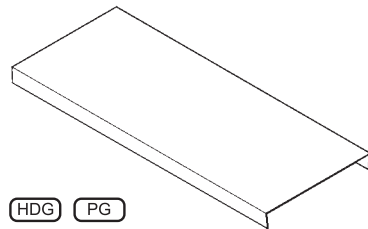
SS4 SS6 EG HDG PG

GE-SPRT
 Divider
 Separatör

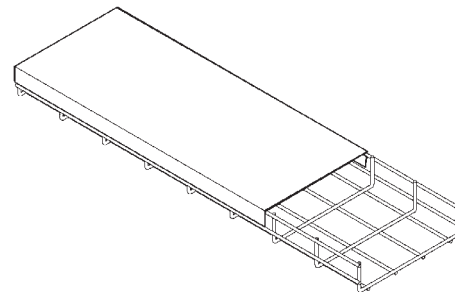


SS4 SS6 EG HDG PG

GE-KTK1
 Cover
 Kapak



SS4 SS6 EG HDG PG

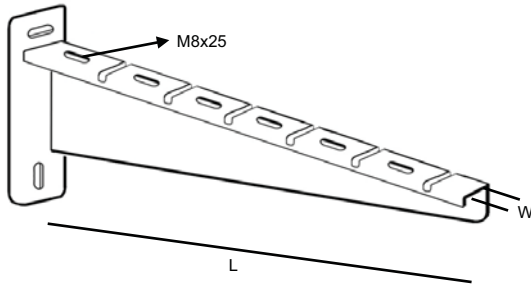


Material options: Stainless steel AISI 304 (L) (A2) / AISI 316 (L) (A4), ST-37-42 Mild Steel, Corten A, Pregalvanized steel, Aluminum
Finish options : Hot Dip Galvanized to EN 1461, Electrogalvanized to TS 149, Electrostatic Paint Coated, Prime coated
See material & finish option charts for available product specific selections.

Cable Trays

GE-TLKKD

Bracket for wire mesh trays
Tel kanal konsolu

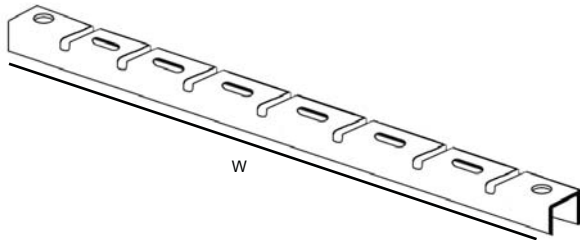


Part No	T	W	L	Kg
GE-TLKKD-5	1,5	40	60	0,23
GE-TLKKD-7	1,5	40	80	0,25
GE-TLKKD-10	1,5	40	110	0,28
GE-TLKKD-15	1,5	40	160	0,34
GE-TLKKD-20	1,5	40	210	0,39
GE-TLKKD-25	1,5	40	260	0,45
GE-TLKKD-30	1,5	40	310	0,50
GE-TLKKD-40	2	40	410	0,89
GE-TLKKD-45	2	40	460	0,97
GE-TLKKD-50	2	40	510	1,05
GE-TLKKD-60	2	40	610	1,21

SS4 SS6 EG HDG

GE-TLKAS

Support bracket for wire mesh trays
Tel kanal tijle askı elemanı

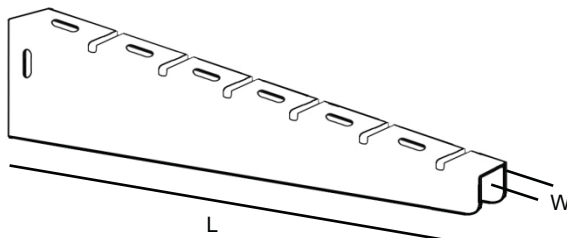


Part No	T	W	Kg
GE-TLKAS-5	2	110	0,12
GE-TLKAS-7	2	130	0,15
GE-TLKAS-10	2	160	0,22
GE-TLKAS-15	2	210	0,30
GE-TLKAS-20	2	260	0,35
GE-TLKAS-25	2	310	0,41
GE-TLKAS-30	2	360	0,48
GE-TLKAS-40	2,5	460	0,88
GE-TLKAS-45	2,5	510	0,97
GE-TLKAS-50	2,5	560	1,06
GE-TLKAS-60	3	660	1,70

SS4 SS6 EG HDG PG

GE-TLKKA

Channel type bracket for wire mesh trays
Tel kanal askı konsolu



Part No	T	W	L	Kg
GE-TLKKA-5	1,5	40	80	0,11
GE-TLKKA-7	1,5	40	100	0,14
GE-TLKKA-10	1,5	40	130	0,18
GE-TLKKA-15	1,5	40	180	0,25
GE-TLKKA-20	1,5	40	230	0,32
GE-TLKKA-25	1,5	40	280	0,38
GE-TLKKA-30	1,5	40	330	0,45
GE-TLKKA-40	2	40	440	0,86
GE-TLKKA-45	2	40	480	0,96
GE-TLKKA-50	2	40	510	1,06
GE-TLKKA-60	2	40	610	1,20

SS4 SS6 EG HDG PG



GERPAAAS[®]



GERPAAS®

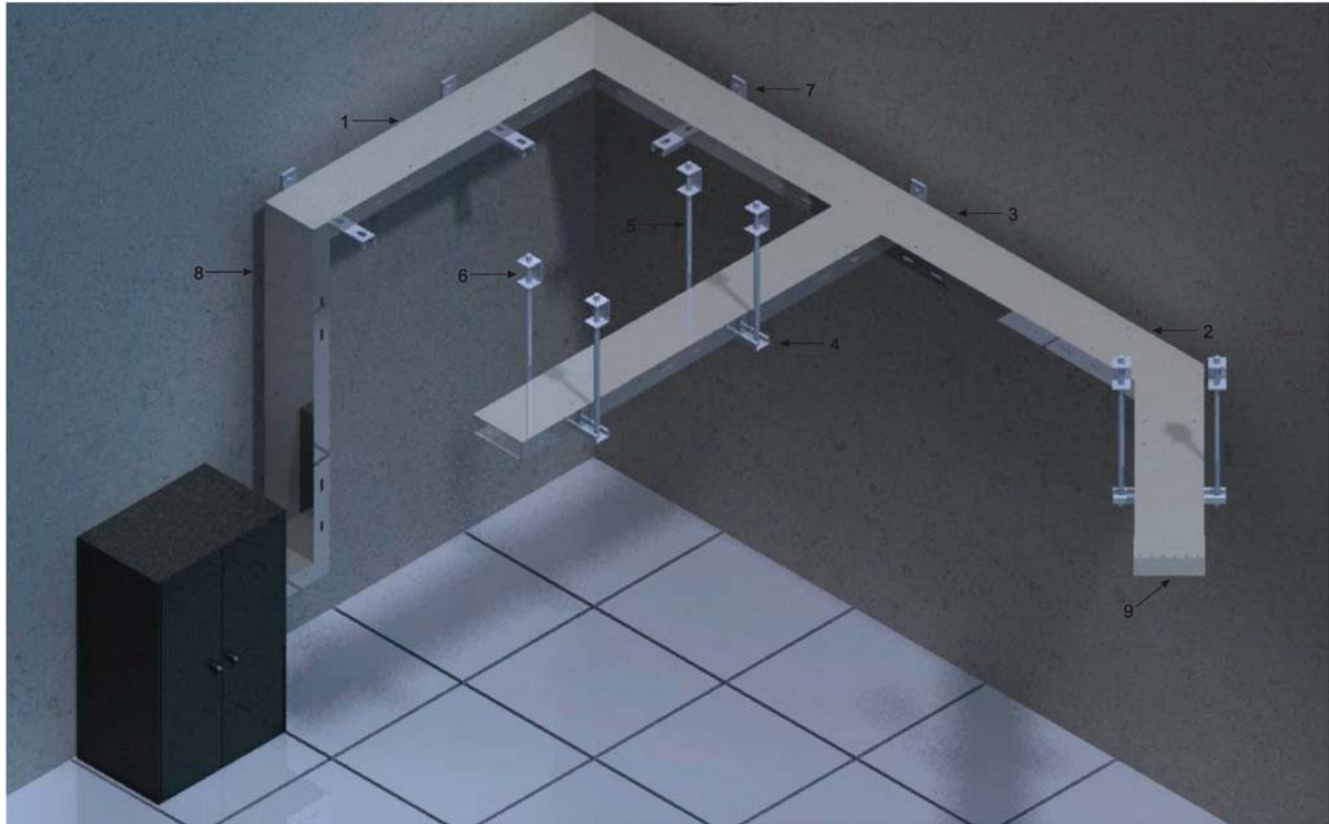
Cable trays
Chemin de câbles
Kabelrinnen
Кабельные лотки
Kablo kanalları



GERPAAAS[®]

Material options: Stainless steel AISI 304 (L) (A2) / AISI 316 (L) (A4), ST-37-42 Mild Steel, Corten A, Pregalvanized steel, Aluminum
 Finish options : Hot Dip Galvanized to EN 1461, Electrogalvanized to TS 149, Electrostatic Paint Coated, Prime coated
 See material & finish option charts for available product specific selections.

Cable Trunkings



- | | |
|------------------|-------------------|
| 1)- GE-TRNK1 | 6)- GE-AE-2 |
| 2)- GE-TRNK1-D45 | 7)- GE-KDC |
| 3)- GE-TRNK1-T | 8)- GE-TRNK1-VB90 |
| 4)- GE-AE-5U | 9)- GE-SON |
| 5)- GE-KAT | |



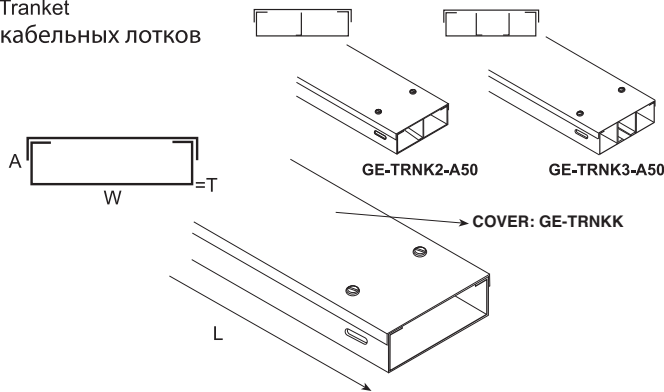
Material options: Stainless steel AISI 304 (L) (A2) / AISI 316 (L) (A4), ST-37-42 Mild Steel, Corten A, Pregalvanized steel, Aluminum
 Finish options : Hot Dip Galvanized to EN 1461, Electrogalvanized to TS 149, Electrostatic Paint Coated, Prime coated
 See material & finish option charts for available product specific selections.

Cable Trunkings

50

GE-TRNK1-A50

Cable trunking
 Tranket
 кабельных лотков



Part No	T	W	A	L	kg/m
GE-TRNK1-5-A50	1.0	50	50	3000	1.85
GE-TRNK1-7-A50	1.2	75	50	3000	2.70
GE-TRNK1-10-A50	1.2	100	50	3000	3.20
GE-TRNK1-15-A50	1.2	150	50	3000	4.00
GE-TRNK1-20-A50	1.5	200	50	3000	6.40
GE-TRNK1-25-A50	1.5	250	50	3000	7.60
GE-TRNK1-30-A50	1.5	300	50	3000	8.80

SS4 SS6 PG HDG

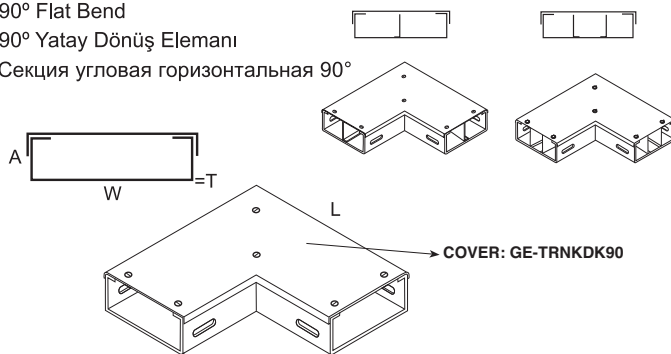
Standard lengths: 3m

Available in additional lengths upto 5m upon request.

Perforated with slot holes in 10.3 x 26mm.

GE-TRNK1-D90-A50

90° Flat Bend
 90° Yatay Dönüş Elemanı
 Секция угловая горизонтальная 90°



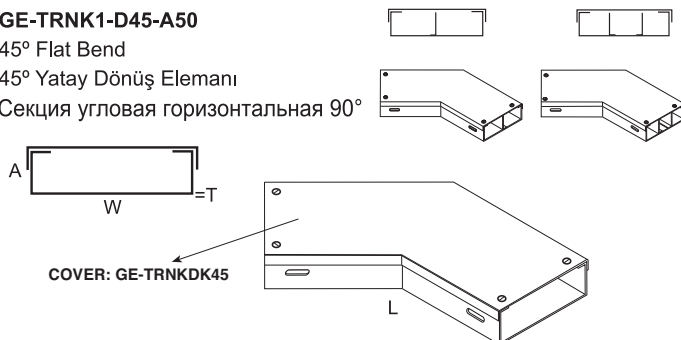
Part No	T	W	A	L	kg
GE-TRNK1-D90-5-A50	1.0	50	50	170	0.55
GE-TRNK1-D90-7-A50	1.2	75	50	195	0.85
GE-TRNK1-D90-10-A50	1.2	100	50	220	1.10
GE-TRNK1-D90-15-A50	1.2	150	50	270	1.60
GE-TRNK1-D90-20-A50	1.5	200	50	320	2.80
GE-TRNK1-D90-25-A50	1.5	250	50	370	3.70
GE-TRNK1-D90-30-A50	1.5	300	50	420	4.75

SS4 SS6 PG HDG

Sample order: GE-TRNK1 D90 5 A15 HDG
 (Series + Product + Width + Height + Finish)

GE-TRNK1-D45-A50

45° Flat Bend
 45° Yatay Dönüş Elemanı
 Секция угловая горизонтальная 45°

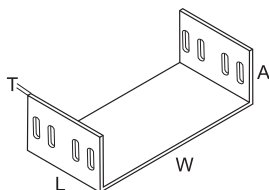


Part No	T	W	A	L	kg
GE-TRNK1-D45-5-A50	1.0	50	50	320	0.60
GE-TRNK1-D45-7-A50	1.2	75	50	350	1.00
GE-TRNK1-D45-10-A50	1.2	100	50	380	1.20
GE-TRNK1-D45-15-A50	1.2	150	50	430	1.70
GE-TRNK1-D45-20-A50	1.5	200	50	480	3.00
GE-TRNK1-D45-25-A50	1.5	250	50	530	4.00
GE-TRNK1-D45-30-A50	1.5	300	50	580	5.10

SS4 SS6 PG HDG

GE-TRNK-EK-50

Ek Parçası
 Splice Plate
 Связующий элемент



Part No	T	W	A	L	kg
GE-TRNK-EK-5-A50	1.0	50	50	100	0.12
GE-TRNK-EK-7-A50	1.2	75	50	100	0.17
GE-TRNK-EK-10-A50	1.2	100	50	100	0.20
GE-TRNK-EK-15-A50	1.2	150	50	100	0.25
GE-TRNK-EK-20-A50	1.5	200	50	100	0.36
GE-TRNK-EK-25-A50	1.5	250	50	100	0.42
GE-TRNK-EK-30-A50	1.5	300	50	100	0.48

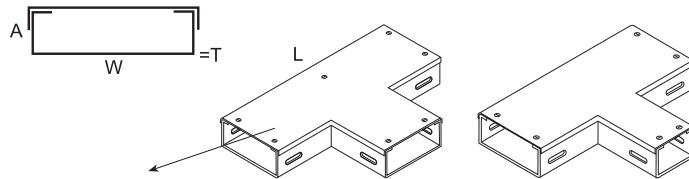
Material options: Stainless steel AISI 304 (L) (A2) / AISI 316 (L) (A4), ST-37-42 Mild Steel, Corten A, Pregalvanized steel, Aluminum
 Finish options : Hot Dip Galvanized to EN 1461, Electrogalvanized to TS 149, Electrostatic Paint Coated, Prime coated
 See material & finish option charts for available product specific selections.

Cable Trunkings

50

GE-TRNK1-T-A50

Tee
 T Elemanı
 T образное азветвление

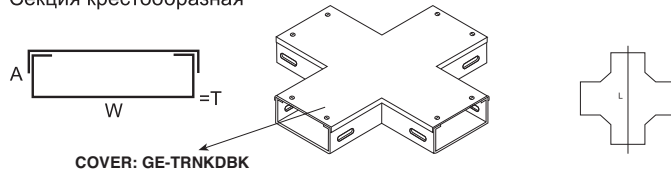


Part No	T	W	A	L	kg
GE-TRNK1-T-5-A50	1.0	50	50	280	0.75
GE-TRNK1-T-7-A50	1.2	75	50	305	1.15
GE-TRNK1-T-10-A50	1.2	100	50	330	1.65
GE-TRNK1-T-15-A50	1.2	150	50	380	2.40
GE-TRNK1-T-20-A50	1.5	200	50	430	4.20
GE-TRNK1-T-25-A50	1.5	250	50	480	5.50
GE-TRNK1-T-30-A50	1.5	300	50	530	7.15

SS4 SS6 PG HDG

GE-TRNK1-DB-A50

Crossing
 Dörtlü Bağlantı Elemanı
 Секция крестообразная

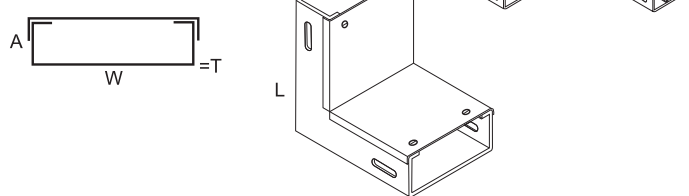


Part No	T	W	A	L	kg
GE-TRNK1-DB-5-A50	1.0	50	50	280	0.95
GE-TRNK1-DB-7-A50	1.2	75	50	305	1.45
GE-TRNK1-DB-10-A50	1.2	100	50	330	2.10
GE-TRNK1-DB-15-A50	1.2	150	50	380	3.00
GE-TRNK1-DB-20-A50	1.5	200	50	430	5.20
GE-TRNK1-DB-25-A50	1.5	250	50	480	6.90
GE-TRNK1-DB-30-A50	1.5	300	50	530	8.90

SS4 SS6 PG HDG

GE-TRNK1-VB90-A50

90° Vertical Bend
 90° Dikey Çıkış elemanı
 Внешний угловой элемент 90°

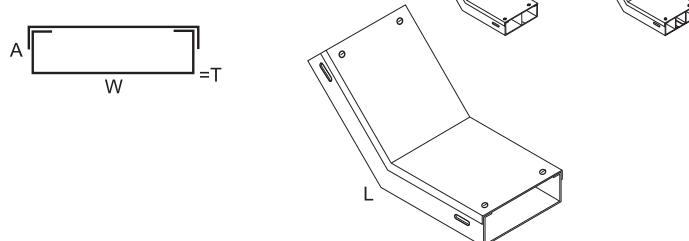


Part No	T	W	A	L	kg
GE-TRNK1-VB90-5-A50	1.0	50	50	200	0.37
GE-TRNK1-VB90-7-A50	1.2	75	50	200	0.54
GE-TRNK1-VB90-10-A50	1.2	100	50	200	0.64
GE-TRNK1-VB90-15-A50	1.2	150	50	200	0.80
GE-TRNK1-VB90-20-A50	1.5	200	50	200	1.30
GE-TRNK1-VB90-25-A50	1.5	250	50	200	1.50
GE-TRNK1-VB90-30-A50	1.5	300	50	200	1.80

SS4 SS6 PG HDG

GE-TRNK1-VB45-A50

45° Vertical Bend
 45° Dikey Çıkış elemanı
 Внешний угловой элемент 45°



Part No	T	W	A	L	kg
GE-TRNK1-VB45-5-A50	1.0	50	50	340	0.65
GE-TRNK1-VB45-7-A50	1.2	75	50	340	0.92
GE-TRNK1-VB45-10-A50	1.2	100	50	340	1.10
GE-TRNK1-VB45-15-A50	1.2	150	50	340	1.40
GE-TRNK1-VB45-20-A50	1.5	200	50	340	2.20
GE-TRNK1-VB45-25-A50	1.5	250	50	340	2.60
GE-TRNK1-VB45-30-A50	1.5	300	50	340	3.00

SS4 SS6 PG HDG

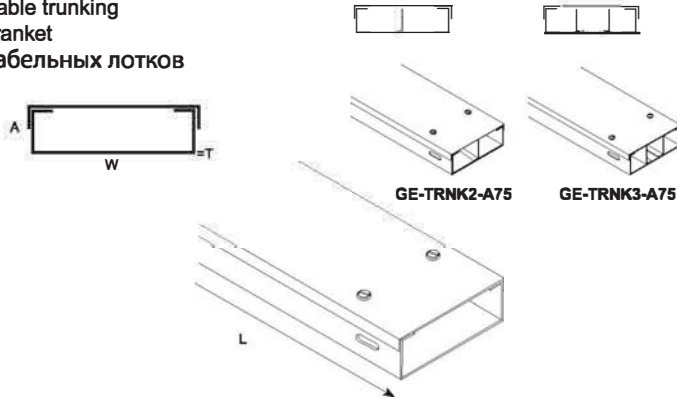
Material options: Stainless steel AISI 304 (L) (A2) / AISI 316 (L) (A4), ST-37-42 Mild Steel, Corten A, Pregalvanized steel, Aluminum
 Finish options : Hot Dip Galvanized to EN 1461, Electrogalvanized to TS 149, Electrostatic Paint Coated, Prime coated
 See material & finish option charts for available product specific selections.

Cable Trunkings

75

GE-TRNK1-A75

Cable trunking
Trançet
кабельных лотков



Part No	T	W	A	L	kg/m
GE-TRNK1-7-A75	1.2	75	75	3000	3.20
GE-TRNK1-10-A75	1.2	100	75	3000	3.70
GE-TRNK1-15-A75	1.2	150	75	3000	4.60
GE-TRNK1-20-A75	1.5	200	75	3000	7.00
GE-TRNK1-25-A75	1.5	250	75	3000	8.20
GE-TRNK1-30-A75	1.5	300	75	3000	9.40

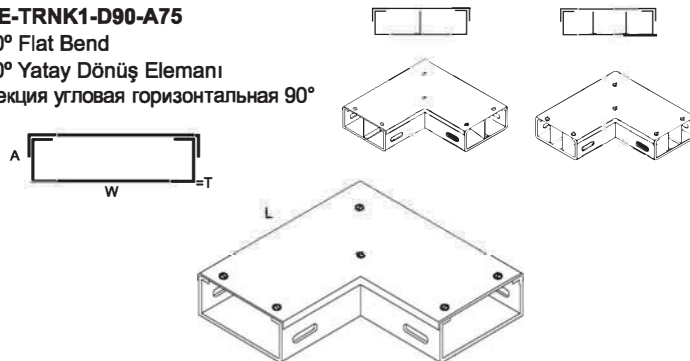
SS4
 SS6
 PG
 HDG

Standard lengths: 3m

Available in additional lengths upto 5m upon request.
Perforated with slot holes in 10.3 x 26mm.

GE-TRNK1-D90-A75

90° Flat Bend
90° Yatay Dönüş Elemanı
Секция угловая горизонтальная 90°



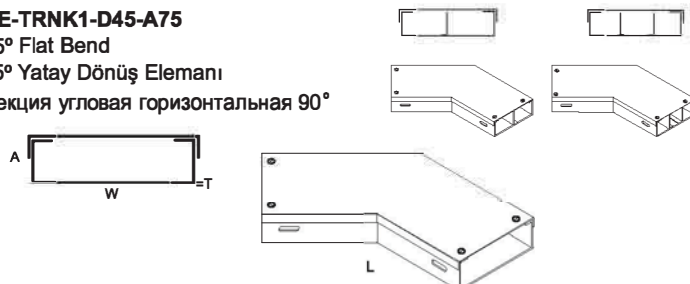
Part No	T	W	A	L	kg
GE-TRNK1-D90-7-A75	1.2	75	75	195	1.00
GE-TRNK1-D90-10-A75	1.2	100	75	220	1.30
GE-TRNK1-D90-15-A75	1.2	150	75	270	1.80
GE-TRNK1-D90-20-A75	1.5	200	75	320	3.10
GE-TRNK1-D90-25-A75	1.5	250	75	370	4.00
GE-TRNK1-D90-30-A75	1.5	300	75	420	5.10

SS4
 SS6
 PG
 HDG

Sample order: GE-TRNK1 D90 5 A75 HDG
(Series + Product +Width + Height + Finish)

GE-TRNK1-D45-A75

45° Flat Bend
45° Yatay Dönüş Elemanı
Секция угловая горизонтальная 45°

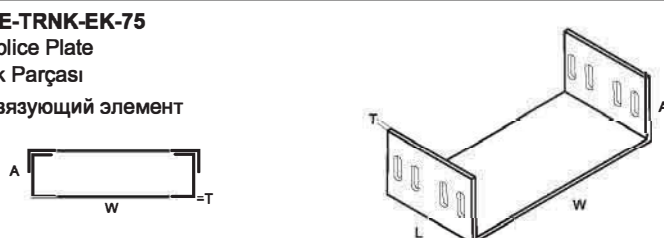


Part No	T	W	A	L	kg
GE-TRNK1-D45-7-A75	1.2	75	75	350	1.15
GE-TRNK1-D45-10-A75	1.2	100	75	380	1.40
GE-TRNK1-D45-15-A75	1.2	150	75	430	2.00
GE-TRNK1-D45-20-A75	1.5	200	75	480	3.40
GE-TRNK1-D45-25-A75	1.5	250	75	530	4.35
GE-TRNK1-D45-30-A75	1.5	300	75	580	5.50

SS4
 SS6
 PG
 HDG

GE-TRNK-EK-75

Splice Plate
Ek Parçası
Связующий элемент



Part No	T	W	A	L	kg
GE-TRNK-EK-7-A75	1.2	75	75	100	0.22
GE-TRNK-EK-10-A75	1.2	100	75	100	0.25
GE-TRNK-EK-15-A75	1.2	150	75	100	0.30
GE-TRNK-EK-20-A75	1.5	200	75	100	0.42
GE-TRNK-EK-25-A75	1.5	250	75	100	0.48
GE-TRNK-EK-30-A75	1.5	300	75	100	0.54

Material options: Stainless steel AISI 304 (L) (A2) / AISI 316 (L) (A4), ST-37-42 Mild Steel, Corten A, Pregalvanized steel, Aluminum
 Finish options : Hot Dip Galvanized to EN 1461, Electrogalvanized to TS 149, Electrostatic Paint Coated, Prime coated
 See material & finish option charts for available product specific selections.

Cable Trunkings

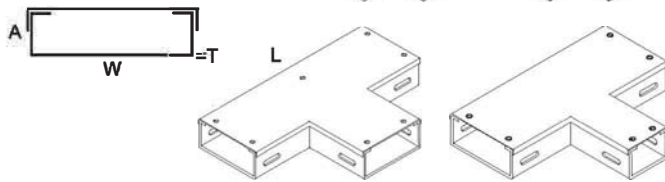
75

GE-TRNK1-T-A75

Tee

T Elemanı

T образное азветвление



Part No	T	W	A	L	kg
GE-TRNK1-T-7-A75	1.2	75	75	305	1.50
GE-TRNK1-T-10-A75	1.2	100	75	330	1.95
GE-TRNK1-T-15-A75	1.2	150	75	380	2.70
GE-TRNK1-T-20-A75	1.5	200	75	430	4.65
GE-TRNK1-T-25-A75	1.5	250	75	480	6.00
GE-TRNK1-T-30-A75	1.5	300	75	530	7.65

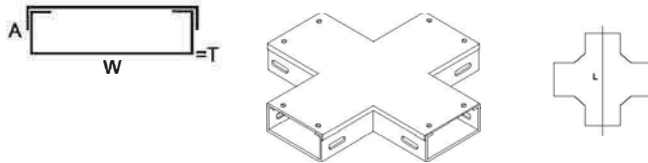
SS4 SS6 PG HDG

GE-TRNK1-DB-A75

Crossing

Dörtlü Bağlantı Elemanı

Секция крестообразная



Part No	T	W	A	L	kg
GE-TRNK1-DB-7-A75	1.2	75	75	305	1.90
GE-TRNK1-DB-10-A75	1.2	100	75	330	2.40
GE-TRNK1-DB-15-A75	1.2	150	75	380	3.40
GE-TRNK1-DB-20-A75	1.5	200	75	430	5.80
GE-TRNK1-DB-25-A75	1.5	250	75	480	7.50
GE-TRNK1-DB-30-A75	1.5	300	75	530	9.60

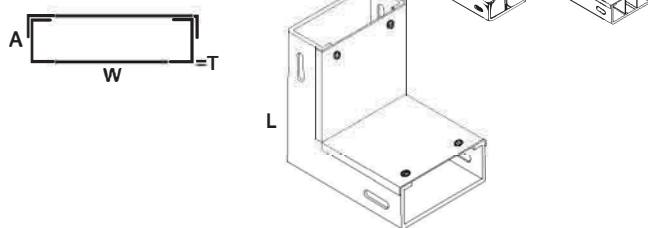
SS4 SS6 PG HDG

GE-TRNK1-VB90-A75

90° Vertical Bend

90° Dikey Çıkış elemanı

Внешний угловой элемент 90°



Part No	T	W	A	L	kg
GE-TRNK1-VB90-7-A75	1.2	75	75	200	0.65
GE-TRNK1-VB90-10-A75	1.2	100	75	200	0.75
GE-TRNK1-VB90-15-A75	1.2	150	75	200	0.90
GE-TRNK1-VB90-20-A75	1.5	200	75	200	1.40
GE-TRNK1-VB90-25-A75	1.5	250	75	200	1.70
GE-TRNK1-VB90-30-A75	1.5	300	75	200	2.00

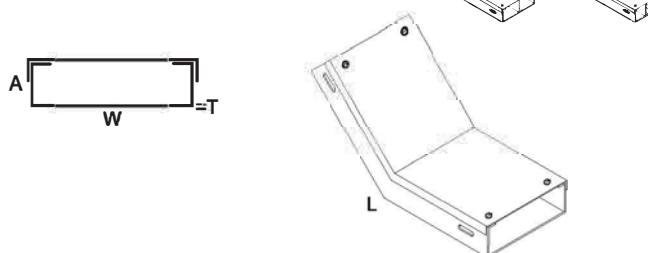
SS4 SS6 PG HDG

GE-TRNK1-VB45-A75

45° Vertical Bend

45° Dikey Çıkış elemanı

Внешний угловой элемент 45°



Part No	T	W	A	L	kg
GE-TRNK1-VB45-7-A75	1.2	75	75	340	1.10
GE-TRNK1-VB45-10-A75	1.2	100	75	340	1.30
GE-TRNK1-VB45-15-A75	1.2	150	75	340	1.60
GE-TRNK1-VB45-20-A75	1.5	200	75	340	2.40
GE-TRNK1-VB45-25-A75	1.5	250	75	340	2.80
GE-TRNK1-VB45-30-A75	1.5	300	75	340	3.20

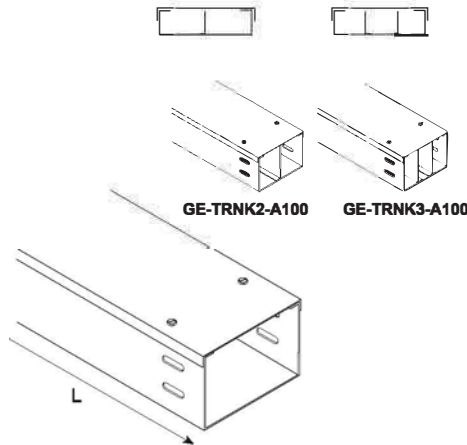
SS4 SS6 PG HDG

Material options: Stainless steel AISI 304 (L) (A2) / AISI 316 (L) (A4), ST-37-42 Mild Steel, Corten A, Pregalvanized steel, Aluminum
 Finish options : Hot Dip Galvanized to EN 1461, Electrogalvanized to TS 149, Electrostatic Paint Coated, Prime coated
 See material & finish option charts for available product specific selections.

Cable Trunkings

100

GE-TRNK1-A100
 Cable trunking
 Tranket
 кабельных лотков

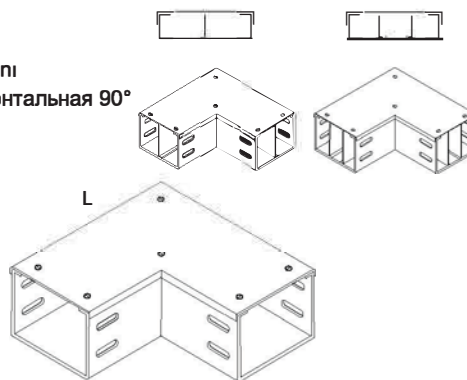
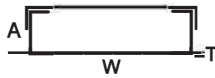


Part No	T	W	A	L	kg/m
GE-TRNK1-10-A100	1.2	100	100	3000	4.15
GE-TRNK1-15-A100	1.2	150	100	3000	5.10
GE-TRNK1-20-A100	1.5	200	100	3000	7.60
GE-TRNK1-25-A100	1.5	250	100	3000	8.80
GE-TRNK1-30-A100	1.5	300	100	3000	10.00

SS4 SS6 PG HDG

Standard lengths: 3m
 Available in additional lengths upto 5m upon request.
 Perforated with slot holes in 10.3 x 26mm.

GE-TRNK1-D90-A100
 90° Flat Bend
 90° Yatay Dönüş Elemanı
 Секция угловая горизонтальная 90°

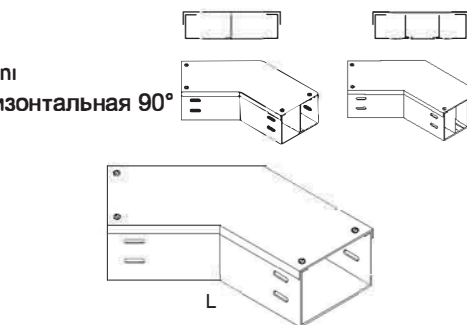


Part No	T	W	A	L	kg
GE-TRNK1-D90-10-A100	1.2	100	100	220	1.40
GE-TRNK1-D90-15-A100	1.2	150	100	270	2.00
GE-TRNK1-D90-20-A100	1.5	200	100	320	3.40
GE-TRNK1-D90-25-A100	1.5	250	100	370	4.30
GE-TRNK1-D90-30-A100	1.5	300	100	420	5.40

SS4 SS6 PG HDG

Sample order: GE-TRNK1 D90 5 A100 HDG
 (Series + Product +Width + Height + Finish)

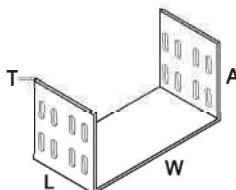
GE-TRNK1-D45-A100
 45° Flat Bend
 45° Yatay Dönüş Elemanı
 Секция угловая горизонтальная 90°



Part No	T	W	A	L	kg
GE-TRNK1-D45-10-A100	1.2	100	100	380	1.60
GE-TRNK1-D45-15-A100	1.2	150	100	430	2.20
GE-TRNK1-D45-20-A100	1.5	200	100	480	3.70
GE-TRNK1-D45-25-A100	1.5	250	100	530	4.60
GE-TRNK1-D45-30-A100	1.5	300	100	580	5.80

SS4 SS6 PG HDG

GE-TRNK-EK-100
 Ek Parçası
 Splice Plate
 Связующий элемент



Part No	T	W	A	L	kg
GE-TRNK-EK-10-A100	1.2	100	100	100	0.30
GE-TRNK-EK-15-A100	1.2	150	100	100	0.35
GE-TRNK-EK-20-A100	1.5	200	100	100	0.48
GE-TRNK-EK-25-A100	1.5	250	100	100	0.54
GE-TRNK-EK-30-A100	1.5	300	100	100	0.60

SS4 SS6 PG HDG

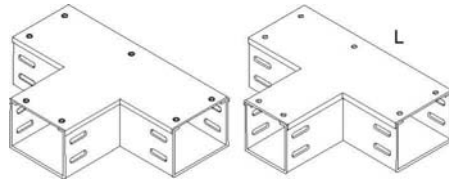
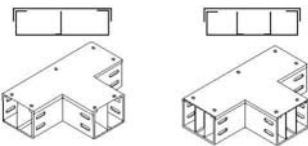
Material options: Stainless steel AISI 304 (L) (A2) / AISI 316 (L) (A4), ST-37-42 Mild Steel, Corten A, Pregalvanized steel, Aluminum
 Finish options : Hot Dip Galvanized to EN 1461, Electrogalvanized to TS 149, Electrostatic Paint Coated, Prime coated
 See material & finish option charts for available product specific selections.

Cable Trunkings

100

GE-TRNK1-T-A100

Tee
 T Elemanı
 T образное азветвление

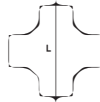
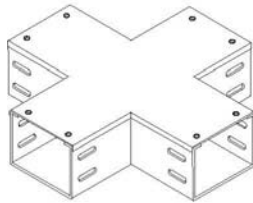
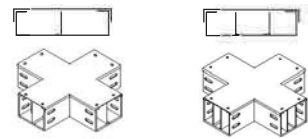
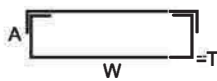


Part No	T	W	A	L	kg
GE-TRNK1-T-10-A100	1.2	100	100	330	2.10
GE-TRNK1-T-15-A100	1.2	150	100	380	3.00
GE-TRNK1-T-20-A100	1.5	200	100	430	5.10
GE-TRNK1-T-25-A100	1.5	250	100	480	6.45
GE-TRNK1-T-30-A100	1.5	300	100	530	8.10

SS4 SS6 PG HDG

GE-TRNK1-DB-A100

Crossing
 Dörtlü Bağlantı Elemanı
 Секция крестообразная

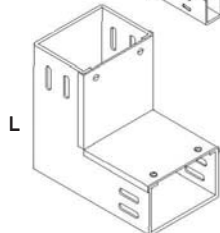
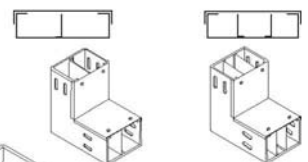
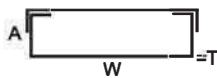


Part No	T	W	A	L	kg
GE-TRNK1-DB-10-A100	1.2	100	100	330	2.60
GE-TRNK1-DB-15-A100	1.2	150	100	380	3.75
GE-TRNK1-DB-20-A100	1.5	200	100	430	6.40
GE-TRNK1-DB-25-A100	1.5	250	100	480	8.00
GE-TRNK1-DB-30-A100	1.5	300	100	530	10.00

SS4 SS6 PG HDG

GE-TRNK1-VB90-A100

90° Vertical Bend
 90° Dikey Çıkış elemanı
 Внешний угловой элемент 90°

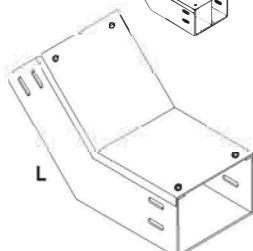
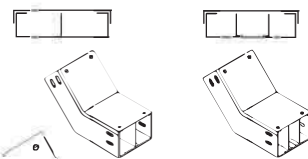


Part No	T	W	A	L	kg
GE-TRNK1-VB90-10-A100	1.2	100	100	200	0.83
GE-TRNK1-VB90-15-A100	1.2	150	100	200	1.00
GE-TRNK1-VB90-20-A100	1.5	200	100	200	1.50
GE-TRNK1-VB90-25-A100	1.5	250	100	200	1.80
GE-TRNK1-VB90-30-A100	1.5	300	100	200	2.10

SS4 SS6 PG HDG

GE-TRNK1-VB45-A100

45° Vertical Bend
 45° Dikey Çıkış elemanı
 Внешний угловой элемент 45°



Part No	T	W	A	L	kg
GE-TRNK1-VB45-10-A100	1.2	100	100	340	1.40
GE-TRNK1-VB45-15-A100	1.2	150	100	340	1.75
GE-TRNK1-VB45-20-A100	1.5	200	100	340	2.60
GE-TRNK1-VB45-25-A100	1.5	250	100	340	3.00
GE-TRNK1-VB45-30-A100	1.5	300	100	340	3.40

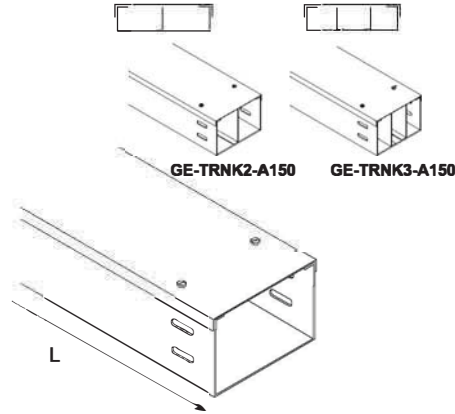
SS4 SS6 PG HDG

Material options: Stainless steel AISI 304 (L) (A2) / AISI 316 (L) (A4), ST-37-42 Mild Steel, Corten A, Pregalvanized steel, Aluminum
 Finish options : Hot Dip Galvanized to EN 1461, Electrogalvanized to TS 149, Electrostatic Paint Coated, Prime coated
 See material & finish option charts for available product specific selections.

Cable Trunkings

150

GE-TRNK1-A150
 Cable trunking
 Tranket
 кабельных лотков



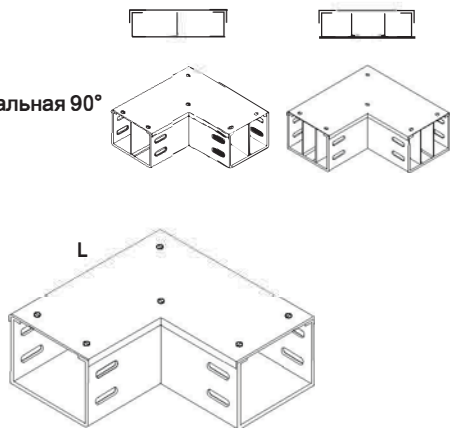
Part No	T	W	A	L	kg/m
GE-TRNK1-15-A150	1.2	150	150	3000	6.05
GE-TRNK1-20-A150	1.5	200	150	3000	8.80
GE-TRNK1-25-A150	1.5	250	150	3000	10.00
GE-TRNK1-30-A150	1.5	300	150	3000	11.20

SS4 SS6 PG HDG

Standard lengths: 3m

Available in additional lengths upto 5m upon request.
 Perforated with slot holes in 10.3 x 26mm.

GE-TRNK1-D90-A150
 90° Flat Bend
 90° Yatay Dönüş Elemanı
 Секция угловая горизонтальная 90°

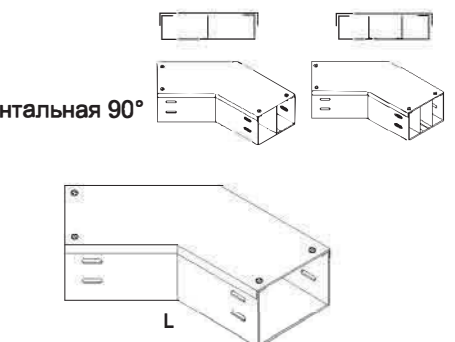


Part No	T	W	A	L	kg
GE-TRNK1-D90-15-A150	1.2	150	150	270	2.40
GE-TRNK1-D90-20-A150	1.5	200	150	320	3.90
GE-TRNK1-D90-25-A150	1.5	250	150	370	5.00
GE-TRNK1-D90-30-A150	1.5	300	150	420	6.10

SS4 SS6 PG HDG

Sample order: GE-TRNK1 D90 5 A150 HDG
 (Series + Product +Width + Height + Finish)

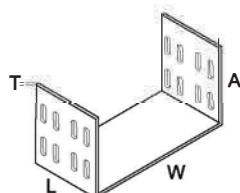
GE-TRNK1-D45-A150
 45° Flat Bend
 45° Yatay Dönüş Elemanı
 Секция угловая горизонтальная 45°



Part No	T	W	A	L	kg
GE-TRNK1-D45-15-A150	1.2	150	150	430	2.60
GE-TRNK1-D45-20-A150	1.5	200	150	480	4.25
GE-TRNK1-D45-25-A150	1.5	250	150	530	5.30
GE-TRNK1-D45-30-A150	1.5	300	150	580	6.50

SS4 SS6 PG HDG

GE-TRNK-EK-150
 Ek Parçası
 Splice Plate
 Связующий элемент



Part No	T	W	A	L	kg
GE-TRNK-EK-15-A150	1.2	150	150	100	0.45
GE-TRNK-EK-20-A150	1.5	200	150	100	0.60
GE-TRNK-EK-25-A150	1.5	250	150	100	0.70
GE-TRNK-EK-30-A150	1.5	300	150	100	0.72

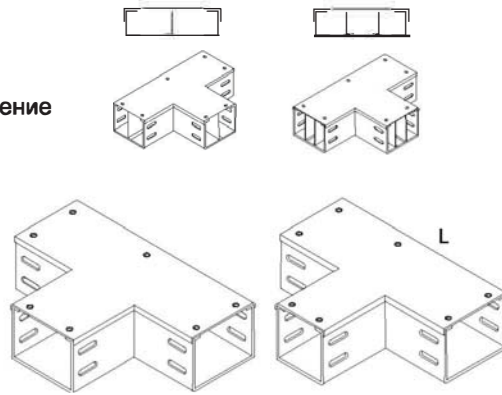
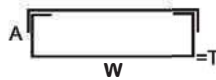
Material options: Stainless steel AISI 304 (L) (A2) / AISI 316 (L) (A4), ST-37-42 Mild Steel, Corten A, Pregalvanized steel, Aluminum
 Finish options : Hot Dip Galvanized to EN 1461, Electrogalvanized to TS 149, Electrostatic Paint Coated, Prime coated
 See material & finish option charts for available product specific selections.

Cable Trunkings

150

GE-TRNK1-T-A150

Tee
 T Elemanı
 T образное азветвление

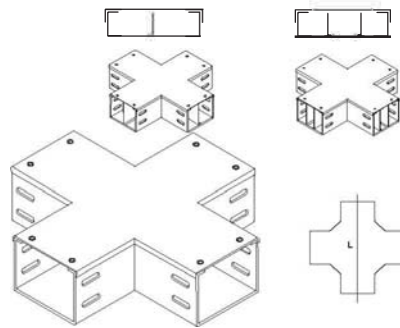
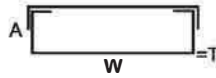


Part No	T	W	A	L	kg
GE-TRNK1-T-15-A150	1.2	150	150	380	3.60
GE-TRNK1-T-20-A150	1.5	200	150	430	5.90
GE-TRNK1-T-25-A150	1.5	250	150	480	7.50
GE-TRNK1-T-30-A150	1.5	300	150	530	9.00

SS4 **SS6** **PG** **(HDG)**

GE-TRNK1-DB-A150

Crossing
 Dörtlü Bağlantı Elemanı
 Секция крестообразная

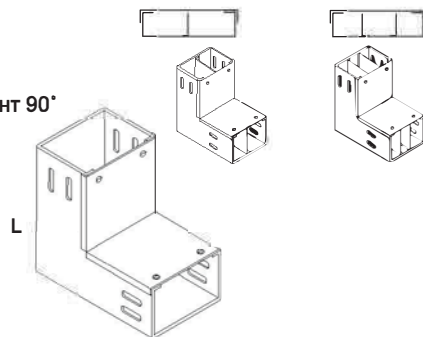
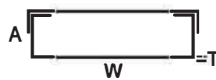


Part No	T	W	A	L	kg
GE-TRNK1-DB-15-A150	1.2	150	150	380	4.50
GE-TRNK1-DB-20-A150	1.5	200	150	430	7.40
GE-TRNK1-DB-25-A150	1.5	250	150	480	9.30
GE-TRNK1-DB-30-A150	1.5	300	150	530	11.25

SS4 **SS6** **PG** **(HDG)**

GE-TRNK1-VB90-A150

90° Vertical Bend
 90° Dikey Çıkış elemanı
 Внешний угловой элемент 90°

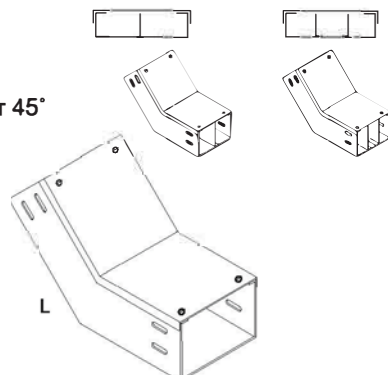


Part No	T	W	A	L	kg
GE-TRNK1-VB90-15-A150	1.2	150	150	200	1.20
GE-TRNK1-VB90-20-A150	1.5	200	150	200	1.80
GE-TRNK1-VB90-25-A150	1.5	250	150	200	2.00
GE-TRNK1-VB90-30-A150	1.5	300	150	200	2.25

SS4 **SS6** **PG** **(HDG)**

GE-TRNK1-VB45-A150

45° Vertical Bend
 45° Dikey Çıkış elemanı
 Внешний угловой элемент 45°



Part No	T	W	A	L	kg
GE-TRNK1-VB45-15-A150	1.2	150	150	340	2.00
GE-TRNK1-VB45-20-A150	1.5	200	150	340	3.00
GE-TRNK1-VB45-25-A150	1.5	250	150	340	3.40
GE-TRNK1-VB45-30-A150	1.5	300	150	340	3.80

SS4 **SS6** **PG** **(HDG)**

Material options: Stainless steel AISI 304 (L) (A2) / AISI 316 (L) (A4), ST-37-42 Mild Steel, Corten A, Pregalvanized steel, Aluminum
 Finish options : Hot Dip Galvanized to EN 1461, Electrogalvanized to TS 149, Electrostatic Paint Coated, Prime coated
 See material & finish option charts for available product specific selections.

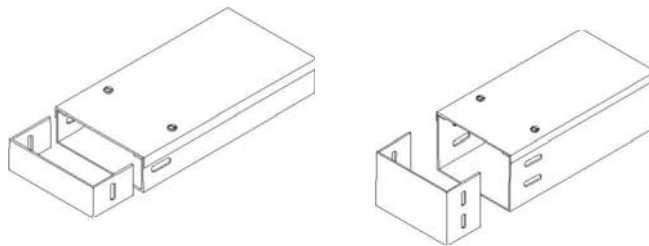
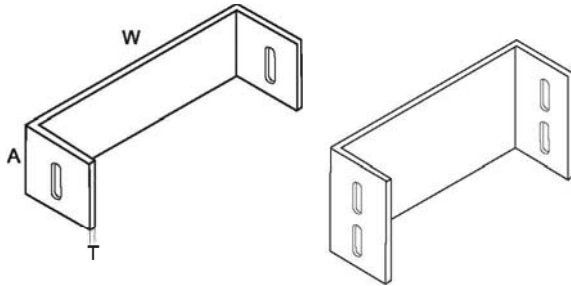
Cable Trunkings

GE-TRNK-SON

End Plate

Sonlandırma Elemanı

Единица конца

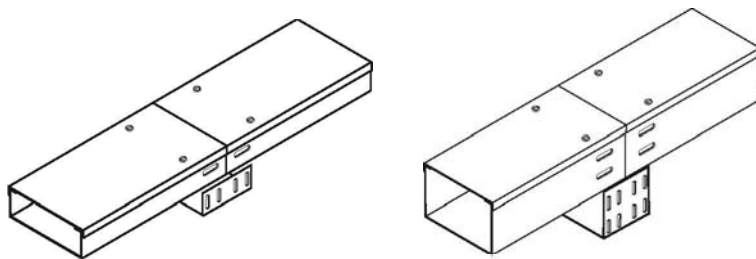
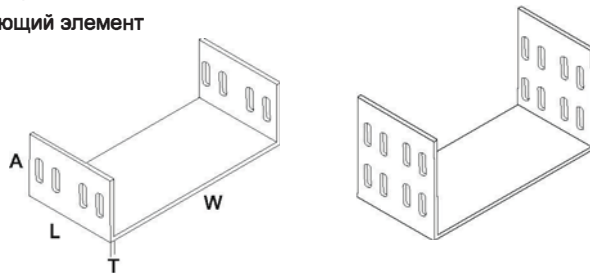


GE-TRNK-EK

Connector

Ek Elemanı

Связующий элемент



Part No	T	W	A	kg
GE-TRNK-SON-5-A50	1	50	50	0.06
GE-TRNK-SON-7-A50	1	75	50	0.07
GE-TRNK-SON-10-A50	1	100	50	0.08
GE-TRNK-SON-15-A50	1	150	50	0.10
GE-TRNK-SON-20-A50	1	200	50	0.12
GE-TRNK-SON-25-A50	1	250	50	0.14
GE-TRNK-SON-30-A50	1	300	50	0.16
GE-TRNK-SON-7-A75	1.2	75	75	0.13
GE-TRNK-SON-10-A75	1.2	100	75	0.15
GE-TRNK-SON-15-A75	1.2	150	75	0.18
GE-TRNK-SON-20-A75	1.2	200	75	0.22
GE-TRNK-SON-25-A75	1.2	250	75	0.26
GE-TRNK-SON-30-A75	1.2	300	75	0.29
GE-TRNK-SON-7-A100	1.2	75	100	0.18
GE-TRNK-SON-10-A100	1.2	100	100	0.20
GE-TRNK-SON-15-A100	1.2	150	100	0.25
GE-TRNK-SON-20-A100	1.2	200	100	0.30
GE-TRNK-SON-25-A100	1.2	250	100	0.35
GE-TRNK-SON-30-A100	1.2	300	100	0.40
GE-TRNK-SON-15-A150	1.2	150	150	0.45
GE-TRNK-SON-20-A150	1.5	200	150	0.54
GE-TRNK-SON-25-A150	1.5	250	150	0.65
GE-TRNK-SON-30-A150	1.5	300	150	0.72

SS4
 SS6
 PG
 HDG

Sample order:

GE-TRNK-EK-WIDTH-HEIGHT-FINISH

GERPAAS[®]

GERPAAS underfloor cable trunkings are manufactured of mild steel and also stainless steel raw material as per your requirements.

1, 2, 3 compartment underfloor cable trunkings available in standard. Please contact us for your custom requirements.

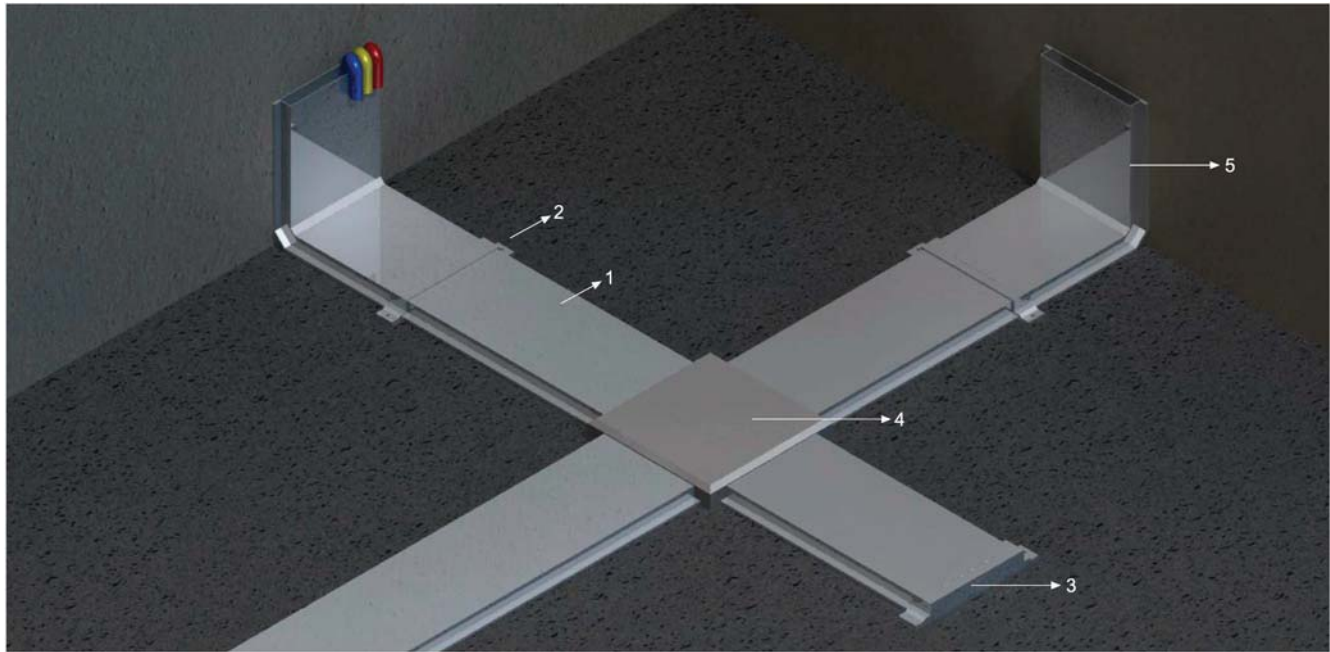
**Cable management systems
Marine type cable supports
Strut channels, support systems
Earthing systems
Lightning protection systems
Stone fixings
Steel lintels
Other building products**

GERPAAAS[®]

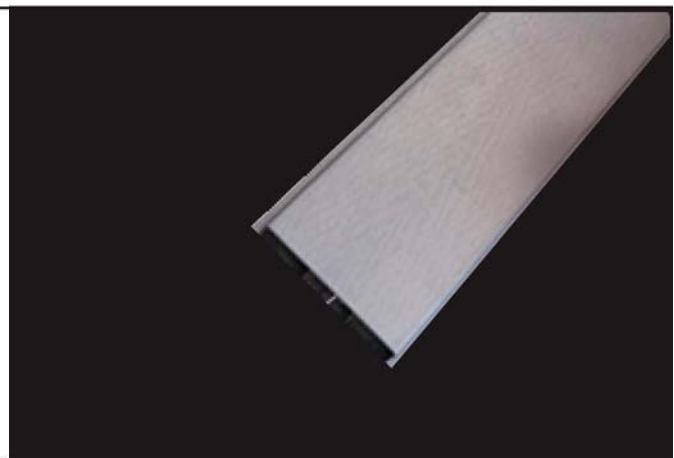
GERPAAS®

Material options: Stainless steel AISI 304 (L) (A2) / AISI 316 (L) (A4), ST-37-42 Mild Steel, Corten A, Pregalvanized steel, Aluminum
Finish options : Hot Dip Galvanized to EN 1461, Electrogalvanized to TS 149, Electrostatic Paint Coated, Prime coated
See material & finish option charts for available product specific selections.

- EN Cable trays
- FR Chemin de câbles
- D Kabelrinnen
- RU КАБЕЛЬНЫЕ ЛОТКИ
- TR Kablo kanalları



- 1)- GE-DAK1
- 2)- GE-DAK-EK
- 3)- GE-DAK-SON
- 4)- GE-DKDB-1
- 5)- GE-DAK1-D90



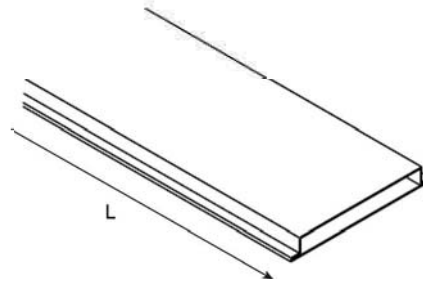
Material options: Stainless steel AISI 304 (L) (A2) / AISI 316 (L) (A4), ST-37-42 Mild Steel, Corten A, Pregalvanized steel, Aluminum
 Finish options : Hot Dip Galvanized to EN 1461, Electrogalvanized to TS 149, Electrostatic Paint Coated, Prime coated
 See material & finish option charts for available product specific selections.

Underfloor Cable Trunkings

GE-DAK1

Underfloor cable ducting system
 Döşeme altı kablo kanalı
 Под полы кабельных лотков

Part No	T	W	A	L	kg/m
GE-DAK1-17-A25	1	175	25	3000	3.50
GE-DAK1-17-A28	1	175	28	3000	4.00
GE-DAK1-17-A30	1	175	30	3000	4.50

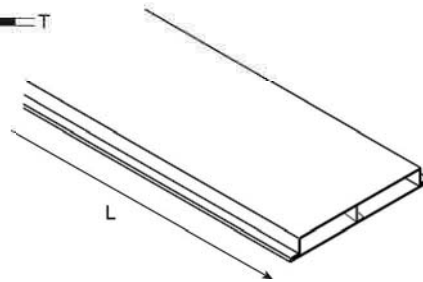
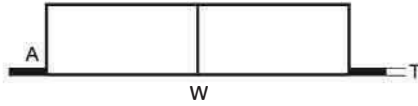


SS4 SS6 EG HDG PG

GE-DAK2

Two compartment underfloor cable ducting system
 İki kompartmanlı döşeme altı kablo kanalı
 Под полы кабельных лотков

Part No	T	W	A	L	kg/m
GE-DAK2-25-A25	1.2	250	25	3000	5.70
GE-DAK2-25-A28	1.2	250	28	3000	6.20
GE-DAK2-25-A30	1.2	250	30	3000	6.80

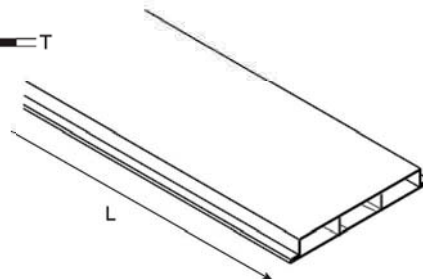
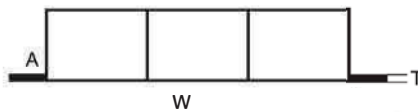


SS4 SS6 EG HDG PG

GE-DAK3

Three compartment underfloor cable ducting system
 Üç kompartmanlı döşeme altı kablo kanalı
 Под полы кабельных лотков

Part No	T	W	A	L	kg/m
GE-DAK3-22-A25	1.5	270	25	3000	7.70
GE-DAK3-27-A28	1.5	270	28	3000	8.40
GE-DAK3-27-A30	1.5	270	30	3000	9.20



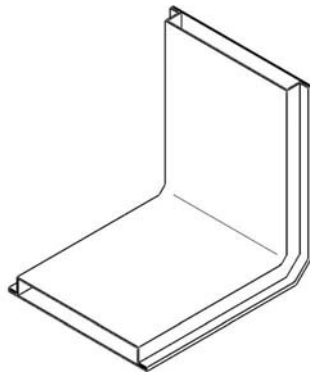
SS4 SS6 EG HDG PG

Material options: Stainless steel AISI 304 (L) (A2) / AISI 316 (L) (A4), ST-37-42 Mild Steel, Corten A, Pregalvanized steel, Aluminum
 Finish options : Hot Dip Galvanized to EN 1461, Electrogalvanized to TS 149, Electrostatic Paint Coated, Prime coated
 See material & finish option charts for available product specific selections.

Underfloor Cable Trunkings

GE-DAK1-D90

90° Elbow
 90° Dirsek
 90 градуса локоть

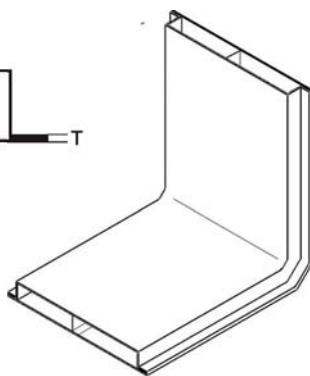
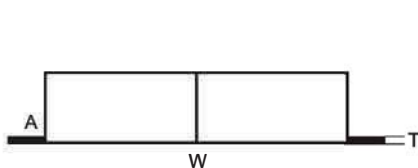


Part No	T	W	A	L	kg/m
GE-DAK1-D90-17-A25	1	175	25	130	0.90
GE-DAK1-D90-17-A28	1	175	28	130	1.00
GE-DAK1-D90-17-A30	1	175	30	130	1.15

SS4 SS6 EG HDG PG

GE-DAK2-D90

90° Elbow
 90° Dirsek
 90 градуса локоть

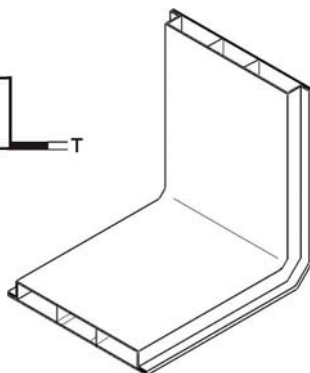
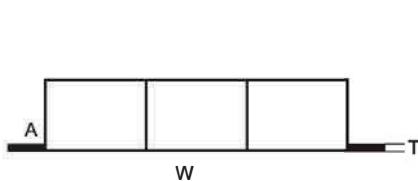


Part No	T	W	A	L	kg/m
GE-DAK2-D90-25-A25	1.2	250	25	130	1.43
GE-DAK2-D90-25-A28	1.2	250	28	130	1.60
GE-DAK2-D90-25-A30	1.2	250	30	130	1.75

SS4 SS6 EG HDG PG

GE-DAK3-D90

90° Elbow
 90° Dirsek
 90 градуса локоть



Part No	T	W	A	L	kg/m
GE-DAK3-D90-27-A25	1.5	270	25	130	2.00
GE-DAK3-D90-27-A28	1.5	270	28	130	2.20
GE-DAK3-D90-27-A30	1.5	270	30	130	2.40

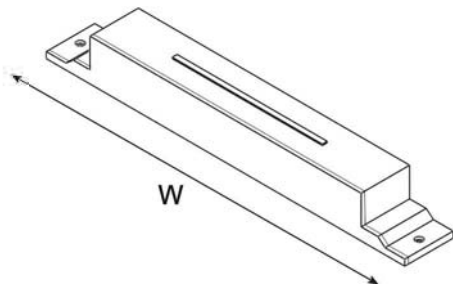
SS4 SS6 EG HDG PG

Material options: Stainless steel AISI 304 (L) (A2) / AISI 316 (L) (A4), ST-37-42 Mild Steel, Corten A, Pregalvanized steel, Aluminum
 Finish options : Hot Dip Galvanized to EN 1461, Electrogalvanized to TS 149, Electrostatic Paint Coated, Prime coated
 See material & finish option charts for available product specific selections.

Underfloor Cable Trunkings

GE-DAK-SON

End Plate
 Sonlandırma Elemanı
 Единица конца

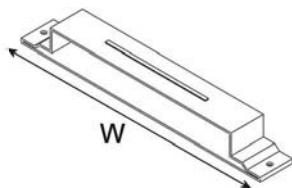


Part No	T	W	A	kg
GE-DAK-SON-17-A25	1	175	25	0.90
GE-DAK-SON-17-A28	1	175	28	1.00
GE-DAK-SON-17-A30	1	175	30	1.15
GE-DAK-SON-25-A25	1.2	250	25	1.43
GE-DAK-SON-25-A28	1.2	250	28	1.60
GE-DAK-SON-25-A30	1.2	250	30	1.75
GE-DAK-SON-27-A25	1.5	270	25	2.00
GE-DAK-SON-27-A28	1.5	270	28	2.20
GE-DAK-SON-27-A30	1.5	270	30	2.40

SS4 SS6 EG HDG PG

GE-DAK-EK

Connector
 Ek Elemanı
 Связующий элемент



Part No	T	W	A	kg
GE-DAK-EK-17-A25	1	175	25	0.18
GE-DAK-EK-17-A28	1	175	28	0.19
GE-DAK-EK-17-A30	1	175	30	0.20
GE-DAK-EK-25-A25	1.2	250	25	0.30
GE-DAK-EK-25-A28	1.2	250	28	0.33
GE-DAK-EK-25-A30	1.2	250	30	0.35
GE-DAK-EK-27-A25	1.5	270	25	0.37
GE-DAK-EK-27-A28	1.5	270	28	0.40
GE-DAK-EK-27-A30	1.5	270	30	0.43

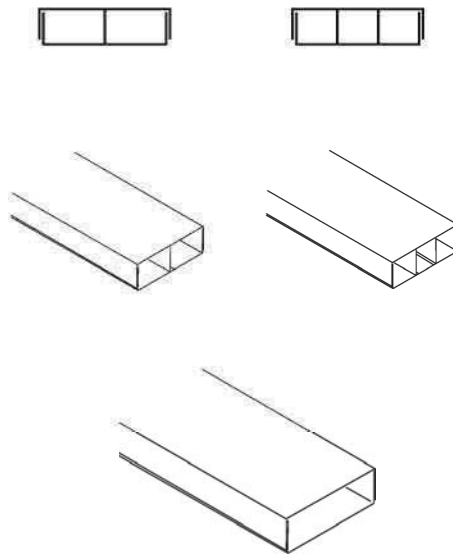
SS4 SS6 EG HDG PG

Material options: Stainless steel AISI 304 (L) (A2) / AISI 316 (L) (A4), ST-37-42 Mild Steel, Corten A, Pregalvanized steel, Aluminum
 Finish options : Hot Dip Galvanized to EN 1461, Electrogalvanized to TS 149, Electrostatic Paint Coated, Prime coated
 See material & finish option charts for available product specific selections.

Underfloor Cable Trunkings

GE-UFT1

Underfloor cable trunking system
 Döşeme altı kablo kanalı
 Под полы кабельных лотков

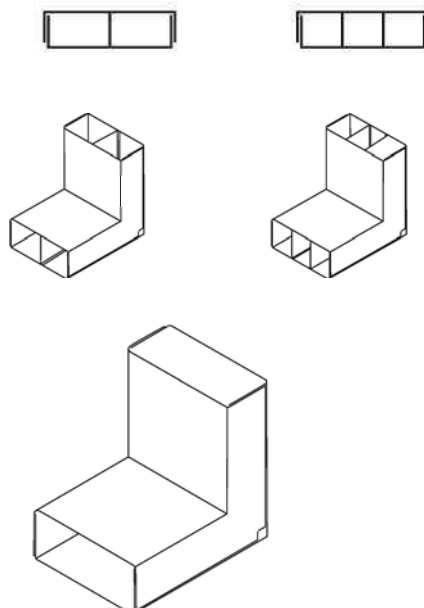


Part No	T	W	A	L	kg/m
GE-UFT1-5-A25	1.5	50	25	3000	2.30
GE-UFT1-7-A25	1.5	75	25	3000	2.90
GE-UFT1-10-A25	1.5	100	25	3000	3.50
GE-UFT1-5-A32	1.5	50	32	3000	2.50
GE-UFT1-7-A32	1.5	75	32	3000	3.10
GE-UFT1-10-A32	1.5	100	32	3000	3.70
GE-UFT1-5-A38	1.5	50	38	3000	2.80
GE-UFT1-7-A38	1.5	75	38	3000	3.40
GE-UFT1-10-A38	1.5	100	38	3000	4.00
GE-UFT1-5-A40	1.5	50	40	3000	3.10
GE-UFT1-7-A40	1.5	75	40	3000	3.70
GE-UFT1-10-A40	1.5	100	40	3000	4.30

SS4 SS6 EG HDG PG

GE-UFT1-D90

90° Elbow
 90° Dirsek
 90 градуса локоть



Part No	T	W	A	L	kg
GE-UFT1-D90-5-A25	1.5	50	25	200	0.95
GE-UFT1-D90-7-A25	1.5	75	25	200	1.20
GE-UFT1-D90-10-A25	1.5	100	25	200	1.40
GE-UFT1-D90-5-A32	1.5	50	32	200	1.00
GE-UFT1-D90-7-A32	1.5	75	32	200	1.25
GE-UFT1-D90-10-A32	1.5	100	32	200	1.50
GE-UFT1-D90-5-A38	1.5	50	38	200	1.15
GE-UFT1-D90-7-A38	1.5	75	38	200	1.40
GE-UFT1-D90-10-A38	1.5	100	38	200	1.60
GE-UFT1-D90-5-A40	1.5	50	40	200	1.25
GE-UFT1-D90-7-A40	1.5	75	40	200	1.50
GE-UFT1-D90-10-A40	1.5	100	40	200	1.75

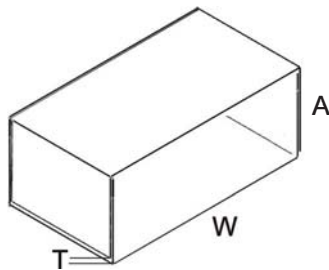
SS4 SS6 EG HDG PG

Material options: Stainless steel AISI 304 (L) (A2) / AISI 316 (L) (A4), ST-37-42 Mild Steel, Corten A, Pregalvanized steel, Aluminum
 Finish options : Hot Dip Galvanized to EN 1461, Electrogalvanized to TS 149, Electrostatic Paint Coated, Prime coated
 See material & finish option charts for available product specific selections.

Underfloor Cable Trunkings

GE-UFT-SON

End Plate
 Sonlandırma Elemanı
 Единица конца

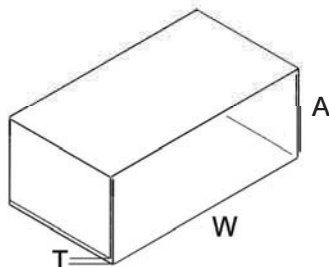


Part No	T	W	A	kg
GE-UFT-SON-5-A25	1.5	50	25	0.23
GE-UFT-SON-7-A25	1.5	75	25	0.29
GE-UFT-SON-10-A25	1.5	100	25	0.35
GE-UFT-SON-5-A32	1.5	50	32	0.25
GE-UFT-SON-7-A32	1.5	75	32	0.31
GE-UFT-SON-10-A32	1.5	100	32	0.37
GE-UFT-SON-5-A38	1.5	50	38	0.28
GE-UFT-SON-7-A38	1.5	75	38	0.34
GE-UFT-SON-10-A38	1.5	100	38	0.40
GE-UFT-SON-5-A40	1.5	50	40	0.31
GE-UFT-SON-7-A40	1.5	75	40	0.37
GE-UFT-SON-10-A40	1.5	100	40	0.43

SS4 SS6 EG HDG PG

GE-UFT-EK

Connector
 Ek Elemanı
 Связующий элемент



Part No	T	W	A	kg
GE-UFT-EK-5-A25	1.5	50	25	0.25
GE-UFT-EK-7-A25	1.5	75	25	0.30
GE-UFT-EK-10-A25	1.5	100	25	0.40
GE-UFT-EK-5-A32	1.5	50	32	0.27
GE-UFT-EK-7-A32	1.5	75	32	0.35
GE-UFT-EK-10-A32	1.5	100	32	0.40
GE-UFT-EK-5-A38	1.5	50	38	0.30
GE-UFT-EK-7-A38	1.5	75	38	0.37
GE-UFT-EK-10-A38	1.5	100	38	0.45
GE-UFT-EK-5-A40	1.5	50	40	0.35
GE-UFT-EK-7-A40	1.5	75	40	0.40
GE-UFT-EK-10-A40	1.5	100	40	0.50

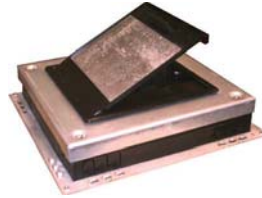
SS4 SS6 EG HDG PG

Material options: Stainless steel AISI 304 (L) (A2) / AISI 316 (L) (A4), ST-37-42 Mild Steel, Corten A, Pregalvanized steel, Aluminum
 Finish options : Hot Dip Galvanized to EN 1461, Electrogalvanized to TS 149, Electrostatic Paint Coated, Prime coated
 See material & finish option charts for available product specific selections.

Underfloor Cable Trunkings

GE-DKDB-1

Junction Box c/w Service Box
 Buat, priz kutusu ile birlikte
 Подпольные распределительной коробке



Part No	T	W	A	L	kg
GE-DKDB-1	1.5	270	65	350	2.40

Used as crossing or connection box in underfloor ducting systems. Junction box has its individual cover lid with the same material thickness. Underfloor cable trays (ducts) can be inserted and be connected to the junction box through the plastic removable lids on front. Plastic removable lids provide multi dimensional connections. Plastic lids enable level adjustment with adjustment bolts. Adjustment toleration is 15mm. Hard plastic made heat resistant outlet assembly frame allows connection for 2 power outlets and 3 data outlets. Underfloor cable tray must be inserted through the plastic removable lids on front. Outlets must be ordered separately.

Döşeme altı kablo kanalı sistemlerinde bağlantı elemanı veya buatı olarak kullanılır. Kapağı taban sacı ile aynı kalınlıktadır. Buata kanallar yandaki plastik kapaklardan sürülerek monte edilir. Buatın köşelerinde yer alan civatalar ile buatın alt üniteden yüksekliği ayarlanır. Buatın içindeki priz kutusunun 3 enerji prizi ve 2 data prizi kapasitesi vardır. Ayar toleransı 15 mm dir. Prizler ayrıca sipariş edilmelidir.

Используется как переход или соединительной коробке в пол воздуховоды систем. Распределительная коробка имеет свой индивидуальный крышка крышка с той же толщины материала. Обложка крышка Mountable С помощью болтов. Подпольные кабельных лотков (протоки) может быть добавлено и быть подключены к распределительной коробке через Съёмная пластиковая крышка на фронт. Пластиковые крышки позволят регулировки уровня с регулировкой болтов. Настройка терпимым является 15 мм. Жаростойкие Ассамблеи розетки пластика позволяет связи в течение 3 (электрический) + 2 (данных) точек. Подпольные кабельного лотка должна быть вставлена через пластиковые съёмные крышки на фронт. Пластиковые крышки позволят регулировки уровня с регулировкой болтов. Розеток должны быть заказаны отдельно.

Service box

İdeal solution for use in underfloor energy systems in offices, business centers, and more.
 Material: Polymid plastic.



Outlets



GE-OUT-1
UPS outlet



GE-OUT-2
Earth outlet



GE-OUT-3
Phone socket



GERPAAAS[®]



GERPAAS®

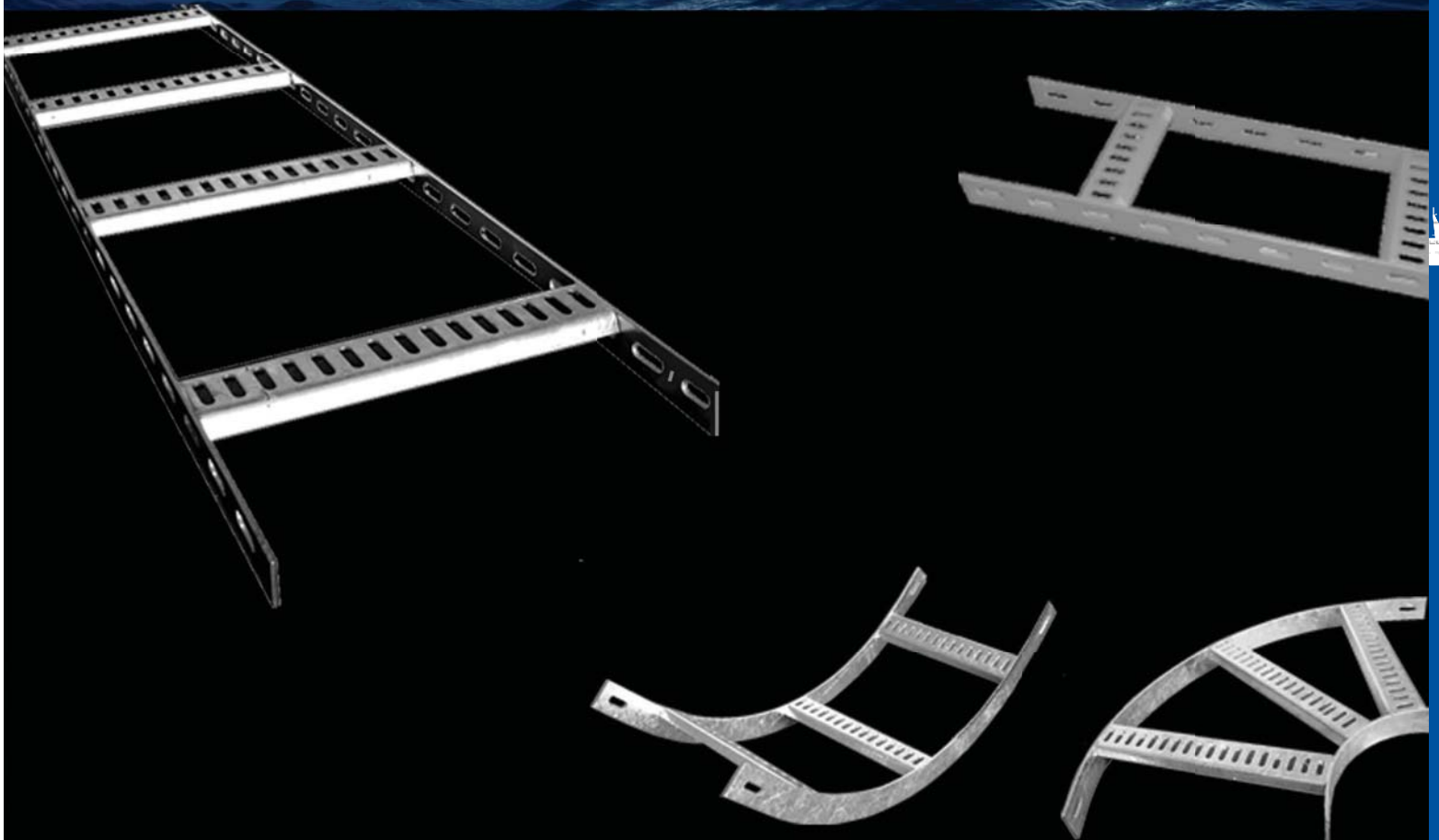
Marine systems

Echelles marine

Kabelletern nach marinenorm

Кабельные лотки для судов

Gemi tipi kablo taşıyıcılar



www.gerpaas.com



GERPAAAS[®]



Material options: Stainless steel AISI 304 (L) (A2) / AISI 316 (L) (A4), ST-37-42 Mild Steel, Corten A, Pregalvanized steel, Aluminum
 Finish options : Hot Dip Galvanized to EN 1461, Electrogalvanized to TS 149, Electrostatic Paint Coated, Prime coated
 See material & finish option charts for available product specific selections.

Marine Type Cable Support Systems

ПЕРФОРИРОВАННЫЕ СУДОВЫЕ КАБЕЛЬНЫЕ ЛЕСТНИЦЫ

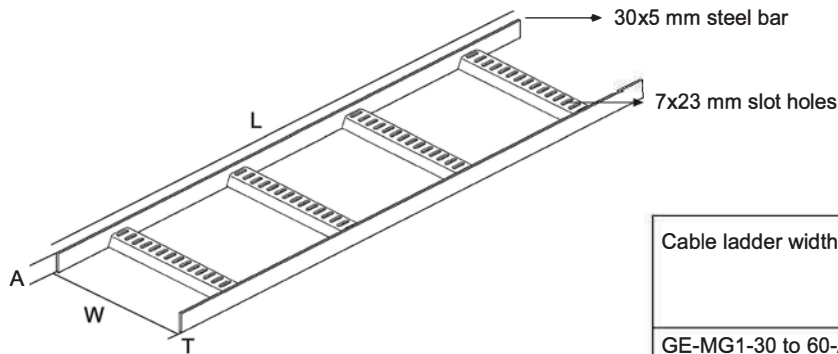
GE-MG1-A30

Cable ladder with U rung
 U basamaklı kablo merdiveni
 Судовые кабельные лестницы u



Part No	T	W	A	L	kg/m
GE-MG1-30-A30	5	300	30	3000	3.90
GE-MG1-35-A30	5	350	30	3000	4.10
GE-MG1-40-A30	5	400	30	3000	4.40
GE-MG1-45-A30	5	450	30	3000	4.60
GE-MG1-50-A30	5	500	30	3000	4.90
GE-MG1-60-A30	5	600	30	3000	5.30

SS6 HDG EG ESP APB AL



Cable ladder width	SWL in span of 1.5 m (kg/m)	SWL in span of 2.0 m (kg/m)
GE-MG1-30 to 60-A30	190	90

Side channels can be perforated type upon request.
 Yanlar istek üzerine delikli tip üretilir.
 Каналы стороны могут быть перфорированы тип после запроса

* Max. 2% deflection

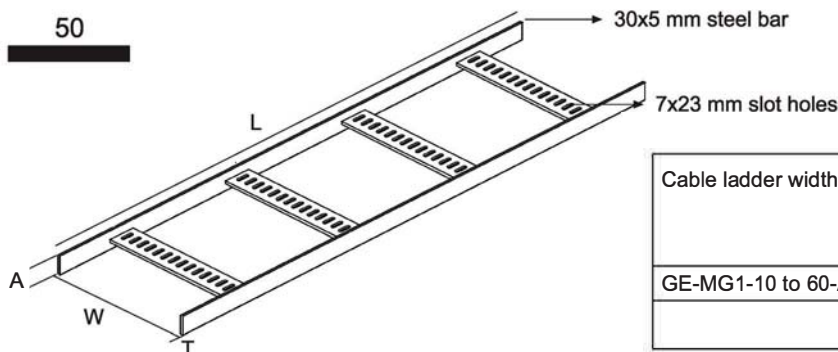
GE-MG2-A30

Cable ladder with flat steel rung
 Lama basamaklı kablo merdiveni
 Судовые кабельные лестницы равнина



Part No	T	W	A	L	kg/m
GE-MG2-10-A30	5	100	30	3000	2.90
GE-MG2-20-A30	5	200	30	3000	3.20
GE-MG2-30-A30	5	300	30	3000	3.70
GE-MG2-40-A30	5	400	30	3000	4.10
GE-MG2-50-A30	5	500	30	3000	4.40
GE-MG2-60-A30	5	600	30	3000	4.90

SS4 SS6 HDG EG ESP APB AL



Cable ladder width	SWL in span of 1.5 m (kg/m)	SWL in span of 2.0 m (kg/m)
GE-MG1-10 to 60-A30	140	60

Side channels can be perforated type upon request.
 Yanlar istek üzerine delikli tip üretilir.
 Каналы стороны могут быть перфорированы тип после запроса

* Max. 2% deflection

Material options: Stainless steel AISI 304 (L) (A2) / AISI 316 (L) (A4), ST-37-42 Mild Steel, Corten A, Pregalvanized steel, Aluminum
 Finish options : Hot Dip Galvanized to EN 1461, Electrogalvanized to TS 149, Electrostatic Paint Coated, Prime coated
 See material & finish option charts for available product specific selections.

Marine Type Cable Support Systems

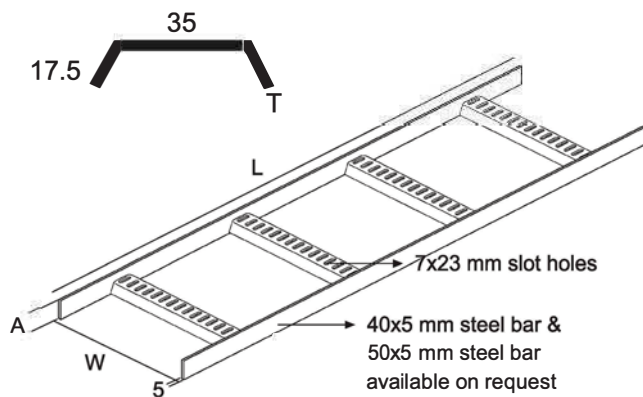
ПЕРФОРИРОВАННЫЕ СУДОВЫЕ КАБЕЛЬНЫЕ ЛЕСТНИЦЫ

GE-MG3

Cable ladder with V rung

V basamaklı kablo merdiveni

Судовые кабельные лестницы v



Side channels can be perforated type upon request.

Yanlar istek üzerine delikli tip üretilir.

Каналы стороны могут быть перфорированы тип после запроса

Part No	T	W	A	L	kg/m
GE-MG3-10-A40	1.5	100	40	3000	3.50
GE-MG3-20-A40	1.5	200	40	3000	3.80
GE-MG3-30-A40	1.5	300	40	3000	4.10
GE-MG3-40-A40	2.0	400	40	3000	4.80
GE-MG3-50-A40	2.0	500	40	3000	5.00
GE-MG3-60-A40	2.0	600	40	3000	5.20
GE-MG3-10-A50	1.5	100	50	3000	4.30
GE-MG3-20-A50	1.5	200	50	3000	4.60
GE-MG3-30-A50	1.5	300	50	3000	4.90
GE-MG3-40-A50	2.0	400	50	3000	5.60
GE-MG3-50-A50	2.0	500	50	3000	6.00
GE-MG3-60-A50	2.0	600	50	3000	6.40

SS4 SS6 HDG EG ESP APB AL

Cable ladder width	SWL in span of 1.5 m (kg/m)	SWL in span of 2.0 m (kg/m)
GE-MG3-10 to 60-A40	170	80
GE-MG3-10 to 60-A50	180	90

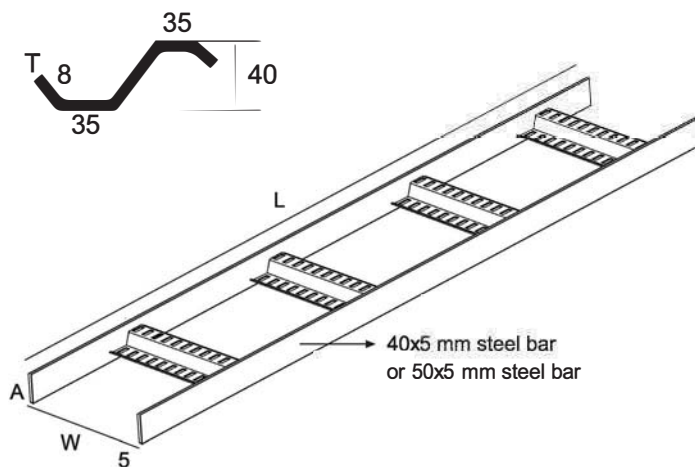
* Max. 2% deflection

GE-MG4

Cable ladder with Z rung

Z basamaklı kablo merdiveni

Судовые кабельные лестницы z



Side channels can be perforated type upon request.

Yanlar istek üzerine delikli tip üretilir.

Каналы стороны могут быть перфорированы тип после запроса

Part No	T	W	A	L	kg/m
GE-MG4-10-A40	5	100	40	3000	3.70
GE-MG4-20-A40	5	200	40	3000	4.20
GE-MG4-30-A40	5	300	40	3000	4.60
GE-MG4-40-A40	5	400	40	3000	5.90
GE-MG4-50-A40	5	500	40	3000	6.50
GE-MG4-60-A40	5	600	40	3000	7.20
GE-MG4-10-A50	5	100	50	3000	4.50
GE-MG4-20-A50	5	200	50	3000	5.00
GE-MG4-30-A50	5	300	50	3000	5.40
GE-MG4-40-A50	5	400	50	3000	6.70
GE-MG4-50-A50	5	500	50	3000	7.30
GE-MG4-60-A50	5	600	50	3000	8.00

SS4 SS6 HDG EG ESP APB AL

Cable ladder width	SWL in span of 1.5 m (kg/m)	SWL in span of 2.0 m (kg/m)
GE-MG4-10 to 60-A40	270	100
GE-MG4-10 to 60-A50	270	100

* Max. 2% deflection

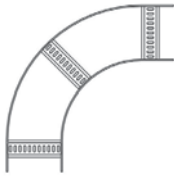
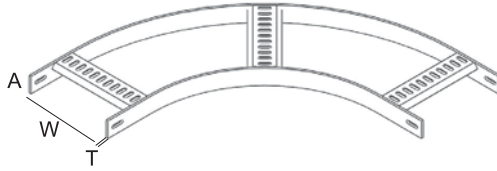
Material options: Stainless steel AISI 304 (L) (A2) / AISI 316 (L) (A4), ST-37-42 Mild Steel, Corten A, Pregalvanized steel, Aluminum
 Finish options : Hot Dip Galvanized to EN 1461, Electrogalvanized to TS 149, Electrostatic Paint Coated, Prime coated
 See material & finish option charts for available product specific selections.

Marine Type Cable Support Systems

ПЕРФОРИРОВАННЫЕ СУДОВЫЕ КАБЕЛЬНЫЕ ЛЕСТНИЦЫ

GE-MG2-D90

Cable ladder flat bend
 Kablo merdiveni dönüş elemanı
 L поворот



Part No	T	W	A
GE-MG2-D90-30-A30	5	300	30
GE-MG2-D90-35-A30	5	350	30
GE-MG2-D90-40-A30	5	400	30
GE-MG2-D90-45-A30	5	450	30
GE-MG2-D90-50-A30	5	500	30
GE-MG2-D90-60-A30	5	600	30

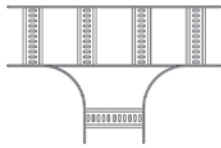
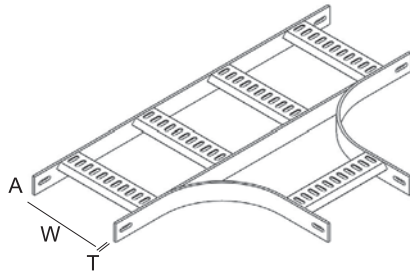
SS4 SS6 HDG EG ESP APB AL

Please specify the rung type when ordering.
 Taleplerinizde basamak tipini belirtiniz.
 Просьба указать тип ступеньки при заказе



GE-MG2-T

Cable ladder tee
 Kablo merdiveni T elemanı
 T поворот



Part No	T	W	A
GE-MG2-T-30-A30	5	300	30
GE-MG2-T-35-A30	5	350	30
GE-MG2-T-40-A30	5	400	30
GE-MG2-T-45-A30	5	450	30
GE-MG2-T-50-A30	5	500	30
GE-MG2-T-60-A30	5	600	30

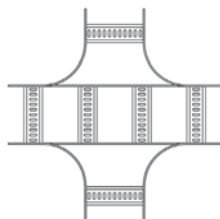
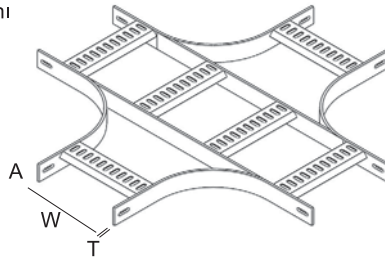
SS4 SS6 HDG EG ESP APB AL

Please specify the rung type when ordering.
 Taleplerinizde basamak tipini belirtiniz.
 Просьба указать тип ступеньки при заказе



GE-MG2-DB

Cable ladder crossing
 Kablo merdiveni dörtlü bağlantı elemanı
 Крест поворот



Part No	T	W	A
GE-MG2-DB-30-A30	5	300	30
GE-MG2-DB-35-A30	5	350	30
GE-MG2-DB-40-A30	5	400	30
GE-MG2-DB-45-A30	5	450	30
GE-MG2-DB-50-A30	5	500	30
GE-MG2-DB-60-A30	5	600	30

SS4 SS6 HDG EG ESP APB AL

Please specify the rung type when ordering.
 Taleplerinizde basamak tipini belirtiniz.
 Просьба указать тип ступеньки при заказе



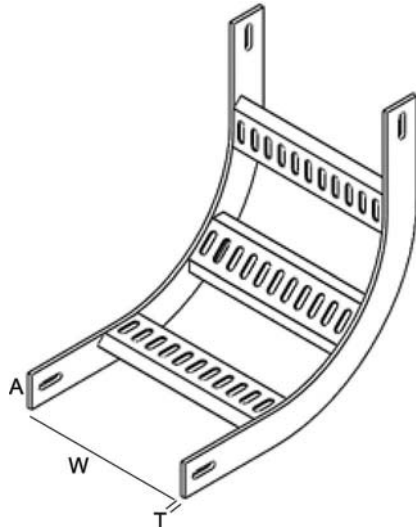
Material options: Stainless steel AISI 304 (L) (A2) / AISI 316 (L) (A4), ST-37-42 Mild Steel, Corten A, Pregalvanized steel, Aluminum
 Finish options : Hot Dip Galvanized to EN 1461, Electrogalvanized to TS 149, Electrostatic Paint Coated, Prime coated
 See material & finish option charts for available product specific selections.

Marine Type Cable Support Systems

ПЕРФОРИРОВАННЫЕ СУДОВЫЕ КАБЕЛЬНЫЕ ЛЕСТНИЦЫ

GE-MG2-IB

Vertical inside riser
 İç bükey
 Вертикальный изгиб

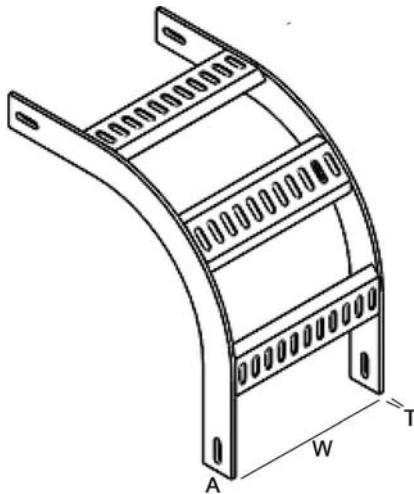


Part No	T	W	A
GE-MG2-IB-30-A30	5	300	30
GE-MG2-IB-35-A30	5	350	30
GE-MG2-IB-40-A30	5	400	30
GE-MG2-IB-45-A30	5	450	30
GE-MG2-IB-50-A30	5	500	30
GE-MG2-IB-60-A30	5	600	30

Please specify the rung type when ordering.
 Taleplerinizde basamak tipini belirtiniz.
 Просьба указать тип ступеньки при заказе

GE-MG2-OB

Vertical outside riser
 Dış bükey
 Вертикальный изгиб



Part No	T	W	A
GE-MG2-OB-30-A30	5	300	30
GE-MG2-OB-35-A30	5	350	30
GE-MG2-OB-40-A30	5	400	30
GE-MG2-OB-45-A30	5	450	30
GE-MG2-OB-50-A30	5	500	30
GE-MG2-OB-60-A30	5	600	30

(SS6) (HDG) (EG) (ESP) (APB) (AL)

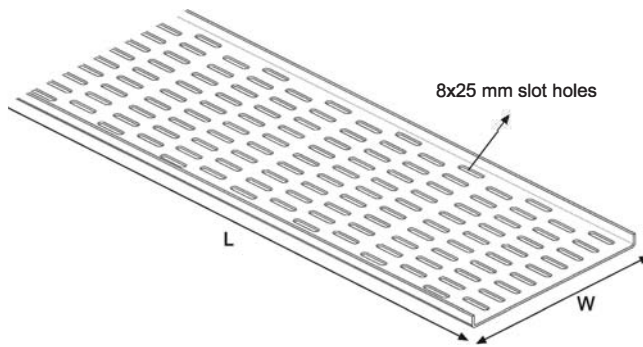
Please specify the rung type when ordering.
 Taleplerinizde basamak tipini belirtiniz.
 Просьба указать тип ступеньки при заказе

Material options: Stainless steel AISI 304 (L) (A2) / AISI 316 (L) (A4), ST-37-42 Mild Steel, Corten A, Pregalvanized steel, Aluminum
 Finish options : Hot Dip Galvanized to EN 1461, Electrogalvanized to TS 149, Electrostatic Paint Coated, Prime coated
 See material & finish option charts for available product specific selections.

Marine Type Cable Support Systems

GE-KTG

Marine type cable tray (tubing channel)
 Gemi tipi kablo kanalı
 Судовые кабельные лотки

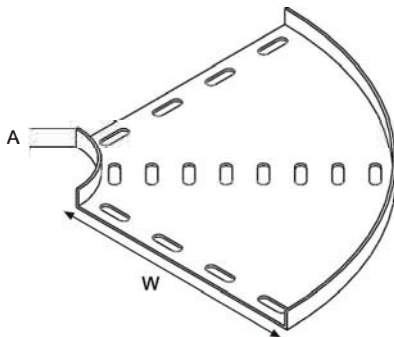


Part No	T	W	A	L	kg/m
GE-KTG-7-A15	1	70	15	3000	0.70
GE-KTG-10-A15	1	100	15	3000	0.90
GE-KTG-12-A15	1	120	15	3000	1.10
GE-KTG-15-A15	1.5	150	15	3000	1,73
GE-KTG-20-A15	1.5	200	15	3000	2.20
GE-KTG-25-A15	2	250	15	3000	3.58
GE-KTG-30-A15	2	300	15	3000	4.25
GE-KTG-40-A15	2	400	15	3000	5.50
GE-KTG-50-A15	2	500	15	3000	6.60
GE-KTG-60-A15	2	600	15	3000	8.00
GE-KTG-7-A30	1	70	30	3000	0.89
GE-KTG-10-A30	1	100	30	3000	1.08
GE-KTG-12-A30	1,5	120	30	3000	1.80
GE-KTG-15-A30	1.5	150	30	3000	2.10
GE-KTG-20-A30	1.5	200	30	3000	2.57
GE-KTG-25-A30	2	250	30	3000	4.06
GE-KTG-30-A30	2	300	30	3000	4.70
GE-KTG-40-A30	2	400	30	3000	5.00
GE-KTG-50-A30	2	500	30	3000	5.50
GE-KTG-60-A30	2	600	30	3000	6.00

SS4 SS6 HDG PG EG ESP APB AL

GE-KTG-D90

Cable tray flat bend
 Kablo kanalı dönüş elemanı
 Судовые кабельные лотки I поворот



Part No	T	W	A	L	kg
GE-KTG-D90-7-A15	1	70	15	90	0.64
GE-KTG-D90-10-A15	1	100	15	90	0.85
GE-KTG-D90-12-A15	1	120	15	90	1.45
GE-KTG-D90-15-A15	1.5	150	15	90	1,74
GE-KTG-D90-20-A15	1.5	200	15	90	2.22
GE-KTG-D90-25-A15	2	250	15	90	3.58
GE-KTG-D90-30-A15	2	300	15	90	4.23
GE-KTG-D90-40-A15	2	400	15	90	5.40
GE-KTG-D90-50-A15	2	500	15	90	6.40
GE-KTG-D90-60-A15	2	600	15	90	7.50
GE-KTG-D90-7-A30	1,5	70	30	90	0.22
GE-KTG-D90-10-A30	1,5	100	30	90	0.35
GE-KTG-D90-12-A30	1,5	120	30	90	0.46
GE-KTG-D90-15-A30	2	150	30	90	0.85
GE-KTG-D90-20-A30	2	200	30	90	1.34
GE-KTG-D90-25-A30	2	250	30	90	1.95
GE-KTG-D90-30-A30	2	300	30	90	2.67
GE-KTG-D90-40-A30	2	400	30	90	4.27
GE-KTG-D90-50-A30	2	500	30	90	6.83
GE-KTG-D90-60-A30	2	600	30	90	10.90

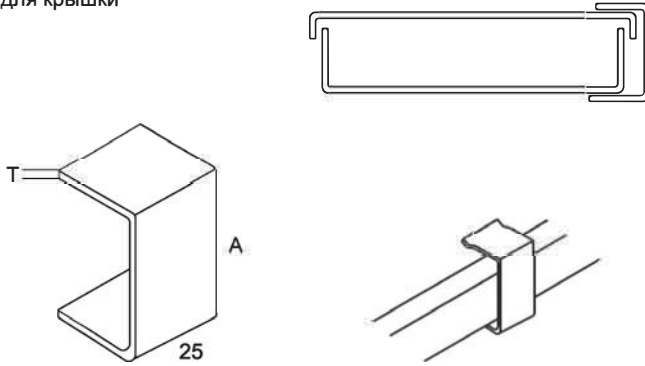
SS4 SS6 HDG PG EG ESP APB AL

Material options: Stainless steel AISI 304 (L) (A2) / AISI 316 (L) (A4), ST-37-42 Mild Steel, Corten A, Pregalvanized steel, Aluminum
 Finish options : Hot Dip Galvanized to EN 1461, Electrogalvanized to TS 149, Electrostatic Paint Coated, Prime coated
 See material & finish option charts for available product specific selections.

Marine Type Cable Support Systems

GE-KTKT1

Slide-in cover clamp
 Geçmeli tip kapak kelepçesi
 Скоба для крышки

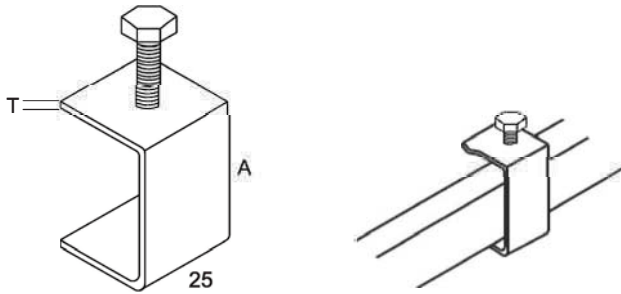


Part No	T	A	Kg
GE-KTKT1-25	1.5	25	0.026
GE-KTKT1-40	1.5	40	0.032
GE-KTKT1-50	1.5	50	0.035
GE-KTKT1-60	1.5	60	0.039
GE-KTKT1-70	1.5	70	0.042
GE-KTKT1-80	2	80	0.060
GE-KTKT1-100	2	100	0.070
GE-KTKT1-125	2	125	0.080
GE-KTKT1-150	2	150	0.090

SS4 SS6 HDG EG ESP APB AL PG

GE-KTKT2

Bolted type cover clamp
 Civatalı tip kapak kelepçesi
 Скоба для крышки

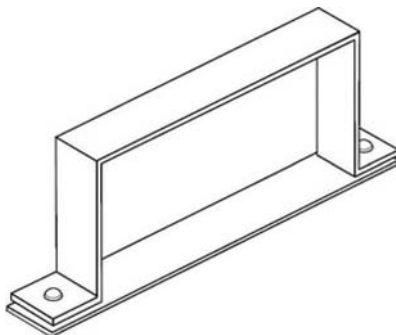


Part No	T	A	Kg
GE-KTKT2-25	2	25	0.050
GE-KTKT2-40	2	40	0.060
GE-KTKT2-50	2	50	0.070
GE-KTKT2-60	2	60	0.080
GE-KTKT2-70	2	70	0.090
GE-KTKT2-80	2	80	0.110
GE-KTKT2-100	2	100	0.120
GE-KTKT2-125	2	125	0.130
GE-KTKT2-150	2	150	0.150

SS4 SS6 HDG EG ESP APB AL PG

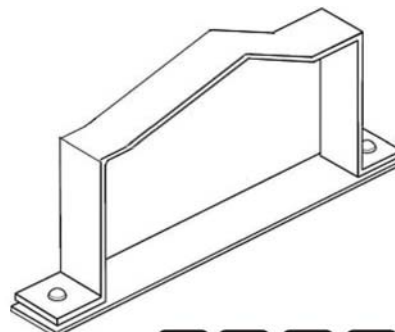
GE-KTKT3

Wrap-around cover clamp
 Kuşaklı tip kapak kelepçesi
 Скоба для крышки



GE-KTKT4

Peak type wrap-around cover clamp
 Çatı tipi kuşaklı kapak kelepçesi
 Скоба для крышки



SS4 SS6 HDG EG ESP APB AL PG

Material options: Stainless steel AISI 304 (L) (A2) / AISI 316 (L) (A4), ST-37-42 Mild Steel, Corten A, Pregalvanized steel, Aluminum
 Finish options : Hot Dip Galvanized to EN 1461, Electrogalvanized to TS 149, Electrostatic Paint Coated, Prime coated
 See material & finish option charts for available product specific selections.

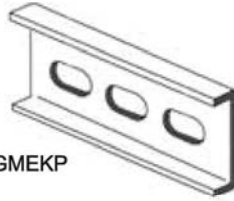
Marine Type Cable Support Systems

GE-GMEK / GE-GMEKP

Cable ladder splice connector
 Kablo merdiveni ek parçası
 Соединитель



GE-GMEK



GE-GMEKP

Part No	T	W	A	Kg
GE-GMEK-30	5	30	150	0.50
GE-GMEK-40	5	40	150	0.60
GE-GMEK-50	5	50	150	0.70
GE-GMEKP-30	5	30	150	0.47
GE-GMEKP-40	5	40	150	0.57
GE-GMEKP-50	5	50	150	0.65

SS4 SS6 HDG EG ESP APB AL

GE-GTZ1

Steel wedge
 Takoz
 Клин



Part No	A	W	A1	L	Kg
GE-GTZ1-1	M4	15	6	30	0.03
GE-GTZ1-2	M4	15	6	50	0.06
GE-GTZ1-3	M5	15	7	30	0.03
GE-GTZ1-4	M5	15	7	50	0.06
GE-GTZ1-5	M6	16	8	30	0.04
GE-GTZ1-6	M6	16	8	50	0.07
GE-GTZ1-7	M8	18	10	30	0.04
GE-GTZ1-8	M8	18	10	50	0.07
GE-GTZ1-9	M10	20	12	30	0.08
GE-GTZ1-10	M10	20	12	50	0.13
GE-GTZ1-11	M12	24	14	30	0.08
GE-GTZ1-12	M12	24	14	50	0.13

SS4 SS6 HDG EG ESP APB

GE-GTZ2

Steel wedge with end
 Kör takoz
 Клин



Part No	A	W	L	Kg
GE-GTZ2-1	M6	16	75	0.12
GE-GTZ2-2	M6	16	100	0.16
GE-GTZ2-3	M6	16	125	0.20
GE-GTZ2-4	M6	16	150	0.24
GE-GTZ2-5	M6	16	200	0.32
GE-GTZ2-6	M8	18	75	0.15
GE-GTZ2-7	M8	18	100	0.20
GE-GTZ2-8	M8	18	125	0.25
GE-GTZ2-9	M8	18	150	0.30
GE-GTZ2-10	M8	18	200	0.40
GE-GTZ2-11	M10	20	75	0.19
GE-GTZ2-12	M10	20	100	0.25
GE-GTZ2-13	M10	20	125	0.31
GE-GTZ2-14	M10	20	150	0.38
GE-GTZ2-15	M10	20	200	0.50

SS4 SS6 HDG EG ESP APB

Material options: Stainless steel AISI 304 (L) (A2) / AISI 316 (L) (A4), ST-37-42 Mild Steel, Corten A, Pregalvanized steel, Aluminum
 Finish options : Hot Dip Galvanized to EN 1461, Electrogalvanized to TS 149, Electrostatic Paint Coated, Prime coated
 See material & finish option charts for available product specific selections.

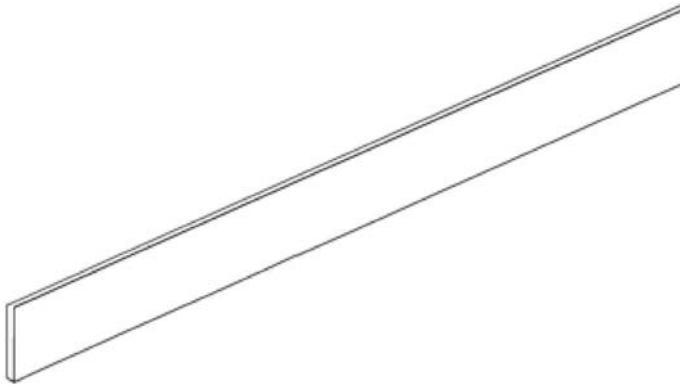
Marine Type Cable Support Systems

GE-GLS

Flat bar
 Deliksiz lama
 Простой канал

Part No	T	W	L	Kg/m
GE-GLS-305	5	30	3000	1.20
GE-GLS-405	5	40	3000	1.60

SS4 SS6 HDG EG ESP APB AL



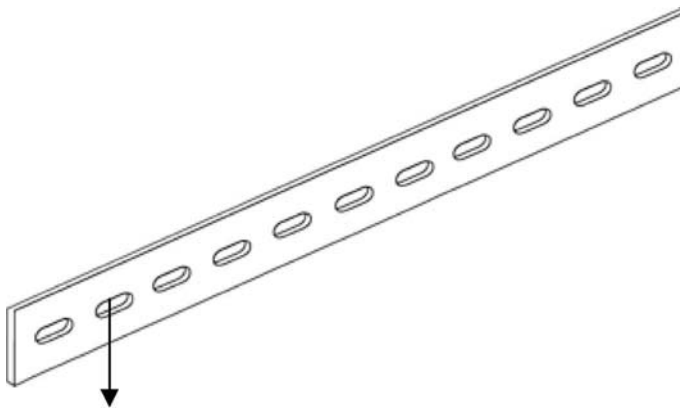
Other sizes available upon request.
 İstek üzerine diğer ölçülerde üretim yapılır.
 Другие размеры могут быть изготовлены на запросе.

GE-GLSP

Perforated bar
 Delikli lama
 Перфорированный канал

Part No	T	W	L	Kg/m
GE-GLSP-305	5	30	3000	1.00
GE-GLSP-405	5	40	3000	1.38

SS4 SS6 HDG EG ESP APB AL



8x25mm slot holes

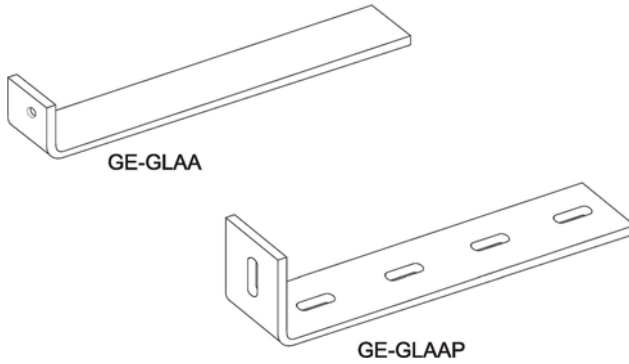
Other sizes available upon request.
 İstek üzerine diğer ölçülerde üretim yapılır.
 Другие размеры могут быть изготовлены на запросе.

Material options: Stainless steel AISI 304 (L) (A2) / AISI 316 (L) (A4), ST-37-42 Mild Steel, Corten A, Pregalvanized steel, Aluminum
 Finish options : Hot Dip Galvanized to EN 1461, Electrogalvanized to TS 149, Electrostatic Paint Coated, Prime coated
 See material & finish option charts for available product specific selections.

Marine Type Cable Support Systems

GE-GLAA

L bracket
 L askı ayağı
 L консоль



Part No	T	W	A	Kg
GE-GLAA-1	5.0	100	30	0.15
GE-GLAA-2	5.0	200	30	0.27
GE-GLAA-3	5.0	300	30	0.39
GE-GLAA-4	5.0	400	30	0.51
GE-GLAA-5	5.0	500	30	0.62
GE-GLAA-6	5.0	600	30	0.75
GE-GLAAP-1	5.0	100	50	0.21
GE-GLAAP-2	5.0	200	50	0.35
GE-GLAAP-3	5.0	300	50	0.49
GE-GLAAP-4	5.0	400	50	0.63
GE-GLAAP-5	5.0	500	50	0.77
GE-GLAAP-6	5.0	600	50	0.91

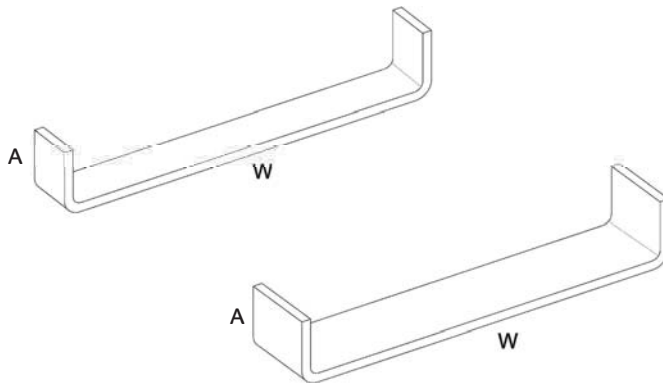
SS4 SS6 HDG EG ESP APB AL

Used as vertical and horizontal support unit on ships.

Other sizes available upon request.
 İstek üzerine diğer ölçülerde üretim yapılır.
 Другие размеры могут быть изготовлены на запросе.

GE-GDUK-A

U bracket, narrow type
 Dar U konsol, dar tip
 U консоль



Part No	T	W	A	L	Kg
GE-GDUK-A-1	5.0	100	30	20	0.12
GE-GDUK-A-2	5.0	200	30	20	0.20
GE-GDUK-A-3	5.0	300	30	20	0.28
GE-GDUK-A-4	5.0	400	30	20	0.36
GE-GDUK-A-5	5.0	500	30	20	0.44
GE-GDUK-A-6	5.0	600	30	20	0.52
GE-GDUK-B-1	5.0	100	30	30	0.17
GE-GDUK-B-2	5.0	200	30	30	0.29
GE-GDUK-B-3	5.0	300	30	30	0.41
GE-GDUK-B-4	5.0	400	30	30	0.53
GE-GDUK-B-5	5.0	500	30	30	0.65
GE-GDUK-B-6	5.0	600	30	30	0.77

SS4 SS6 HDG EG ESP APB AL

Used as horizontal support unit on ships.

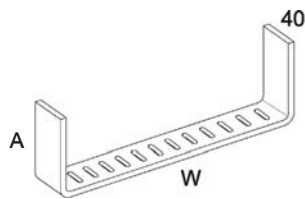
Other sizes available upon request.
 İstek üzerine diğer ölçülerde üretim yapılır.
 Другие размеры могут быть изготовлены на запросе.

Material options: Stainless steel AISI 304 (L) (A2) / AISI 316 (L) (A4), ST-37-42 Mild Steel, Corten A, Pregalvanized steel, Aluminum
 Finish options : Hot Dip Galvanized to EN 1461, Electrogalvanized to TS 149, Electrostatic Paint Coated, Prime coated
 See material & finish option charts for available product specific selections.

Marine Type Cable Support Systems

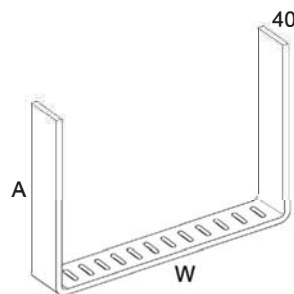
GE-GDUKP

U bracket, perforated
 U konsol, delikli
 Перфорированный и консоль



GE-GDULKP

U bracket, perforated
 U konsol, delikli
 Перфорированный и консоль



Part No	T	W	A	L	Kg
GE-GDKUP-1	5.0	100	100	40	0.42
GE-GDKUP-2	5.0	200	100	40	0.55
GE-GDKUP-3	5.0	300	100	40	0.65
GE-GDKUP-4	5.0	400	100	40	0.79
GE-GDUKP-5	5.0	500	100	40	0.90
GE-GDUKP-6	5.0	600	100	40	1.02
GE-GDULKP-1	5.0	100	200	40	0.73
GE-GDULKP-2	5.0	200	200	40	0.85
GE-GDULKP-3	5.0	300	200	40	0.97
GE-GDULKP-4	5.0	400	200	40	1.10
GE-GDULKP-5	5.0	500	200	40	1.20
GE-GDULKP-6	5.0	600	200	40	1.33

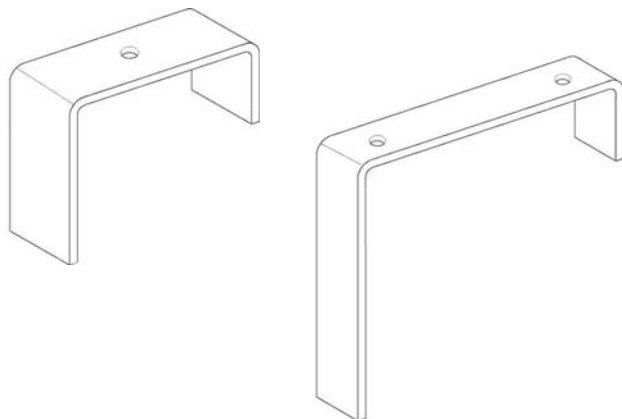
SS4 SS6 HDG EG ESP APB AL

Other sizes available upon request.
 İstek üzerine diğer ölçülerde üretim yapılır.
 Другие размеры могут быть изготовлены на запросе.

Used as horizontal support unit on ships.

GE-GMLA

Lighting bracket
 Lamba ayağı
 Монтажный элемент для лампы



Part No	T	W	A	Kg
GE-GMLA-01	5.0	50	100	0.49
GE-GMLA-02	5.0	50	155	0.93

SS4 SS6 HDG EG ESP APB AL

Other sizes available upon request.
 İstek üzerine diğer ölçülerde üretim yapılır.
 Другие размеры могут быть изготовлены на запросе.

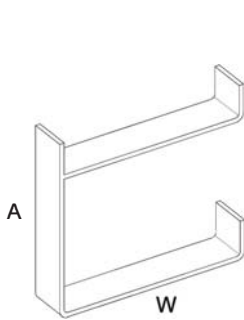
Used as lamp support unit on ships. Fixed on ship body by welding.

Material options: Stainless steel AISI 304 (L) (A2) / AISI 316 (L) (A4), ST-37-42 Mild Steel, Corten A, Pregalvanized steel, Aluminum
 Finish options : Hot Dip Galvanized to EN 1461, Electrogalvanized to TS 149, Electrostatic Paint Coated, Prime coated
 See material & finish option charts for available product specific selections.

Marine Type Cable Support Systems

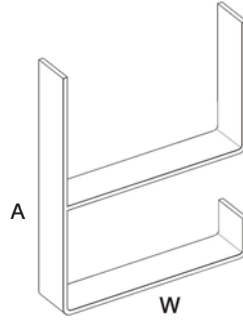
GE-GFKN-1

F bracket
F konsol
F консоль



GE-GFKN-2

F bracket
F konsol
F консоль



Part No	T	W	A	Kg
GE-GFKN-1-10	5.0	100	145	0.60
GE-GFKN-1-20	5.0	200	145	0.92
GE-GFKN-1-30	5.0	300	145	1.24
GE-GFKN-1-40	5.0	400	145	1.56
GE-GFKN-1-50	5.0	500	145	1.88
GE-GFKN-1-60	5.0	600	145	2.20
GE-GFKN-2-10	5.0	100	215	0.82
GE-GFKN-2-20	5.0	200	215	1.14
GE-GFKN-2-30	5.0	300	215	1.46
GE-GFKN-2-40	5.0	400	215	1.78
GE-GFKN-2-50	5.0	500	215	2.10
GE-GFKN-2-60	5.0	600	215	2.42

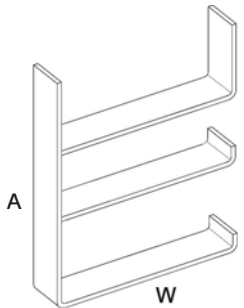
(SS4) (SS6) (HDG) (EG) (ESP) (APB) (AL)

Other sizes available upon request.
İstek üzerine diğer ölçülerde üretim yapılır.
Другие размеры могут быть изготовлены на запросе.

Used as cable support unit on ships. Fixed on ship body by welding.

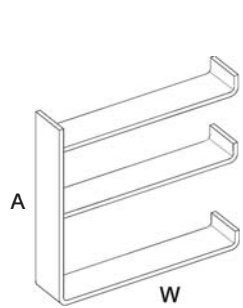
GE-GEKN-1

E bracket
E konsol
E консоль



GE-GEKN-2

E bracket
E konsol
E консоль



Part No	T	W	A	Kg
GE-GEKN-1-10	5.0	100	300	1.75
GE-GEKN-1-20	5.0	200	300	2.35
GE-GEKN-1-30	5.0	300	300	2.95
GE-GEKN-1-40	5.0	400	300	3.55
GE-GEKN-1-50	5.0	500	300	4.15
GE-GEKN-1-60	5.0	600	300	4.75
GE-GEKN-2-10	5.0	100	370	2.03
GE-GEKN-2-20	5.0	200	370	2.63
GE-GEKN-2-30	5.0	300	370	3.23
GE-GEKN-2-40	5.0	400	370	3.83
GE-GEKN-2-50	5.0	500	370	4.43
GE-GEKN-2-60	5.0	600	370	5.03

(SS4) (SS6) (HDG) (EG) (ESP) (APB) (AL)

Other sizes available upon request.
İstek üzerine diğer ölçülerde üretim yapılır.
Другие размеры могут быть изготовлены на запросе.

Used as cable support unit on ships. Fixed on ship body by welding.

Material options: Stainless steel AISI 304 (L) (A2) / AISI 316 (L) (A4), ST-37-42 Mild Steel, Corten A, Pregalvanized steel, Aluminum
 Finish options : Hot Dip Galvanized to EN 1461, Electrogalvanized to TS 149, Electrostatic Paint Coated, Prime coated
 See material & finish option charts for available product specific selections.

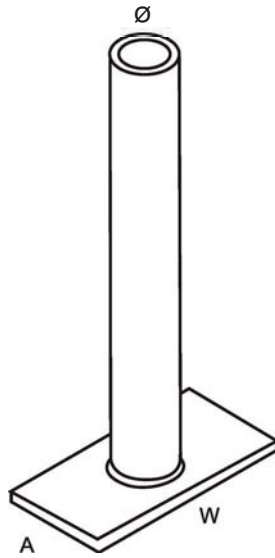
Marine Type Cable Support Systems

GE-GMGLD-1

Lamp bracket

Lamba direği

Монтажный элемент для лампы



Part No	T	W	A	Ø	Kg
GE-GMGLD-1-1	5.0	100	50	3/4	0.36
GE-GMGLD-1-2	5.0	200	50	3/4	0.52
GE-GMGLD-1-3	5.0	300	50	3/4	0.68
GE-GMGLD-1-4	5.0	400	50	3/4	0.84
GE-GMGLD-1-5	5.0	500	50	3/4	1.00
GE-GMGLD-1-6	5.0	600	50	3/4	1.16
GE-GMGLD-1-7	6.0	100	50	1	0.45
GE-GMGLD-1-8	6.0	200	50	1	0.70
GE-GMGLD-1-9	6.0	300	50	1	0.95
GE-GMGLD-1-10	6.0	400	50	1	1.20
GE-GMGLD-1-11	6.0	500	50	1	1.45
GE-GMGLD-1-12	6.0	600	50	1	1.70

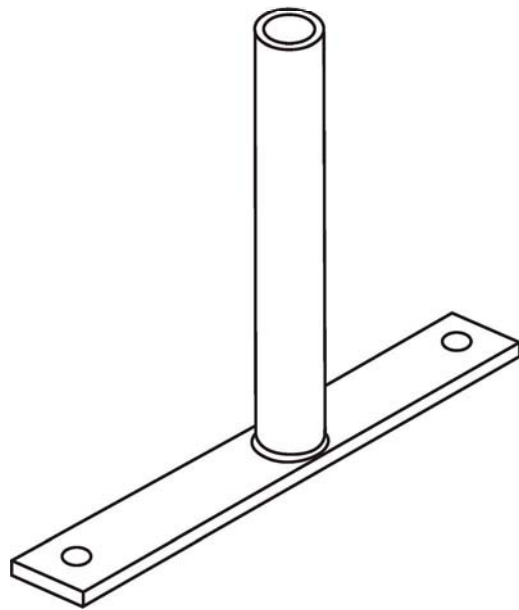
SS4 SS6 HDG EG ESP APB AL

GE-GMGLD-2

Lamp bracket

Lamba direği

Монтажный элемент для лампы



Part No	T	W	A	Ø	Kg
GE-GMGLD-2-1	5.0	100	30	3/4	0.44
GE-GMGLD-2-2	5.0	200	30	3/4	0.60
GE-GMGLD-2-3	5.0	300	30	3/4	0.76
GE-GMGLD-2-4	5.0	400	30	3/4	0.92
GE-GMGLD-2-5	5.0	500	30	3/4	1.08
GE-GMGLD-2-6	5.0	600	30	3/4	1.24
GE-GMGLD-2-7	5.0	100	30	1	0.53
GE-GMGLD-2-8	5.0	200	30	1	0.78
GE-GMGLD-2-9	5.0	300	30	1	1.03
GE-GMGLD-2-10	5.0	400	30	1	1.28
GE-GMGLD-2-11	5.0	500	30	1	1.53
GE-GMGLD-2-12	5.0	600	30	1	1.78

SS4 SS6 HDG EG ESP APB AL

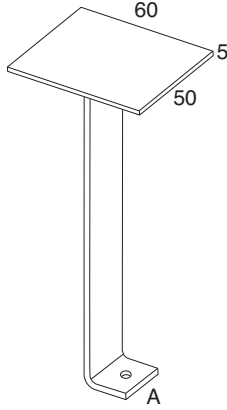
Other sizes available upon request.
 İstek üzerine diğer ölçülerde üretim yapılır.
 Другие размеры могут быть изготовлены на запросе.

Used as lamp post support unit on ships. Fixed on ship body by welding or simply fixing through the holes at sides.

Material options: Stainless steel AISI 304 (L) (A2) / AISI 316 (L) (A4), ST-37-42 Mild Steel, Corten A, Pregalvanized steel, Aluminum
 Finish options : Hot Dip Galvanized to EN 1461, Electrogalvanized to TS 149, Electrostatic Paint Coated, Prime coated
 See material & finish option charts for available product specific selections.

Marine Type Cable Support Systems

GE-GMLAYS
 Ceiling bracket
 Askı ayağı, başlıklı
 Монтажные элементы



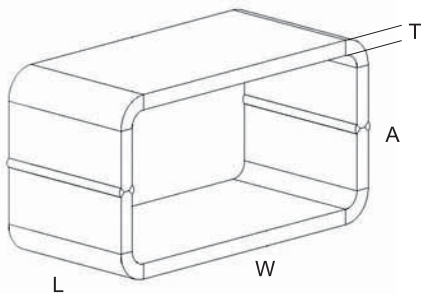
Part No	T	W	A	Kg
GE-GMLAYS-10	5.0	100	30	0.28
GE-GMLAYS-20	5.0	200	30	0.40
GE-GMLAYS-30	5.0	300	30	0.50
GE-GMLAYS-40	5.0	400	30	0.63
GE-GMLAYS-50	5.0	500	30	0.75
GE-GMLAYS-60	5.0	600	30	0.88

SS4 SS6 HDG EG ESP APB AL

Used as cable support unit on ships. Fixed on ship body by welding.

Other sizes available upon request.
 İstek üzerine diğer ölçülerde üretim yapılır.
 Другие размеры могут быть изготовлены на запросе.

GE-MH
 Frame
 Menhol
 Стальная структура



Part No	T	W	A	L	Kg
GE-MH1-10	10	100	100	100	3.52
GE-MH1-15	10	150	100	100	4.32
GE-MH1-20	10	200	100	100	5.12
GE-MH1-25	10	250	100	100	5.92
GE-MH1-30	10	300	100	100	6.72
GE-MH1-40	10	400	100	100	8.32
GE-MH1-50	10	500	100	100	9.92
GE-MH1-60	10	600	100	100	11.52
GE-MH2-10	10	100	100	250	3.84
GE-MH2-15	10	150	100	250	4.64
GE-MH2-20	10	200	100	250	5.44
GE-MH2-25	10	250	100	250	6.24
GE-MH2-30	10	300	100	250	7.04
GE-MH2-40	10	400	100	250	8.64
GE-MH2-50	10	500	100	250	10.24
GE-MH2-60	10	600	100	250	11.84
GE-MH3-10	10	100	120	100	8.80
GE-MH3-15	10	150	120	100	10.80
GE-MH3-20	10	200	120	100	12.80
GE-MH3-25	10	250	120	100	14.80
GE-MH3-30	10	300	120	100	16.80
GE-MH3-40	10	400	120	100	20.80
GE-MH3-50	10	500	120	100	24.80
GE-MH3-60	10	600	120	100	28.80
GE-MH4-10	10	100	120	250	9.60
GE-MH4-15	10	150	120	250	11.60
GE-MH4-20	10	200	120	250	13.60
GE-MH4-25	10	250	120	250	15.60
GE-MH4-30	10	300	120	250	17.60
GE-MH4-40	10	400	120	250	21.60
GE-MH4-50	10	500	120	250	25.60
GE-MH4-60	10	600	120	250	29.60

Other sizes available upon request.
 İstek üzerine diğer ölçülerde üretim yapılır.
 Другие размеры могут быть изготовлены на запросе.

Used as cabling and / or piping passage frame.
 Welded into walls or compartments to enable safe and proper cabling.

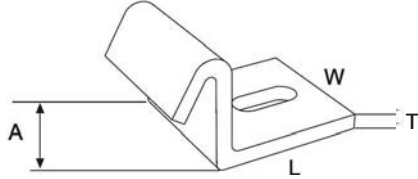
SS4 SS6 HDG EG ESP APB AL

Material options: Stainless steel AISI 304 (L) (A2) / AISI 316 (L) (A4), ST-37-42 Mild Steel, Corten A, Pregalvanized steel, Aluminum
 Finish options : Hot Dip Galvanized to EN 1461, Electrogalvanized to TS 149, Electrostatic Paint Coated, Prime coated
 See material & finish option charts for available product specific selections.

Marine Type Cable Support Systems

GE-ITP-A

Fixing clamp
 Tespit kelepçesi
 Фиксация зажим



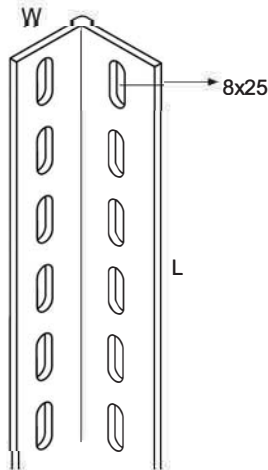
Part No	T	W	A	L	Kg
GE-ITP-A	5	50	34	40	0.27

SS4 SS6 HDG EG ESP APB AL

Other sizes available upon request.
 İstek üzerine diğer ölçülerde üretim yapılır.
 Другие размеры могут быть изготовлены на запросе.

GE-LS

L channel
 L profil
 Профиль



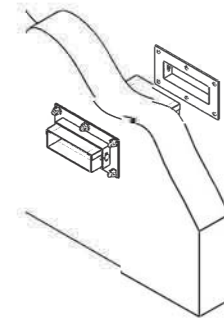
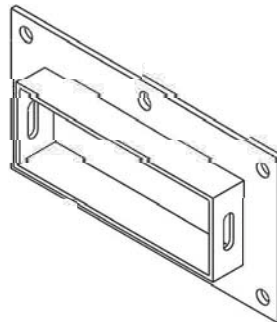
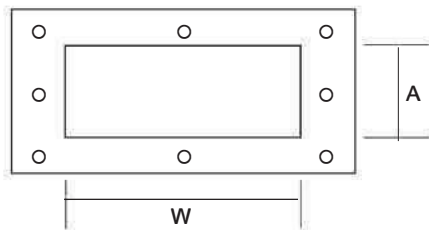
Part No	T	W	A	L	Kg/m
GE-LS-1	2	30	30	2400	0.90
GE-LS-2	2	40	40	3000	1.20
GE-LS-3	3	30	30	3000	1.30
GE-LS-4	3	40	40	3000	1.80
GE-LS-5	4	30	30	3000	1.66
GE-LS-6	4	40	40	3000	2.30
GE-LS-7	3	50	50	2000	2.15

HDG EG SS4 SS6 ESB APB PG

Other sizes available upon request.
 İstek üzerine diğer ölçülerde üretim yapılır.
 Другие размеры могут быть изготовлены на запросе.

GE-WFR

Wall frame
 Duvardan geçiş menholü
 Стена кадр



HDG EG SS4 SS6 ESB APB AL

The image displays various components of the GERPAAS support system against a black background. In the upper left, two long, silver-colored metal channels are shown, one above the other. The top channel features a series of oval-shaped cutouts along its length. Below these channels, in the lower left, is a small L-shaped metal bracket with two circular holes. In the lower right, there is a long, thin metal rod with a threaded end and another L-shaped metal bracket with two circular holes.

GERPAAS[®]

Support systems
Supportage
Tragsystemen
Поддержка систем
Destek sistemleri

GERPAAS[®]



GE-CSKS CLAMPS

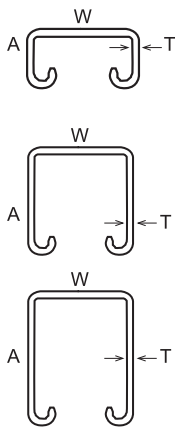


Material options: Stainless steel AISI 304 (L) (A2) / AISI 316 (L) (A4), ST-37-42 Mild Steel, Corten A, Pregalvanized steel, Aluminum
 Finish options : Hot Dip Galvanized to EN 1461, Electrogalvanized to TS 149, Electrostatic Paint Coated, Prime coated
 See material & finish option charts for available product specific selections.

Support Systems

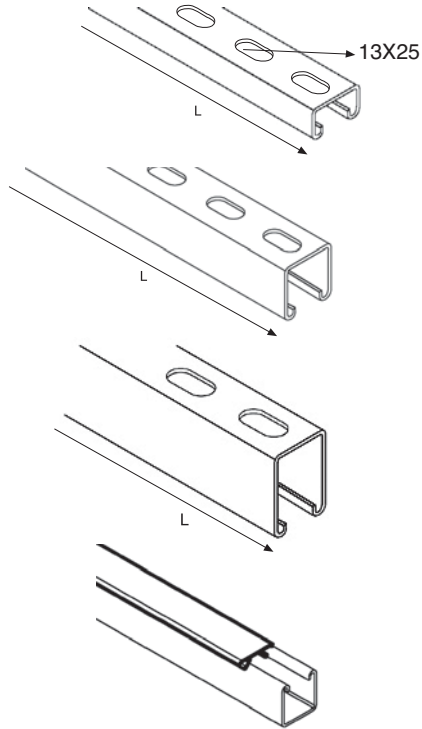
GE-UCD

C channel, perforated, single
 C profil, delikli, tekli
 Профиль



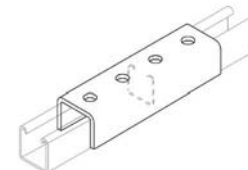
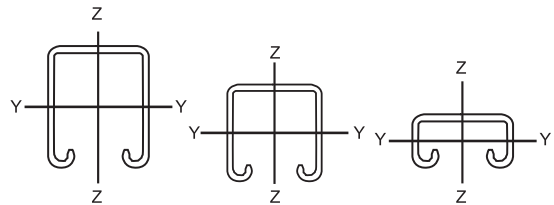
GE-CPC

Cover for channel, PVC
 Profil kapağı, plastik
 Обложка для канала, ПВХ

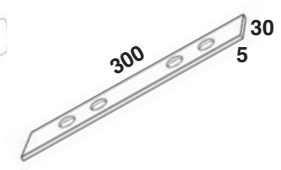


Part No	T	W	A	L	Kg/m	I _y	L _z
GE-UCD-1	2.0	41	21	3000	1.60	1.1	4.7
GE-UCD-2	2.5	41	21	3000	2.00	1.3	5.6
GE-UCD-3	1.5	41	41	3000	1.70	4.9	6.1
GE-UCD-4	2.0	41	41	3000	2.25	6.2	7.8
GE-UCD-5	2.5	41	41	3000	2.80	7.3	9.3
GE-UCD-6	2.5	41	83	6000	4.40	37.5	16.5

HDG PG SS4 SS6 ESB APB L: 3/6m



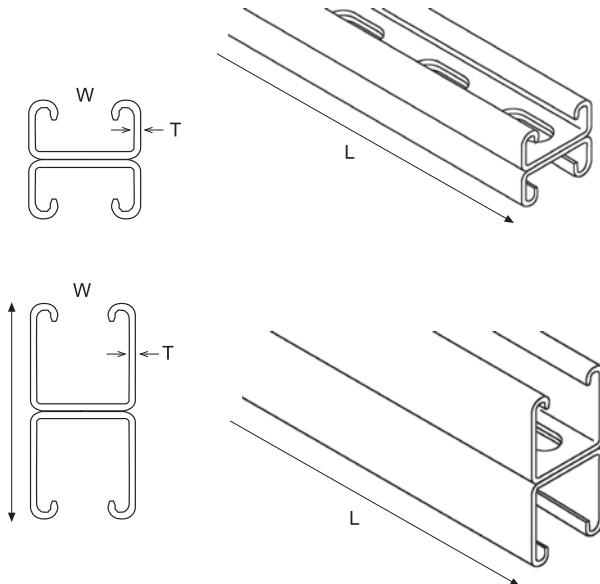
GE-UCDEKD



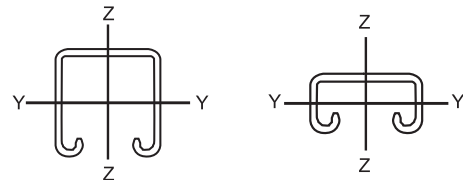
GE-UCDEKC

GE-CDOD

C channel, perforated, back to back
 C profil, delikli, çiftli
 Профиль



Part No	T	W	A	L	Kg/m	I _y	L _z
GE-CDOD-1	2.0	41	43	3000	3.20	9.4	5.4
GE-CDOD-2	2.0	41	83	3000	4.50	31.6	15.5
GE-CDOD-3	2.5	41	43	3000	4.00	11.1	6.2
GE-CDOD-4	2.0	41	83	3000	5.60	37.5	18.6



HDG PG SS4 SS6 ESB APB

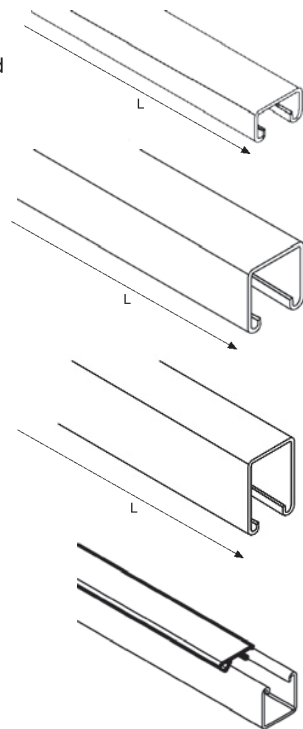
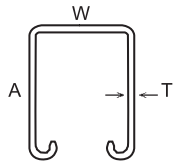
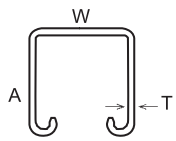
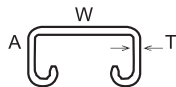
Material options: Stainless steel AISI 304 (L) (A2) / AISI 316 (L) (A4), ST-37-42 Mild Steel, Corten A, Pregalvanized steel, Aluminum
 Finish options : Hot Dip Galvanized to EN 1461, Electrogalvanized to TS 149, Electrostatic Paint Coated, Prime coated
 See material & finish option charts for available product specific selections.

Support Systems

GE-UC

C channel, non perforated
 C profil, deliksiz

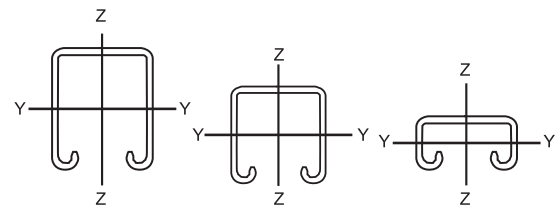
Профиль



GE-CPC

Cover for channel, PVC
 Profil kapağı, plastik
 Обложка для канала, ПВХ

Part No	T	W	A	L	Kg/m	I _y	L _z
						cm ⁴	cm ⁴
GE-UC-1	2.0	41	21	3000	1.70	1.1	4.7
GE-UC-2	2.5	41	21	3000	2.10	1.3	5.6
GE-UC-3	1.5	41	41	3000	1.80	4.9	6.1
GE-UC-4	2.0	41	41	3000	2.35	6.2	7.8
GE-UC-5	2.5	41	41	3000	2.90	7.3	9.3
GE-UC-6	2.5	41	83	6000	4.40	37.5	16.5

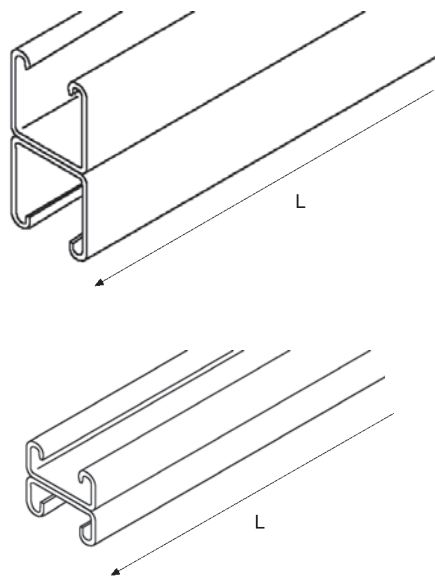
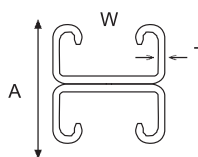
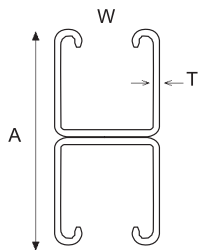


HDG PG SS4 SS6 ESB APB

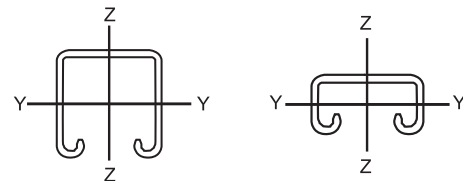
GE-CDO

C channel, non perforated, back to back
 C profil, deliksiz, çiftli

Профиль



Part No	T	W	A	L	Kg/m	I _y	L _z
						cm ⁴	cm ⁴
GE-CDO-1	2.0	41	43	3000	3.00	9.4	5.4
GE-CDO-2	2.0	41	83	3000	4.30	31.6	15.5
GE-CDO-3	2.5	41	43	3000	3.75	11.1	6.2
GE-CDO-4	2.5	41	83	3000	5.60	37.5	18.6



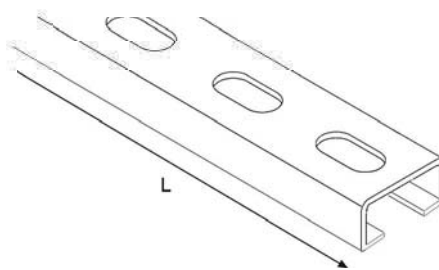
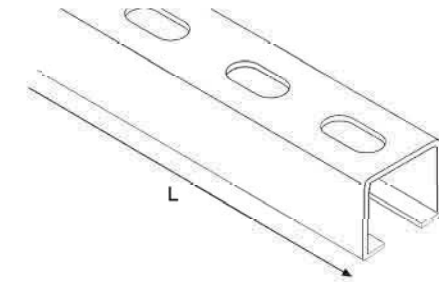
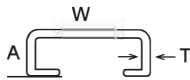
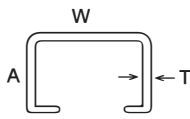
HDG PG SS4 SS6 ESB APB

Material options: Stainless steel AISI 304 (L) (A2) / AISI 316 (L) (A4), ST-37-42 Mild Steel, Corten A, Pregalvanized steel, Aluminum
 Finish options : Hot Dip Galvanized to EN 1461, Electrogalvanized to TS 149, Electrostatic Paint Coated, Prime coated
 See material & finish option charts for available product specific selections.

Support Systems

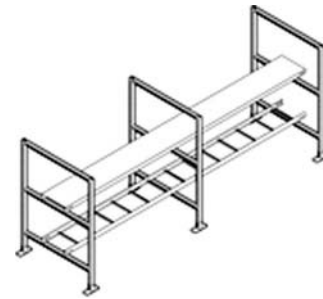
GE-UCHD

C channel, perforated, single
 C profil, delikli, tekli
 Профиль



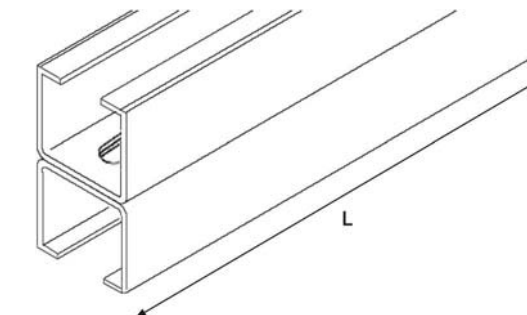
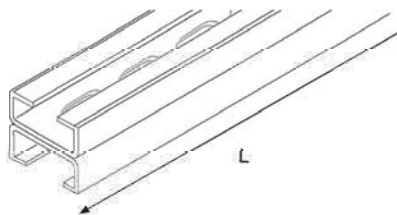
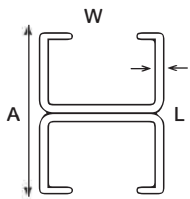
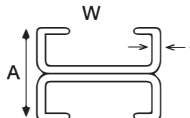
Part No	T	W	A	L	Kg/m	I _y	L _z
GE-UCHD-1	1.5	41	21	3000	1.04	0.8	3.4
GE-UCHD-2	1.5	41	41	3000	1.52	4.4	5.8
GE-UCHD-3	2.0	41	41	3000	2.05	5.6	7.4
GE-UCHD-4	1.2	27	18	2000	0.65	0.4	0.9
GE-UCHD-5	2.0	38	40	2000	2.00	5.0	6.1
GE-UCHD-6	3.0	40	60	2000	3.85	13.5	20.0

(HDG) (PG) (SS4) (SS6) (ESB) (APB)



GE-UCHOD

C channel, perforated, back to back
 C profil, delikli, çiftli
 Профиль



Part No	T	W	A	L	Kg/m	I _y	L _z
GE-UCHOD-1	1.5	41	43	3000	2.08	3.3	6.8
GE-UCHOD-2	1.5	41	83	3000	3.04	19.7	11.5
GE-UCHOD-3	2.0	41	83	3000	4.10	25.7	14.7

(HDG) (PG) (SS4) (SS6) (ESB) (APB)

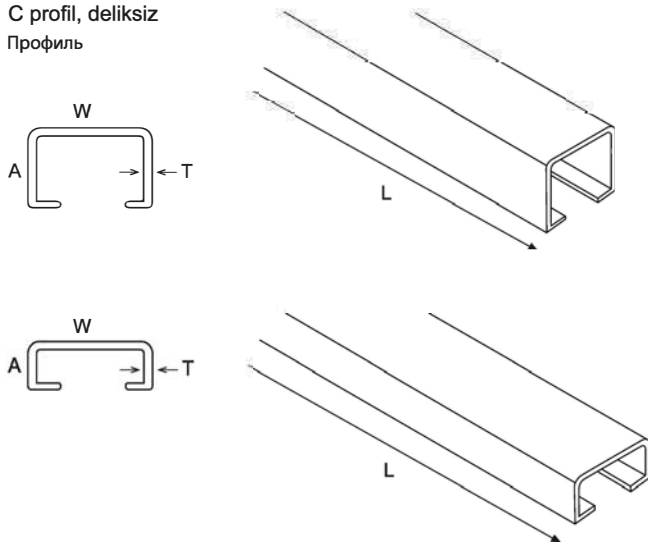


Material options: Stainless steel AISI 304 (L) (A2) / AISI 316 (L) (A4), ST-37-42 Mild Steel, Corten A, Pregalvanized steel, Aluminum
 Finish options : Hot Dip Galvanized to EN 1461, Electrogalvanized to TS 149, Electrostatic Paint Coated, Prime coated
 See material & finish option charts for available product specific selections.

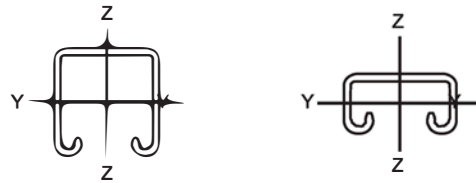
Support Systems

GE-UCH

C channel, non perforated
 C profil, deliksiz
 Профиль



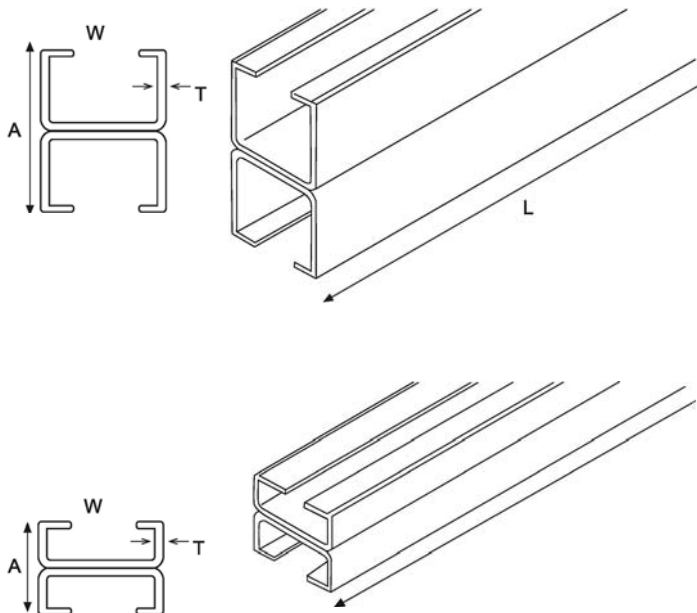
Part No	T	W	A	L	Kg/m	I_y	L_z
GE-UCH-1	1.5	41	21	3000	1.12	0.8	3.4
GE-UCH-2	1.5	41	41	3000	1.60	4.4	5.8
GE-UCH-3	2.0	41	41	3000	2.15	5.6	7.4



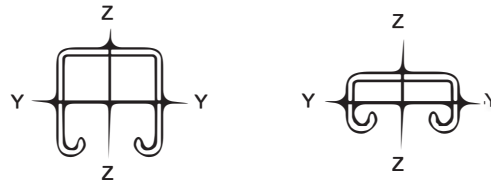
HDG PG SS4 SS6 ESB APB

GE-UCHO

C channel, non perforated, back to back
 C profil, deliksiz, çiftli
 Профиль



Part No	T	W	A	L	Kg/m	I_y	L_z
GE-UCHO-1	1.5	41	43	3000	2.24	3.3	6.8
GE-UCHO-2	1.5	41	83	3000	3.20	19.7	11.5
GE-UCHO-3	2.0	41	83	3000	4.30	25.7	14.7

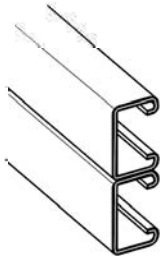


HDG PG SS4 SS6 ESB APB

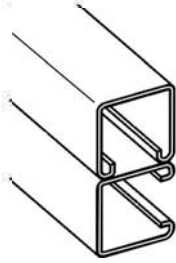
GERPAAS®

- EN Support systems
- FR Supportage
- D Tragsystemen
- RU Поддержка систем
- TR Destek sistemleri

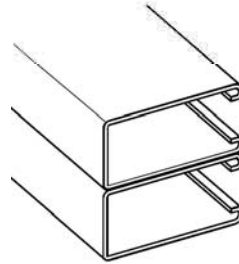
Material options: Stainless steel AISI 304 (L) (A2) / AISI 316 (L) (A4), ST-37-42 Mild Steel, Corten A, Pregalvanized steel, Aluminum
 Finish options : Hot Dip Galvanized to EN 1461, Electrogalvanized to TS 149, Electrostatic Paint Coated, Prime coated
 See material & finish option charts for available product specific selections.



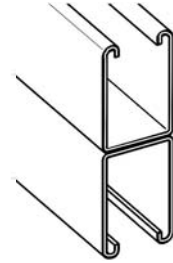
GE-UCAF-1



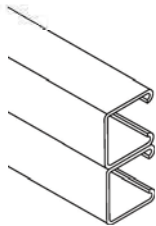
GE-UCAF-2



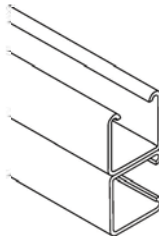
GE-UCAF-3



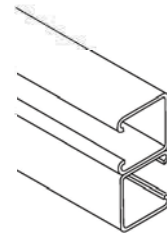
GE-UCAF-4



GE-UCAF-5



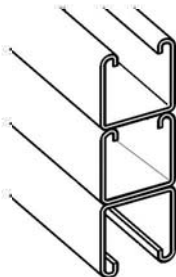
GE-UCAF-6



GE-UCAF-7



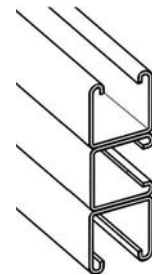
GE-UCAF-8



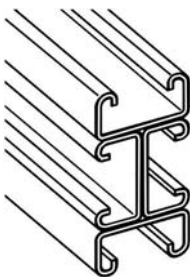
GE-UCAF-9



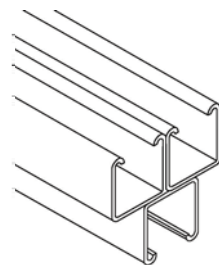
GE-UCAF-10



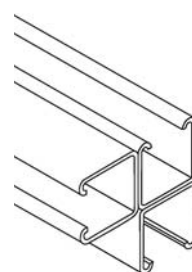
GE-UCAF-11



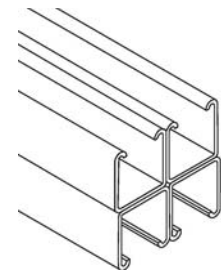
GE-UCAF-12



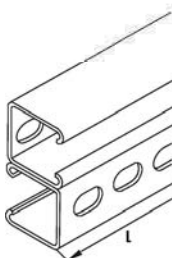
GE-UCAF-13



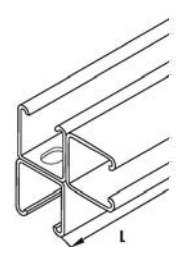
GE-UCAF-14



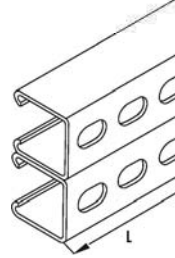
GE-UCAF-15



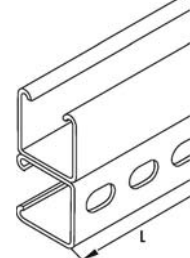
GE-UCAF-16



GE-UCAF-17



GE-UCAF-18



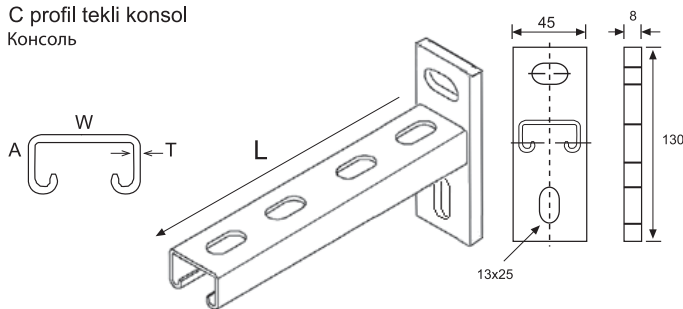
GE-UCAF-19

Material options: Stainless steel AISI 304 (L) (A2) / AISI 316 (L) (A4), ST-37-42 Mild Steel, Corten A, Pregalvanized steel, Aluminum
 Finish options : Hot Dip Galvanized to EN 1461, Electrogalvanized to TS 149, Electrostatic Paint Coated, Prime coated
 See material & finish option charts for available product specific selections.

Support Systems

GE-KDC

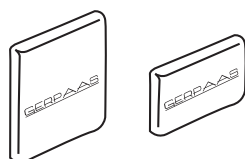
C channel single bracket
 C profil tekli konsol
 Консоль



Part No	T	W	A	L	Kg
GE-KDC-1	1.5	41	21	110	0,49
GE-KDC-2	1.5	41	21	160	0,54
GE-KDC-3	1.5	41	21	210	0,59
GE-KDC-4	1.5	41	21	235	0,62
GE-KDC-5	1.5	41	21	310	0,70
GE-KDC-6	1.5	41	21	410	0,80
GE-KDC-7	1.5	41	21	460	0,85
GE-KDC-8	1.5	41	21	510	0,90
GE-KDC-9	1.5	41	21	610	1,00
GE-KDC-10	2.0	41	21	110	0,52
GE-KDC-11	2.0	41	21	160	0,59
GE-KDC-12	2.0	41	21	210	0,66
GE-KDC-13	2.0	41	21	235	0,70
GE-KDC-14	2.0	41	21	310	0,80
GE-KDC-15	2.0	41	21	410	0,94
GE-KDC-16	2.0	41	21	460	1,06
GE-KDC-17	2.0	41	21	510	1,10
GE-KDC-18	2.0	41	21	610	1,22

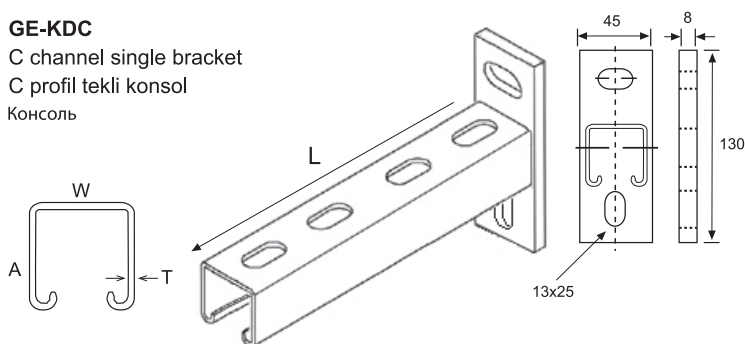
GE-CPS

End cap for channel, PVC
 Profil sonlandırma elemanı, plastik
 Колпачок на конец пластик



GE-KDC

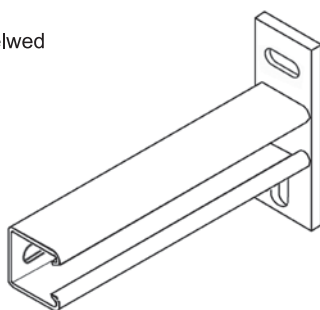
C channel single bracket
 C profil tekli konsol
 Консоль



Part No	T	W	A	L	Kg
GE-KDC-19	2.0	41	41	110	0,59
GE-KDC-20	2.0	41	41	160	0,70
GE-KDC-21	2.0	41	41	210	0,80
GE-KDC-22	2.0	41	41	235	0,86
GE-KDC-23	2.0	41	41	310	1,02
GE-KDC-24	2.0	41	41	410	1,25
GE-KDC-25	2.0	41	41	460	1,35
GE-KDC-26	2.0	41	41	510	1,45
GE-KDC-27	2.0	41	41	610	1,67
GE-KDC-28	2.0	41	41	760	1,99
GE-KDC-29	2.0	41	41	910	2,30
GE-KDC-30	2.5	41	41	110	0,65
GE-KDC-31	2.5	41	41	160	0,79
GE-KDC-32	2.5	41	41	210	0,93
GE-KDC-33	2.5	41	41	235	0,99
GE-KDC-34	2.5	41	41	310	1,20
GE-KDC-35	2.5	41	41	410	1,48
GE-KDC-36	2.5	41	41	460	1,60
GE-KDC-37	2.5	41	41	510	1,75
GE-KDC-38	2.5	41	41	610	2,00
GE-KDC-39	2.5	41	41	760	2,44
GE-KDC-40	2.5	41	41	910	2,85
GE-KDC-41	2.5	41	41	1010	3,15
GE-KDC-42	2.5	41	41	1210	3,68
GE-KDC-43	2.5	41	41	1510	4,50

GE-KDCY

C channel single bracket, side welded
 C profil tekli konsol, yan kaynak
 Консоль

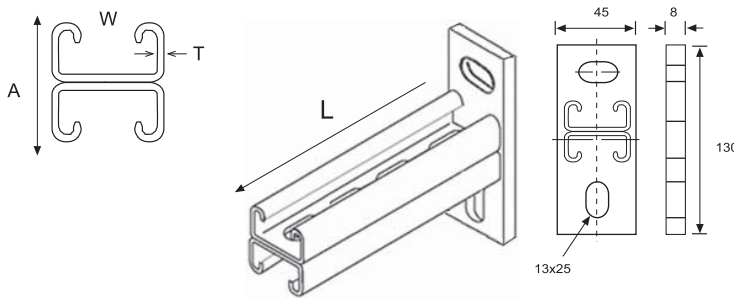


Material options: Stainless steel AISI 304 (L) (A2) / AISI 316 (L) (A4), ST-37-42 Mild Steel, Corten A, Pregalvanized steel, Aluminum
 Finish options : Hot Dip Galvanized to EN 1461, Electrogalvanized to TS 149, Electrostatic Paint Coated, Prime coated
 See material & finish option charts for available product specific selections.

Support Systems

GE-KDCD

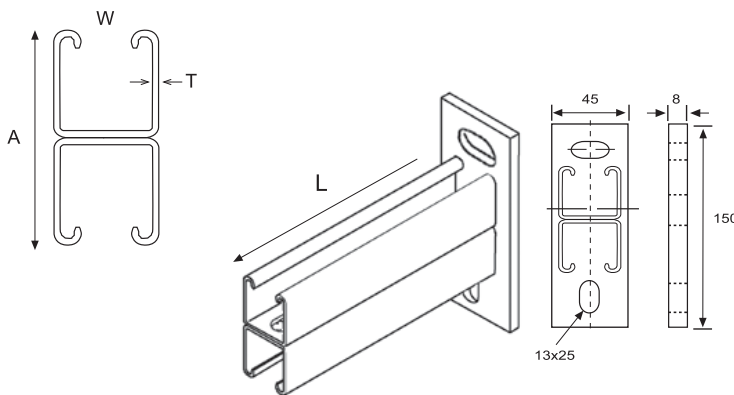
C channel bracket, back to back
 C profil çiftli konsol
 Консоль



Part No	T	W	A	L	Kg
GE-KDCD-1	1.5	41	43	110	0.59
GE-KDCD-2	1.5	41	43	210	0.80
GE-KDCD-3	1.5	41	43	310	1.00
GE-KDCD-4	1.5	41	43	410	1.22
GE-KDCD-5	1.5	41	43	510	1.43
GE-KDCD-6	2.0	41	43	610	2.30
GE-KDCD-7	2.0	41	43	760	2.78
GE-KDCD-8	2.0	41	43	910	3.25
GE-KDCD-9	2.0	41	43	110	0.66
GE-KDCD-10	2.0	41	43	160	0.90
GE-KDCD-11	2.0	41	43	210	1.00
GE-KDCD-12	2.0	41	43	235	1.10
GE-KDCD-13	2.0	41	43	310	1.33
GE-KDCD-14	2.0	41	43	410	1.66
GE-KDCD-15	2.0	41	43	460	1.80
GE-KDCD-16	2.0	41	43	510	1.98
GE-KDCD-17	2.5	41	43	610	2.78
GE-KDCD-18	2.5	41	43	760	3.38
GE-KDCD-19	2.5	41	43	910	3.98

GE-KDCD

C channel bracket, back to back
 C profil çiftli konsol
 Консоль



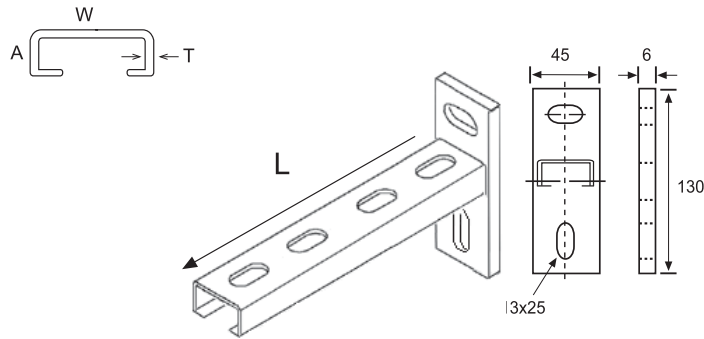
Part No	T	W	A	L	Kg
GE-KDCD-20	2.0	41	83	110	0.84
GE-KDCD-21	2.0	41	83	160	1.05
GE-KDCD-22	2.0	41	83	210	1.25
GE-KDCD-23	2.0	41	83	235	1.35
GE-KDCD-24	2.0	41	83	310	1.65
GE-KDCD-25	2.0	41	83	410	2.10
GE-KDCD-26	2.0	41	83	460	2.30
GE-KDCD-27	2.0	41	83	510	2.50
GE-KDCD-28	2.0	41	83	610	2.90
GE-KDCD-29	2.0	41	83	760	3.50
GE-KDCD-30	2.0	41	83	910	4.15
GE-KDCD-31	2.5	41	83	110	0.97
GE-KDCD-32	2.5	41	83	160	1.25
GE-KDCD-33	2.5	41	83	210	1.50
GE-KDCD-34	2.5	41	83	235	1.65
GE-KDCD-35	2.5	41	83	310	2.05
GE-KDCD-36	2.5	41	83	410	2.60
GE-KDCD-37	2.5	41	83	460	2.90
GE-KDCD-38	2.5	41	83	510	3.15
GE-KDCD-39	2.5	41	83	610	3.70
GE-KDCD-40	2.5	41	83	760	4.50
GE-KDCD-41	2.5	41	83	910	5.30
GE-KDCD-42	2.5	41	83	1010	5.85
GE-KDCD-43	2.5	41	83	1210	6.90
GE-KDCD-44	2.5	41	83	1510	8.55

Material options: Stainless steel AISI 304 (L) (A2) / AISI 316 (L) (A4), ST-37-42 Mild Steel, Corten A, Pregalvanized steel, Aluminum
 Finish options : Hot Dip Galvanized to EN 1461, Electrogalvanized to TS 149, Electrostatic Paint Coated, Prime coated
 See material & finish option charts for available product specific selections.

Support Systems

GE-KDH

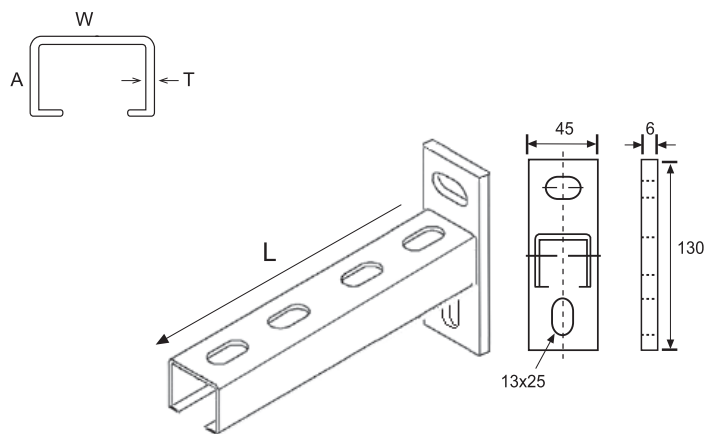
C channel single bracket
 C profil tekli konsol
 Консоль



Part No	T	W	A	L	Kg
GE-KDH-1	1.5	41	21	110	0.38
GE-KDH-2	1.5	41	21	210	0.49
GE-KDH-3	1.5	41	21	310	0.60
GE-KDH-4	1.5	41	21	410	0.70
GE-KDH-5	1.5	41	21	510	0.80
GE-KDH-6	1.5	41	21	610	0.90
GE-KDH-7	2.0	41	21	110	0.42
GE-KDH-8	2.0	41	21	210	0.56
GE-KDH-9	2.0	41	21	310	0.70
GE-KDH-10	2.0	41	21	410	0.84
GE-KDH-11	2.0	41	21	510	1.00
GE-KDH-12	2.0	41	21	610	1.12

GE-KDH

C channel single bracket
 C profil tekli konsol
 Консоль



Part No	T	W	A	L	Kg
GE-KDH-13	1.5	41	41	110	0.43
GE-KDH-14	1.5	41	41	210	0.58
GE-KDH-15	1.5	41	41	310	0.73
GE-KDH-16	1.5	41	41	410	0.88
GE-KDH-17	1.5	41	41	510	1.03
GE-KDH-18	1.5	41	41	610	1.18
GE-KDH-19	2.0	41	41	110	0.49
GE-KDH-20	2.0	41	41	210	0.69
GE-KDH-21	2.0	41	41	310	0.90
GE-KDH-22	2.0	41	41	410	1.10
GE-KDH-23	2.0	41	41	510	1.30
GE-KDH-24	2.0	41	41	610	1.50
GE-KDH-25	2.0	41	41	760	1.82
GE-KDH-26	2.0	41	41	910	2.12

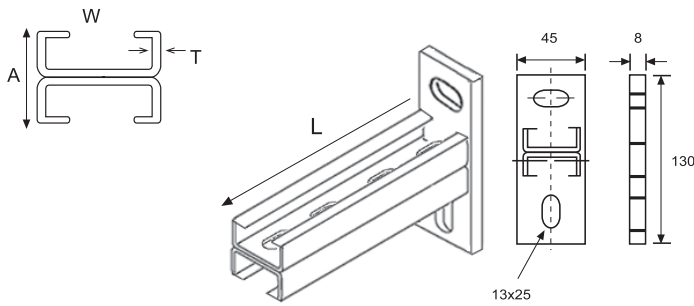
HDG EG SS4 SS6 ESB APB

Material options: Stainless steel AISI 304 (L) (A2) / AISI 316 (L) (A4), ST-37-42 Mild Steel, Corten A, Pregalvanized steel, Aluminum
 Finish options : Hot Dip Galvanized to EN 1461, Electrogalvanized to TS 149, Electrostatic Paint Coated, Prime coated
 See material & finish option charts for available product specific selections.

Support Systems

GE-KDHD

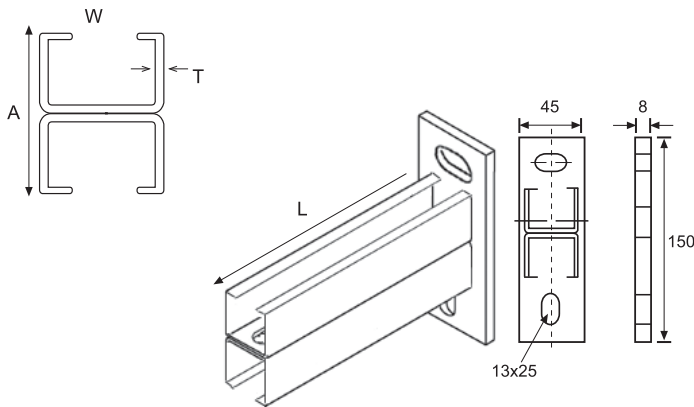
C channel bracket, back to back
 C profil çiftli konsol
 Консоль



Part No	T	W	A	L	Kg
GE-KDHD-1	1.5	41	43	110	0.59
GE-KDHD-2	1.5	41	43	210	0.80
GE-KDHD-3	1.5	41	43	310	1.00
GE-KDHD-4	1.5	41	43	410	1.22
GE-KDHD-5	1.5	41	43	510	1.43
GE-KDHD-6	1.5	41	43	610	1.64
GE-KDHD-7	2.0	41	43	110	0.66
GE-KDHD-8	2.0	41	43	210	0.94
GE-KDHD-9	2.0	41	43	310	1.22
GE-KDHD-10	2.0	41	43	410	1.50
GE-KDHD-11	2.0	41	43	510	1.78
GE-KDHD-12	2.0	41	43	610	2.06

GE-KDHD

C channel bracket, back to back
 C profil çiftli konsol
 Консоль



Part No	T	W	A	L	Kg
GE-KDH-13	1.5	41	83	110	0.73
GE-KDH-14	1.5	41	83	210	1.00
GE-KDH-15	1.5	41	83	310	1.33
GE-KDH-16	1.5	41	83	410	1.63
GE-KDH-17	1.5	41	83	510	1.95
GE-KDH-18	1.5	41	83	610	2.25
GE-KDH-19	2.0	41	83	110	0.84
GE-KDH-20	2.0	41	83	210	1.25
GE-KDH-21	2.0	41	83	310	1.66
GE-KDH-22	2.0	41	83	410	2.07
GE-KDH-23	2.0	41	83	510	2.48
GE-KDH-24	2.0	41	83	610	2.90
GE-KDH-25	2.0	41	83	760	3.50
GE-KDH-26	2.0	41	83	910	4.12

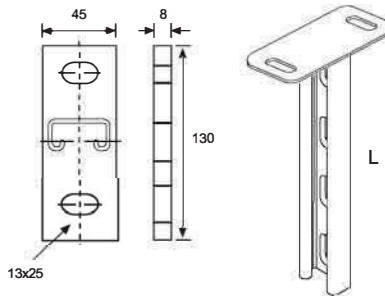
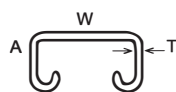
HDG EG SS4 SS6 ESB APB

Material options: Stainless steel AISI 304 (L) (A2) / AISI 316 (L) (A4), ST-37-42 Mild Steel, Corten A, Pregalvanized steel, Aluminum
 Finish options : Hot Dip Galvanized to EN 1461, Electrogalvanized to TS 149, Electrostatic Paint Coated, Prime coated
 See material & finish option charts for available product specific selections.

Support Systems

GE-TA-5

Ceiling bracket
 Tavan askı
 Потолочная консоль

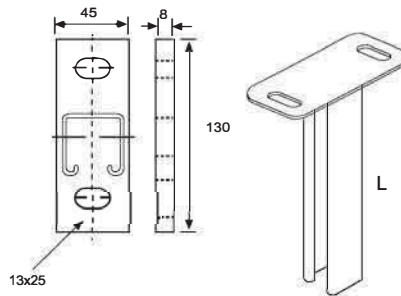
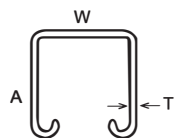


Part No	T	W	A	L	Kg
GE-TA-5-1	2	41	21	500	1.07
GE-TA-5-2	2	41	21	750	1.42
GE-TA-5-3	2	41	21	1000	1.77
GE-TA-5-4	2	41	21	1250	2.12

HDG EG SS4 SS6 ESB APB

GE-TA-6

Ceiling bracket
 Tavan askı
 Потолочная консоль

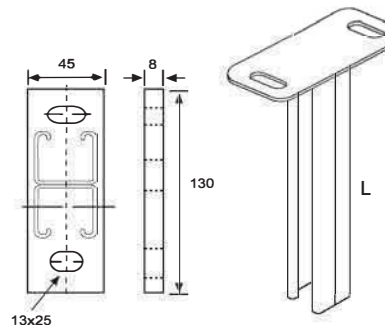
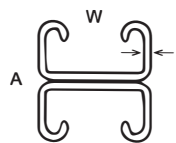


Part No	T	W	A	L	Kg
GE-TA-6-1	2	41	41	500	1.37
GE-TA-6-2	2	41	41	750	1.87
GE-TA-6-3	2	41	41	1000	2.37
GE-TA-6-4	2	41	41	1250	2.87

HDG EG SS4 SS6 ESB APB

GE-TA-7

Ceiling bracket
 Tavan askı
 Потолочная консоль

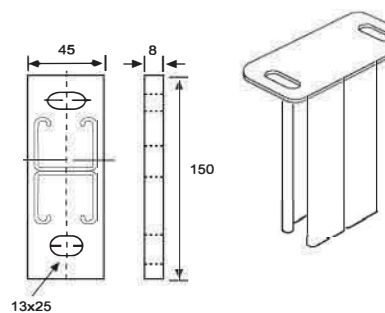
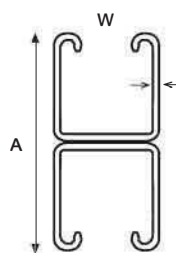


Part No	T	W	A	L	Kg
GE-TA-7-1	2	41	43	500	1.77
GE-TA-7-2	2	41	43	750	2.47
GE-TA-7-3	2	41	43	1000	3.17
GE-TA-7-4	2	41	43	1250	3.87
GE-TA-7-5	2	41	43	1500	4.57
GE-TA-7-6	2	41	43	2000	5.97

HDG EG SS4 SS6 ESB APB

GE-TA-8

Ceiling bracket
 Tavan askı
 Потолочная консоль



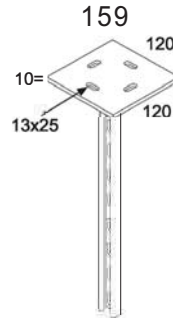
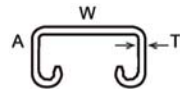
Part No	T	W	A	L	Kg
GE-TA8-1	2	41	83	500	2.37
GE-TA8-2	2	41	83	750	3.37
GE-TA8-3	2	41	83	1000	4.37
GE-TA8-4	2	41	83	1250	5.37
GE-TA8-5	2	41	83	1500	6.37
GE-TA8-6	2	41	83	2000	8.37

HDG EG SS4 SS6 ESB APB

Material options: Stainless steel AISI 304 (L) (A2) / AISI 316 (L) (A4), ST-37-42 Mild Steel, Corten A, Pregalvanized steel, Aluminum
 Finish options : Hot Dip Galvanized to EN 1461, Electrogalvanized to TS 149, Electrostatic Paint Coated, Prime coated
 See material & finish option charts for available product specific selections.

Support Systems

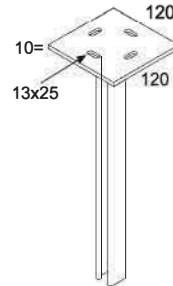
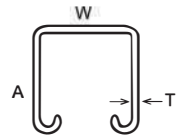
GE-TA-9
 Ceiling bracket
 Tavan askı
 Потолочная консоль



Part No	T	W	A	L	Kg
GE-TA-9-1	2	41	21	500	2.02
GE-TA-9-2	2	41	21	750	2.50
GE-TA-9-3	2	41	21	1000	3.00
GE-TA-9-4	2	41	21	1250	3.50

(HDG) (EG) (SS4) (SS6) (ESB) (APB)

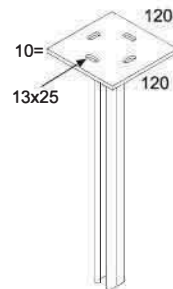
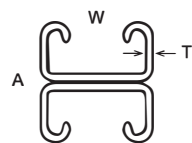
GE-TA-10
 Ceiling bracket
 Tavan askı
 Потолочная консоль



Part No	T	W	A	L	Kg
GE-TA-10-1	2	41	41	500	2.50
GE-TA-10-2	2	41	41	750	3.10
GE-TA-10-3	2	41	41	1000	3.70
GE-TA-10-4	2	41	41	1250	4.30

(HDG) (EG) (SS4) (SS6) (ESB) (APB)

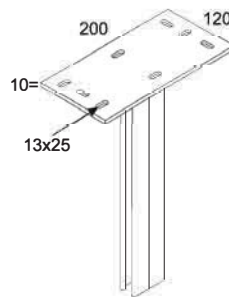
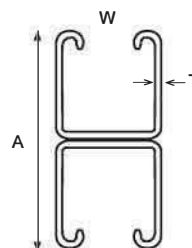
GE-TA-11
 Ceiling bracket
 Tavan askı
 Потолочная консоль



Part No	T	W	A	L	Kg
GE-TA-11-1	2	41	43	500	2.88
GE-TA-11-2	2	41	43	750	3.82
GE-TA-11-3	2	41	43	1000	4.76
GE-TA-11-4	2	41	43	1250	5.68
GE-TA-11-5	2	41	43	1500	6.64
GE-TA-11-6	2	41	43	2000	8.52

(HDG) (EG) (SS4) (SS6) (ESB) (APB)

GE-TA-12
 Ceiling bracket
 Tavan askı
 Потолочная консоль



Part No	T	W	A	L	Kg
GE-TA-12-1	2	41	83	500	4.50
GE-TA-12-2	2	41	83	750	6.25
GE-TA-12-3	2	41	83	1000	7.10
GE-TA-12-4	2	41	83	1250	7.95
GE-TA-12-5	2	41	83	1500	9.80
GE-TA-12-6	2	41	83	2000	12.50

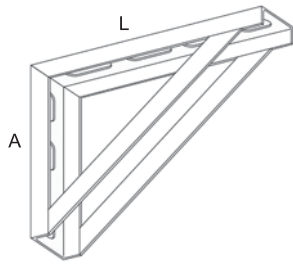
(HDG) (EG) (SS4) (SS6) (ESB) (APB)

Material options: Stainless steel AISI 304 (L) (A2) / AISI 316 (L) (A4), ST-37-42 Mild Steel, Corten A, Pregalvanized steel, Aluminum
 Finish options : Hot Dip Galvanized to EN 1461, Electrogalvanized to TS 149, Electrostatic Paint Coated, Prime coated
 See material & finish option charts for available product specific selections.

Support Systems

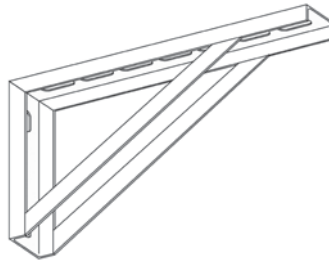
GE-BRCC-1

Custom bracket
 Özel konsol
 Кронштейн поддержки



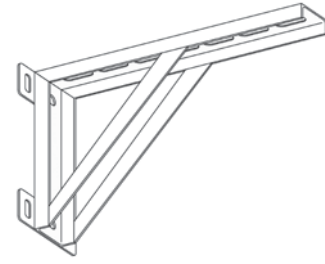
GE-BRCC-2

Custom bracket
 Özel konsol
 Кронштейн поддержки



GE-BRCC-3

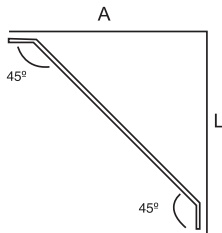
Custom bracket
 Özel konsol
 Кронштейн поддержки



HDG EG SS4 SS6 ESB APB

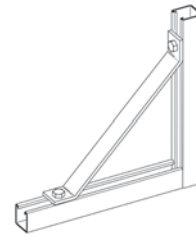
GE-EXTR

Support for bracket
 Konsol destek
 Кронштейн поддержки



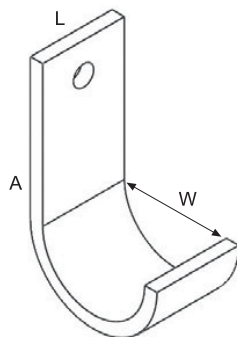
Part No	T	W	A	L	Kg
GE-EXTR-1	5	40	200	280	0.50
GE-EXTR-2	5	40	270	380	0.67
GE-EXTR-3	5	40	350	495	0.86

HDG EG SS4 SS6 ESB APB



GE-HBR

Hook bracket
 Kanca tipi konsol
 Консоль



Part No	T	W	A	L	Kg
GE-HBR-10	3	25	100	40	0.30
GE-HBR-20	6	25	100	40	0.60
GE-HBR-30	6	50	100	40	

HDG EG SS4 SS6 ESB APB

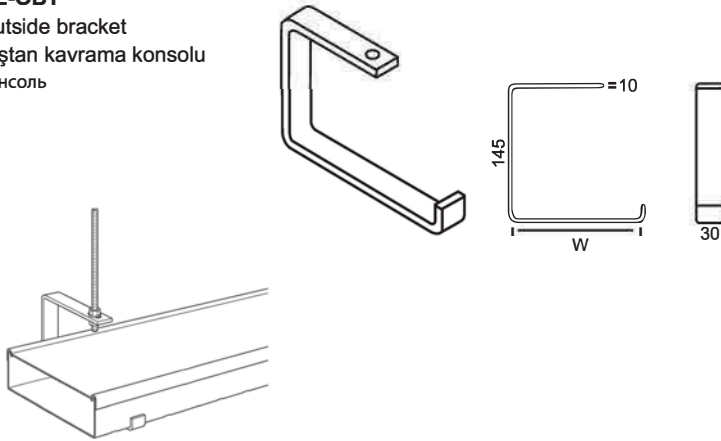


Material options: Stainless steel AISI 304 (L) (A2) / AISI 316 (L) (A4), ST-37-42 Mild Steel, Corten A, Pregalvanized steel, Aluminum
 Finish options : Hot Dip Galvanized to EN 1461, Electrogalvanized to TS 149, Electrostatic Paint Coated, Prime coated
 See material & finish option charts for available product specific selections.

Support Systems

GE-OBT

Outside bracket
 Dıştan kavrama konsolu
 Консоль

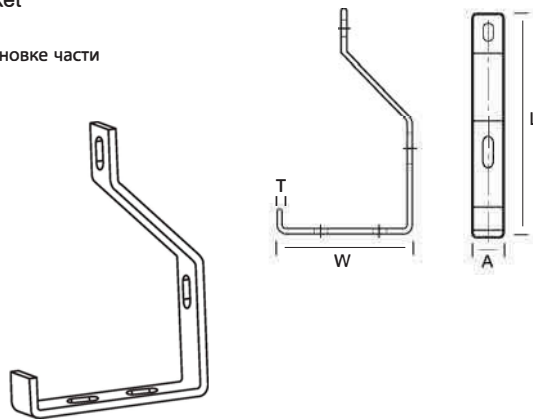


Part No	T	W	A	L	Kg
GE-OBT-50	10	50	145	30	0.50
GE-OBT-70	10	70	145	30	0.56
GE-OBT-100	10	100	145	30	0.75
GE-OBT-120	10	120	145	30	0.80
GE-OBT-150	10	150	145	30	0.90
GE-OBT-200	10	200	145	30	1.15
GE-OBT-250	10	250	145	30	1.35
GE-OBT-300	10	300	145	30	1.50

(HDG) (EG) (SS4) (SS6) (ESB) (APB)

GE-AE-9

Hanger bracket
 Askı elemanı
 Лоток при установке части



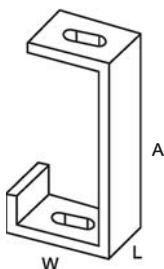
Part No	T	W	A	L	Kg
GE-AE-9-1	4	50	25	180	0.25
GE-AE-9-2	4	100	25	180	0.28
GE-AE-9-3	4	150	25	180	0.31
GE-AE-9-4	4	200	25	180	0.34

(HDG) (EG) (SS4) (SS6) (ESB) (APB)

Used as support bracket on structural concrete beams.
 Kiriş altı bağlantılarda destek konsolu olarak kullanılır.
 В балке используется при сборке

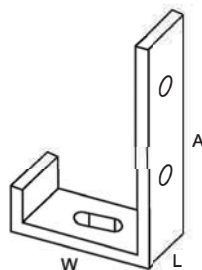
GE-CBR

Ceiling bracket
 Tavan konsolu
 Консоль



GE-WBR

Wall bracket
 Duvar konsolu
 Консоль



Part No	T	W	A	L	Kg
GE-CBR-20	5	60	100	30	0.25
GE-CBR-30	5	80	100	30	0.30
GE-CBR-50	5	110	100	30	0.35
GE-WBR-50	5	60	100	30	0.20
GE-WBR-70	5	80	100	30	0.23
GE-WBR-100	5	110	100	30	0.26
GE-WBR-150	5	160	100	30	0.32

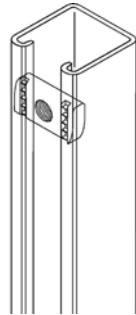
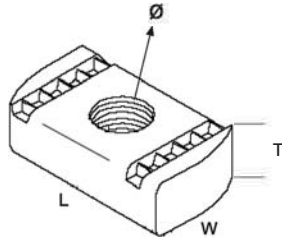
(HDG) (EG) (SS4) (SS6) (ESB) (APB)

Material options: Stainless steel AISI 304 (L) (A2) / AISI 316 (L) (A4), ST-37-42 Mild Steel, Corten A, Pregalvanized steel, Aluminum
 Finish options : Hot Dip Galvanized to EN 1461, Electrogalvanized to TS 149, Electrostatic Paint Coated, Prime coated
 See material & finish option charts for available product specific selections.

Support Systems

GE-CKSL

Short nut, springless
 Kilitli somun, yayısız
 неподдрессоренный гайка

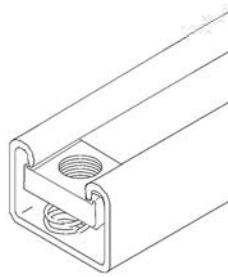
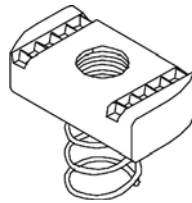


Part No	T	W	Ø	L	Kg
GE-CKSL-1	6	20	M6	35	0.027
GE-CKSL-2	6	20	M8	35	0.027
GE-CKSL-3	6	20	M10	35	0.027
GE-CKSL-4	6	20	M12	35	0.027
GE-CKSL-5	8	20	M6	35	0.037
GE-CKSL-6	8	20	M8	35	0.037
GE-CKSL-7	8	20	M10	35	0.037
GE-CKSL-8	8	20	M12	35	0.037

EG SS4 SS6

GE-CKSK

Spring nut, short
 Yaylı somun, kısa
 Весна гайка

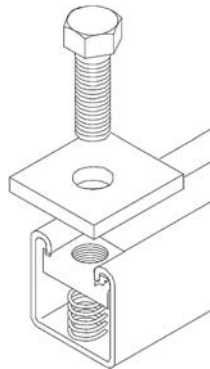
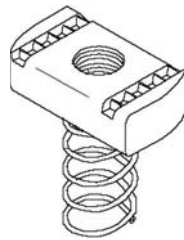


Part No	T	W	Ø	L	Kg
GE-CKSK-1	6	20	M6	35	0.030
GE-CKSK-2	6	20	M8	35	0.030
GE-CKSK-3	6	20	M10	35	0.030
GE-CKSK-4	6	20	M12	35	0.030
GE-CKSK-5	8	20	M6	35	0.040
GE-CKSK-6	8	20	M8	35	0.040
GE-CKSK-7	8	20	M10	35	0.040
GE-CKSK-8	8	20	M12	35	0.040

EG SS4 SS6

GE-CKSO

Spring nut
 Yaylı somun
 Весна гайка

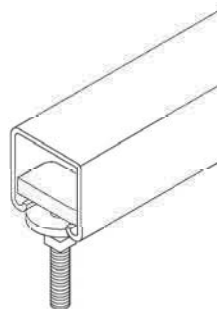
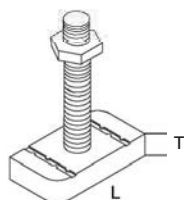


Part No	T	W	Ø	L	Kg
GE-CKSO-1	6	20	M6	35	0.035
GE-CKSO-2	6	20	M8	35	0.035
GE-CKSO-3	6	20	M10	35	0.035
GE-CKSO-4	6	20	M12	35	0.035
GE-CKSO-5	8	20	M6	35	0.045
GE-CKSO-6	8	20	M8	35	0.045
GE-CKSO-7	8	20	M10	35	0.045
GE-CKSO-8	8	20	M12	35	0.045

EG SS4 SS6

GE-CKST

T bolt
 T civata
 Болтов



Part No	T	W	Size	L	Kg
GE-CKST-6	6	20	M6x40	35	0.040
GE-CKST-8	6	20	M8x40	35	0.045
GE-CKST-10	8	20	M10x40	35	0.070
GE-CKST-12	8	20	M12x40	35	0.080

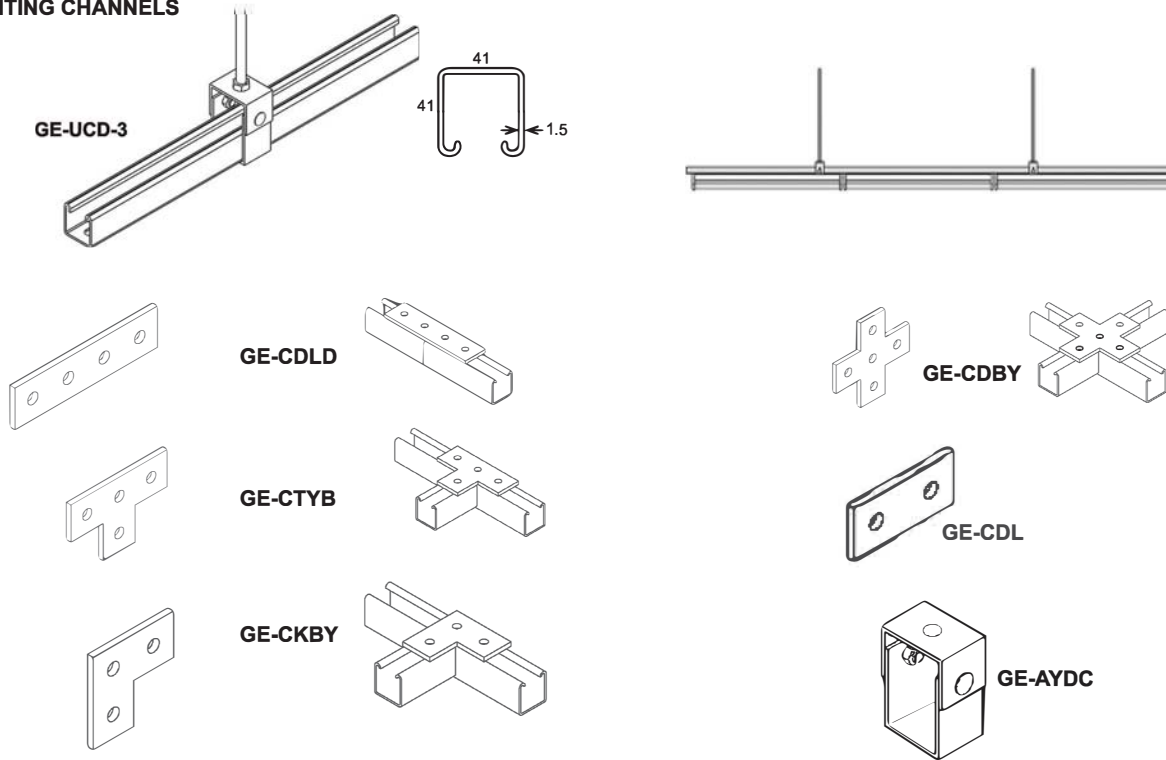
EG SS4 SS6

L : 50mm standard, also 40mm / 60mm / 70mm / 80mm upon request.

Material options: Stainless steel AISI 304 (L) (A2) / AISI 316 (L) (A4), ST-37-42 Mild Steel, Corten A, Pregalvanized steel, Aluminum
 Finish options : Hot Dip Galvanized to EN 1461, Electrogalvanized to TS 149, Electrostatic Paint Coated, Prime coated
 See material & finish option charts for available product specific selections.

Support Systems

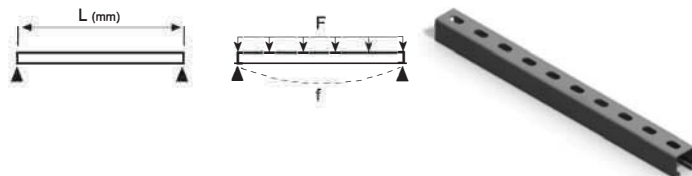
LIGHTING CHANNELS



RECOMMENDED LOADS FOR STRUT CHANNELS

Span (mm)	41x21x2.0	41x21x2.5	41x21x2.5	41x41x2.0	41x41x2.5	41x41x2.5	41x21x2.0	41x21x2.5	41x41x2.0	41x41x2.5
	Perforated	Perforated	non-perforated	Perforated	Perforated	non-perforated	Back-to-back	Back-to-back	Back-to-back	Back-to-back
500	210	250	270	640	780	825	610	750	1820	2300
750	105	120	145	430	520	555	415	500	1250	1500
1000	55	65	80	320	390	410	310	375	950	1100
1250	35	40	50	215	265	305	205	245	760	980
1500	25	30	35	150	180	210	140	170	635	750
1750	15	20	25	110	135	155	105	125	540	650
2000	15	15	20	80	100	120	80	95	475	570
2250	10	12	15	65	80	95	60	75	385	475
2500	10	10	10	55	65	75	50	60	315	385
2750	8	9	10	45	55	60	40	50	260	320
3000	7	8	8	35	45	50	35	40	215	265

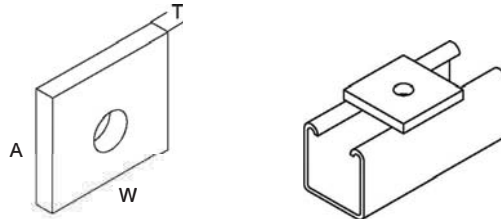
Uniformly distributed load on 2 supports
 Maximum deflection at 1/100 span
 Stress: 160 N/mm²
 Limit of elasticity: 21 kPa



Material options: Stainless steel AISI 304 (L) (A2) / AISI 316 (L) (A4), ST-37-42 Mild Steel, Corten A, Pregalvanized steel, Aluminum
 Finish options : Hot Dip Galvanized to EN 1461, Electrogalvanized to TS 149, Electrostatic Paint Coated, Prime coated
 See material & finish option charts for available product specific selections.

Support Systems

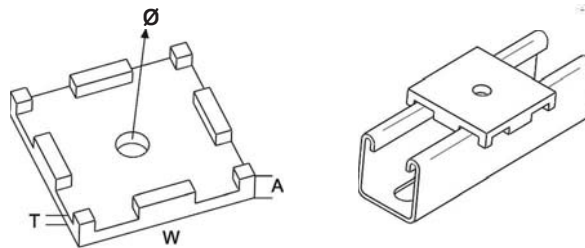
GE-CKTB



Part No	T	W	A	Kg
GE-CKTB-1	5	41	41	0.07
GE-CKTB-2	3	41	41	0.04

HDG EG SS4 SS6 ESB APB

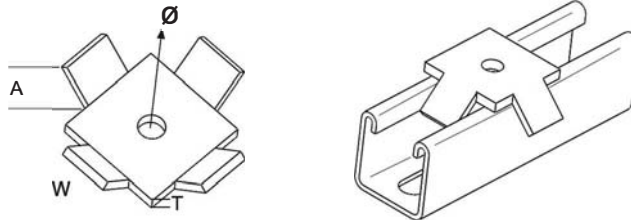
GE-CKTK-D



Part No	T	W	A	Ø	Kg
GE-CKTK-D	5	57	11	13	0.17

HDG EG SS4 SS6 ESB APB

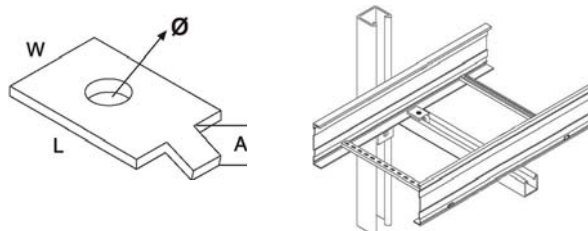
GE-CKTK-P



Part No	T	W	A	Ø	Kg
GE-CKTK-P	5	67	18	13	0.13

HDG EG SS4 SS6 ESB APB

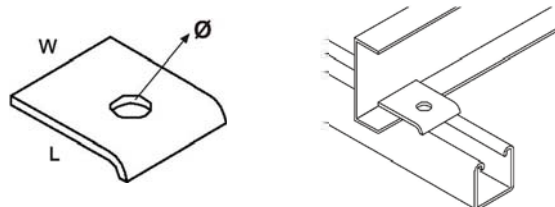
GE-CMTE



Part No	T	W	A	L	Ø	Kg
GE-CMTE	5	42	10	50	13	0.085

HDG EG SS4 SS6 ESB APB

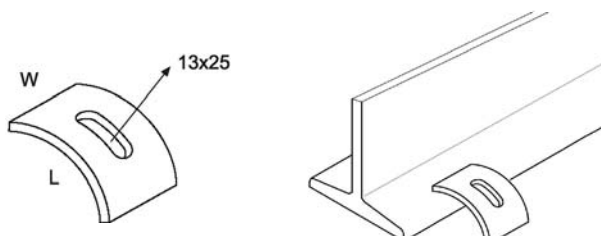
GE-CDTE



Part No	T	W	L	Ø	Kg
GE-CDTE	3	42	46	13	0.045

HDG EG SS4 SS6 ESB APB

GE-CYTE



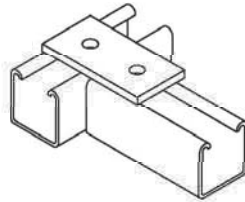
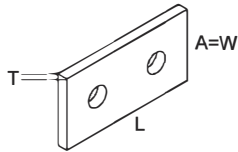
Part No	T	W	L	Kg
GE-CYTE	5	40	60	0.093

HDG EG SS4 SS6 ESB APB

Material options: Stainless steel AISI 304 (L) (A2) / AISI 316 (L) (A4), ST-37-42 Mild Steel, Corten A, Pregalvanized steel, Aluminum
 Finish options : Hot Dip Galvanized to EN 1461, Electrogalvanized to TS 149, Electrostatic Paint Coated, Prime coated
 See material & finish option charts for available product specific selections.

Support Systems

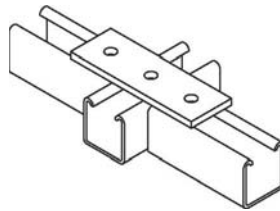
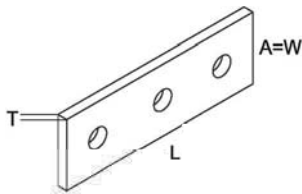
GE-CDL



Part No	T	W	A	L	Kg
GE-CDL	5	42	42	84	0.15

(HDG) (EG) (SS4) (SS6) (ESB) (APB)

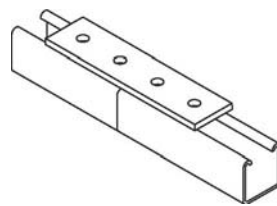
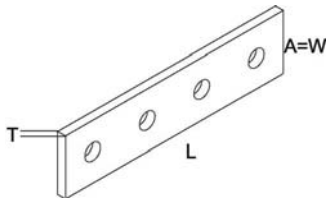
GE-CDLS



Part No	T	W	A	L	Kg
GE-CDLS	5	42	42	125	0.22

(HDG) (EG) (SS4) (SS6) (ESB) (APB)

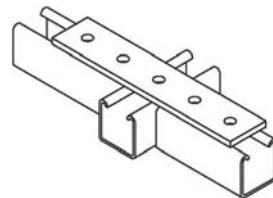
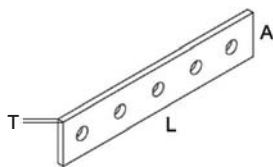
GE-CDLD



Part No	T	W	A	L	Kg
GE-CDLD	5	42	42	150	0.25

(HDG) (EG) (SS4) (SS6) (ESB) (APB)

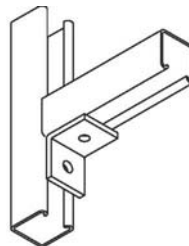
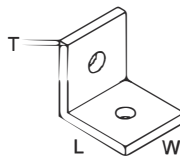
GE-CDLF



Part No	T	W	A	L	Kg
GE-CDLF	5	42	42	210	0.35

(HDG) (EG) (SS4) (SS6) (ESB) (APB)

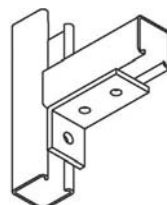
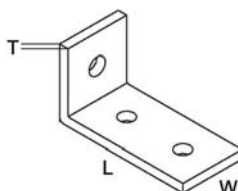
GE-CLTB



Part No	T	W	A	L	Kg
GE-CLTB	5	42	48	48	0.17

(HDG) (EG) (SS4) (SS6) (ESB) (APB)

GE-CLIT



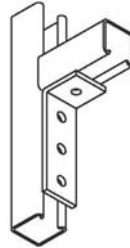
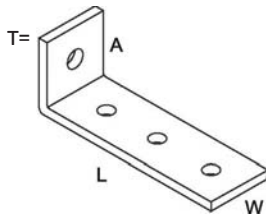
Part No	T	W	A	L	Kg
GE-CLIT	5	42	42	90	0.22

(HDG) (EG) (SS4) (SS6) (ESB) (APB)

Material options: Stainless steel AISI 304 (L) (A2) / AISI 316 (L) (A4), ST-37-42 Mild Steel, Corten A, Pregalvanized steel, Aluminum
 Finish options : Hot Dip Galvanized to EN 1461, Electrogalvanized to TS 149, Electrostatic Paint Coated, Prime coated
 See material & finish option charts for available product specific selections.

Support Systems

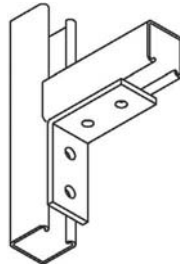
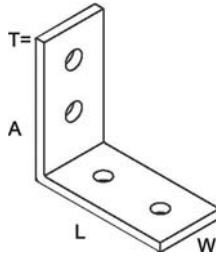
GE-CLUB



Part No	T	W	A	L	Kg
GE-CLUB	5	42	42	120	0.27

HDG EG SS4 SS6 ESB APB

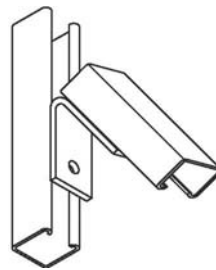
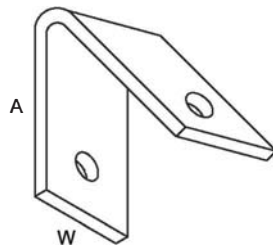
GE-CKBD



Part No	T	W	A	L	Kg
GE-CKBD	5	42	80	80	0.25

HDG EG SS4 SS6 ESB APB

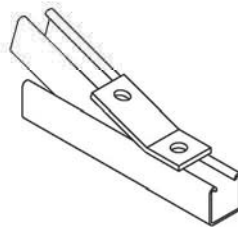
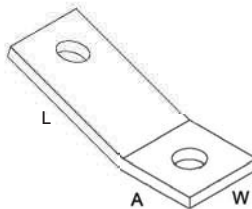
GE-CABD



Part No	T	W	A	L	Kg
GE-CABD	5	42	75	75	0.25

HDG EG SS4 SS6 ESB APB

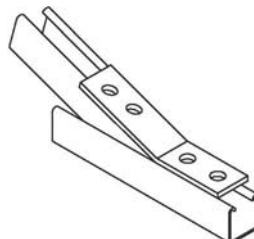
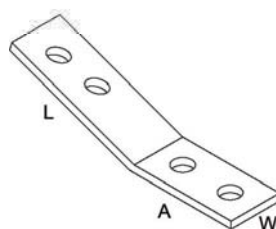
GE-CABI



Part No	T	W	L	Kg
GE-CABI	5	42	129	0.22

HDG EG SS4 SS6 ESB APB

GE-CABG



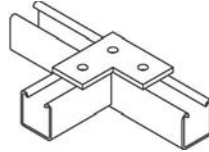
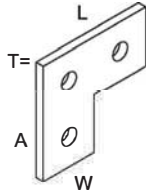
Part No	T	W	L	Kg
GE-CABG	5	42	180	0.30

HDG EG SS4 SS6 ESB APB

Material options: Stainless steel AISI 304 (L) (A2) / AISI 316 (L) (A4), ST-37-42 Mild Steel, Corten A, Pregalvanized steel, Aluminum
 Finish options : Hot Dip Galvanized to EN 1461, Electrogalvanized to TS 149, Electrostatic Paint Coated, Prime coated
 See material & finish option charts for available product specific selections.

Support Systems

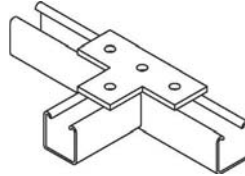
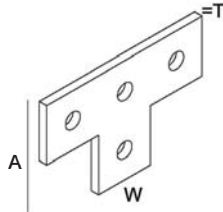
GE-CKBY



Part No	T	W	A	L	Kg
GE-CKBY	5	42	80	80	0.20

HDG EG SS4 SS6 ESB APB

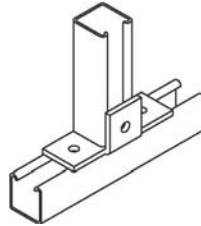
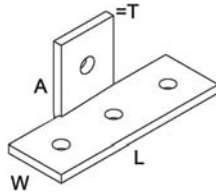
GE-CTYB



Part No	T	W	A	L	Kg
GE-CTYB	5	42	90	125	0.30

HDG EG SS4 SS6 ESB APB

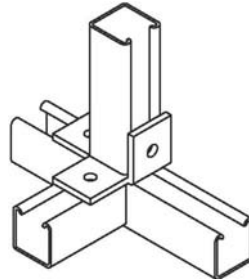
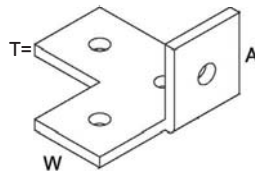
GE-CTDB



Part No	T	W	A	L	Kg
GE-CTDB	5	42	50	125	0.30

HDG EG SS4 SS6 ESB APB

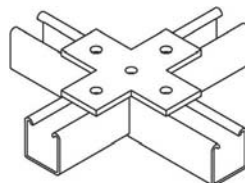
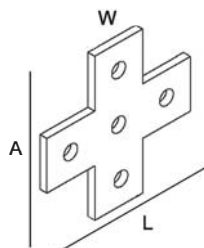
GE-CTTD



Part No	T	W	A	L	Kg
GE-CTTD	5	42	50	90	0.30

HDG EG SS4 SS6 ESB APB

GE-CDBY



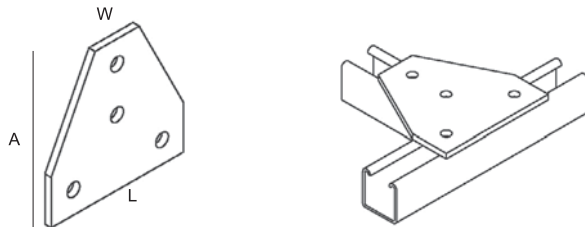
Part No	T	W	A	L	Kg
GE-CDBY	5	42	125	125	0.35

HDG EG SS4 SS6 ESB APB

Material options: Stainless steel AISI 304 (L) (A2) / AISI 316 (L) (A4), ST-37-42 Mild Steel, Corten A, Pregalvanized steel, Aluminum
 Finish options : Hot Dip Galvanized to EN 1461, Electrogalvanized to TS 149, Electrostatic Paint Coated, Prime coated
 See material & finish option charts for available product specific selections.

Support Systems

GE-CTGY



Part No	T	W	A	L	Kg
GE-CTGY	5	42	136	90	0.40

HDG EG SS4 SS6 ESB APB

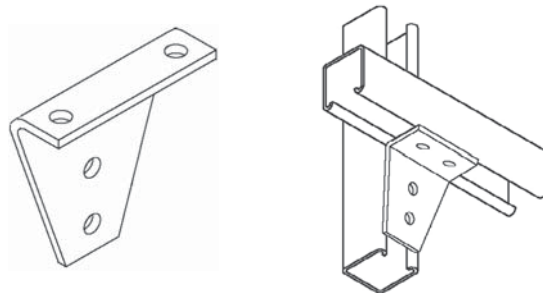
GE-CGDB



Part No	T	W	A	L	Kg
GE-CGDB	5	42	136	90	0.48

HDG EG SS4 SS6 ESB APB

GE-CUKB

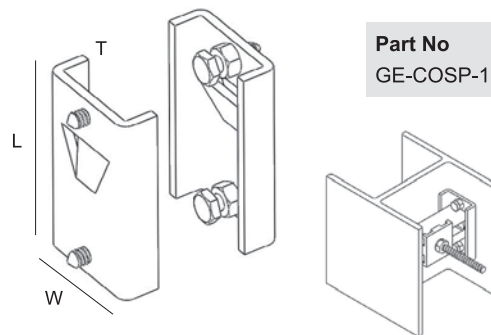


Part No	T	W	A	L	Kg
GE-CUKB	5	42	120	120	0.50

HDG EG SS4 SS6 ESB APB

GE-COSP

Channel clamping set (column support)
 Profil başlama kelepçesi
 Профиль фитинги



Part No	T	Channel type	W	L	Kg
GE-COSP-1	5	41x41x2.5mm	62	100	0.95

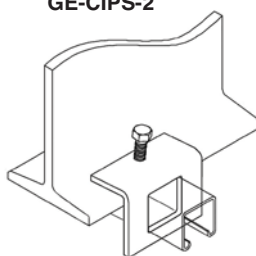
Supplied with bolts and nuts assembled.

HDG EG SS4 SS6 ESB APB

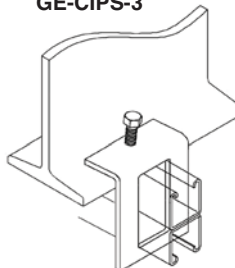
GE-CIPS-1



GE-CIPS-2



GE-CIPS-3

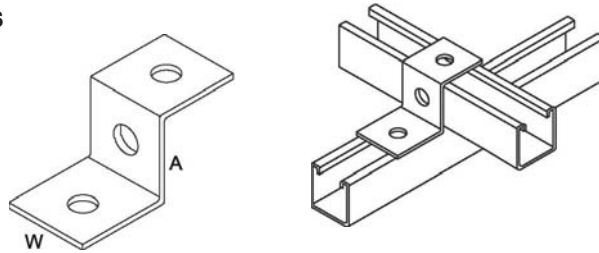


Part No	T	W	A	Kg
GE-CIPS-1	5	90	70	0,40
GE-CIPS-2	5	90	90	0,44
GE-CIPS-3	5	90	131	0,44

Material options: Stainless steel AISI 304 (L) (A2) / AISI 316 (L) (A4), ST-37-42 Mild Steel, Corten A, Pregalvanized steel, Aluminum
 Finish options : Hot Dip Galvanized to EN 1461, Electrogalvanized to TS 149, Electrostatic Paint Coated, Prime coated
 See material & finish option charts for available product specific selections.

Support Systems

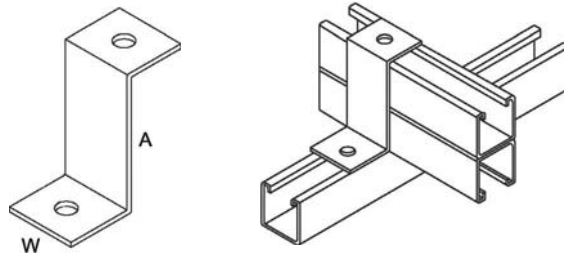
GE-CZBS



Part No	T	W	A	L	Kg
GE-CZBS	5	42	46	94	0.22

HDG EG SS4 SS6 ESB APB

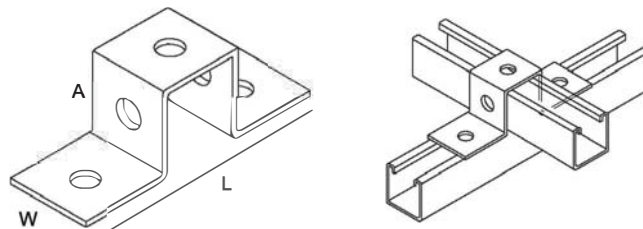
GE-CZBD



Part No	T	W	A	L	Kg
GE-CZBD	5	42	87	94	0.28

HDG EG SS4 SS6 ESB APB

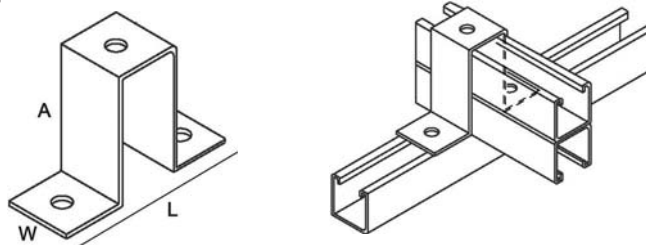
GE-COTB



Part No	T	W	A	L	Kg
GE-COTB	5	42	46	130	0.36

HDG EG SS4 SS6 ESB APB

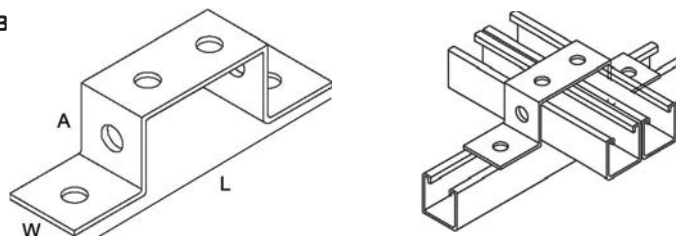
GE-COCB



Part No	T	W	A	L	Kg
GE-COCB	5	42	87	136	0.50

HDG EG SS4 SS6 ESB APB

GE-COGB



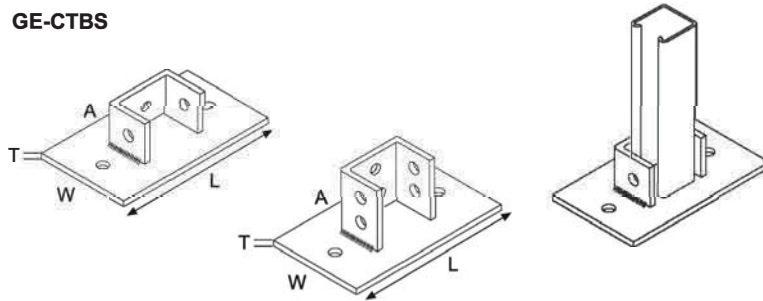
Part No	T	W	A	L	Kg
GE-COGB	5	42	46	172	0.43

HDG EG SS4 SS6 ESB APB

Material options: Stainless steel AISI 304 (L) (A2) / AISI 316 (L) (A4), ST-37-42 Mild Steel, Corten A, Pregalvanized steel, Aluminum
 Finish options : Hot Dip Galvanized to EN 1461, Electrogalvanized to TS 149, Electrostatic Paint Coated, Prime coated
 See material & finish option charts for available product specific selections.

Support Systems

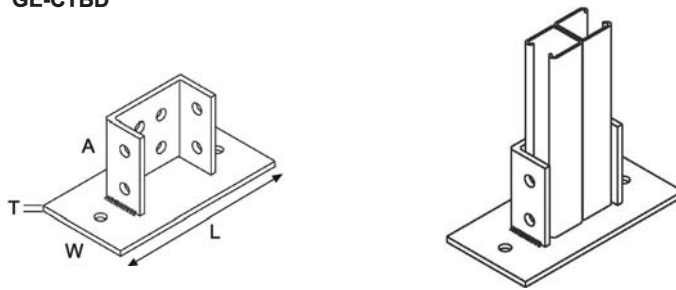
GE-CTBS



Part No	T	W	A	L	Kg
GE-CTBS-1	5	100	40	140	0.76
GE-CTBS-2	5	100	89	160	1.11

HDG EG SS4 SS6 ESB APB

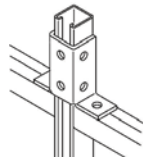
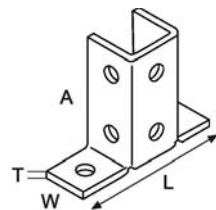
GE-CTBD



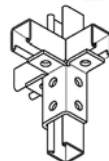
Part No	T	W	A	L	Kg
GE-CTBD	5	100	100	200	1.50

HDG EG SS4 SS6 ESB APB

GE-CTIB



GE-CTIB-1

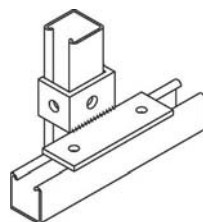
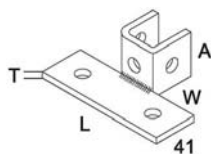


GE-CTIB-2

Part No	T	W	A	L	Kg
GE-CTIB-1	5	41	98	137	0.60
GE-CTIB-2	5	41	98	137	0.70

HDG EG SS4 SS6 ESB APB

GE-CKBP



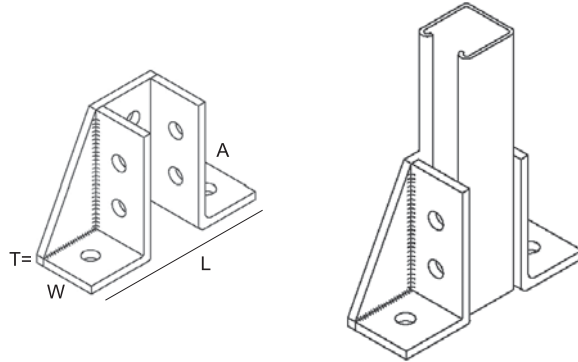
Part No	T	W	A	L	Kg
GE-CKBP	5	47	41	126	0.45

HDG EG SS4 SS6 ESB APB

Material options: Stainless steel AISI 304 (L) (A2) / AISI 316 (L) (A4), ST-37-42 Mild Steel, Corten A, Pregalvanized steel, Aluminum
 Finish options : Hot Dip Galvanized to EN 1461, Electrogalvanized to TS 149, Electrostatic Paint Coated, Prime coated
 See material & finish option charts for available product specific selections.

Support Systems

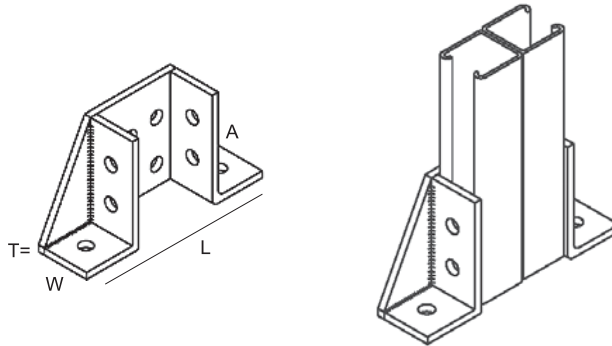
GE-CTDK



Part No	T	W	A	L	Kg
GE-CTDK	5	48	120	146	1.10

HDG EG SS4 SS6 ESB APB

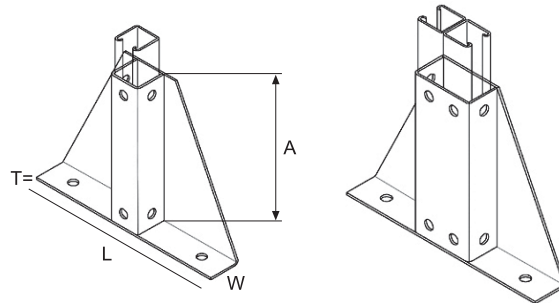
GE-CTBK



Part No	T	W	A	L	Kg
GE-CTBK	5	48	120	187	1.20

HDG EG SS4 SS6 ESB APB

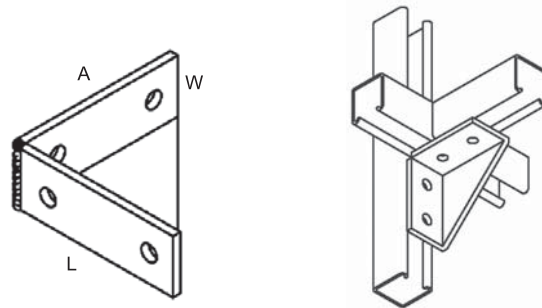
GE-CTTK



Part No	T	W	A	L	Kg
GE-CTTK-1	3	49	200	300	1.10
GE-CTTK-2	3	90	200	300	1.90

HDG EG SS4 SS6 ESB APB

GE-CKKB



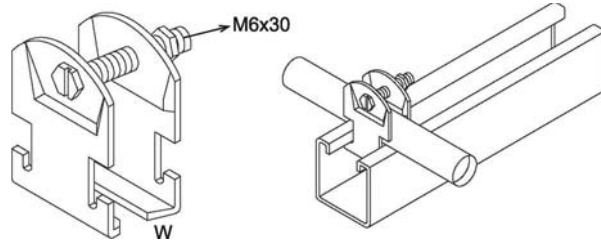
Part No	T	W	A	L	Kg
GE-CKKB	5	42	102	102	0.52

HDG EG SS4 SS6 ESB APB

Material options: Stainless steel AISI 304 (L) (A2) / AISI 316 (L) (A4), ST-37-42 Mild Steel, Corten A, Pregalvanized steel, Aluminum
 Finish options : Hot Dip Galvanized to EN 1461, Electrogalvanized to TS 149, Electrostatic Paint Coated, Prime coated
 See material & finish option charts for available product specific selections.

Support Systems

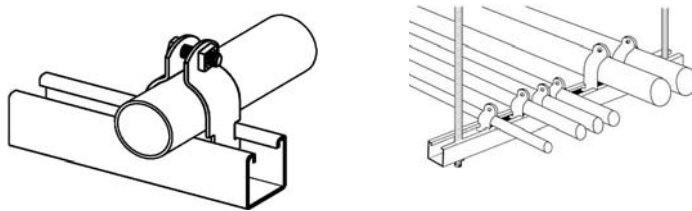
GE-CBTE



Part No	T	W	A	L	Kg
GE-CBTE-1	1.5	1/2"	-	-	0.04
GE-CBTE-2	1.5	3/4"	-	-	0.05
GE-CBTE-3	1.5	1"	-	-	0.05

HDG EG SS4 SS6 ESB APB

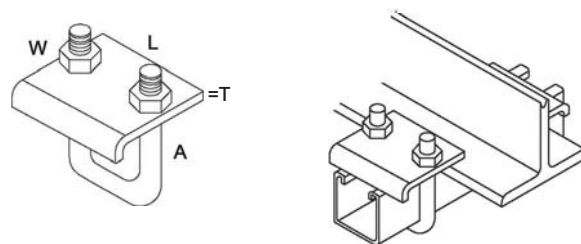
GE-CSKR



Part No	T	W	A	L	Kg
GE-CSKR-1	1.5	1/2"	-	-	0.04
GE-CSKR-2	1.5	3/4"	-	-	0.05
GE-CSKR-3	1.5	1"	-	-	0.05
GE-CSKR-4	1.5	1 1/2"	-	-	0.06

HDG EG SS4 SS6 ESB APB

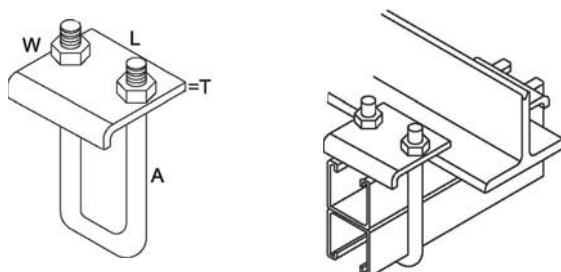
GE-CIBS



Part No	T	W	A	L	Kg
GE-CIBS	5	60	90	75	0.35

HDG EG SS4 SS6 ESB APB

GE-CIBD



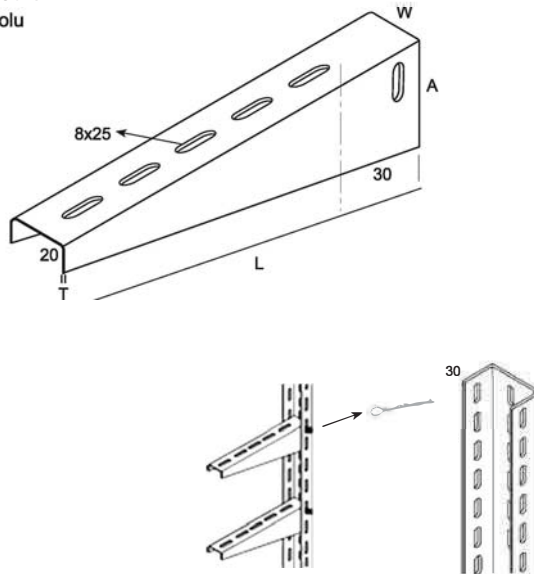
Part No	T	W	A	L	Kg
GE-CIBD	5	60	125	75	0.38

HDG EG SS4 SS6 ESB APB

Material options: Stainless steel AISI 304 (L) (A2) / AISI 316 (L) (A4), ST-37-42 Mild Steel, Corten A, Pregalvanized steel, Aluminum
 Finish options : Hot Dip Galvanized to EN 1461, Electrogalvanized to TS 149, Electrostatic Paint Coated, Prime coated
 See material & finish option charts for available product specific selections.

Support Systems

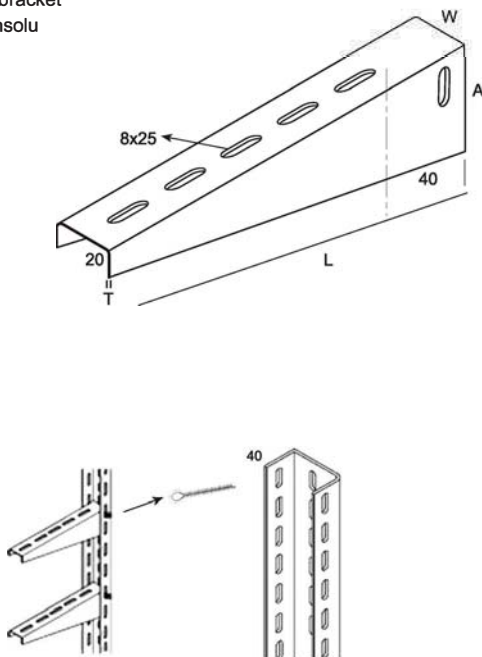
GE-KA
 Hanger bracket
 Askı konsolu
 Консоль



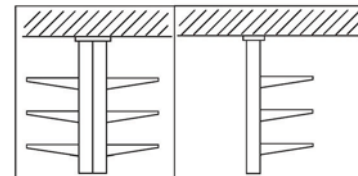
Part No	T	W	A	L	Kg
GE-KA-5	1.5	40	60	80	0.11
GE-KA-7	1.5	40	60	100	0.14
GE-KA-10	1.5	40	60	130	0.18
GE-KA-12	1.5	40	60	150	0.22
GE-KA-15	1.5	40	60	180	0.25
GE-KA-20	1.5	40	60	230	0.32
GE-KA-22	1.5	40	60	255	0.35
GE-KA-25	1.5	40	60	280	0.38
GE-KA-30	1.5	40	60	330	0.45
GE-KA-40	2.0	40	75	440	0.86
GE-KA-45	2.0	40	75	480	0.96
GE-KA-50	2.0	40	75	530	1.06
GE-KA-60	2.0	40	75	630	1.20
GE-KA-75	2.0	40	75	780	1.56
GE-KA-90	2.0	40	75	930	1.86

(HDG) (PG) (EG) (SS4) (SS6) (ESB) (APB)

GE-KAA
 Hanger bracket
 Askı konsolu
 Консоль



Part No	T	W	A	L	Kg
GE-KAA-10	1.5	50	60	140	0.21
GE-KAA-15	1.5	50	60	190	0.28
GE-KAA-20	1.5	50	60	240	0.36
GE-KAA-22	1.5	50	60	265	0.40
GE-KAA-30	2.0	50	75	340	0.75
GE-KAA-40	2.0	50	75	440	0.98
GE-KAA-45	2.0	50	75	490	1.10
GE-KAA-50	2.5	50	90	540	1.64
GE-KAA-60	2.5	50	90	640	1.95
GE-KAA-75	3.0	50	90	790	2.85
GE-KAA-90	3.0	50	90	940	3.40



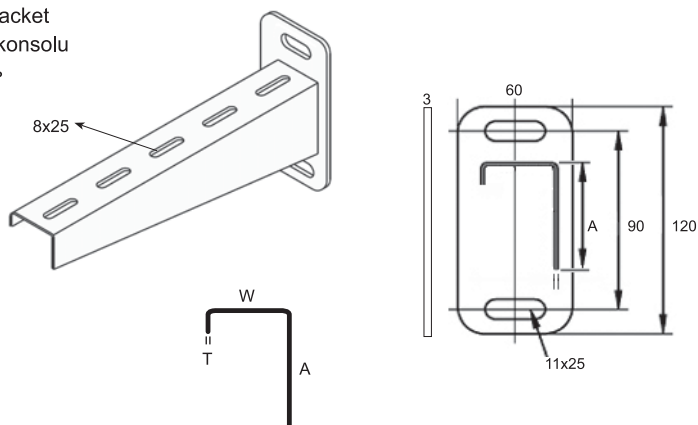
(HDG) (PG) (EG) (SS4) (SS6) (ESB) (APB)

Material options: Stainless steel AISI 304 (L) (A2) / AISI 316 (L) (A4), ST-37-42 Mild Steel, Corten A, Pregalvanized steel, Aluminum
 Finish options : Hot Dip Galvanized to EN 1461, Electrogalvanized to TS 149, Electrostatic Paint Coated, Prime coated
 See material & finish option charts for available product specific selections.

Support Systems

GE-KD

Wall bracket
 Duvar konsolu
 Консоль

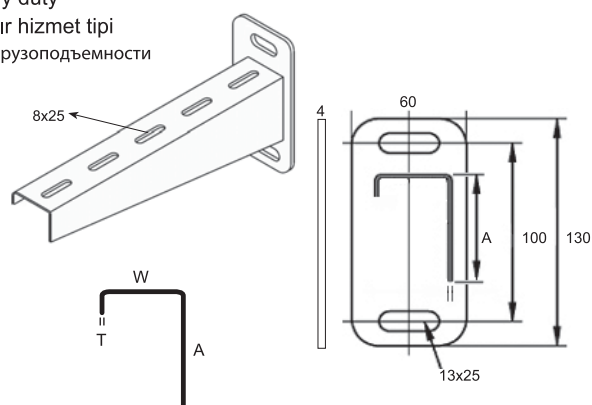


Part No	T	W	A	L	Kg
GE-KD-5	1.5	40	50	60	0.23
GE-KD-7	1.5	40	50	80	0.25
GE-KD-10	1.5	40	50	110	0.28
GE-KD-12	1.5	40	50	130	0.30
GE-KD-15	1.5	40	50	160	0.34
GE-KD-20	1.5	40	50	210	0.39
GE-KD-22	1.5	40	50	235	0.42
GE-KD-25	1.5	40	50	260	0.45
GE-KD-30	1.5	40	50	310	0.50
GE-KD-40	2.0	40	60	410	0.89
GE-KD-45	2.0	40	60	460	0.97
GE-KD-50	2.0	40	60	510	1.05
GE-KD-60	2.0	40	60	610	1.21

HDG EG SS4 SS6 ESB APB

GE-KDA

Wall bracket, heavy duty
 Duvar konsolu, ağır hizmet tipi
 Консоль , большой грузоподъемности

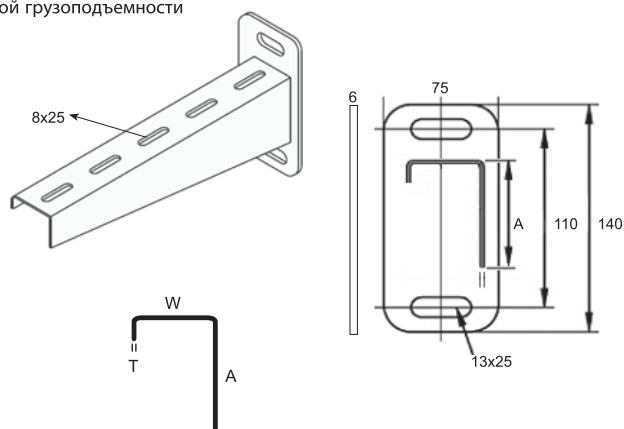


Part No	T	W	A	L	Kg
GE-KDA-10	2	40	60	110	0.41
GE-KDA-15	2	40	60	160	0.48
GE-KDA-20	2	40	60	210	0.55
GE-KDA-22	2	40	60	235	0.59
GE-KDA-25	2	40	60	260	0.63
GE-KDA-30	2	40	60	310	0.68
GE-KDA-40	2.5	50	60	410	1.15
GE-KDA-45	2.5	50	60	460	1.26
GE-KDA-50	2.5	50	60	510	1.37
GE-KDA-60	3	50	70	610	1.80
GE-KDA-75	3	50	70	760	2.15
GE-KDA-90	3	50	70	910	2.54

HDG EG SS4 SS6 ESB APB

GE-KDEA

Wall bracket, extra heavy duty
 Duvar konsolu, ekstra ağır hizmet tipi
 Консоль , большой грузоподъемности



Part No	T	W	A	L	Kg
GE-KDEA-10	2	40	60	110	0.66
GE-KDEA-15	2	40	60	160	0.73
GE-KDEA-20	2	40	60	210	0.80
GE-KDEA-22	2	40	60	235	0.84
GE-KDEA-25	2	40	60	260	0.88
GE-KDEA-30	2	40	60	310	0.93
GE-KDEA-40	2.5	50	60	410	1.40
GE-KDEA-45	2.5	50	60	460	1.51
GE-KDEA-50	2.5	50	60	510	1.62
GE-KDEA-60	3	50	70	610	2.05
GE-KDEA-75	3	50	70	760	2.40
GE-KDEA-90	3	50	70	910	2.79

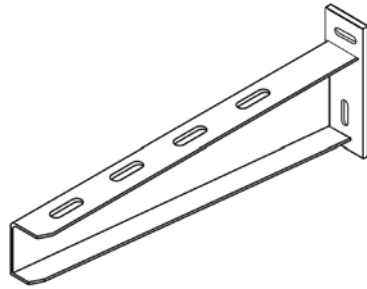
HDG EG SS4 SS6 ESB APB

Material options: Stainless steel AISI 304 (L) (A2) / AISI 316 (L) (A4), ST-37-42 Mild Steel, Corten A, Pregalvanized steel, Aluminum
 Finish options : Hot Dip Galvanized to EN 1461, Electrogalvanized to TS 149, Electrostatic Paint Coated, Prime coated
 See material & finish option charts for available product specific selections.

Support Systems

GE-KDI

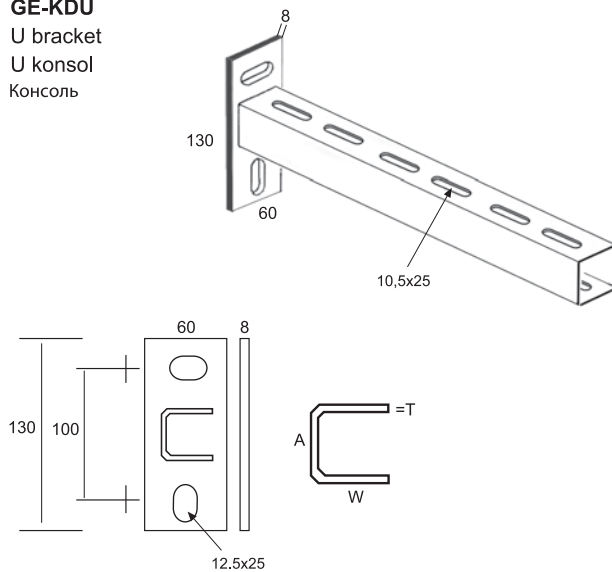
Bracket
Konsol
Консоль



Part No	T	L	Kg
GE-KPI-10	2	120	0.45
GE-KPI-15	2	170	0.60
GE-KPI-20	3	220	0.80
GE-KPI-25	3	270	0.95
GE-KPI-30	3	320	1.10
GE-KPI-40	3	420	1.30
GE-KPI-45	3	470	1.40
GE-KPI-50	3	520	1.65
GE-KPI-60	3	620	1.90
GE-KPI-75	3	770	2.25
GE-KPI-90	3	920	2.65

GE-KDU

U bracket
U konsol
Консоль



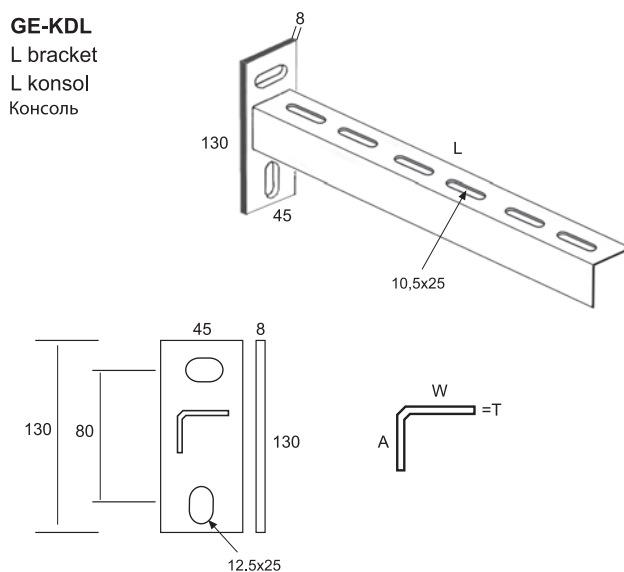
Part No	T	W	A	L	Kg
GE-KDU-1	2	30	30	110	0.63
GE-KDU-2	2	30	30	210	0.76
GE-KDU-3	2	30	30	310	0.89
GE-KDU-4	2	30	30	410	1.00
GE-KDU-5	2	30	30	510	1.15
GE-KDU-6	2	30	30	610	1.28
GE-KDU-7	2	30	30	760	1.48
GE-KDU-8	2	30	30	910	1.67
GE-KDU-9	3	40	40	110	0.76
GE-KDU-10	3	40	40	210	1.00
GE-KDU-11	3	40	40	310	1.28
GE-KDU-12	3	40	40	410	1.54
GE-KDU-13	3	40	40	510	1.80
GE-KDU-14	3	40	40	610	2.00
GE-KDU-15	3	40	40	760	2.40
GE-KDU-16	3	40	40	910	2.85
GE-KDU-17	3	40	40	1210	3.60

For HVAC installations

HDG **EG** **SS4** **SS6** **ESB** **APB**

GE-KDL

L bracket
L konsol
Консоль



Part No	T	W	A	L	Kg
GE-KDL-1	2	30	30	110	0.55
GE-KDL-2	2	30	30	210	0.65
GE-KDL-3	2	30	30	310	0.74
GE-KDL-4	2	30	30	410	0.82
GE-KDL-5	2	30	30	510	0.91
GE-KDL-6	3	40	40	610	0.55
GE-KDL-7	3	40	40	760	0.72
GE-KDL-8	3	40	40	910	0.90
GE-KDL-9	3	40	40	110	1.07
GE-KDL-10	3	40	40	210	1.25
GE-KDL-11	3	40	40	310	1.43
GE-KDL-12	3	40	40	410	1.70
GE-KDL-13	3	40	40	510	1.95
GE-KDL-14	3	40	40	610	2.48

HDG **EG** **SS4** **SS6** **ESB** **APB**

Material options: Stainless steel AISI 304 (L) (A2) / AISI 316 (L) (A4), ST-37-42 Mild Steel, Corten A, Pregalvanized steel, Aluminum
 Finish options : Hot Dip Galvanized to EN 1461, Electrogalvanized to TS 149, Electrostatic Paint Coated, Prime coated
 See material & finish option charts for available product specific selections.

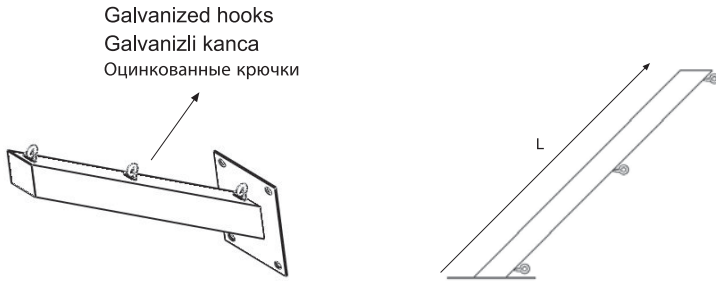
Support Systems

GE-CIK

Fence bracket

Çit konsolu

Кронштейн для провода ограждения



Part No	L
GE-CIK-20	200
GE-CIK-30	300
GE-CIK-40	400
GE-CIK-50	500
GE-CIK-60	600

HDG EG SS4 SS6 ESB APB

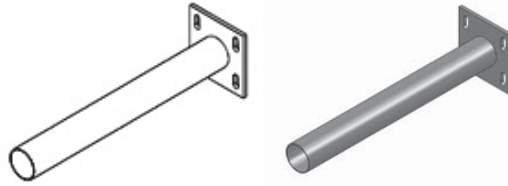
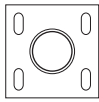
Custom production available upon request.
 İsteğe göre diğer ölçülerde üretim yapılır.
 Возможно изготовление продукции на заказ.

GE-KBT

Tubular bracket

Boru tipi konsol

Консоль



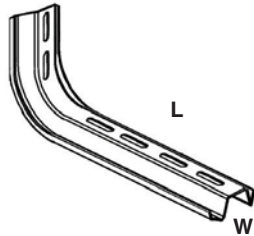
Tubular bracket with
welded base plate.

Part No	L
GE-KBT-20	200
GE-KBT-30	300
GE-KBT-40	400
GE-KBT-50	500
GE-KBT-60	600

EG SS4 SS6 ESB APB

Custom production available upon request.
 İsteğe göre diğer ölçülerde üretim yapılır.
 Возможно изготовление продукции на заказ.

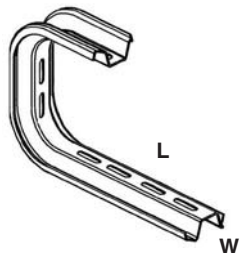
GE-KTL



Part No	T	W	L	Kg
GE-KTL-10	2	67	130	0,40
GE-KTL-20	2	67	230	0,55
GE-KTL-30	2	67	330	0,70
GE-KTL-40	2	67	430	0,85

SS4 SS6 HDG PG

GE-KTD



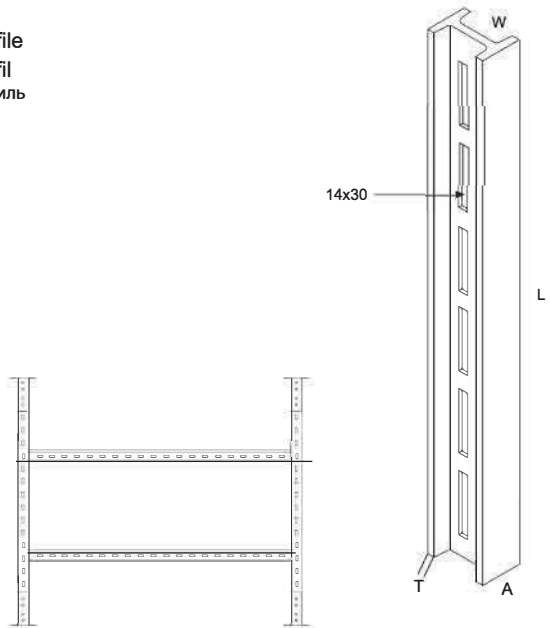
Part No	T	W	L	Kg
GE-KTD-10	2	67	130	0,45
GE-KTD-20	2	67	230	0,60
GE-KTD-30	2	67	330	0,75
GE-KTD-40	2	67	430	0,90

SS4 SS6 HDG PG

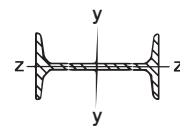
Material options: Stainless steel AISI 304 (L) (A2) / AISI 316 (L) (A4), ST-37-42 Mild Steel, Corten A, Pregalvanized steel, Aluminum
 Finish options : Hot Dip Galvanized to EN 1461, Electrogalvanized to TS 149, Electrostatic Paint Coated, Prime coated
 See material & finish option charts for available product specific selections.

Support Systems

GE-I
 I Profile
 I Profil
 Профиль



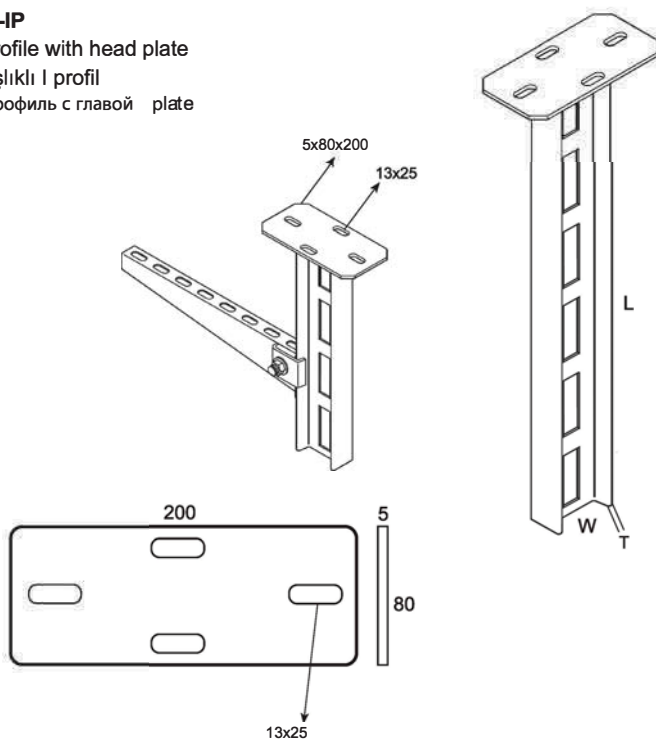
Part No	T	W	A	L	Kg
GE-I-20	4	80	40	200	1.15
GE-I-30	4	80	40	300	1.70
GE-I-40	4	80	40	400	2.30
GE-I-50	4	80	40	500	2.85
GE-I-60	4	80	40	600	3.45
GE-I-70	4	80	40	700	4.00
GE-I-80	4	80	40	800	4.60
GE-I-90	4	80	40	900	5.15
GE-I-100	4	80	40	1000	5.70
GE-I-150	4	80	40	1500	8.55
GE-I-200	4	80	40	2000	11.45
GE-I-300	4	80	40	3000	17.10
GE-I-600	4	80	40	6000	34.20



A_q cm ²	W_y cm ³	W_z cm ³
6.70	19.5	3.0

HDG EG SS4 SS6 ESB APB

GE-IP
 I Profile with head plate
 Başlıklı I profil
 Я профиль с главой plate



Part No	T	W	A	L	Kg
GE-IP-20	4	80	40	200	1.75
GE-IP-30	4	80	40	300	2.30
GE-IP-40	4	80	40	400	2.90
GE-IP-50	4	80	40	500	3.45
GE-IP-60	4	80	40	600	4.05
GE-IP-70	4	80	40	700	4.60
GE-IP-80	4	80	40	800	5.20
GE-IP-90	4	80	40	900	5.75
GE-IP-100	4	80	40	1000	6.30
GE-IP-150	4	80	40	1500	9.15
GE-IP-200	4	80	40	2000	12.05
GE-IP-300	4	80	40	3000	17.70

HDG EG SS4 SS6 ESB APB



GE-IPS
 I Profile end cap, PVC
 I Profil Sonlandırma

Material options: Stainless steel AISI 304 (L) (A2) / AISI 316 (L) (A4), ST-37-42 Mild Steel, Corten A, Pregalvanized steel, Aluminum
 Finish options : Hot Dip Galvanized to EN 1461, Electrogalvanized to TS 149, Electrostatic Paint Coated, Prime coated
 See material & finish option charts for available product specific selections.

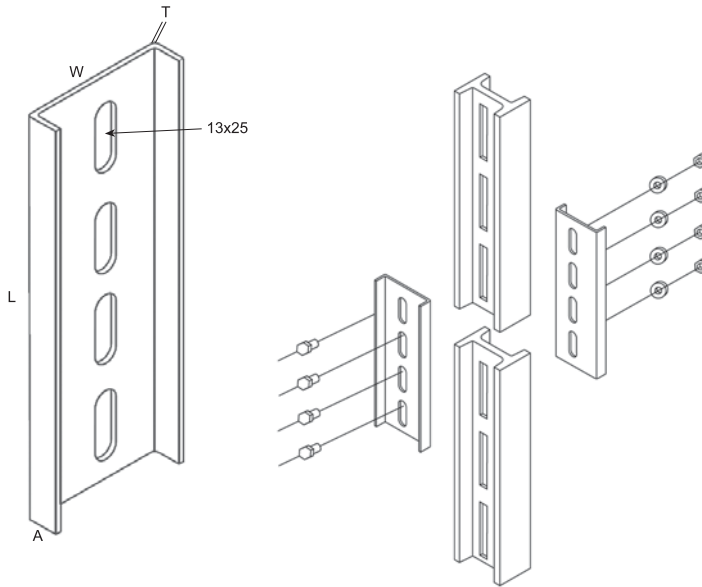
Support Systems

GE-IEK

I beam connector
 I profil (NP) ek elemanı
 Профиль разъем

Part No	T	W	A	L	Kg
GE-IEK	3	65	17	220	0,52

HDG EG SS4 SS6 ESB APB



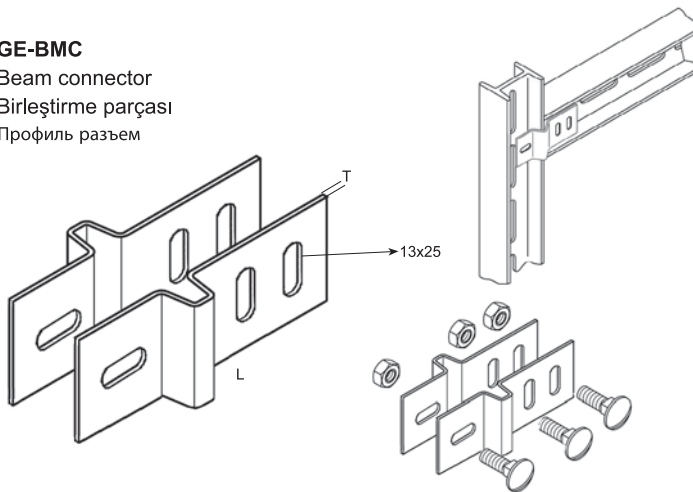
Used for vertical installations.
 Dikey bağlantı parçasıdır.
 Используется для вертикального соединения

GE-BMC

Beam connector
 Birleştirme parçası
 Профиль разъем

Part No	T	L	Kg
GE-BMC-1	4	200	0,85

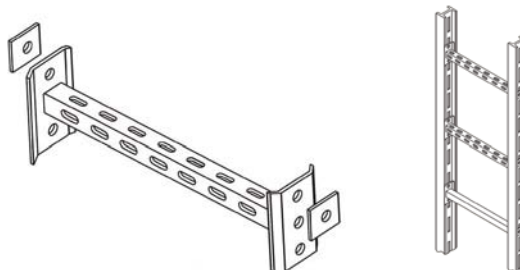
HDG EG SS4 SS6 ESB APB



Used for horizontal installations.
 Yatay bağlantı parçasıdır.
 Используется для вертикального соединения

GE-IRUNG

Modüler rung for I beam
 Modüler basama



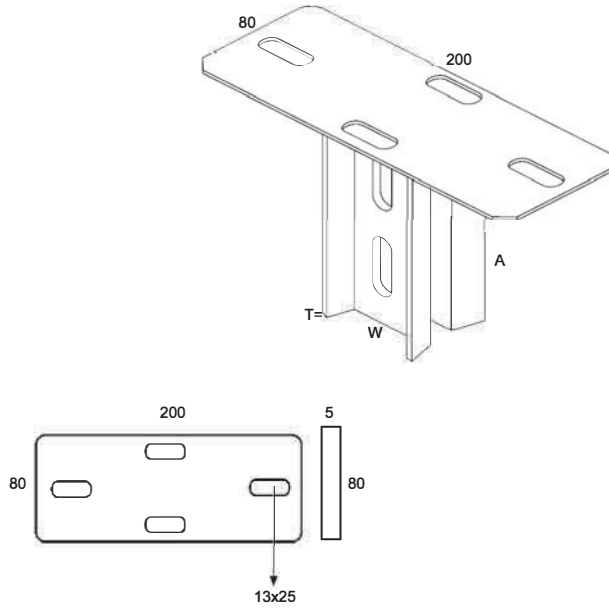
Material options: Stainless steel AISI 304 (L) (A2) / AISI 316 (L) (A4), ST-37-42 Mild Steel, Corten A, Pregalvanized steel, Aluminum
 Finish options : Hot Dip Galvanized to EN 1461, Electrogalvanized to TS 149, Electrostatic Paint Coated, Prime coated
 See material & finish option charts for available product specific selections.

Support Systems

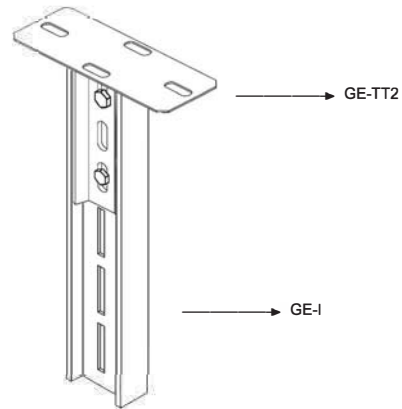
GE-TT2
 Ceiling bracket
 Tavan tespiti
 Кронштейн для потолка

Part No	T	W	A	L	Kg
GE-TT2	3	65	150	-	1.20

HDG **EG** **SS4** **SS6** **ESB** **APB**



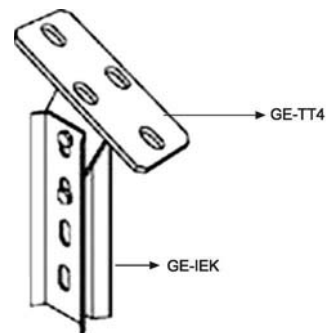
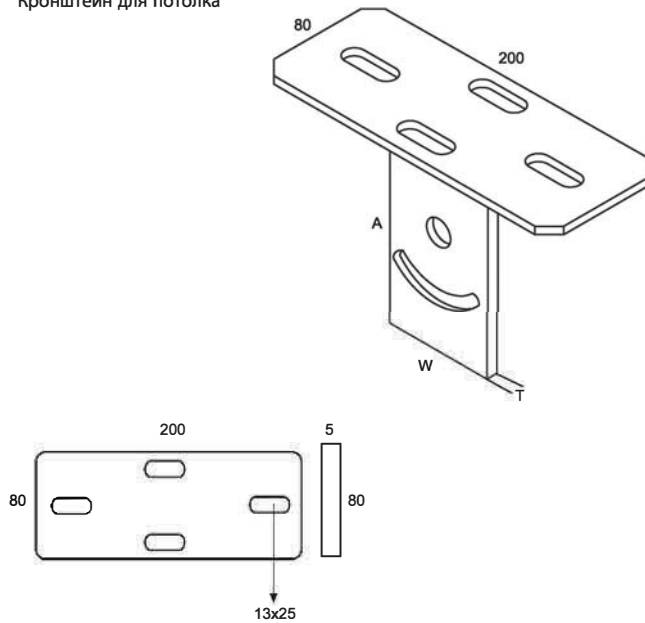
Straight assembly
 Dik montaj
 Угол свободных собраний



GE-TT4
 Ceiling bracket
 Tavan tespiti
 Кронштейн для потолка

Part No	T	W	A	L	Kg
GE-TT4-1	3	100	100	-	0.82

HDG **EG** **SS4** **SS6** **ESB** **APB**

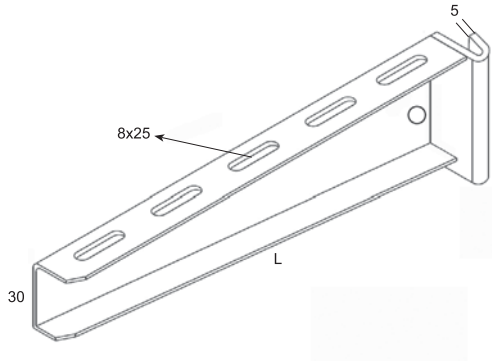


Angular assembly
 Açılı montaj
 Угловое собраний

Material options: Stainless steel AISI 304 (L) (A2) / AISI 316 (L) (A4), ST-37-42 Mild Steel, Corten A, Pregalvanized steel, Aluminum
 Finish options : Hot Dip Galvanized to EN 1461, Electrogalvanized to TS 149, Electrostatic Paint Coated, Prime coated
 See material & finish option charts for available product specific selections.

Support Systems

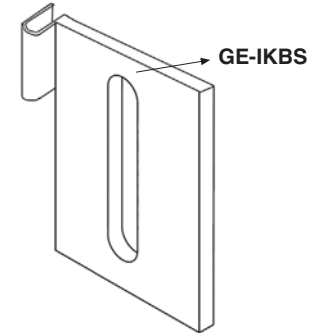
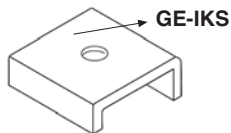
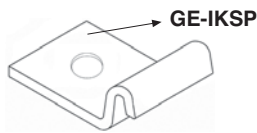
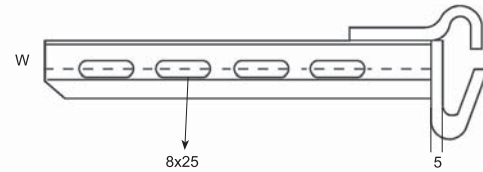
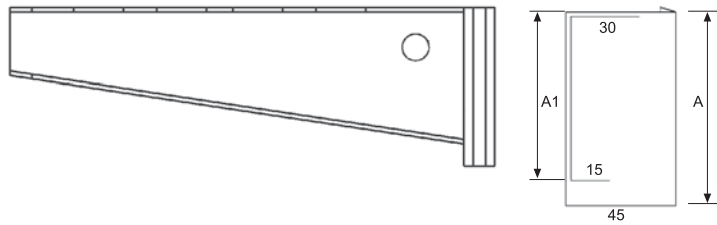
GE-İK
 I bracket
 I konsolu
 Консоль



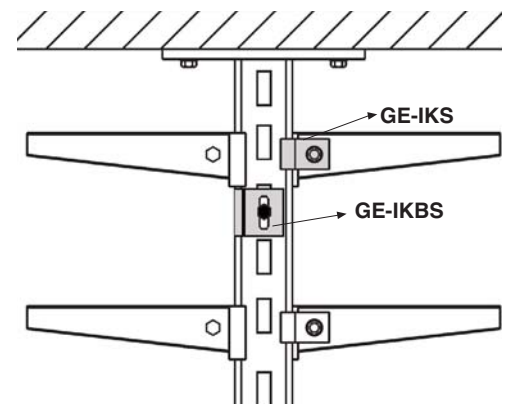
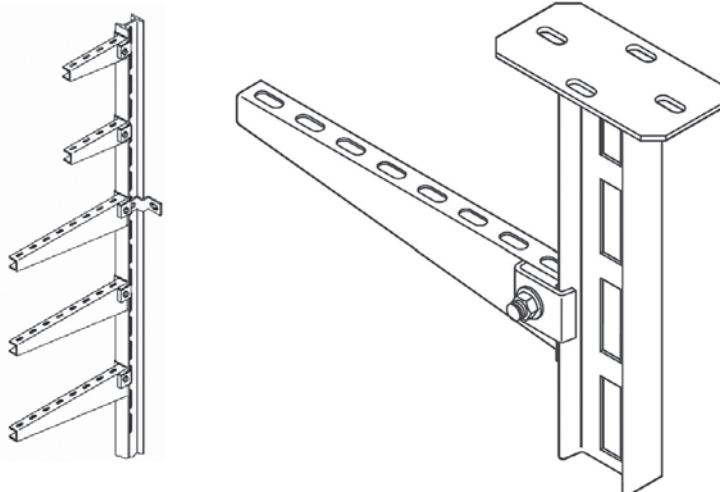
Part No	T	W	A1	A	L	Kg
GE-İK-10	3	30	65	70	100	0.60
GE-İK-15	3	30	65	70	150	0.70
GE-İK-20	3	30	65	70	200	0.80
GE-İK-22	3	30	65	70	225	0.90
GE-İK-30	3	30	65	70	300	1.10
GE-İK-40	3	30	65	70	400	1.30
GE-İK-45	3	30	65	70	450	1.40
GE-İK-50	3	30	80	85	500	1.64
GE-İK-60	3	30	80	85	600	1.90
GE-İK-75	3	30	80	85	750	2.26
GE-İK-90	3	30	80	85	900	2.64

I bracket supplied with fastening set.
 I konsol sıkma parçasıyla birlikte teslim edilir.
 Кронштейн крепления поставляются с аксессуарами.

HDG EG SS4 SS6 ESB APB



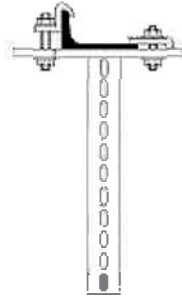
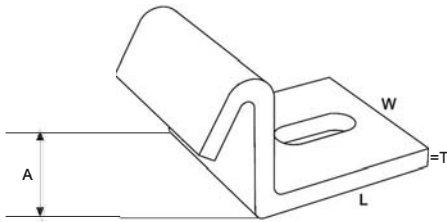
Used to secure I bracket to I beam.
 I demirine I konsolunu monte etmek için kullanılır.
 Используется для крепления кронштейна к профилю.



Material options: Stainless steel AISI 304 (L) (A2) / AISI 316 (L) (A4), ST-37-42 Mild Steel, Corten A, Pregalvanized steel, Aluminum
 Finish options : Hot Dip Galvanized to EN 1461, Electrogalvanized to TS 149, Electrostatic Paint Coated, Prime coated
 See material & finish option charts for available product specific selections.

Support Systems

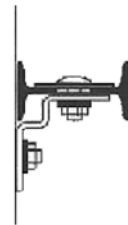
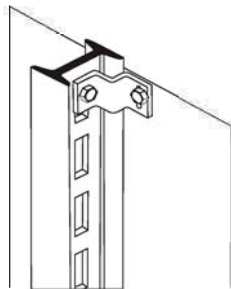
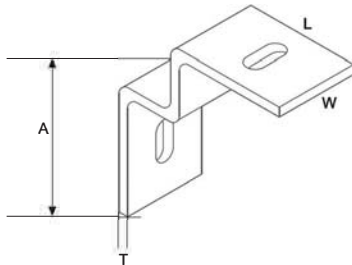
GE-ITP-A
 Fixing clamp
 Tespit kelepçesi
 Фиксация зажим



Part No	T	W	A	L	Kg
GE-ITP-A	5	50	34	40	0,27

HDG EG SS4 SS6 ESB APB

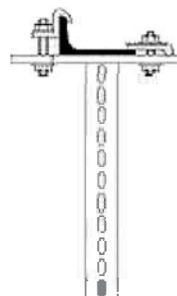
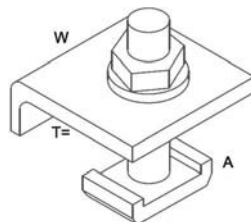
GE-ITP-B
 Fixing clamp
 Tespit kelepçesi
 Фиксация зажим



Part No	T	W	A	L	Kg
GE-ITP-B	5	50	75	45	0,35

HDG EG SS4 SS6 ESB APB

GE-ITP-C
 Fixing clamp
 Tespit kelepçesi
 Фиксация зажим



Part No	T	W	A	L	Kg
GE-ITP-C-1	6	50	5	60	0,16
GE-ITP-C-2	6	50	10	60	0,21
GE-ITP-C-3	6	50	15	60	0,22
GE-ITP-C-4	6	50	20	60	0,25
GE-ITP-C-5	6	50	25	60	0,27

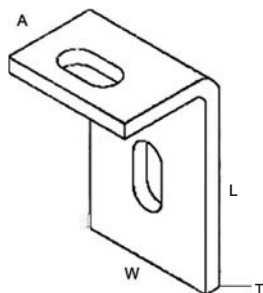
HDG EG SS4 SS6 ESB APB

Material options: Stainless steel AISI 304 (L) (A2) / AISI 316 (L) (A4), ST-37-42 Mild Steel, Corten A, Pregalvanized steel, Aluminum
 Finish options : Hot Dip Galvanized to EN 1461, Electrogalvanized to TS 149, Electrostatic Paint Coated, Prime coated
 See material & finish option charts for available product specific selections.

Support Systems

GE-ITP L

L fixing clamp
 L tespit elemanı
 L фиксация зажим

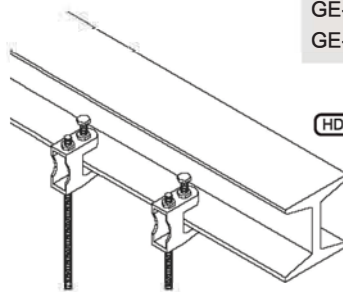
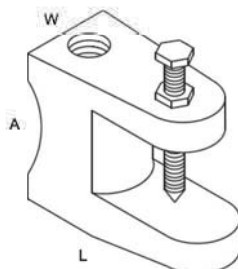


Part No	T	W	A	L	Kg
GE-ITP L	5	45	35	70	0.17

HDG EG SS4 SS6 ESB APB

GE-CSC

Beam clamp
 Mengene
 Пучок зажим

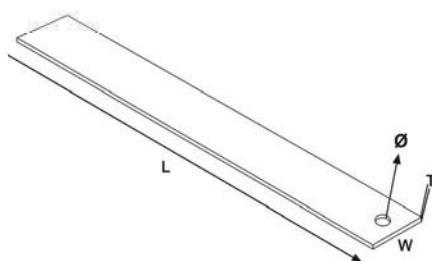
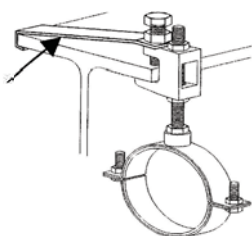


Part No	W	A	∅	Kg
GE-CSC-8	25	42	M8	0.18
GE-CSC-10	25	42	M10	0.18
GE-CSC-12	25	42	M12	0.18
GE-CSC-14	25	42	M14	0.18
GE-CSC-16	25	42	M16	0.18

HDG EG SS4 SS6 ESB APB

GE-CSCF

Safety strap
 Emniyet bandı
 Ремешок для армирования



Part No	T	W	L	∅
GE-CSCF-8	3	25	350	M8
GE-CSCF-10	3	25	350	M10
GE-CSCF-12	3	25	350	M12
GE-CSCF-14	3	40	400	M14
GE-CSCF-16	3	40	400	M16

HDG PG EG SS4 SS6 ESB APB

Beam clamps can be secured with GE-CSCF safety straps.
 Beam clamps must be secured for installation of pipes larger than DN 65 to avoid slipping according to VdS-regulations.

Material options: Stainless steel AISI 304 (L) (A2) / AISI 316 (L) (A4), ST-37-42 Mild Steel, Corten A, Pregalvanized steel, Aluminum
 Finish options : Hot Dip Galvanized to EN 1461, Electrogalvanized to TS 149, Electrostatic Paint Coated, Prime coated
 See material & finish option charts for available product specific selections.

Support Systems

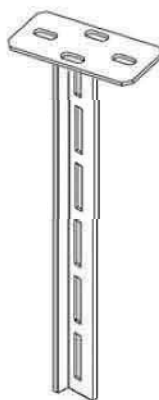
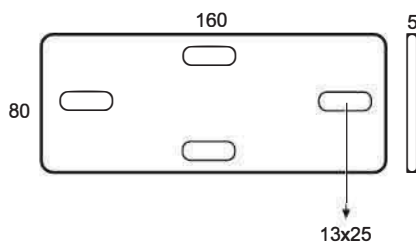
GE-T
 T profile
 T profil
 Профиль



Part No	T	W	A	L	Kg
GE-T-20	4	40	40	200	0.46
GE-T-30	4	40	40	300	0.70
GE-T-40	4	40	40	400	0.95
GE-T-50	4	40	40	500	1.15
GE-T-60	4	40	40	600	1.40
GE-T-70	4	40	40	700	1.65
GE-T-80	4	40	40	800	1.85
GE-T-90	4	40	40	900	2.10
GE-T-100	4	40	40	1000	2.30
GE-T-150	4	40	40	1500	3.45
GE-T-200	4	40	40	2000	4.60
GE-T-300	4	40	40	3000	6.90
GE-T-600	4	40	40	6000	13.80

(HDG) (EG) (SS4) (SS6) (ESB) (APB)

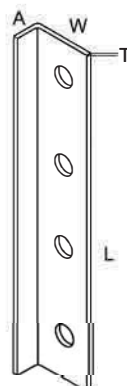
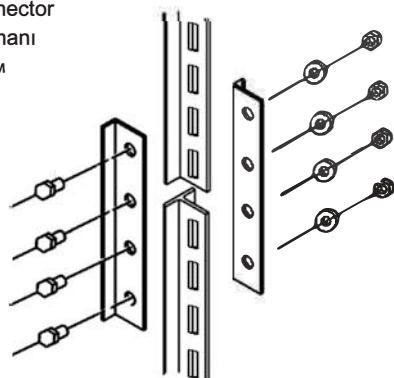
GE-TP
 T profile with head plate
 Başlıklı T profil
 Кронштейн для потолка



Part No	T	W	A	L	Kg
GE-TP-20	4	40	40	200	0.97
GE-TP-30	4	40	40	300	1.21
GE-TP-40	4	40	40	400	1.46
GE-TP-50	4	40	40	500	1.66
GE-TP-60	4	40	40	600	1.91
GE-TP-70	4	40	40	700	2.16
GE-TP-80	4	40	40	800	2.36
GE-TP-90	4	40	40	900	2.61
GE-TP-100	4	40	40	1000	2.81
GE-TP-150	4	40	40	1500	3.96
GE-TP-200	4	40	40	2000	5.10
GE-TP-300	4	40	40	3000	7.41

(HDG) (EG) (SS4) (SS6) (ESB) (APB)

GE-TEK
 T channel connector
 T profil ek elemanı
 Профиль разъем



Part No	T	W	A	L	Kg
GE-TEK	3	34	15	220	0.26

(HDG) (EG) (SS4) (SS6) (ESB) (APB)

Material options: Stainless steel AISI 304 (L) (A2) / AISI 316 (L) (A4), ST-37-42 Mild Steel, Corten A, Pregalvanized steel, Aluminum
 Finish options : Hot Dip Galvanized to EN 1461, Electrogalvanized to TS 149, Electrostatic Paint Coated, Prime coated
 See material & finish option charts for available product specific selections.

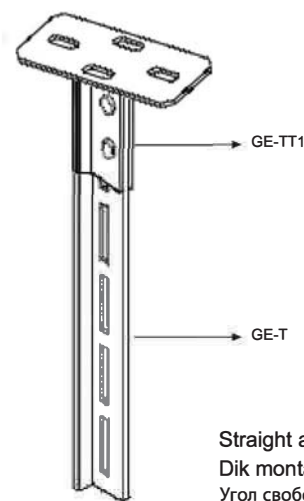
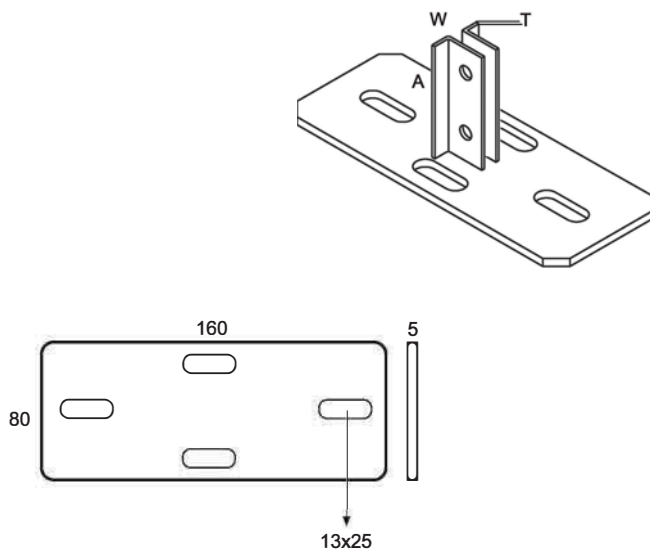
Support Systems

GE-TT1

Ceiling bracket
 Tavan tespiti
 Кронштейн для потолка

Part No	T	W	A	L	Kg
GE-TT1	3	34	150	-	0.83

HDG EG SS4 SS6 ESB APB



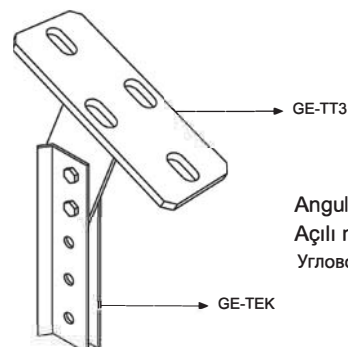
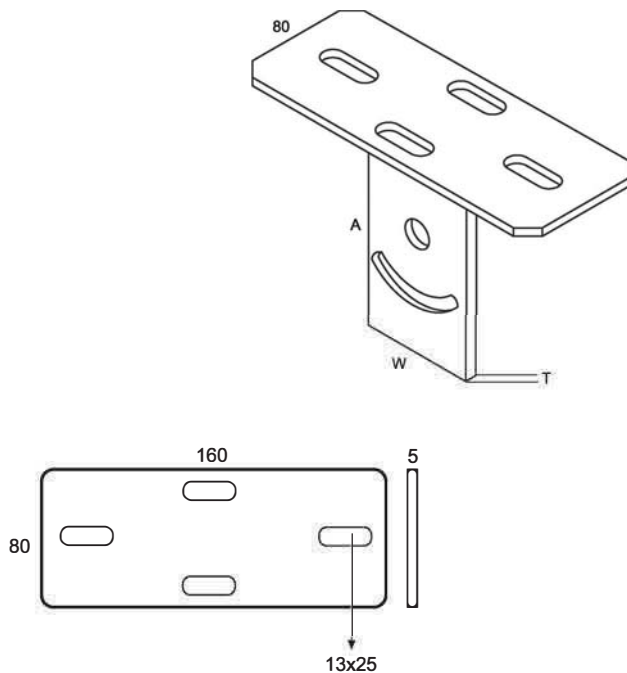
Straight assembly
 Dik montaj
 Угол свободных собраний

GE-TT3

Ciling bracket
 Tavan tespiti
 Кронштейн для потолка

Part No	T	W	A	L	Kg
GE-TT3	4	60	50	-	0.60

HDG EG SS4 SS6 ESB APB

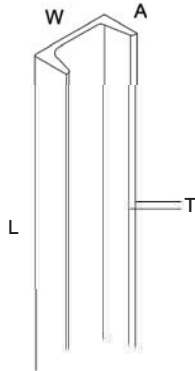


Angular assembly
 Açılı montaj
 Угловое собраний

Material options: Stainless steel AISI 304 (L) (A2) / AISI 316 (L) (A4), ST-37-42 Mild Steel, Corten A, Pregalvanized steel, Aluminum
 Finish options : Hot Dip Galvanized to EN 1461, Electrogalvanized to TS 149, Electrostatic Paint Coated, Prime coated
 See material & finish option charts for available product specific selections.

Support Systems

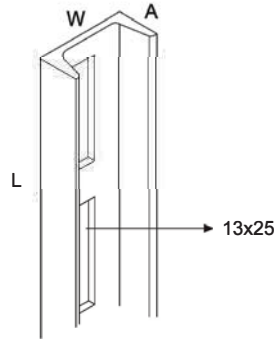
GE-NPU
 U channel
 U profil
 Профиль



Part No	T	W	A	L	Kg
GE-NPU-1	6	65	42	1000	7.50
GE-NPU-2	6	65	42	2000	15.00
GE-NPU-3	6	65	42	3000	22.50
GE-NPU-4	6	65	42	6000	45.00

HDG EG SS4 SS6 ESB APB

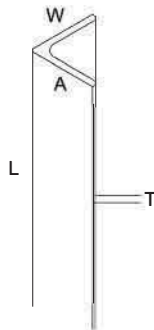
GE-NPUD
 U channel perforated
 U profil delikli
 Профиль



Part No	T	W	A	L	Kg
GE-NPUD-1	6	65	42	1000	7.25
GE-NPUD-2	6	65	42	2000	14.50
GE-NPUD-3	6	65	42	3000	21.75
GE-NPUD-4	6	65	42	6000	43.50

HDG EG SS4 SS6 ESB APB

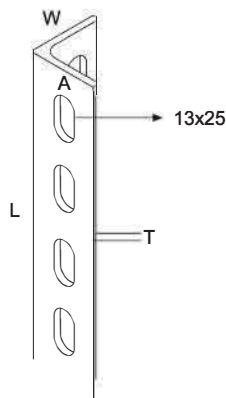
GE-NPLA
 L channel
 L profil
 Профиль



Part No	T	W	A	L	Kg
GE-NPLA-1	4	40	40	1000	2.50
GE-NPLA-2	4	40	40	2000	5.00
GE-NPLA-3	4	40	40	3000	7.50
GE-NPLA-4	4	40	40	6000	15.00
GE-NPLA-5	5	50	50	1000	3.75
GE-NPLA-6	5	50	50	2000	7.50
GE-NPLA-7	5	50	50	3000	11.25
GE-NPLA-8	5	50	50	6000	22.50

HDG EG SS4 SS6 ESB APB

GE-NPLAD
 L channel perforated
 L profil delikli
 Профиль



Part No	T	W	A	L	Kg
GE-NPLAD-1	4	40	40	1000	2.40
GE-NPLAD-2	4	40	40	2000	4.80
GE-NPLAD-3	4	40	40	3000	7.20
GE-NPLAD-4	4	40	40	6000	14.40
GE-NPLAD-5	5	50	50	1000	3.60
GE-NPLAD-6	5	50	50	2000	7.20
GE-NPLAD-7	5	50	50	3000	10.80
GE-NPLAD-8	5	50	50	6000	21.60

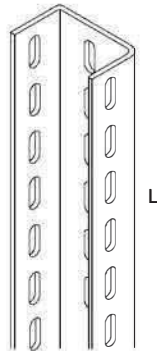
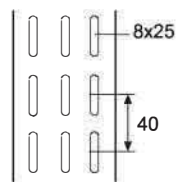
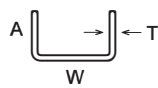
HDG EG SS4 SS6 ESB APB

Material options: Stainless steel AISI 304 (L) (A2) / AISI 316 (L) (A4), ST-37-42 Mild Steel, Corten A, Pregalvanized steel, Aluminum
 Finish options : Hot Dip Galvanized to EN 1461, Electrogalvanized to TS 149, Electrostatic Paint Coated, Prime coated
 See material & finish option charts for available product specific selections.

Support Systems

GE-U

U channel
 U profil
 Профиль

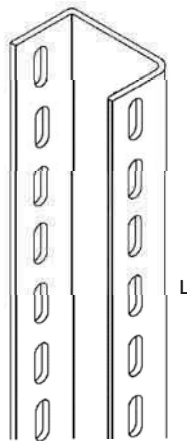
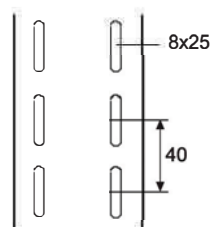
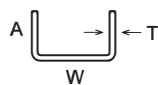


Part No	T	W	A	L	Kg
GE-U-1	2	48	30	500	0.80
GE-U-2	2	48	30	1000	1.60
GE-U-3	2	48	30	1500	2.40
GE-U-4	2	48	30	2000	3.20
GE-U-5	2	48	30	3000	4.80
GE-U-6	2	56	40	500	1.00
GE-U-7	2	56	40	1000	2.00
GE-U-8	2	56	40	2000	4.00
GE-U-9	2	56	40	3000	6.00
GE-U-10	2	40	40	1000	1.80
GE-U-11	2	50	50	1000	2.27
GE-U-12	3	50	40	1000	2.83
GE-U-13	4	50	40	1000	3.65
GE-U-14	5	50	40	1000	4.40

HDG PG EG SS4 SS6 ESB APB

GE-UV

U channel
 U profil
 Профиль

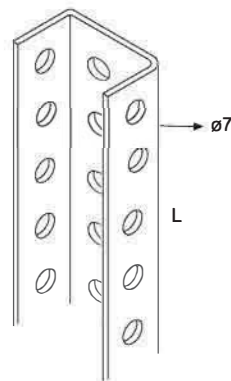
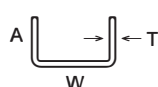


Part No	T	W	A	L	Kg/m
GE-UV-1	3	30	30	2000	1.77
GE-UV-2	3	40	40	2000	2.33
GE-UV-3	4	40	40	2000	2.95
GE-UV-4	4	50	50	2000	3.85

HDG PG EG SS4 SS6 ESB APB

GE-UY

U channel
 U profil
 Профиль



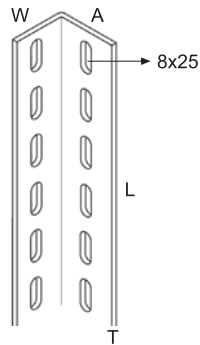
Part No	T	W	A	L	Kg/m
GE-UY-1	2	40	40	3000	1.79
GE-UY-2	2	48	30	3000	1.60
GE-UY-3	2	56	40	3000	2.00
GE-UY-4	2	50	40	3000	2.44
GE-UY-5	3	35	35	3000	2.23
GE-UY-6	3	40	40	3000	2.59
GE-UY-7	3	50	40	3000	2.80
GE-UY-8	4	40	40	3000	3.33
GE-UY-9	5	50	50	3000	5.20

HDG PG EG SS4 SS6 ESB APB

Material options: Stainless steel AISI 304 (L) (A2) / AISI 316 (L) (A4), ST-37-42 Mild Steel, Corten A, Pregalvanized steel, Aluminum
 Finish options : Hot Dip Galvanized to EN 1461, Electrogalvanized to TS 149, Electrostatic Paint Coated, Prime coated
 See material & finish option charts for available product specific selections.

Support Systems

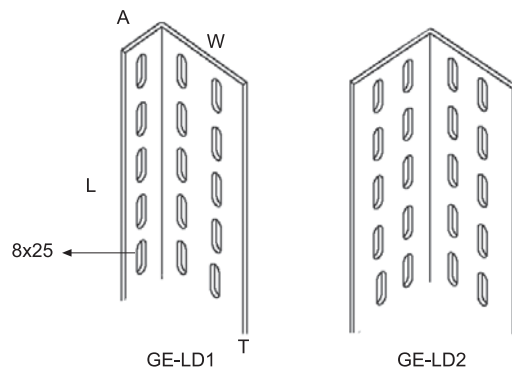
GE-LS
 L channel
 L profil
 Профиль



Part No	T	W	A	L	Kg/m
GE-LS-1	2	30	30	2400	0.90
GE-LS-2	2	40	40	3000	1.20
GE-LS-3	3	30	30	3000	1.30
GE-LS-4	3	40	40	3000	1.80
GE-LS-5	4	30	30	3000	1.66
GE-LS-6	4	40	40	3000	2.30
GE-LS-7	3	50	50	2000	2.15

HDG PG EG SS4 SS6 ESB APB

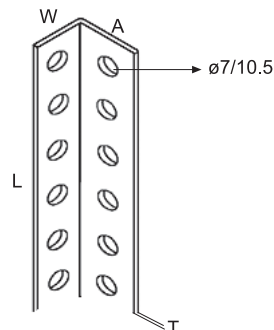
GE-LD
 L channel
 L profil
 Профиль



Part No	T	W	A	L	Kg/m
GE-LD1-1	2	40	20	3000	0.90
GE-LD1-2	2.5	90	20	3000	2.10
GE-LD1-3	2.5	110	20	3000	2.50
GE-LD1-4	3	40	20	3000	1.30
GE-LD1-5	3	90	20	3000	2.50
GE-LD1-6	3	110	20	3000	2.98
GE-LD1-7	4	40	20	3000	1.66
GE-LD2-1	2	40	40	3000	1.20
GE-LD2-2	3	40	40	3000	1.78
GE-LD2-3	4	40	40	3000	2.30

HDG PG EG SS4 SS6 ESB APB

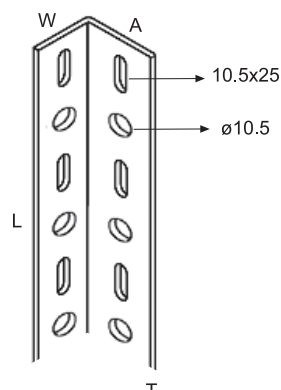
GE-LY
 L channel
 L profil
 Профиль



Part No	T	W	A	L	Kg/m
GE-LY-1	2	30	30	3000	0.86
GE-LY-2	2	40	40	3000	1.20
GE-LY-3	2.5	40	40	3000	1.50
GE-LY-4	3	30	30	3000	1.30
GE-LY-5	3	40	40	3000	1.78
GE-LY-6	4	30	30	3000	1.66
GE-LY-7	4	40	40	3000	2.30

HDG PG EG SS4 SS6 ESB APB

GE-LKS
 L channel
 L profil
 Профиль



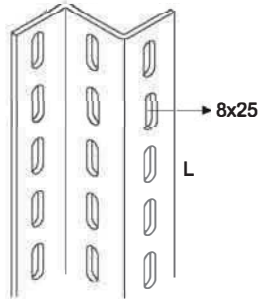
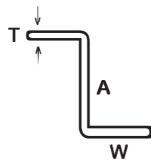
Part No	T	W	A	L	Kg/m
GE-LKS-1	2	30	30	3000	0.90
GE-LKS-2	2	40	40	3000	1.20
GE-LKS-3	2.5	30	30	3000	1.30
GE-LKS-4	2.5	40	40	3000	1.50
GE-LKS-5	3	30	30	3000	1.30
GE-LKS-6	3	40	40	3000	1.78
GE-LKS-7	4	40	40	3000	2.30
GE-LKS-8	4	50	50	3000	2.95

HDG PG EG SS4 SS6 ESB APB

Material options: Stainless steel AISI 304 (L) (A2) / AISI 316 (L) (A4), ST-37-42 Mild Steel, Corten A, Pregalvanized steel, Aluminum
 Finish options : Hot Dip Galvanized to EN 1461, Electrogalvanized to TS 149, Electrostatic Paint Coated, Prime coated
 See material & finish option charts for available product specific selections.

Support Systems

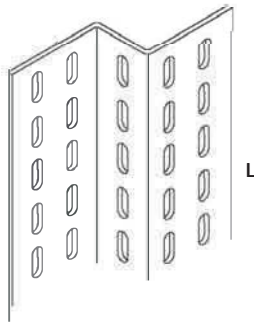
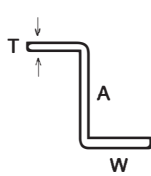
GE-Z
 Z profile
 Z profil
 Профиль



Part No	T	W	A	L	Kg/m
GE-Z-1	2	20	30	3000	1.00
GE-Z-2	2	20	40	3000	1.15
GE-Z-3	2	30	40	3000	1.45
GE-Z-4	3	25	40	3000	1.90
GE-Z-5	4	25	40	3000	2.40

(HDG) (PG) (EG) (SS4) (SS6) (ESB) (APB)

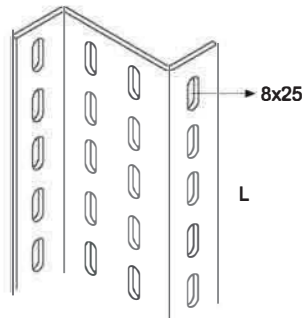
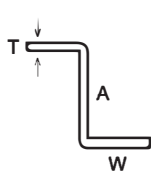
GE-Z
 Z profile
 Z profil
 Профиль



Part No	T	W	A	L	Kg/m
GE-Z-6	2	40	30	3000	1.65
GE-Z-7	2	40	40	3000	1.80
GE-Z-8	3	40	40	3000	2.60
GE-Z-9	4	40	40	3000	3.35

(HDG) (PG) (EG) (SS4) (SS6) (ESB) (APB)

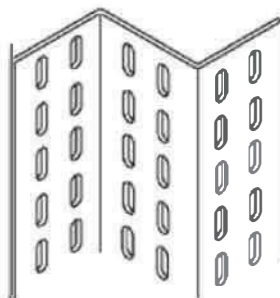
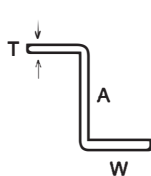
GE-Z
 Z profile
 Z profil
 Профиль



Part No	T	W	A	L	Kg/m
GE-Z-10	2	20	40	3000	1.15
GE-Z-11	2	20	60	3000	1.50
GE-Z-12	3	25	40	3000	1.90
GE-Z-13	3	25	60	3000	2.35
GE-Z-14	4	25	40	3000	2.40
GE-Z-15	4	25	60	3000	3.00

(HDG) (PG) (EG) (SS4) (SS6) (ESB) (APB)

GE-Z
 Z profile
 Z profil
 Профиль



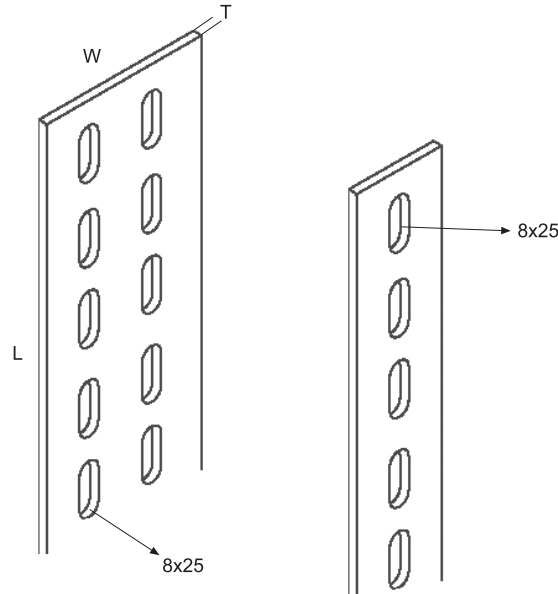
Part No	T	W	A	L	Kg/m
GE-Z-16	2	40	40	3000	1.90
GE-Z-17	2	40	60	3000	2.25
GE-Z-18	3	40	40	3000	2.90
GE-Z-19	3	40	60	3000	3.40
GE-Z-20	4	40	40	3000	3.85
GE-Z-21	4	40	60	3000	4.50

(HDG) (PG) (EG) (SS4) (SS6) (ESB) (APB)

Material options: Stainless steel AISI 304 (L) (A2) / AISI 316 (L) (A4), ST-37-42 Mild Steel, Corten A, Pregalvanized steel, Aluminum
 Finish options : Hot Dip Galvanized to EN 1461, Electrogalvanized to TS 149, Electrostatic Paint Coated, Prime coated
 See material & finish option charts for available product specific selections.

Support Systems

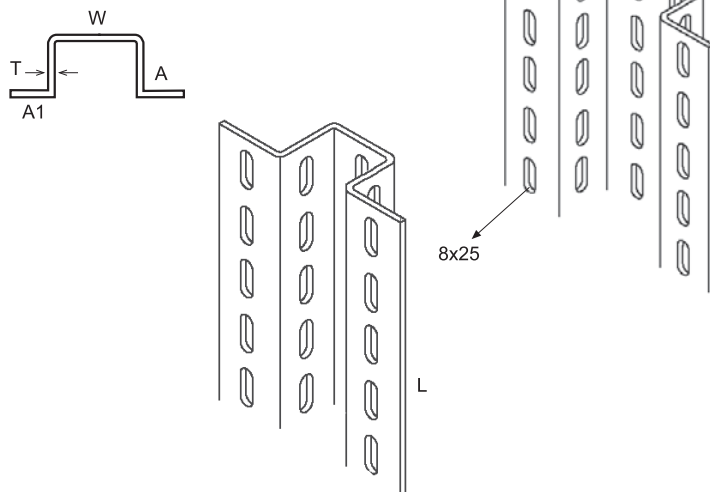
GE-SL
 Perforated flat bar
 Delikli düz lama
 Плоский профиль



Part No	T	W	L	Kg/m
GE-SL-1	2	25	3000	0.40
GE-SL-2	2	40	3000	0.65
GE-SL-3	2	60	3000	0.95
GE-SL-4	3	40	3000	0.95
GE-SL-5	3	60	3000	1.45
GE-SL-6	4	40	3000	1.30
GE-SL-7	4	60	3000	1.90

HDG PG EG SS4 SS6 ESB APB

GE-OMP
 Omega profile
 Omega profil
 Профиль



Part No	T	W	A	A1	L	Kg/m
GE-OMP-1	2	30	20	20	3000	1.50
GE-OMP-2	2	40	30	20	3000	2.00
GE-OMP-3	2	40	40	25	3000	2.47
GE-OMP-4	3	40	40	25	3000	3.50
GE-OMP-5	4	40	40	25	3000	4.40

HDG PG EG SS4 SS6 ESB APB

Material options: Stainless steel AISI 304 (L) (A2) / AISI 316 (L) (A4), ST-37-42 Mild Steel, Corten A, Pregalvanized steel, Aluminum
 Finish options : Hot Dip Galvanized to EN 1461, Electrogalvanized to TS 149, Electrostatic Paint Coated, Prime coated
 See material & finish option charts for available product specific selections.

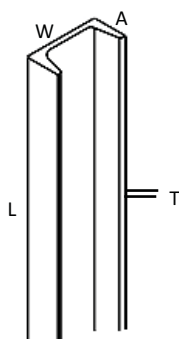
Support Systems

GE-NPI
 IPN Profile
 NPI Profil
 Профиль



Part No	T	W	A	L	Kg/m*
GE-NPI-8.4.3	3,9	80	42	6000	5,95
GE-NPI-1.5.4	4,5	100	50	6000	8,32
GE-NPI-1.5.5	5,1	120	58	6000	11,20
GE-NPI-1.6.5	5,7	140	66	6000	14,40
GE-NPI-1.7.6	6,3	160	74	6000	17,90
GE-NPI-1.8.6	6,9	180	82	6000	21,90
GE-NPI-2.9.7	7,5	200	90	6000	26,30
GE-NPI-2.9.8	8,1	220	98	6000	31,10
GE-NPI-2.1.8	8,7	240	106	6000	36,20
GE-NPI-2.1.9	9,4	260	113	6000	41,90
GE-NPI-2.1.1	10,1	280	119	6000	48,00
GE-NPI-3.1.1	10,8	300	125	6000	54,20
GE-NPI-3.1.1	11,5	320	131	6000	61,10
GE-NPI-3.1.1	12,2	340	137	6000	68,10
GE-NPI-3.1.1	13	360	143	6000	76,20
GE-NPI-3.1.1	13,7	380	149	6000	84,00
GE-NPI-4.1.1	14,4	400	155	6000	92,40
GE-NPI-4.1.1	16,2	450	170	6000	115,00
GE-NPI-5.1.1	18	500	185	6000	141,00
GE-NPI-6.2.2	21,6	600	215	6000	199,00

GE-NPU
 UPN Channel
 NPU Profil
 Профиль

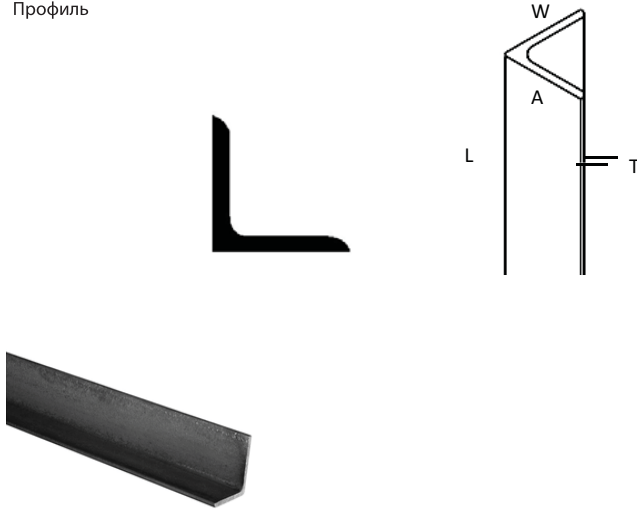


Part No	T	W	A	L	Kg/m*
GE-NPU-4.2.4	4	40	20	6000	2,70
GE-NPU-4.3.5	5	40	35	6000	4,87
GE-NPU-5.2.5	5	50	25	6000	3,86
GE-NPU-5.3.5	5	50	38	6000	5,59
GE-NPU-6.4.5	5	65	42	6000	7,09
GE-NPU-6.4.5	6	80	45	6000	8,64
GE-NPU-10.5.6	6	100	50	6000	10,60
GE-NPU-12.5.7	7	120	55	6000	13,40
GE-NPU-14.6.7	7	140	60	6000	16,00
GE-NPU-16.6.7	7,5	160	65	6000	18,80
GE-NPU-18.7.8	8	180	70	6000	22,00
GE-NPU-20.7.8	8,5	200	75	6000	25,30
GE-NPU-22.8.9	9	220	80	6000	29,40
GE-NPU-24.8.9	9,5	240	85	6000	33,20
GE-NPU-26.9.10	10	260	90	6000	37,90
GE-NPU-28.9.10	10	280	95	6000	41,80
GE-NPU-30.10.10	10	300	100	6000	46,20
GE-NPU-30.10.14	14	300	100	6000	59,50
GE-NPU-32.10.14	14	320	100	6000	59,50
GE-NPU-35.10.14	14	350	100	6000	60,60
GE-NPU-38.10.13	13,5	380	102	6000	63,10
GE-NPU-40.11.14	14	400	110	6000	71,80

Material options: Stainless steel AISI 304 (L) (A2) / AISI 316 (L) (A4), ST-37-42 Mild Steel, Corten A, Pregalvanized steel, Aluminum
 Finish options : Hot Dip Galvanized to EN 1461, Electrogalvanized to TS 149, Electrostatic Paint Coated, Prime coated
 See material & finish option charts for available product specific selections.

Support Systems

GE-NPLA
 L Channel (Angles)
 L Köşebent
 Профиль



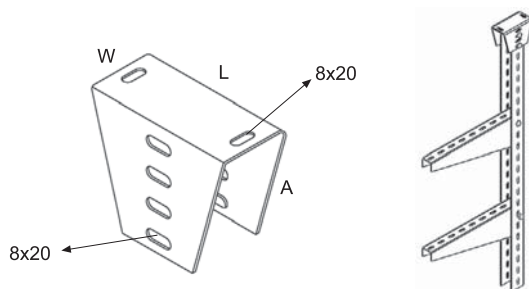
Part No	T	W	A	L	Kg/m*
GE-NPLA-2.2.3	3	20	20	6000	0,88
GE-NPLA-2.2.3	3	25	25	6000	1,11
GE-NPLA-3.3.3	3	30	30	6000	1,36
GE-NPLA-3.3.4	4	30	30	6000	1,78
GE-NPLA-3.3.4	4	35	35	6000	2,09
GE-NPLA-4.4.3	3	40	40	6000	1,84
GE-NPLA-4.4.4	4	40	40	6000	2,42
GE-NPLA-5.5.5	5	50	50	6000	3,77
GE-NPLA-5.5.6	6	50	50	6000	4,47
GE-NPLA-6.6.5	5	60	60	6000	4,57
GE-NPLA-6.6.6	6	60	60	6000	5,42
GE-NPLA-6.6.7	7	65	65	6000	6,83
GE-NPLA-6.6.9	9	65	65	6000	8,62
GE-NPLA-7.7.7	7	70	70	6000	7,38
GE-NPLA-7.7.6	6	75	75	6000	6,87
GE-NPLA-7.7.7	7	75	75	6000	7,94
GE-NPLA-8.8.8	8	80	80	6000	9,63
GE-NPLA-8.8.1	10	80	80	6000	11,90
GE-NPLA-9.9.9	9	90	90	6000	12,20
GE-NPLA-1.1.8	8	100	100	6000	12,20
GE-NPLA-1.1.1	10	100	100	6000	15,00
GE-NPLA-1.1.1	12	100	100	6000	17,80
GE-NPLA-1.1.1	10	110	110	6000	16,60
GE-NPLA-1.1.1	10	120	120	6000	18,20
GE-NPLA-1.1.1	11	120	120	6000	19,90
GE-NPLA-1.1.1	12	120	120	6000	21,60
GE-NPLA-1.1.1	12	150	150	6000	27,30
GE-NPLA-1.1.1	14	150	150	6000	31,60
GE-NPLA-1.1.1	15	150	150	6000	33,80
GE-NPLA-1.1.1	16	150	150	6000	35,90
GE-NPLA-1.1.1	15	160	160	6000	36,20
GE-NPLA-1.1.1	17	160	160	6000	40,70
GE-NPLA-1.1.1	15	180	180	6000	40,90
GE-NPLA-1.1.1	16	180	180	6000	43,50
GE-NPLA-1.1.1	18	180	180	6000	48,60
GE-NPLA-2.1.1	20	180	180	6000	53,70
GE-NPLA-1.2.2	16	200	200	6000	48,50
GE-NPLA-1.2.2	18	200	200	6000	54,20
GE-NPLA-2.2.2	20	200	200	6000	59,90
GE-NPLA-2.2.2	24	200	200	6000	71,10

Material options: Stainless steel AISI 304 (L) (A2) / AISI 316 (L) (A4), ST-37-42 Mild Steel, Corten A, Pregalvanized steel, Aluminum
 Finish options : Hot Dip Galvanized to EN 1461, Electrogalvanized to TS 149, Electrostatic Paint Coated, Prime coated
 See material & finish option charts for available product specific selections.

Support Systems

GE-AS1

Ceiling brackets
 Askı elemanları
 Потолочная консоль

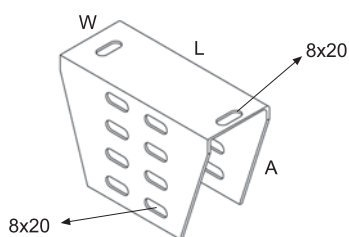


Part No	T	W	A	L	Kg
GE-AS1-1	2	52	80	120	0.36
GE-AS1-2	2	60	100	120	0.44
GE-AS1-3	3	60	100	120	0.66

HDG PG EG SS4 SS6 ESB APB

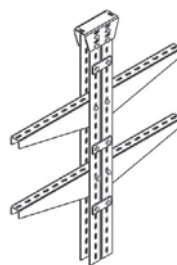
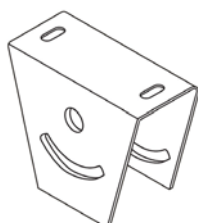
GE-AS2

Ceiling brackets
 Askı elemanları
 Потолочная консоль



GE-ASJ

Ceiling brackets
 Askı elemanları
 Потолочная консоль

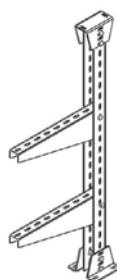
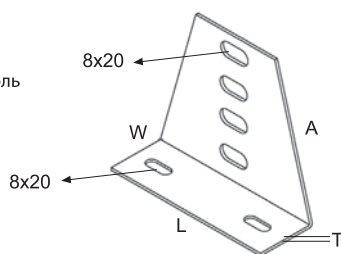


Part No	T	W	A	L	Kg
GE-AS2-1	2	52	80	160	0.42
GE-AS2-2	2	60	100	140	0.51
GE-AS2-3	3	60	100	140	0.77

HDG PG EG SS4 SS6 ESB APB

GE-AS3

Ceiling brackets
 Askı elemanları
 Потолочная консоль

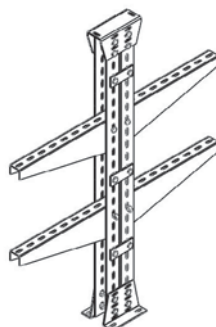
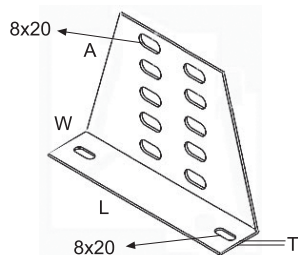


Part No	T	W	A	L	Kg
GE-AS3-1	2	35	80	120	0.20
GE-AS3-2	2	35	100	120	0.26
GE-AS3-3	2	35	100	140	0.30
GE-AS3-4	3	35	100	140	0.45

HDG PG EG SS4 SS6 ESB APB

GE-AS3-D

Ceiling brackets
 Askı elemanları
 Потолочная консоль



Part No	T	W	A	L	Kg
GE-AS3-D1	2	35	100	140	0.30
GE-AS3-D2	3	35	100	140	0.45

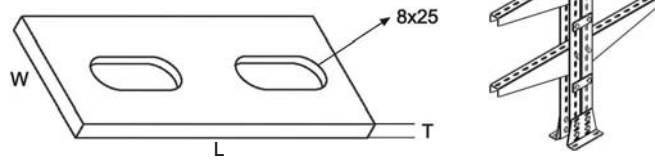
HDG PG EG SS4 SS6 ESB APB

Material options: Stainless steel AISI 304 (L) (A2) / AISI 316 (L) (A4), ST-37-42 Mild Steel, Corten A, Pregalvanized steel, Aluminum
 Finish options : Hot Dip Galvanized to EN 1461, Electrogalvanized to TS 149, Electrostatic Paint Coated, Prime coated
 See material & finish option charts for available product specific selections.

Support Systems

GE-AS4

Channel connector
 Profil birleştirme parçası
 Профиль разъем

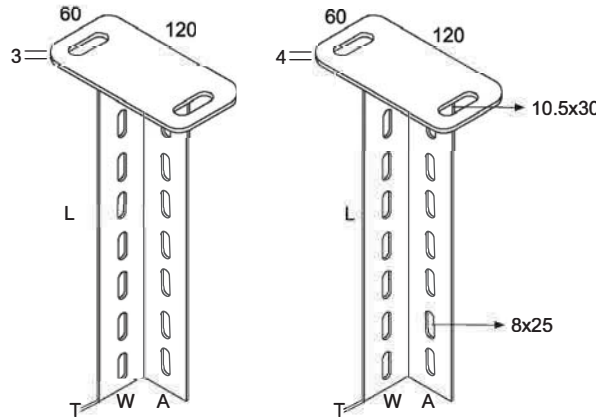


Part No	T	W	L	Kg
GE-AS4-1	2	35	60	0.034
GE-AS4-2	2	35	80	0.045
GE-AS4-3	3	35	80	0.067

HDG PG EG SS4 SS6 ESB APB

GE-TA1

Ceiling brackets
 Tavan askı
 Потолочная консоль

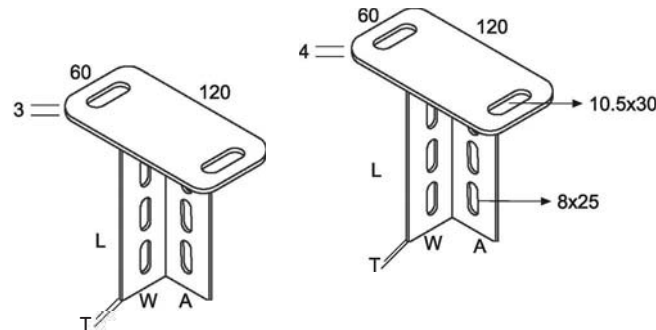


Part No	T	W	A	L	Kg
GE-TA1-1	2	40	40	500	0.78
GE-TA1-2	2	40	40	600	0.90
GE-TA1-3	2	40	40	750	1.10
GE-TA1-4	2	40	40	1000	1.39
GE-TA1-5	3	40	40	500	1.10
GE-TA1-6	3	40	40	600	1.30
GE-TA1-7	3	40	40	750	1.56
GE-TA1-8	3	40	40	1000	2.00

HDG EG SS4 SS6 ESB APB

GE-TA4

Ceiling brackets
 Tavan askı
 Потолочная консоль



Part No	T	W	A	L	Kg
GE-TA4-1	2	37	37	120	0.31
GE-TA4-2	3	37	37	120	0.45

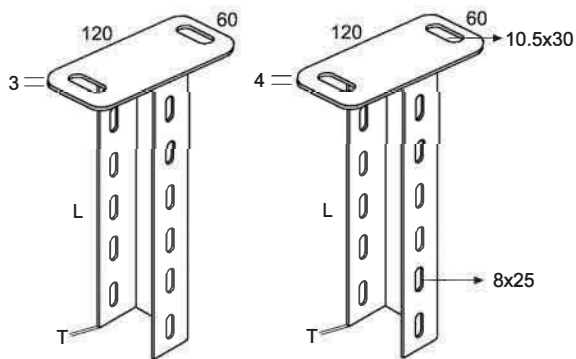
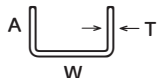
HDG EG SS4 SS6 ESB APB

Material options: Stainless steel AISI 304 (L) (A2) / AISI 316 (L) (A4), ST-37-42 Mild Steel, Corten A, Pregalvanized steel, Aluminum
 Finish options : Hot Dip Galvanized to EN 1461, Electrogalvanized to TS 149, Electrostatic Paint Coated, Prime coated
 See material & finish option charts for available product specific selections.

Support Systems

GE-TA2

Ceiling brackets
 Tavan askı
 Потолочная консоль

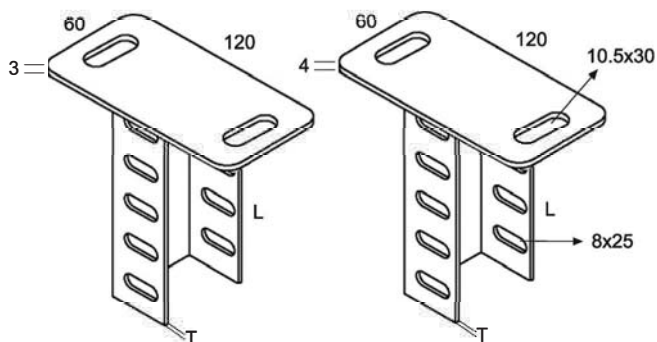
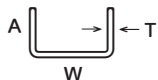


Part No	T	W	A	L	Kg
GE-TA2-1	2	48	30	500	1.00
GE-TA2-2	2	48	30	600	1.20
GE-TA2-3	2	48	30	750	1.50
GE-TA2-4	2	56	40	500	1.00
GE-TA2-5	2	56	40	600	1.35
GE-TA2-6	2	56	40	750	1.65
GE-TA2-7	3	56	40	500	1.60
GE-TA2-8	3	56	40	600	1.90
GE-TA2-9	3	56	40	750	2.35

(HDG) (EG) (SS4) (SS6) (ESB) (APB)

GE-TA3S

Ceiling brackets
 Tavan askı
 Потолочная консоль

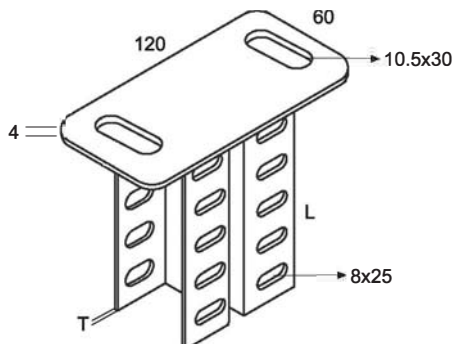
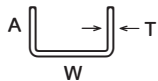


Part No	T	W	A	L	Kg
GE-TA3S-1	2	42	26	120	0.32
GE-TA3S-2	2	50	36	120	0.35
GE-TA3S-3	3	50	36	120	0.50

(HDG) (EG) (SS4) (SS6) (ESB) (APB)

GE-TA3D

Ceiling brackets
 Tavan askı
 Потолочная консоль



Part No	T	W	A	L	Kg
GE-TA3D-1	2	42	52	120	0.53
GE-TA3D-2	2	50	72	120	0.62
GE-TA3D-3	3	50	72	120	0.82

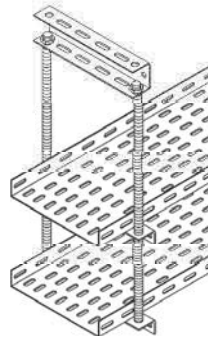
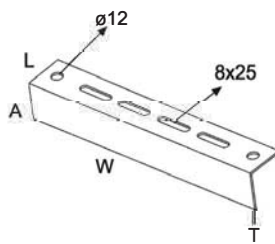
(HDG) (EG) (SS4) (SS6) (ESB) (APB)

Material options: Stainless steel AISI 304 (L) (A2) / AISI 316 (L) (A4), ST-37-42 Mild Steel, Corten A, Pregalvanized steel, Aluminum
 Finish options : Hot Dip Galvanized to EN 1461, Electrogalvanized to TS 149, Electrostatic Paint Coated, Prime coated
 See material & finish option charts for available product specific selections.

Support Systems

GE-AE-5L

Tray suspension with rod L
 Tijle kanal taşıyıcı L
 Поддержка для осуществления кабельного лотка

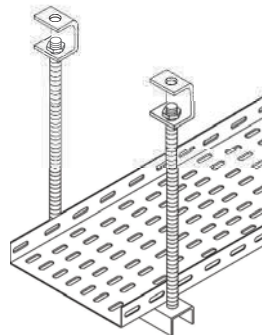
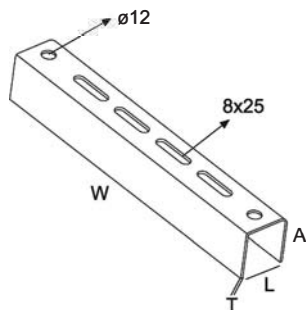


Part No	T	W	A	L	Kg
GE-AE-5L-16	1.5	220	40	40	0.20
GE-AE-5L-20	1.5	260	40	40	0.25
GE-AE-5L-26	1.5	320	40	40	0.40
GE-AE-5L-30	2.0	360	50	50	0.57
GE-AE-5L-40	2.5	460	50	50	0.90
GE-AE-5L-45	2.5	510	50	50	1.00
GE-AE-5L-50	2.5	560	50	50	1.10
GE-AE-5L-60	3.0	660	50	50	1.58

(HDG) (PG) (EG) (SS4) (SS6) (ESB) (APB)

GE-AE-5U

Tray suspension with rod U
 Tijle kanal taşıyıcı U
 Поддержка для осуществления кабельного лотка

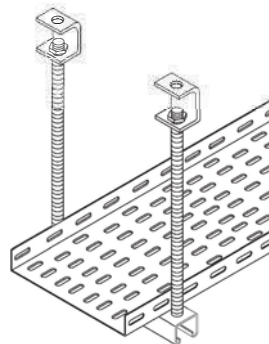
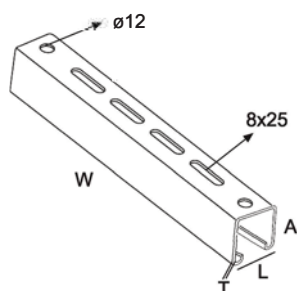


Part No	T	W	A	L	Kg
GE-AE-5U-10	2	160	30	30	0.22
GE-AE-5U-16	2	220	30	30	0.30
GE-AE-5U-20	2	260	30	30	0.35
GE-AE-5U-26	2	320	30	30	0.43
GE-AE-5U-30	2	360	30	30	0.48
GE-AE-5U-40	2.5	460	35	35	0.88
GE-AE-5U-45	2.5	510	35	35	0.97
GE-AE-5U-50	2.5	560	35	35	1.06
GE-AE-5U-60	3	660	40	40	1.70

(HDG) (PG) (EG) (SS4) (SS6) (ESB) (APB)

GE-AE-5C

Tray suspension with rod C
 Tijle kanal taşıyıcı C
 Поддержка для осуществления кабельного лотка



Part No	T	W	A	L	Kg
GE-AE-5C-10	2	160	41	41	0.32
GE-AE-5C-16	2	220	41	41	0.44
GE-AE-5C-20	2	260	41	41	0.52
GE-AE-5C-26	2	320	41	41	0.64
GE-AE-5C-30	2	360	41	41	0.72
GE-AE-5C-40	2	460	41	41	0.92
GE-AE-5C-45	2	510	41	41	1.00
GE-AE-5C-50	2	560	41	41	1.12
GE-AE-5C-60	2	660	41	41	1.32

(HDG) (PG) (EG) (SS4) (SS6) (ESB) (APB)

Material options: Stainless steel AISI 304 (L) (A2) / AISI 316 (L) (A4), ST-37-42 Mild Steel, Corten A, Pregalvanized steel, Aluminum
 Finish options : Hot Dip Galvanized to EN 1461, Electrogalvanized to TS 149, Electrostatic Paint Coated, Prime coated
 See material & finish option charts for available product specific selections.

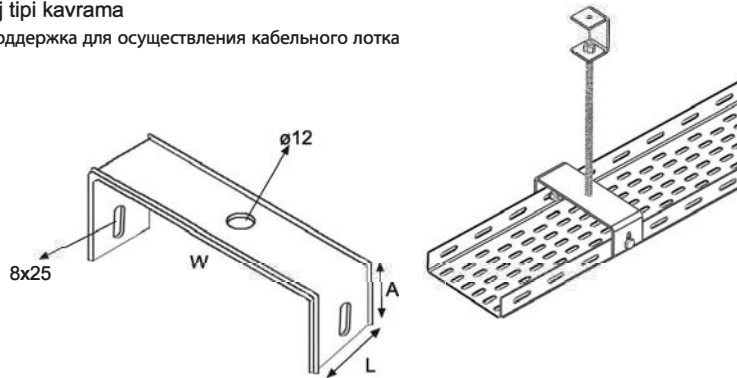
Support Systems

GE-AE-1

Tray suspension clamp

Tij tipi kavrama

Поддержка для осуществления кабельного лотка



Part No	T	W	A	L	Kg
GE-AE-1-5	1.5	54	50	50	0.10
GE-AE-1-7	1.5	74	50	50	0.12
GE-AE-1-10	1.5	104	50	50	0.14
GE-AE-1-16	1.5	164	60	60	0.20
GE-AE-1-20	1.5	204	60	60	0.23
GE-AE-1-26	2	264	60	60	0.37
GE-AE-1-30	2	304	60	60	0.40

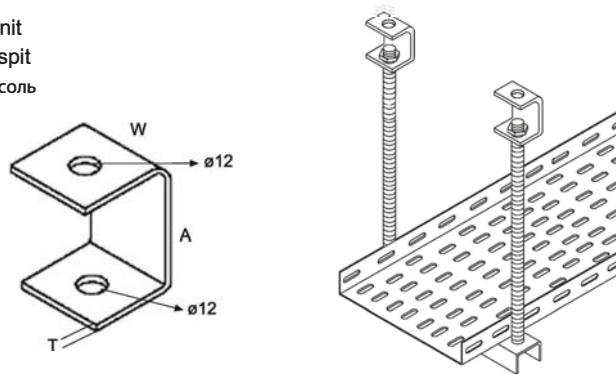
HDG PG EG SS4 SS6 ESB APB

GE-AE-2

Ceiling fixing unit

Tij tipi tavan tespit

Потолочная консоль



Part No	T	W	A	L	Kg
GE-AE-2-1	3	40	60	40	0.13

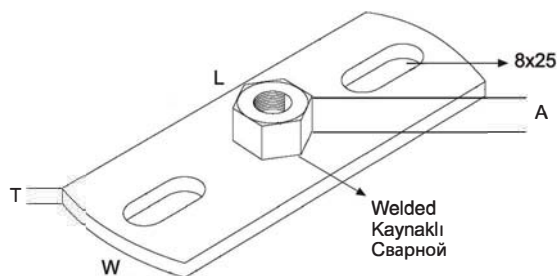
HDG PG EG SS4 SS6 ESB APB

GE-AET

Ceiling bracket for rod

Tij için tavan konsolu

Потолочная консоль



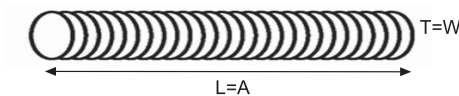
Part No	T	W	A	L	Kg
GE-AET-1	3	40	13	60	0.07

HDG EG SS4 SS6 ESB APB

Material options: Stainless steel AISI 304 (L) (A2) / AISI 316 (L) (A4), ST-37-42 Mild Steel, Corten A, Pregalvanized steel, Aluminum
 Finish options : Hot Dip Galvanized to EN 1461, Electrogalvanized to TS 149, Electrostatic Paint Coated, Prime coated
 See material & finish option charts for available product specific selections.

Support Systems

GE-KAT
 Thread rod
 Tij
 Гихон



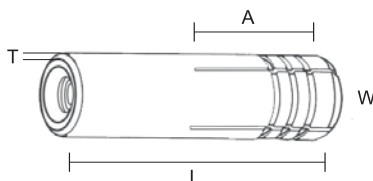
GE-KATC
 PVC cap
 PVC başlık

Part No	T	W	A	L	Kg
GE-KAT 8200	8	8	200	200	0.06
GE-KAT 8500	8	8	500	500	0.15
GE-KAT 81000	8	8	1000	1000	0.30
GE-KAT 82000	8	8	2000	2000	0.60
GE-KAT 101000	10	10	1000	1000	0.48
GE-KAT 103000	10	10	3000	3000	1.45
GE-KAT 121000	12	12	1000	1000	0.70
GE-KAT 123000	12	12	3000	3000	2.10
GE-KAT 141000	14	14	1000	1000	0.90
GE-KAT 143000	14	14	3000	3000	2.70

EG SS4 SS6

GE-CCD
 Shell bolt
 Kovanlı çelik dübel
 Монтажные болты (дюбели)

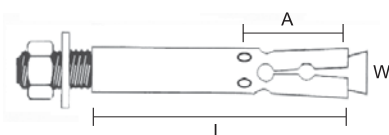
Part No	T	W	A	L	Max. Perm. load (kN)	Bending Moment	Kg
GE-CCD 01	2.5	8	30	50	1.8	6	0.113
GE-CCD 02	2.5	10	30	50	3.5	12	0.125
GE-CCD 03	3.0	12	30	50	5.0	15	0.150



EG SS4 SS6

GE-GCD
 Sleeve anchor
 Gömlekli çelik dübel
 Монтажные болты (дюбели)

Part No	T	W	A	L	Max. Perm. load (kN)	Bending Moment	Kg
GE-GCD 01	1	8	30	55	2	5.2	0.050
GE-GCD 02	1	8	40	75	2	5.2	0.060
GE-GCD 03	1	10	40	90	3	12.8	0.085
GE-GCD 04	1	10	40	110	3	12.8	0.103
GE-GCD 05	1.2	12	40	90	5	25.5	0.115
GE-GCD 06	1.2	12	40	110	5	25.5	0.135



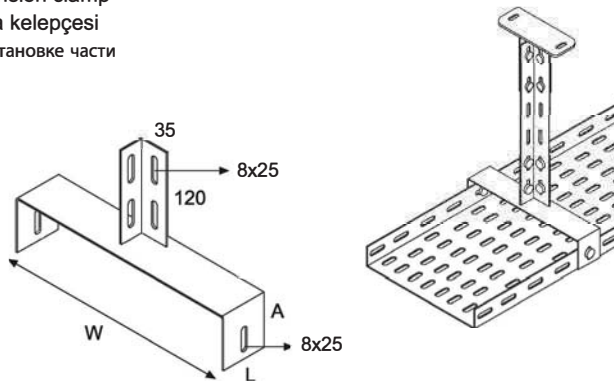
EG SS4 SS6

Material options: Stainless steel AISI 304 (L) (A2) / AISI 316 (L) (A4), ST-37-42 Mild Steel, Corten A, Pregalvanized steel, Aluminum
 Finish options : Hot Dip Galvanized to EN 1461, Electrogalvanized to TS 149, Electrostatic Paint Coated, Prime coated
 See material & finish option charts for available product specific selections.

Support Systems

GE-AE03

Tray suspension clamp
 Kanal asma kelepçesi
 Лоток пристановке части

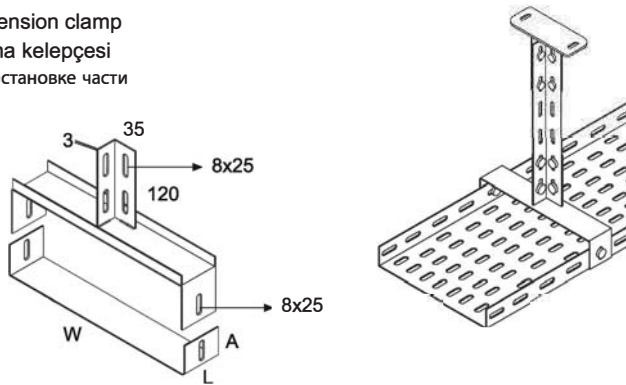


Part No	T	W	A	L	Kg
GE-AE03 7	1.5	74	60	50	0.37
GE-AE03 10	1.5	104	60	50	0.39
GE-AE03 12	1.5	124	60	50	0.41
GE-AE03 16	1.5	164	60	50	0.43
GE-AE03 20	2	204	60	50	0.62

HDG EG SS4 SS6 ESB APB

GE-AE04

Tray suspension clamp
 Kanal asma kelepçesi
 Лоток пристановке части

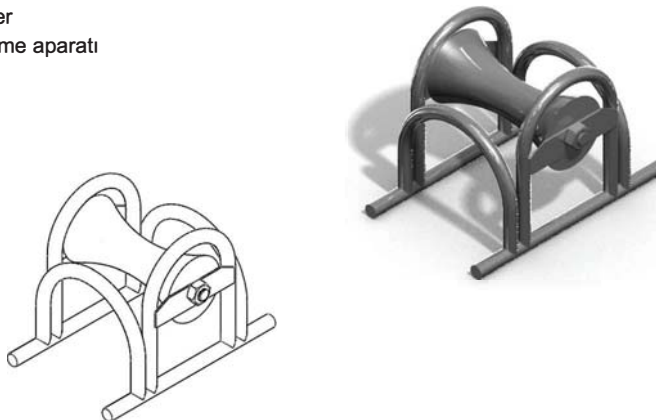


Part No	T	W	A	L	Kg
GE-AE04 26	2	264	60	55	1.03
GE-AE04 30	2	304	60	55	1.10
GE-AE04 40	2	404	60	55	1.30
GE-AE04 45	2	454	60	55	1.40
GE-AE04 50	2	504	60	55	1.49
GE-AE04 60	2	604	60	55	1.68

HDG EG SS4 SS6 ESB APB

GE-KBL

Cable roller
 Kablo çekme aparatı



Part No	Material
GE-KBL-1	Electro galvanized
GE-KBL-2	Stainless steel
GE-KBL-3	Epoxy paint coated

Material options: Stainless steel AISI 304 (L) (A2) / AISI 316 (L) (A4), ST-37-42 Mild Steel, Corten A, Pregalvanized steel, Aluminum
 Finish options : Hot Dip Galvanized to EN 1461, Electrogalvanized to TS 149, Electrostatic Paint Coated, Prime coated
 See material & finish option charts for available product specific selections.

Support Systems

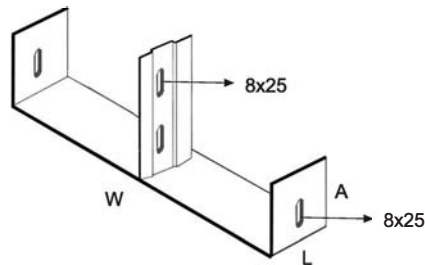
GE-AE06
 M channel
 M profil
 Профиль



Part No	T	W	A	L	Kg
GE-AE06-50	1.5	55	12	500	0.39
GE-AE06-100	1.5	55	12	1000	0.78
GE-AE06-300	1.5	55	12	3000	2.34

HDG PG EG SS4 SS6 ESB APB

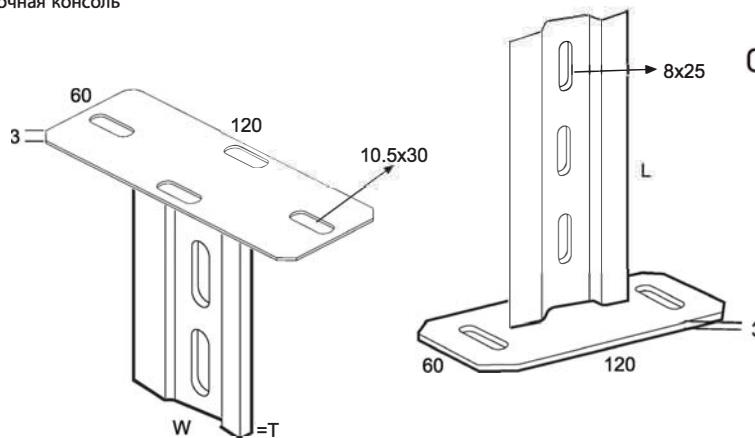
GE-AE08
 Inside clamp with M channel
 M içten kavrama
 Потолочная консоль



Part No	T	W	A	L	Kg
GE-AE08-7	2	70	40	55	0.24
GE-AE08-10	2	100	40	55	0.28
GE-AE08-16	2	160	40	55	0.33
GE-AE08-20	2	200	40	55	0.37
GE-AE08-26	2	260	40	55	0.42

HDG EG SS4 SS6 ESB APB

GE-AE07
 M ceiling bracket
 M tavan tespit
 Потолочная консоль



Part No	T	W	L	Kg
GE-AE07-1	2	55	120	0.28

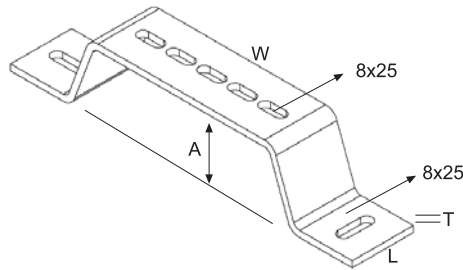
HDG EG SS4 SS6 ESB APB

Material options: Stainless steel AISI 304 (L) (A2) / AISI 316 (L) (A4), ST-37-42 Mild Steel, Corten A, Pregalvanized steel, Aluminum
 Finish options : Hot Dip Galvanized to EN 1461, Electrogalvanized to TS 149, Electrostatic Paint Coated, Prime coated
 See material & finish option charts for available product specific selections.

Support Systems

GE-ZTK

Floor stand
 Zemine tespit elemanı (Yükseltici)
 Этаж кронштейн

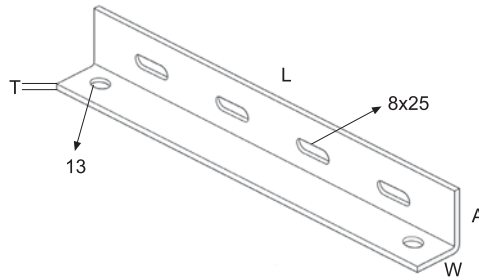


Part No	T	W	A	L	Kg
GE-ZTK-1	2	100	40	40	0.17
GE-ZTK-2	2	150	40	40	0.20
GE-ZTK-3	2	200	40	40	0.23
GE-ZTK-4	2	225	40	40	0.25
GE-ZTK-5	2	250	40	40	0.26
GE-ZTK-6	3	300	40	50	0.55
GE-ZTK-7	3	400	40	50	0.67
GE-ZTK-8	3	450	40	50	0.73
GE-ZTK-9	3	500	40	50	0.79
GE-ZTK-10	3	600	40	50	0.91
GE-ZTK-11	3	750	40	50	1.10
GE-ZTK-12	3	900	40	50	1.27

HDG PG EG SS4 SS6 ESB APB

GE-BSU

Beam suspension bracket
 Kiriş montaj elemanı
 Потолочная консоль

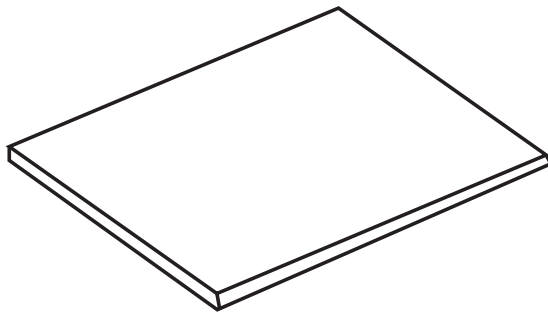


Part No	T	W	A	L	Kg
GE-BSU-1	2	40	40	220	0.27
GE-BSU-2	2	40	40	260	0.33
GE-BSU-3	2	40	40	320	0.40
GE-BSU-4	2	40	40	360	0.45
GE-BSU-5	3	40	40	460	0.56
GE-BSU-6	3	40	40	560	0.70
GE-BSU-7	3	40	40	660	0.80

HDG PG EG SS4 SS6 ESB APB

GE-PLATE

Plate
 Plaka



Material options: Stainless steel AISI 304 (L) (A2) / AISI 316 (L) (A4), ST-37-42 Mild Steel, Corten A, Pregalvanized steel, Aluminum
 Finish options : Hot Dip Galvanized to EN 1461, Electrogalvanized to TS 149, Electrostatic Paint Coated, Prime coated
 See material & finish option charts for available product specific selections.

Support Systems

GE-PBX

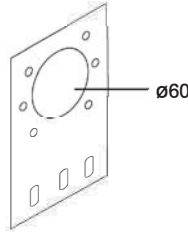
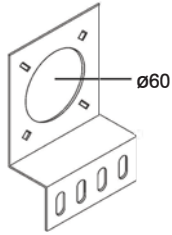
Pull box
 Buat
 Соединительная коробка



Part No	Size
GE-PBX-10	100x100
GE-PBX-20	200x100
GE-PBX-30	300x100
GE-PBX-40	300x150
GE-PBX-45	400x150

GE-BUP

Plate for junction box
 Buat plakası
 Тарелка для соединительная коробка



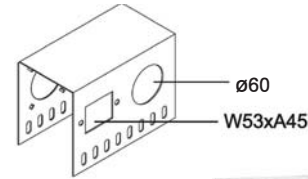
Part No	T	A	Kg
GE-BUP-A	1.5	100	0.15
GE-BUP-B	1.5	100	0.11
GE-BUP-C-75	1.5	140	0.85
GE-BUP-C-105	1.5	140	1.00
GE-BUP-C-165	1.5	140	1.10
GE-BUP-C-205	1.5	140	1.25



A



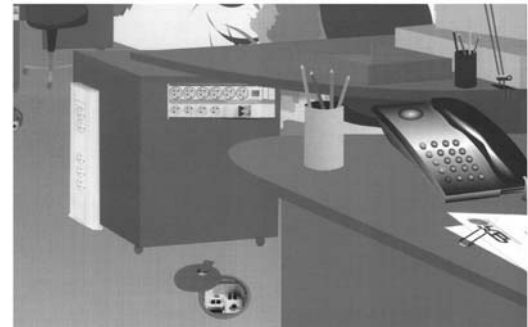
B



C

GE-PPK

Aluminum service box system
 Alüminyum priz kutusu sistemi
 Системы кабельных коробов, алюминий



Aluminum channels cut to custom lengths as per project requirements and equipped with the required type of sockets.

Alüminyum profiller istenilen boyalarda kesilir ve projenize gerekli tip soketler monte edilir.

Алюминиевые каналы нарезаются на пользовательские длин как по каждому проекту требованиям и оснащены Требуемый тип разъемов .

Material options: Stainless steel AISI 304 (L) (A2) / AISI 316 (L) (A4), ST-37-42 Mild Steel, Corten A, Pregalvanized steel, Aluminum
 Finish options : Hot Dip Galvanized to EN 1461, Electrogalvanized to TS 149, Electrostatic Paint Coated, Prime coated
 See material & finish option charts for available product specific selections.



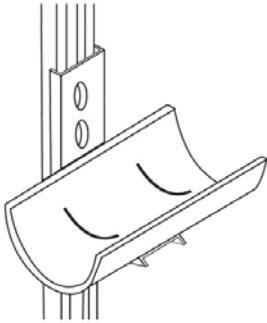
SUPPORT SYSTEMS FOR TUNNELS

TÜNELLER İÇİN KABLO TAŞIMA SİSTEMLERİ

КАБЕЛЬНЫЕ СИСТЕМЫ ДЛЯ ПОДДЕРЖКИ ТУННЕЛЯХ

GE-OGK

MV Cable Bracket
 OG Kablo Kroşesi



GE-KAKP

PVC cable clamp for tunnels
 Tünel tipi PVC kablo kroşesi



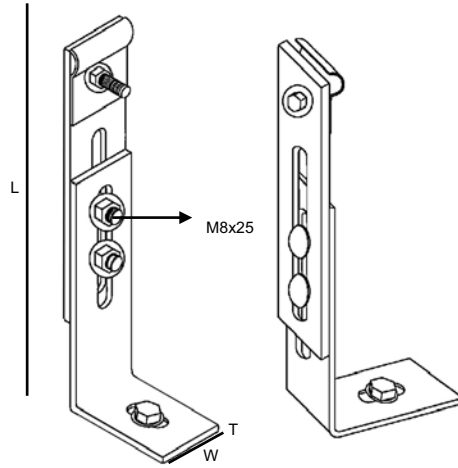
Part No	T	L	Kg
GE-OGK-1	2	150	0,70
GE-OGK-2	2	200	0,85

SS4 SS6 HDG PG

Part No	W	L	Kg
GE-KAKP-80	80	150	0,10

GE-BSBR

Base support bracket for conductors
 İletken tespit elemanı

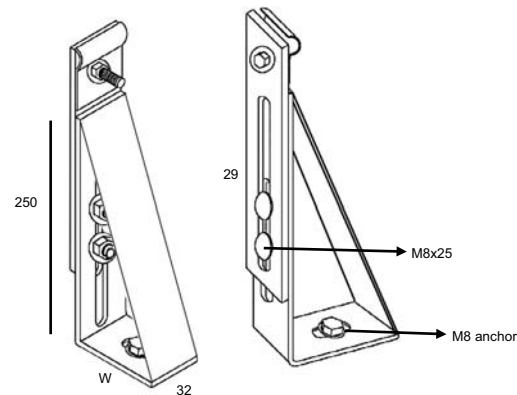


Part No	T	W	Lmax	Kg
GE-BSBR	4	32	240	0.35

SS4 SS6 HDG

GE-BSBH

Base support bracket for conductors
 İletken tespit elemanı



Part No	T	W	Amax	Kg
GE-BSBH	4	90	485	0.35

SS4 SS6 HDG

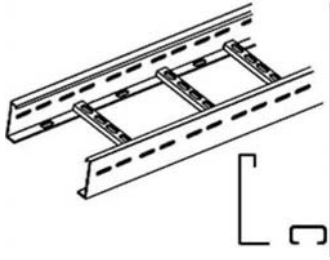
Material options: Stainless steel AISI 304 (L) (A2) / AISI 316 (L) (A4), ST-37-42 Mild Steel, Corten A, Pregalvanized steel, Aluminum
 Finish options : Hot Dip Galvanized to EN 1461, Electrogalvanized to TS 149, Electrostatic Paint Coated, Prime coated
 See material & finish option charts for available product specific selections.



SUPPORT SYSTEMS FOR TUNNELS

TÜNELLER İÇİN KABLO TAŞIMA SİSTEMLERİ

КАБЕЛЬНЫЕ СИСТЕМЫ ДЛЯ ПОДДЕРЖКИ ТУННЕЛЯХ



Tunnel type cable support systems are available in AISI 304, AISI 316 stainless steel and also hot dip galvanized finish to ISO EN 1461. Please contact us for additional material and finish options.

Tünel tipi kablo taşıma sistemleri, AISI 304, AISI 316 paslanmaz çelik ve ISO EN 1461 sıcak daldırma galvaniz olarak mevcuttur. Lütfen diğer malzemeler ve kaplama seçenekleri için bize ulaşın.

Туннельного типа кабельных систем поддержки доступны в AISI 304, AISI 316 нержавеющей стали, а также горячего цинкования Готово ISO EN 1461. Пожалуйста, свяжитесь с нами для получения дополнительной материалной и закончите варианты.

Load capacity of 1000 kg per 3 meters span with 2.0 safety factor.

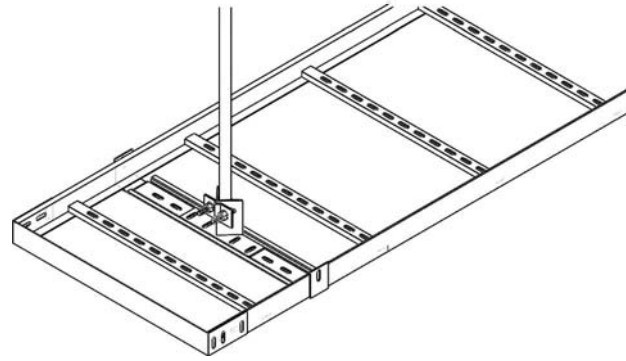
Stainless steel tunnel type cable ladders have a safe working load capacity of 1000 kg in 3 m span.

Emniyetli taşıma yükü 1000 kg/3 m

Tünel tipi paslanmaz çelik kablo merdivenlerinde emniyetli taşıma yükü 2.0 emniyet faktörüyle 1000 kg / 3 m'dir.

Грузоподъемность 1000 кг / 3 метра

Безопасная рабочая нагрузка потенциала туннельного типа кабеля лестниц (нержавеющая сталь) составляет 1000 кг метра размаха.



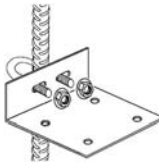
The recorder SWL is as per the standart tests performed on 1.5 mm thick cable ladder. Higher performance detected with thicker materials.

1.5 mm kalınlığındaki tünel tipi kablo merdivenlerinde test edilmiştir.

SWL записаны так же в стандартные испытания 1.5 мм лестниц толстых кабелей.

GE-RCB

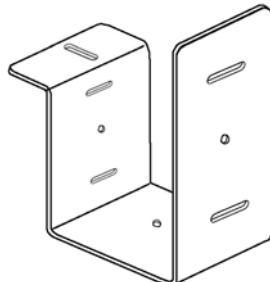
Rock bolt
 Nervürlü demir
 Железные бар для бетона



HDG PG EG SS4 SS6 ESB APB

GE-CAM

Camera mounting bracket
 Kamera montaj konsolu
 Кронштейн для крепления камеры



Manufactured to custom dimensions as per customer requirements.

Ölçüler müşteri ihtiyaçlarına göre belirlenir.

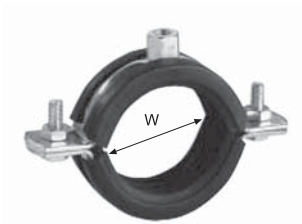
Размеры определяются в соответствии с просьбами заказчика

Material options: Stainless steel AISI 304 (L) (A2) / AISI 316 (L) (A4), ST-37-42 Mild Steel, Corten A, Pregalvanized steel, Aluminum
 Finish options : Hot Dip Galvanized to EN 1461, Electrogalvanized to TS 149, Electrostatic Paint Coated, Prime coated
 See material & finish option charts for available product specific selections.

Support Systems

GE-BKC

Pipe clamp
 Boru kelepçesi
 Трубные зажимы



Part No	T	W	A	L	Nut	Bolt	SWL	Kg
GE-BKC¾	1.5	14-18	20	58.5	8	M5x15	200	0.052
GE-BKC½	1.5	20-24	20	62.5	8	M5x15	200	0.056
GE-BKC¾	1.5	25-30	20	68.5	8	M5x15	200	0.060
GE-BKC1	1.5	32-38	20	76	8	M6x20	200	0.070
GE-BKC1¼	1.5	39-46	20	91.5	8	M6x20	200	0.087
GE-BKC1½	1.5	48-52	20	99	8	M6x20	200	0.096
GE-BKC2	1.5	59-66	20	112	8	M8x25	250	0.110
GE-BKC2½	2	74-80	25	134	10	M8x25	250	0.210
GE-BKC3	2	86-94	25	146.5	10	M8x25	250	0.230
GE-BKC4	2	108-116	25	173	10	M8x25	250	0.310
GE-BKC5	2.5	134-143	25	199	12	M8x25	600	0.360
GE-BKC6	2.5	162-170	25	227	12	M8x25	600	0.400
GE-BKC8	2.5	216-222	25	281	12	M8x25	600	0.530

GE-TRK

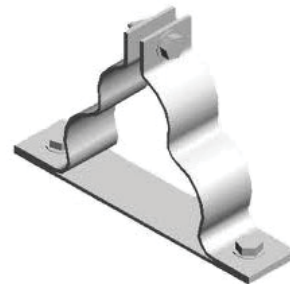
Pipe clamp
 Boru kelepçesi
 Трубные зажимы



Part No	T	W	A	ØxL	Kg
GE-TRK-1	0.8	12-15	20	M6x15	0.06
GE-TRK-2	0.8	16-19	20	M6x15	0.06
GE-TRK-3	0.8	21-23	20	M6x15	0.07
GE-TRK-4	0.8	26-28	20	M6x15	0.08
GE-TRK-5	0.8	32-35	20	M6x15	0.09
GE-TRK-6	1.0	40-43	20	M6x15	0.11
GE-TRK-7	1.0	44-49	20	M6x15	0.11

GE-TRCL

Trefoil clamp
 Kablo kroşesi
 Кабельные фитинги



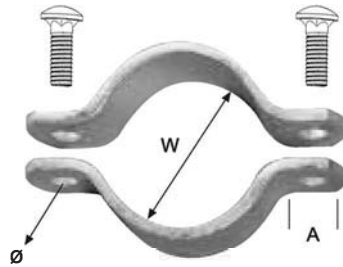
HDG PG EG SS4 SS6

Material options: Stainless steel AISI 304 (L) (A2) / AISI 316 (L) (A4), ST-37-42 Mild Steel, Corten A, Pregalvanized steel, Aluminum
 Finish options : Hot Dip Galvanized to EN 1461, Electrogalvanized to TS 149, Electrostatic Paint Coated, Prime coated
 See material & finish option charts for available product specific selections.

Support Systems

GE-BDK

Pipe clamp
 Boru kelepçesi
 Трубные зажимы



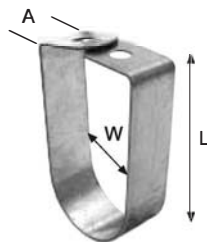
Part No	T	W	A	Ø	Kg
GE-BDK-1	5	20	30	M10	0.16
GE-BDK-2	5	21.3	30	M10	0.16
GE-BDK-3	5	25	30	M10	0.17
GE-BDK-4	5	26.9	30	M10	0.18
GE-BDK-5	5	30	30	M10	0.19
GE-BDK-6	5	33.7	30	M10	0.20
GE-BDK-7	5	38	30	M10	0.21
GE-BDK-8	5	42.4	30	M10	0.23
GE-BDK-9	5	44.5	30	M10	0.25
GE-BDK-10	5	48.3	30	M10	0.26
GE-BDK-11	6	54	40	M10	0.51
GE-BDK-12	6	57	40	M10	0.53
GE-BDK-13	6	60.3	40	M10	0.56
GE-BDK-14	6	70	40	M10	0.60
GE-BDK-15	6	76.1	40	M10	0.64
GE-BDK-16	6	82	40	M10	0.62
GE-BDK-17	6	88.9	40	M10	0.73
GE-BDK-18	6	95	40	M10	0.95
GE-BDK-19	6	102	40	M10	1.48
GE-BDK-20	8	108	50	M12	1.52
GE-BDK-21	8	114.3	50	M12	1.59
GE-BDK-22	8	121	50	M12	1.65
GE-BDK-23	8	133	50	M12	1.71
GE-BDK-24	8	139.7	50	M12	1.81
GE-BDK-25	8	154	50	M12	1.90
GE-BDK-26	8	159	50	M12	1.95
GE-BDK-27	8	168.3	50	M12	1.99
GE-BDK-28	8	180	50	M12	2.15
GE-BDK-29	8	194	50	M12	2.35
GE-BDK-30	8	219.1	50	M12	2.61
GE-BDK-31	8	225	50	M12	2.75
GE-BDK-32	8	245	60	M12	3.44
GE-BDK-33	8	267	60	M12	3.72
GE-BDK-34	8	273	60	M12	3.75
GE-BDK-35	8	280	60	M12	4.00
GE-BDK-36	8	299	60	M12	4.10
GE-BDK-37	8	315	60	M12	4.30
GE-BDK-38	8	323.9	60	M12	4.52
GE-BDK-39	8	355.6	60	M12	4.78
GE-BDK-40	8	368.3	60	M12	4.95

Material options: Stainless steel AISI 304 (L) (A2) / AISI 316 (L) (A4), ST-37-42 Mild Steel, Corten A, Pregalvanized steel, Aluminum
 Finish options : Hot Dip Galvanized to EN 1461, Electrogalvanized to TS 149, Electrostatic Paint Coated, Prime coated
 See material & finish option charts for available product specific selections.

Support Systems

GE-SPL

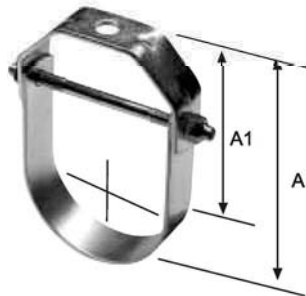
Sprinkler clamp
 Sprinkler kelepçesi
 Трубные зажимы



Part No	T	W	A	L	Ø	SWL	Kg
GE-SPL ¾	1.5	30	25	71	10.5	1.5	0.066
GE-SPL1	1.5	36	25	83	10.5	1.5	0.075
GE-SPL1 ¼	1.5	46	25	95	10.5	1.5	0.088
GE-SPL1 ½	1.5	52	25	103	10.5	1.5	0.094
GE-SPL2	1.5	66	25	118	10.5	1.5	0.106
GE-SPL2 ½	2.5	78	25	142	10.5	3.9	0.208
GE-SPL3	2.5	92	25	166	10.5	3.9	0.236
GE-SPL4	2.5	116	25	209	10.5	3.9	0.284
GE-SPL5	3	142	25	249	13	7.5	0.400
GE-SPL6	3	170	25	284	13	7.5	0.456
GE-SPL8	3	222	25	379	16	13	0.966
GE-SPL10	3	275	25	495	16	13	1.230

GE-BYB

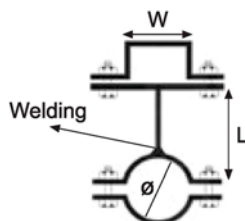
Pipe clamp
 Boru kelepçesi
 Трубные зажимы



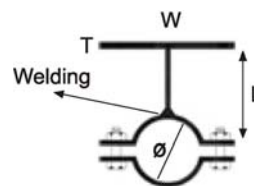
Part No	A	A1	SWL	Kg
GE-BYB-1	133	95	51	0.50
GE-BYB-2	152	101.6	51	0.56
GE-BYB-3	197	137	63	0.78
GE-BYB-4	248	173	63	1.00
GE-BYB-5	298	210	86	1.39
GE-BYB-6	356	341	90	2.18

GE-BFK

Pipe clamp, heavy duty
 Boru kelepçesi, ağır hizmet
 ТРУБНЫЕ ЗАЖИМЫ, большой грузоподъемности



BRACKET SUSPENSION, TYPE A



BRACKET SUSPENSION, TYPE B

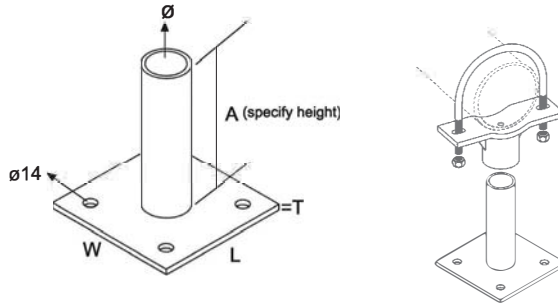


Material options: Stainless steel AISI 304 (L) (A2) / AISI 316 (L) (A4), ST-37-42 Mild Steel, Corten A, Pregalvanized steel, Aluminum
 Finish options : Hot Dip Galvanized to EN 1461, Electrogalvanized to TS 149, Electrostatic Paint Coated, Prime coated
 See material & finish option charts for available product specific selections.

Support Systems

GE-PBS

Base stand (for pipe support)
 Taban ayağı (boru destek için)
 Поддержка



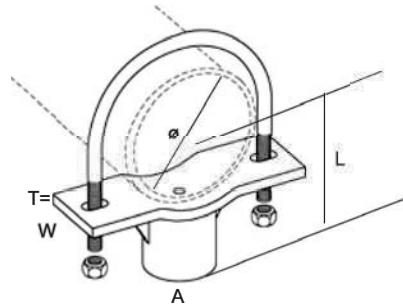
Part No	T	W	A	L	Ø
GE-PBS-1	6	150	V	150	20
GE-PBS-2	6	150	V	150	25
GE-PBS-3	6	150	V	150	32
GE-PBS-4	6	150	V	150	40
GE-PBS-5	6	150	V	150	50
GE-PBS-6	10	200	V	200	65
GE-PBS-7	10	200	V	200	65
GE-PBS-8	10	200	V	200	65
GE-PBS-9	10	300	V	300	65
GE-PBS-10	12	450	V	450	100

V : Variable

EG SS4 SS6

GE-PBST

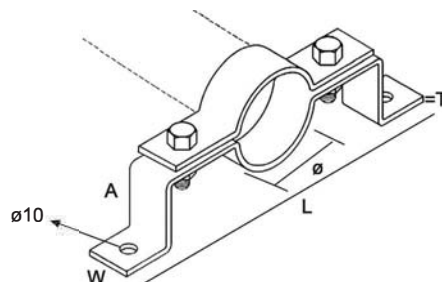
Pipe saddle support
 Boru destek elemanı
 Поддержка



Part No	T	W	A	L	Ø
GE-PBST-1	6	80	40	100	65
GE-PBST-2	6	80	40	105	80
GE-PBST-3	10	90	50	120	100
GE-PBST-4	10	90	50	135	125
GE-PBST-5	10	90	50	176	150

GE-PSBP

Pipe support base
 Boru tabandan destek elemanı
 Поддержка



Part No	T	W	A	L	Ø
GE-PSBP-1	5	30	35	160	50
GE-PSBP-2	5	30	55	190	75
GE-PSBP-3	5	30	70	210	100
GE-PSBP-4	5	30	90	240	125

Material options: Stainless steel AISI 304 (L) (A2) / AISI 316 (L) (A4), ST-37-42 Mild Steel, Corten A, Pregalvanized steel, Aluminum
 Finish options : Hot Dip Galvanized to EN 1461, Electrogalvanized to TS 149, Electrostatic Paint Coated, Prime coated
 See material & finish option charts for available product specific selections.

Support Systems

GE-UBO

U bolt
 U bolt
 У болтов

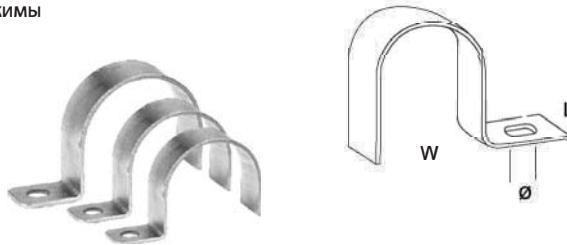


Part No	T	W	A	L	Kg
GE-UBO½	6	24	30	50	0.049
GE-UBO¾	6	30	30	60	0.052
GE-UBO1	8	36	30	70	0.054
GE-UBO1¼	8	46	40	80	0.063
GE-UBO1½	8	52	50	90	0.069
GE-UBO2	10	64	50	100	0.137
GE-UBO2½	10	78	50	120	0.160
GE-UBO3	12	94	60	140	0.270
GE-UBO3½	12	106	65	150	0.280
GE-UBO4	12	118	65	160	0.330
GE-UBO5	12	146	65	200	0.400

EG SS4 SS6

GE-TKBK

Pipe clamp
 Boru kelepçesi
 Трубные зажимы

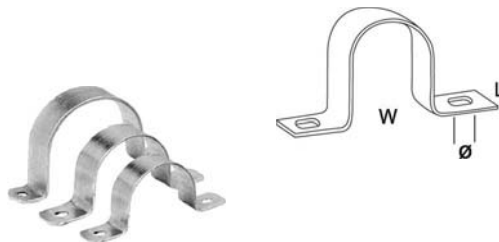


Part No	T	L	W	Ø	Kg
GE-TKBK-1	2	25	½"	9	0.02
GE-TKBK-2	2	25	¾"	9	0.03
GE-TKBK-3	2	25	1"	9	0.05
GE-TKBK-4	2	25	1¼"	9	0.06
GE-TKBK-5	2	25	1½"	9	0.07
GE-TKBK-6	3	30	2"	9	0.09
GE-TKBK-7	3	30	2½"	9	0.10
GE-TKBK-8	3	30	3"	9	0.11
GE-TKBK-9	3	30	4"	9	0.12

HDG EG SS4 SS6

GE-CKBK

Pipe clamp
 Boru kelepçesi
 Трубные зажимы



Part No	T	L	W	Ø	Kg
GE-CKBK-1	2	25	½"	9	0.03
GE-CKBK-2	2	25	¾"	9	0.04
GE-CKBK-3	2	25	1"	9	0.05
GE-CKBK-4	2	25	1¼"	9	0.06
GE-CKBK-5	2	25	1½"	9	0.07
GE-CKBK-6	3	30	2"	9	0.09
GE-CKBK-7	3	30	2½"	9	0.11
GE-CKBK-8	3	30	3"	9	0.13
GE-CKBK-9	3	30	4"	9	0.17

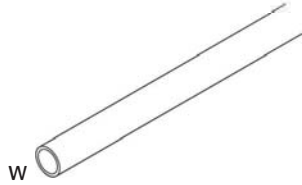
HDG EG SS4 SS6

Material options: Stainless steel AISI 304 (L) (A2) / AISI 316 (L) (A4), ST-37-42 Mild Steel, Corten A, Pregalvanized steel, Aluminum
 Finish options : Hot Dip Galvanized to EN 1461, Electrogalvanized to TS 149, Electrostatic Paint Coated, Prime coated
 See material & finish option charts for available product specific selections.

Support Systems

GE-BO

Galvanized steel conduit
 Galvanizli çelik boru
 Труба

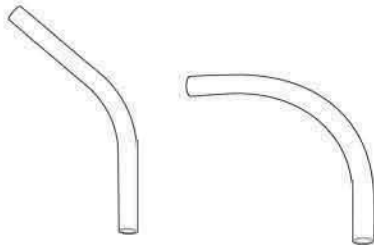


Part No	T	W	L	Kg/m
GE-BO-1	1.5	25	3000	1.00
GE-BO-2	1.5	42	3000	4.60

HDG EG SS4 SS6

GE-BOD

Conduit bend
 Boru dönüş
 Труба

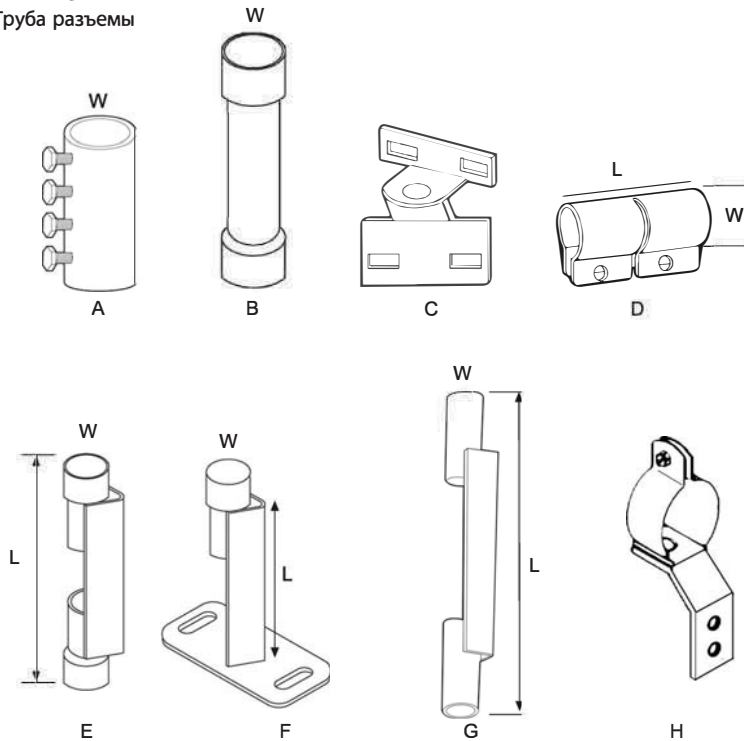


PVC cap
 PVC başlık

Part No	T	W	ø	Kg/m
GE-BOD-1	1	25	90	0.30
GE-BOD-2	1.5	42	90	0.90
GE-BOD-3	1	25	45	0.30
GE-BOD-4	1.5	42	45	0.90

GE-BBP

Conduit connectors
 Boru bağlantıları
 Труба разъемы



Part No	T	W	L	Kg
GE-BBP-D	1.5	30	80	1.00
GE-BBP-A	2	48	120	2.00
GE-BBP-C-1	2	42	80	0.12
GE-BBP-C-2	2	40	100	0.16
GE-BBP-B-1	1	25	120	0.30
GE-BBP-B-2	1.5	42	120	1.10
GE-BBP-E-1	1	30	250	0.25
GE-BBP-E-2	1.5	50	330	0.45
GE-BBP-F-1	1	30	200	0.36
GE-BBP-F-2	1.5	50	250	0.55
GE-BBP-G-1	1	30	250	0.25
GE-BBP-G-2	1.5	50	330	0.45
GE-BBP-H-1	2	-	-	-



Material options: Stainless steel AISI 304 (L) (A2) / AISI 316 (L) (A4), ST-37-42 Mild Steel, Corten A, Pregalvanized steel, Aluminum
 Finish options : Hot Dip Galvanized to EN 1461, Electrogalvanized to TS 149, Electrostatic Paint Coated, Prime coated
 See material & finish option charts for available product specific selections.

U.L. LISTED CONDUITS U.L. ONAYLI BORULAR Трубы из оцинкованной стали



GE-BO-EMT

EMT Galvanized Steel Conduit, non-threaded
 EMT Galvanizli Çelik Boru, dişsiz
 Оцинкованные стальные трубы, беспотоквая



U.L. Listed
 Conforms to NEC regulations.



Part No	Size (")	Size (mm)	Kg	Ø (mm)	T (mm)	Pack
GE-BO-EMT-050	½"	16	1,36	17,90	1,07	10
GE-BO-EMT-075	¾"	21	2,09	23,40	1,25	10
GE-BO-EMT-100	1"	27	3,04	29,40	1,45	5
GE-BO-EMT-125	1 ¼"	35	4,58	38,40	1,65	5
GE-BO-EMT-150	1 ½"	41	5,26	44,20	1,65	1
GE-BO-EMT-200	2"	53	6,71	55,80	1,65	1
GE-BO-EMT-250	2 ½"	63	9,80	73,00	1,83	1
GE-BO-EMT-300	3"	78	11,93	88,90	1,83	1
GE-BO-EMT-350	3 ½"	91	15,83	101,60	2,11	1
GE-BO-EMT-400	4"	103	17,82	114,30	2,11	1

L: 3,05m (10 feet)



U.L. Сертифицированный
 U.L. Onaylı

- IDEAL FOR USE IN BUILDINGS, HOTELS, MALLS.
 - HIGH RESISTIVITY AGAINST FIRE AND HEAT

GE-BO-IMC

IMC Galvanized Steel Conduit, threaded
 IMC Galvanizli Çelik Boru, dişli
 Трубы из оцинкованной стали, резьбовые



U.L. Listed
 Conforms to NEC regulations.



Part No	Size (")	Size (mm)	Kg	Ø (mm)	T (mm)	Pack
GE-BO-IMC-050	½"	16	2,81	20,70	1,80	10
GE-BO-IMC-075	¾"	21	3,81	26,10	1,90	5
GE-BO-IMC-100	1"	27	5,40	32,80	2,20	5
GE-BO-IMC-125	1 ¼"	35	7,17	41,60	2,20	1
GE-BO-IMC-150	1 ½"	41	8,80	47,80	2,30	1
GE-BO-IMC-200	2"	53	11,61	59,90	2,40	1
GE-BO-IMC-250	2 ½"	63	20,00	72,60	3,50	1
GE-BO-IMC-300	3"	78	24,63	88,30	3,50	1
GE-BO-IMC-350	3 ½"	91	28,53	100,90	3,50	1
GE-BO-IMC-400	4"	103	31,75	113,40	3,50	1
GE-BO-RSC-500	5"	129	63,49	141,30	6,20	1
GE-BO-RSC-600	6"	155	83,45	168,30	6,80	1

L: 3,05m (10 feet)



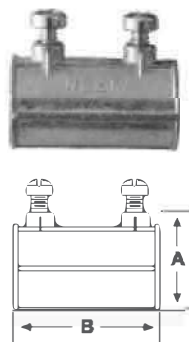
U.L. Сертифицированный
 U.L. Onaylı

- IDEAL FOR USE IN REFINERIES, OIL & GAS SITES
 - HIGH RESISTIVITY AGAINST FIRE AND HEAT

Material options: Stainless steel AISI 304 (L) (A2) / AISI 316 (L) (A4), ST-37-42 Mild Steel, Corten A, Pregalvanized steel, Aluminum
 Finish options : Hot Dip Galvanized to EN 1461, Electrogalvanized to TS 149, Electrostatic Paint Coated, Prime coated
 See material & finish option charts for available product specific selections.

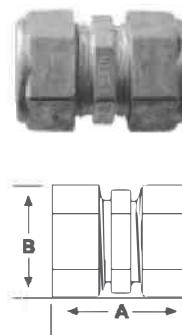


GE-TC (511 – 520)
 Zinc Set Screw Couplings
 Vidali Muf
 Труба объединяющей



Part No	Size (")	A (")	B (")
GE-TC-511	½"	1,02	1,57
GE-TC-512	¾"	1,28	1,94
GE-TC-513	1"	1,53	2,27
GE-TC-514	1 ¼"	1,99	2,63
GE-TC-515	1 ½"	2,23	2,94
GE-TC-516	2"	2,69	3,5
GE-TC-517	2 ½"	3,26	4,01
GE-TC-518	3"	3,9	4,51
GE-TC-519	3 ½"	4,46	5,00
GE-TC-520	4"	4,97	5,26
GE-TC-611	½"	1,02	0,95
GE-TC-612	¾"	1,66	1,26
GE-TC-613	1"	2,02	1,50
GE-TC-614	1 ¼"	2,18	1,92
GE-TC-615	1 ½"	3,10	2,25
GE-TC-616	2"	3,06	2,75
GE-TC-617	2 ½"	3,63	3,27
GE-TC-618	3"	3,52	3,89
GE-TC-619	3 ½"	3,77	4,40
GE-TC-620	4"	4,06	4,89

GE-TC (611 – 620)
 Compression Couplings
 Sıkmalı Muf
 Труба объединяющей

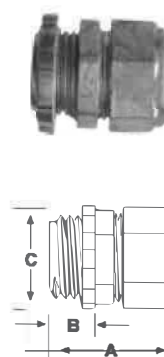


Part No	Size (")	A (")	B (")	C (")
GE-TC-501	½"	1,12	0,37	1,04
GE-TC-502	¾"	1,37	0,37	1,27
GE-TC-503	1"	1,49	0,49	1,54
GE-TC-504	1 ¼"	1,97	0,59	1,97
GE-TC-505	1 ½"	2,26	0,74	2,24
GE-TC-506	2"	2,50	0,74	2,67
GE-TC-507	2 ½"	3,10	1,07	3,27
GE-TC-508	3"	3,31	1,60	3,91
GE-TC-509	3 ½"	3,56	1,03	4,51
GE-TC-510	4"	3,76	1,11	4,97
GE-TC-601	½"	1,27	0,42	1,95
GE-TC-602	¾"	1,25	0,42	1,23
GE-TC-603	1"	1,59	0,54	1,49
GE-TC-604	1 ¼"	1,63	0,58	1,93
GE-TC-605	1 ½"	2,30	0,74	2,25
GE-TC-606	2"	2,43	0,74	2,75
GE-TC-607	2 ½"	2,86	0,99	3,29
GE-TC-608	3"	2,90	1,01	3,89
GE-TC-609	3 ½"	2,95	1,10	4,39
GE-TC-610	4"	2,73	1,00	4,95

GE-TC (501 - 510)
 Zinc Set Screw Connectors
 Sıkmalı Rakor
 Труба объединяющей



GE-TC (601 - 610)
 Compression Connectors
 Sıkmalı Rakor
 Труба объединяющей

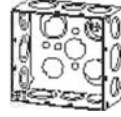


Material options: Stainless steel AISI 304 (L) (A2) / AISI 316 (L) (A4), ST-37-42 Mild Steel, Corten A, Pregalvanized steel, Aluminum
Finish options : Hot Dip Galvanized to EN 1461, Electrogalvanized to TS 149, Electrostatic Paint Coated, Prime coated
See material & finish option charts for available product specific selections.

INDOOR BOXES DAHİLİ BUATLAR



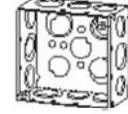
TP-432
(4SD-3/4)



ŞEKİL (SHAPE)	: Derin Tip Kare Çelik Buat
EBAT (SIZES)	: 102x102x54 mm
HACİM (VOLUME)	: 30.3 cu inch
PATLAMA DELİKLERİ (inch)	: 8x3/4" + 2x1/2" + 2x1/2"&3/4"E (KNOCKOUTS)



TP-436
(4SD-1)



ŞEKİL (SHAPE)	: Derin Tip Kare Çelik Buat
EBAT (SIZES)	: 102x102x54 mm
HACİM (VOLUME)	: 30.3 cu inch
PATLAMA DELİKLERİ (inch)	: 8x1" + 2x1/2" + 2x1/2"&3/4"E (KNOCKOUTS)



TP-224
(222-OW)



ŞEKİL (SHAPE)	: Dikdörtgen Alçıpan Tipi Buat
EBAT (SIZES)	: 76x51x54 mm
HACİM (VOLUME)	: 30.5 cu inch
PATLAMA DELİKLERİ (inch)	: 7x1/2" (KNOCKOUTS)



TP-294
(4OD-SPL)



ŞEKİL (SHAPE)	: Derin Tip Çelik Sekizgen Buat
EBAT (SIZES)	: 102x102x54 mm
HACİM (VOLUME)	: 21.5 cu inch
PATLAMA DELİKLERİ (inch)	: 4x1" + 3x1/2" + 2x3/4" (KNOCKOUTS)



TP-278
(4O-SPL)



ŞEKİL (SHAPE)	: Yuvarlak Çelik Buat
EBAT (SIZES)	: 102x102x38 mm
HACİM (VOLUME)	: 15.5 cu inch
PATLAMA DELİKLERİ (inch)	: 5x1/2" + 4x3/4" (KNOCKOUTS)



TP-328
(8413)



ŞEKİL (SHAPE)	: Yuvarlak Düz kapak
EBAT (SIZES)	: 102x102 mm
PATLAMA DELİKLERİ (inch)	: 1x1/2" (KNOCKOUTS)



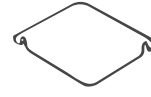
TP-414
(4S-SPL-DR)



ŞEKİL (SHAPE)	: Kare Çelik Buat
EBAT (SIZES)	: 102x102x38 mm
HACİM (VOLUME)	: 21.0 cu inch
PATLAMA DELİKLERİ (inch)	: 11x1/2" + 6x3/4" (KNOCKOUTS)



TP-472 (8465)
(TP-478 (8474))

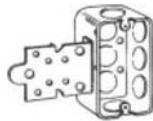


ŞEKİL (SHAPE)	: Kare Düz kapak/Kare Delikli Kapak
EBAT (SIZES)	: 102x102 mm
PATLAMA DELİKLERİ (inch)	: 1x1/2" (KNOCKOUTS)

UTILITY BOXES-4"x 2 1/8"



TP588
(TP647-1 1/4 Deep)



TP591



TP592, TP600,
TP602



TP598
(TP605-2 1/8 Deep)



TP594, TP596,
TP604, TP606,
TP595 (4 1/8 x 2 3/8)

KNOCKOUTS

Product Number	Bracket	Sides	Bottom
1 1/2" DEEP - 10.3 CUBIC INCH CAPACITY			
TP588	—	8-1/2"	3-1/2"
TP591 "F", Set 1/2"	—	5-1/2"	3-1/2"
1 1/2" DEEP EXTENSION RINGS - 10.3 CUBIC INCH CAPACITY			
TP592	—	8-1/2"	—
1 7/8" DEEP - 13.0 CUBIC INCH CAPACITY			
TP594	—	8-1/2"	3-1/2"
TP596	—	6-3/4"	3-1/2"
TP598 "S", SET 1/2"	—	5-1/2"	3-1/2"
EXTENSION RINGS			
TP600	—	8-1/2"	—
TP602	—	6-3/4"	—
2 1/8" DEEP - 14.5 CUBIC INCH CAPACITY			
TP604	—	8-1/2"	3-1/2"
TP606	—	6-3/4"	3-1/2"
TP605 "S", Set 1/2"	—	5-1/2"	3-1/2"
TP595 (18.3 Cu In. Capacity)	—	8-1/2"	3-1/2"

Material options: Stainless steel AISI 304 (L) (A2) / AISI 316 (L) (A4), ST-37-42 Mild Steel, Corten A, Pregalvanized steel, Aluminum
 Finish options : Hot Dip Galvanized to EN 1461, Electrogalvanized to TS 149, Electrostatic Paint Coated, Prime coated
 See material & finish option charts for available product specific selections.

PVC Kaplı Galveniz Çelik Spiral Boru Ağır Hizmet Tipi / PVC Coated Galvanised Steel Spiral Pipe Heavy Duty

Kod / Code	Anma Ölçüsü / Size	İç Çap / Inside Diameter (mm)	Dış Çap / Outer Diameter (mm)	Ambalaj Miktarı / Packing Qty. (mt)
GE-EF-10	1/4"	10,0	15,0	30
GE-EF-12	3/8"	12,0	18,0	30
GE-EF-16	1/2"	15,5	21,5	30
GE-EF-21	3/4"	20,5	27,0	30
GE-EF-27	1"	26,5	33,0	30
GE-EF-35	1 1/4"	34,5	43,0	15
GE-EF-40	1 1/2"	39,5	48,0	15
GE-EF-50	2"	50,5	60,0	15
GE-EF-65	2 1/2"	65,0	72,0	7,5
GE-EF-75	3"	75,0	87,0	7,5



Çelik Tel Örgülü PVC Kaplı Spiral Boru / Steel Wire Braided PVC Coated Spiral Pipe

Kod / Code	Anma Ölçüsü / Size	İç Çap / Inside Diameter (mm)	Dış Çap / Outer Diameter (mm)	Ambalaj Miktarı / Packing Qty. (mt)
GE-PTS-09	PG 9	10,0	16,0	50
GE-PTS-12	PG 11	12,0	18,0	50
GE-PTS-16	PG 16	15,5	22,0	50
GE-PTS-21	PG 21	20,5	29,0	50
GE-PTS-27	PG 29	26,5	33,0	25
GE-PTS-35	PG 36	34,5	41,0	25
GE-PTS-40	PG 42	39,5	48,0	25
GE-PTS-50	PG 48	50,5	60,0	25
GE-PTS-63	-	65,0	72,0	10
GE-PTS-75	-	75,0	87,0	10
GE-PTS-100	-	102,0	114,0	10



Çelik Tel Örgülü Spiral Boru / Steel Wire Braided Spiral Pipe

Kod / Code	Anma Ölçüsü / Size	İç Çap / Inside Diameter (mm)	Dış Çap / Outer Diameter (mm)	Ambalaj Miktarı / Packing Qty. (mt)
GE-CTS-09	1/4"	10,0	16,0	50
GE-CTS-12	3/8"	12,0	16,0	50
GE-CTS-16	1/2"	15,5	19,0	50
GE-CTS-21	3/4"	20,5	27,0	50
GE-CTS-27	1"	26,5	35,0	25
GE-CTS-35	1 1/4"	34,5	42,0	25
GE-CTS-40	1 1/2"	39,5	48,0	25
GE-CTS-50	2"	50,5	60,0	25
GE-CTS-63	2 1/2"	65,0	71,0	10
GE-CTS-75	3"	75,0	86,0	10
GE-CTS-100	4"	102,0	112,0	10



Çelik Spiral Boru Klavuz Telli / Steel Spiral Pipe with Wire

Kod / Code	Dış Çap / Outer Diameter (mm)	NPT Ölçü	Ambalaj Miktarı / Packing Qty. (mt)
GE-CGS-211	11	3/8"	50
GE-CGS-214	14		50
GE-CGS-216	16	1/2"	50
GE-CGS-218	18		50
GE-CGS-221	21	3/4"	50
GE-CGS-226	26	1"	25
GE-CGS-229	29		25
GE-CGS-232	32		25
GE-CGS-235	35	1 1/4"	25
GE-CGS-237	37		25



Material options: Stainless steel AISI 304 (L) (A2) / AISI 316 (L) (A4), ST-37-42 Mild Steel, Corten A, Pregalvanized steel, Aluminum
 Finish options : Hot Dip Galvanized to EN 1461, Electrogalvanized to TS 149, Electrostatic Paint Coated, Prime coated
 See material & finish option charts for available product specific selections.

Çelik Spiral Boru / Steel Spiral Pipe

Kod / Code	İç Çap / Inside Diameter (mm)	NPT Ölçü	Ambalaj Miktarı / Packing Qty. (mt)
GE-CGS-07	7		50
GE-CGS-09	9	1/4"	50
GE-CGS-11	11	3/8"	50
GE-CGS-14	14		50
GE-CGS-16	16	1/2"	50
GE-CGS-18	18		50
GE-CGS-21	21	3/4"	50
GE-CGS-26	26	1"	25
GE-CGS-29	29		25
GE-CGS-32	32		25
GE-CGS-35	35	1 1/4"	25
GE-CGS-37	37		25
GE-CGS-40	40	1 1/2"	25
GE-CGS-42	42		25
GE-CGS-45	45		25
GE-CGS-50	50	2"	25
GE-CGS-63	63	2 1/2"	25
GE-CGS-78	78	3"	25
GE-CGS-102	102	4"	25



PVC Kaplı Çelik Spiral Boru Klavuz Telli / PVC Coated Steel Spiral Pipe with Wire

Kod / Code	Dış Çap / Outer Diameter (mm)	NPT Ölçü	Ambalaj Miktarı / Packing Qty. (mt)
GE-PGS-211	11	3/8"	50
GE-PGS-214	14		50
GE-PGS-216	16	1/2"	50
GE-PGS-218	18		50
GE-PGS-221	21	3/4"	50
GE-PGS-226	26	1"	25
GE-PGS-229	29		25
GE-PGS-232	32		25
GE-PGS-235	35	1 1/4"	25
GE-PGS-237	37		25



PVC Kaplı Çelik Spiral Boru / PVC Coated Steel Spiral Pipe

Kod / Code	Dış Çap / Outer Diameter (mm)	NPT Ölçü	Ambalaj Miktarı / Packing Qty. (mt)
GE-PGS-07	7		50
GE-PGS-09	9	1/4"	50
GE-PGS-11	11	3/8"	50
GE-PGS-14	14		50
GE-PGS-16	16	1/2"	50
GE-PGS-16	18		50
GE-PGS-21	21	3/4"	50
GE-PGS-26	26	1"	25
GE-PGS-29	29		25
GE-PGS-32	32		25
GE-PGS-35	35	1 1/4"	25
GE-PGS-37	37		25
GE-PGS-40	40	1 1/2"	25
GE-PGS-42	42		25
GE-PGS-45	45		25
GE-PGS-50	50	2"	25
GE-PGS-63	63	2 1/2"	25
GE-PGS-78	78	3"	25
GE-PGS-102	102	4"	25



Material options: Stainless steel AISI 304 (L) (A2) / AISI 316 (L) (A4), ST-37-42 Mild Steel, Corten A, Pregalvanized steel, Aluminum
 Finish options : Hot Dip Galvanized to EN 1461, Electrogalvanized to TS 149, Electrostatic Paint Coated, Prime coated
 See material & finish option charts for available product specific selections.

Pirinç Nikel Kaplı Sabit Tip Spiral Rakoru IP54 / Nickel Plated Brass Spiral Gland Fixed Type IP54

Kod / Code	PG	Spiral Ölçüsü / Size
GE-SPR-09	PG9	1/4"
GE-SPR-11	PG11	3/8"
GE-SPR-13	PG13,5	1/2"
GE-SPR-16	PG16	1/2"
GE-SPR-21	PG21	3/4"
GE-SPR-29	PG29	1"
GE-SPR-36	PG36	1 1/4"
GE-SPR-42	PG42	1 1/2"
GE-SPR-48	PG48	2"

Kod / Code	Metrik Diş	Spiral Ölçüsü / Size
GE-SMR-16	M16x1,5	1/4"
GE-SMR-16F	M16x1,5	3/8"
GE-SMR-20	M20x1,5	1/2"
GE-SMR-20F	M20x1,5	1/2"
GE-SMR-25	M25x1,5	3/4"
GE-SMR-32	M32x1,5	1"
GE-SMR-40	M40x1,5	1 1/4"
GE-SMR-50	M50x1,5	1 1/2"
GE-SMR-63	M63x1,5	2"

Kod / Code	NPT Diş	Spiral Ölçüsü / Size
GE-NSR-14	1/4"	1/4"
GE-NSR-38	3/8"	3/8"
GE-NSR-12	1/2"	1/2"
GE-NSR-12S	1/2"	5/8"
GE-NSR-34	3/4"	3/4"
GE-NSR-100	1"	1"
GE-NSR-114	1 1/4"	1 1/4"
GE-NSR-112	1 1/2"	1 1/2"
GE-NSR-200	2"	2"



Pirinç Nikel Kaplı Spiral Boru Rakoru Erkek Tip - Ağır Hizmet (IP68) / Nickel Plated Brass Spiral Gland Male Type - Heavy Duty IP68

Kod / Code	PG	Spiral Ölçüsü / Size
GE-BBFP-09	PG9	1/4"
GE-BBFP-11	PG11	3/8"
GE-BBFP-14	PG13,5	1/2"
GE-BBFP-16	PG16	1/2"
GE-BBFP-21	PG21	3/4"
GE-BBFP-29	PG29	1"
GE-BBFP-36	PG36	1 1/4"
GE-BBFP-42	PG42	1 1/2"
GE-BBFP-48	PG48	2"

Kod / Code	Metrik Diş	Spiral Ölçüsü / Size
GE-BBFM-16	M16x1,5	1/4"
GE-BBFM-16F	M16x1,5	3/8"
GE-BBFM-20	M20x1,5	1/2"
GE-BBFM-20F	M20x1,5	1/2"
GE-BBFM-25	M25x1,5	3/4"
GE-BBFM-32	M32x1,5	1"
GE-BBFM-40	M40x1,5	1 1/4"
GE-BBFM-50	M50x1,5	1 1/2"
GE-BBFM-63	M63x1,5	2"

Kod / Code	NPT Diş	Spiral Ölçüsü / Size
GE-BBFN-01	1/4"	1/4"
GE-BBFN-02	3/8"	3/8"
GE-BBFN-03	1/2"	1/2"
GE-BBFN-03F	1/2"	1/2"
GE-BBFN-04	3/4"	3/4"
GE-BBFN-05	1"	1"
GE-BBFN-06	1 1/4"	1"
GE-BBFN-07	1 1/2"	1 1/4"
GE-BBFN-08	2"	2"



Nikel Kaplı Pirinç Spiral Boru Rakoru Dişi Tip (IP68) / Nickel Plated Brass Spiral Gland Female Type IP68

Kod / Code	PG	Spiral Ölçüsü / Size
GE-FMPG-09	PG9	1/4"
GE-FMPG-11	PG11	3/8"
GE-FMPG-13	PG13,5	1/2"
GE-FMPG-16	PG16	1/2"
GE-FMPG-21	PG21	3/4"
GE-FMPG-29	PG29	1"
GE-FMPG-36	PG36	1 1/4"
GE-FMPG-42	PG42	1 1/2"
GE-FMPG-48	PG48	2"

Kod / Code	Metrik Diş	Spiral Ölçüsü / Size
GE-FMNT-12	M12x1,5	1/4"
GE-FMNT-16	M16x1,5	3/8"
GE-FMNT-16F	M16x1,5	1/2"
GE-FMNT-20	M20x1,5	1/2"
GE-FMNT-25	M25x1,5	3/4"
GE-FMNT-32	M32x1,5	1"
GE-FMNT-40	M40x1,5	1 1/4"
GE-FMNT-50	M50x1,5	1 1/2"
GE-FMNT-63	M63x1,5	2"

Kod / Code	NPT Diş	Spiral Ölçüsü / Size
GE-FMNT-01	1/4"	1/4"
GE-FMNT-02	3/8"	3/8"
GE-FMNT-03	1/2"	1/2"
GE-FMNT-03F	1/2"	1/2"
GE-FMNT-04	3/4"	3/4"
GE-FMNT-05	1"	1"
GE-FMNT-06	1 1/4"	1 1/4"
GE-FMNT-07	1 1/2"	1 1/2"
GE-FMNT-08	2"	2"



Pirinç Rakor Ip55 / Brass Cable Gland Ip55

Kod / Code	Diş Ölçüsü / Size	Kablo Çapı / Cable Diameter (Min-Max) mm	Kutu Adedi / Box Qty
GE-RRG-09	PG9	6,0 - 9,0	100
GE-RRG-11	PG11	7,0 - 10,0	100
GE-RRG-13,5	PG13,5	8,0 - 12,0	100
GE-RRG-16	PG16	10,0 - 14,0	100
GE-RRG-21	PG21	14,0 - 20,0	100
GE-RRG-25	PG25	20,0 - 24,0	100
GE-RRG-29	PG29	24,0 - 29,0	50
GE-RRG-36	PG36	30,0 - 35,0	50
GE-RRG-42	PG42	35,0 - 40,0	10
GE-RRG-48	PG48	40,0 - 45,0	10
GE-RRG-55	PG55	45,0 - 50,0	10



Material options: Stainless steel AISI 304 (L) (A2) / AISI 316 (L) (A4), ST-37-42 Mild Steel, Corten A, Pregalvanized steel, Aluminum
 Finish options : Hot Dip Galvanized to EN 1461, Electrogalvanized to TS 149, Electrostatic Paint Coated, Prime coated
 See material & finish option charts for available product specific selections.

Stands

INSTRUMENTATION STANDS AND PIPE SUPPORTS

Instrumentation stands and pipe supports are manufactured as per project specifications and dimensions. GERPAAS offers a variety of material and finish options for this product line including stainless steel grades (A2 /A4), hot dip galvanized, electro galvanized, Electrostatic paint coated, prime coated.

ENSTRUMENTASYON STANDLARI VE BORU DESTEKLERİ

Enstrumantasyon standları ve boru destekleri proje özelliklerine ve ölçülerine göre üretilmektedir. GERPAAS bu ürün grubunu birçok malzeme ve kaplama seçeneğinde sunmaktadır; sıcak daldırma galvaniz, elektro galvaniz, paslanmaz çelik AISI 304, AISI 316(L), Elektrostatik boyalı gibi.

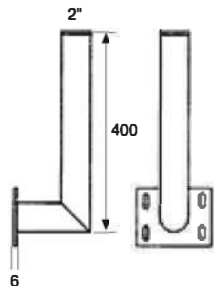
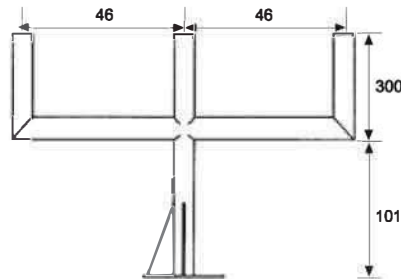
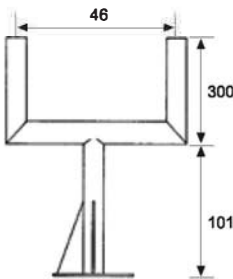
Инструментальные стелды и опор трубопроводов

Инструментальные стелды и опор трубопроводов производятся в соответствии с проектным спецификациям и размеры. GERPAAS предлагает широкий выбор материалов и отделки варианта этой линейки продуктов в том числе нержавеющей сталей (A2 / A4), горячее цинкование, электро оцинкованные, Электростатический краской, премьер-покрытием.



AREAS OF USE

- Oil & Gas Refineris
- LNG Refineris
- Chemical Plants
- Uranium Plants
- Oil Rigs
- Offshore Platforms
- GSM Substations
- Production Plants
- Warehouses
- Piping Zones
- Tribunes
- And more...



Material options: Stainless steel AISI 304 (L) (A2) / AISI 316 (L) (A4), ST-37-42 Mild Steel, Corten A, Pregalvanized steel, Aluminum
 Finish options : Hot Dip Galvanized to EN 1461, Electrogalvanized to TS 149, Electrostatic Paint Coated, Prime coated
 See material & finish option charts for available product specific selections.

Stands

We provide custom solutions for your instrumentation and electrical projects!

With our experience and expertise in steel fabrication works, we offer tailor-made solutions for your stand and pipe support requirements as per your requirements. With our diverse material and finish options we can solve your custom product needs.

Enstrümantasyon ve elektrik projeleriniz için özel çözümler sunuyoruz!

Elektrik ve enstrümantasyon projelerinizde stand ve boru destek üniteleri ihtiyaçlarınızı karşılamaktayız. Zengin metal malzeme ve kaplama seçenekleri ile yurtiçi ve yurtdışı projelerde şartnamelere uygun kaliteli ve ekonomik çözümler sunuyoruz. Detaylı bilgi için firmamızla irtibata geçiniz.

Мы предлагаем индивидуальные решения для электрических приборов и проектов

С нашим опытом и знаниями в стальном производстве работ, мы предлагаем индивидуальные Решения для Вашего стэнда и труб поддержку требований в соответствии с вашими требованиями. С нашим разнообразного материала и отделки вариантов, мы можем решить ваш продукт пользовательских потребностей.

Ideal Corrosion Protection

Many material and finish options exist for corrosion protection and we offer our clients these methods with high quality services.

These include the following :

Hot dip galvanizing as per EN 1461, electro galvanizing, and also painting options including electro static powder coating, prime coating. Additionally stainless steel grades of AISI 304(A2) and AISI 316 (A4) are available instandard.

Korozyona karşı ideal koruma

Korozyondan korunmak için birçok malzeme ve kaplama seçeneği mevcuttur.

Kaplama yöntemlerimiz şunlardır;

Sıcak daldırma galvaniz EN 1461, elektro galvaniz ve elektro statik toz boya.

Malzeme seçenekleri;

AISI 304 (A2) ve AISI 316 (A4) kalite paslanmaz çelik.

Идеальная защита от коррозии

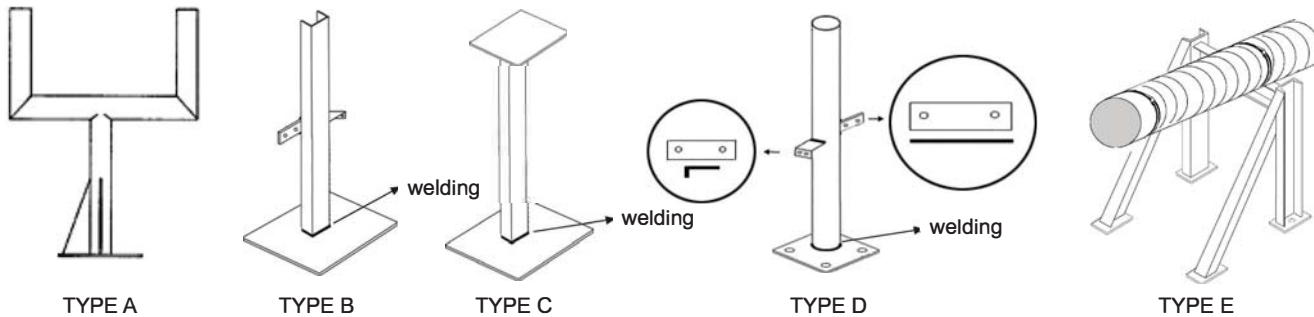
Много материальных и закончить существуют возможности для защиты от коррозии, и мы предлагаем нашим клиентам эти методы с высоким качеством услуг.

К ним относятся следующие; Горячего цинкования в соответствии с EN 1461,

электро цинкования, а также картины варианты, включая электро статический

порошковое покрытие, грунтовка. Кроме того нержавеющей марок сталей по AISI

304 (A2) и AISI 316 (A4) доступны в стандартной.



Material options: Stainless steel AISI 304 (L) (A2) / AISI 316 (L) (A4), ST-37-42 Mild Steel, Corten A, Pregalvanized steel, Aluminum
 Finish options : Hot Dip Galvanized to EN 1461, Electrogalvanized to TS 149, Electrostatic Paint Coated, Prime coated
 See material & finish option charts for available product specific selections.

Stands

Chassis for junction Boxes and Instrumentation

Fabrication for chassis for junction boxes and instrumentation is available upon request.

Dimensions vary according to project specifications. Junction boxes are shown on the drawings for illustration purposes. Hot dip galvanized and stainless steel material & finish options offered. Also electrostatic paint coating is available upon request.

Elektrik Panoları ve Enstrumantasyon Şasileri

Elektrik ve enstrumantasyon projelerinizde stand ve boru destek üniteleri ihtiyaçlarınızı karşılamaktayız. Zengin metal malzeme ve kaplama seçenekleri ile yurtiçi ve yurtdışı projelerde şartnamelere uygun kaliteli ve ekonomik çözümler sunuyoruz. Detaylı bilgi için firmamızla iletişime geçiniz.

Шасси для Распределительные коробки и оборудование

Мы, производство стали и нержавеющей стали для шасси Распределительные коробки в соответствии с требованиями заказчика.

К ним относятся следующие; Горячего цинкования в соответствии с EN 1461, электро цинкования, а также картины варианты, включая электро статический порошок покрытие, грунтовка. Кроме того нержавеющей марок сталей по AISI 304 (A2) и AISI 316 (A4) доступны в стандартной.

High Quality and Cost Effective Solutions

Small parts of junction box supports like sun shades, earthing parts, and similar items can be delivered with or without preassembly.

CAD drawings or blue prints of the parts can be used where required.

Elektrik Panoları ve Enstrumantasyon Şasileri için Yüksek Kaliteli ve Düşük Maliyetli Etkin Çözümler

Korozyondan korunmak için birçok malzeme ve kaplama seçeneği mevcuttur.

Kaplama yöntemlerimiz şunlardır; Sıcak daldırma galvaniz EN 1461, elektro galvaniz ve elektro statik toz boya.

Malzeme seçenekleri; AISI 304 (A2) ve AISI 316 (A4) kalite paslanmaz çelik.

Высокое качество и экономические эффективные решения

Малые частей распределительной коробки поддерживает как штор, заземление частей, и другие аналогичные предметы могут быть доставлены с или без preassembly.

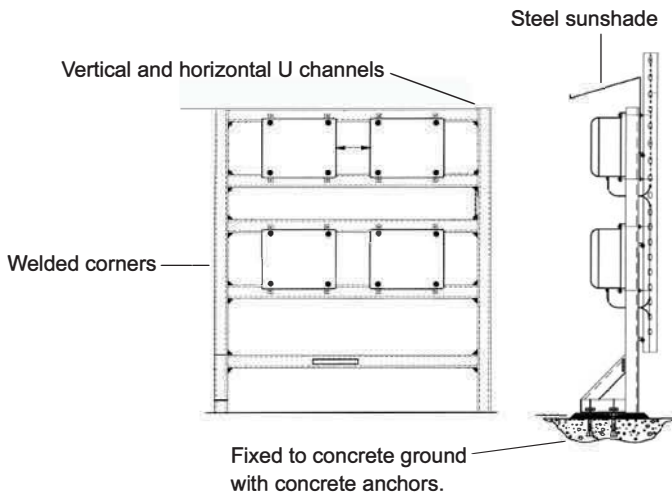
CAD чертежи или синие отпечатки части могут быть использованы в случае необходимости.



Continuous welded



Steel chassis can be fabricated in custom dimensions as per customer requirements.



GERPAAS®



Accessories
Aksesuarlar
Электрические аксессуары



Material options: Stainless steel AISI 304 (L) (A2) / AISI 316 (L) (A4), ST-37-42 Mild Steel, Corten A, Pregalvanized steel, Aluminum
 Finish options : Hot Dip Galvanized to EN 1461, Electrogalvanized to TS 149, Electrostatic Paint Coated, Prime coated
 See material & finish option charts for available product specific selections.

Fasteners & Accessories

GE-KC

Bolt
 Civata
 винтового



EG SS4

Part No	Size	Kg	Pack
GE-KC-1	6x12	0.010	2000
GE-KC-2	8x15	0.015	2000
GE-KC-3	8x20	0.018	2000

GE-HXC Hexagonal

head bolt
 Altı köşe başlı civata
 Болт



EG SS4

Part No	Size	Kg	Pack
GE-HXC-620	6x20	0.02	2000
GE-HXC-825	8x25	0.04	1000
GE-HXC-835	8x35	0.05	1000
GE-HXC-1020	10x20	0.09	1000
GE-HXC-1035	10x35	0.09	1000
GE-HXC-1235	12x35	0.11	1000

GE-S

Nut
 Somun
 Редукции



EG SS4

Part No	Size	Kg	Pack
GE-S-6	M6	0.003	1000
GE-S-8	M8	0.005	1000
GE-S-10	M10	0.012	1000
GE-S-12	M12	0.017	1000

GE-PUL

Washer
 Pul
 Редукции



EG SS4

Part No	Size	Kg	Pack
GE-PUL-6	M6	0.001	1000
GE-PUL-8	M8	0.002	1000
GE-PUL-10	M10	0.005	1000
GE-PUL-12	M12	0.007	1000

GE-PULR

Spring washer
 Yaylı rondela
 пружинная шайба



EG SS4

Part No	Size	Kg	Pack
GE-PULR-6	M6	0.001	1000
GE-PULR-8	M8	0.002	1000
GE-PULR-10	M10	0.005	1000
GE-PULR-12	M12	0.007	1000

GE-PULT

Lock washer
 Tırtırlı pul
 Шайба стопорная



EG SS4

Part No	Size	Kg	Pack
GE-PULT-6	M6	0.001	1000
GE-PULT-8	M8	0.002	1000
GE-PULT-10	M10	0.005	1000
GE-PULT-12	M12	0.007	1000

GE-US

Long nut
 Uzun somun
 Длинный гайка



EG SS4

Part No	Size	Kg	Pack
GE-US-6	6x30	0.030	500
GE-US-8	8x30	0.030	500
GE-US-10	10x50	0.050	500
GE-US-12	12x50	0.070	500

GE-GCD

Sleeve Anchor
 Gömleklı çelik dübel
 монтажный болт



EG SS4

Part No	Size	Kg	Pack
GE-GCD-1	8x55	0.050	1000
GE-GCD-2	8x75	0.060	1000
GE-GCD-3	10x90	0.085	500
GE-GCD-4	10x110	0.103	500
GE-GCD-5	12x90	0.115	500
GE-GCD-6	12x110	0.135	500

GE-KCD

Through bolt Klipsli
 çelik dübel
 монтажный болт



EG SS4

Part No	Size	Kg	Pack
GE-KCD-1	8x80	0.050	1000
GE-KCD-2	10x90	0.075	1000
GE-KCD-3	12x110	0.120	500

Material options: Stainless steel AISI 304 (L) (A2) / AISI 316 (L) (A4), ST-37-42 Mild Steel, Corten A, Pregalvanized steel, Aluminum
 Finish options : Hot Dip Galvanized to EN 1461, Electrogalvanized to TS 149, Electrostatic Paint Coated, Prime coated
 See material & finish option charts for available product specific selections.

Fasteners & Accessories

GE-KAT

Tij
Thread rod
Гихон



EG SS4

Part No	Size	Kg	Pack
GE-KAT-1	8x200	0.06	1
GE-KAT-2	8x500	0.15	1
GE-KAT-3	8x1000	0.30	1
GE-KAT-4	8x2000	0.60	1
GE-KAT-5	10x1000	0.48	1
GE-KAT-6	10x3000	1.45	1
GE-KAT-7	12x1000	0.70	1
GE-KAT-8	12x3000	2.10	1
GE-KAT-9	14x1000	0.90	1
GE-KAT-10	14x3000	2.70	1

GE-LCN

PVC strip
PVC conta
Резиновые прокладки



Part No	Size	Kg	Pack
GE-LCN1	-	-	1

GE-LCND

PVC strip double
PVC conta, çiftli
Резиновые прокладки



Part No	Size	Kg	Pack
GE-LCND-1	-	-	1

GE-SPRAY1

Zinc spray
Çinko sprej
Спрей цинка



Part No	Size	Kg	Pack
GE-SPRAY	400 ml	0.40	12

GE-K

Pin
Kupilya
ШТИФТ



Part No	Size	Kg	Pack
GE-K	8x75	0.03	1

GE-BFEC-1

Rounded flexible earth bar, Copper(Cu)
Yuvarlak esnek bara, Bakır
Провод



Part No	mm ²	Ø	L
GE-BFEC-1-10	10	9	150
GE-BFEC-1-16	16	11	200
GE-BFEC-1-35	35	11	250
GE-BFEC-1-50	50	11	300

GE-BFEC-2

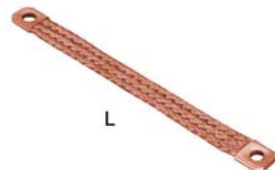
Yuvarlak esnek bara, Bakır kalaylı
Rounded flexible earth bar, CuSn
Провод



Part No	mm ²	Ø	L
GE-BFEC-2-10	10	9	150
GE-BFEC-2-16	16	11	200
GE-BFEC-2-35	35	11	250
GE-BFEC-2-50	50	11	300

GE-BFEC-3

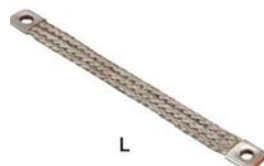
Yassı esnek bara, Bakır
Flat flexible bar, Copper(Cu)
Провод



Part No	mm ²	Ø	L
GE-BFEC-3-10	10x1	9	150
GE-BFEC-3-14	14x1.5	11	200
GE-BFEC-3-20	20x1.5	11	250
GE-BFEC-3-25	25x3	11	300

GE-BFEC-4

Yassı esnek bara, Bakır kalaylı
Flat flexible bar, CuSn
Провод



Part No	mm ²	Ø	L
GE-BFEC-4-10	10x1	9	150
GE-BFEC-4-14	14x1.5	11	200
GE-BFEC-4-20	20x1.5	11	250
GE-BFEC-4-25	25x3	11	300

Material options: Stainless steel AISI 304 (L) (A2) / AISI 316 (L) (A4), ST-37-42 Mild Steel, Corten A, Pregalvanized steel, Aluminum
 Finish options : Hot Dip Galvanized to EN 1461, Electrogalvanized to TS 149, Electrostatic Paint Coated, Prime coated
 See material & finish option charts for available product specific selections.

Fasteners & Accessories

GE-BAG

Cable tie, PVC
 Kablo ba••, PVC
 Кабельные стяжки, Нейлон



Part No	T	W	Max	Kg
GE-BAG-1	100	2.5	22	8.1
GE-BAG-2	160	2.5	40	8.1
GE-BAG-3	200	2.5	53	8.1
GE-BAG-4	150	3.6	35	18.2
GE-BAG-5	200	3.6	53	18.2
GE-BAG-6	250	3.6	65	18.2
GE-BAG-7	300	3.6	76	18.2
GE-BAG-8	370	3.6	102	18.2
GE-BAG-9	160	4.8	38	22.2
GE-BAG-10	200	4.8	50	22.2
GE-BAG-11	250	4.8	60	22.2
GE-BAG-12	300	4.8	76	22.2
GE-BAG-13	370	4.8	102	22.2
GE-BAG-14	430	4.8	110	22.2
GE-BAG-15	530	4.8	140	22.2
GE-BAG-16	300	7.6	76	54.5
GE-BAG-17	370	7.6	102	54.5
GE-BAG-18	450	7.6	127	54.5
GE-BAG-19	530	7.6	140	54.5
GE-BAG-20	710	7.6	190	54.5
GE-BAG-21	430	9.0	110	75.0
GE-BAG-22	530	9.0	140	75.0
GE-BAG-23	710	9.0	190	75.0
GE-BAG-24	810	9.0	240	75.0
GE-BAG-25	940	9.0	280	75.0
GE-BAG-26	1220	9.0	365	75.0

GE-BAGC

Cable tie, stainless steel
 Kablo ba••, paslanmaz elik
 Кабельные стяжки, Нержавеющая сталь



Part No	T	W	Max	Kg
GE-BAGC-1	127	4.6	25	46
GE-BAGC-2	152	4.6	37	46
GE-BAGC-3	201	4.6	50	46
GE-BAGC-4	266	4.6	69	46
GE-BAGC-5	300	4.6	76	46
GE-BAGC-6	362	4.6	102	46
GE-BAGC-7	521	4.6	152	46
GE-BAGC-8	679	4.6	203	46
GE-BAGC-9	838	4.6	254	46
GE-BAGC-10	152	7.9	25	114
GE-BAGC-11	201	7.9	50	114
GE-BAGC-12	266	7.9	69	114
GE-BAGC-13	300	7.9	76	114
GE-BAGC-14	362	7.9	102	114
GE-BAGC-15	521	7.9	152	114
GE-BAGC-16	679	7.9	203	114
GE-BAGC-17	838	7.9	254	114
GE-BAGC-18	1067	7.9	305	114

GERPAAS®



Enclosures

Surface Type Wall Mounted
Monoblock Enclosure
Sıva Üstü Monoblok Panolar



Standart Ölçüler Standart Dimension						
Ref. No	En Width	x	Boy Height	x	Derinlik Depth	Açıklama Description
GE-IKN050418S	400	x	500	x	180	15 Sigorta + Klemens
GE-IKN050420S	400	x	500	x	220	15 Sigorta + Klemens
GE-IKN060418S	400	x	600	x	180	30 Sigorta + Klemens
GE-IKN060422S	400	x	600	x	220	30 Sigorta + Klemens
GE-IKN060518S	500	x	600	x	180	45 Sigorta + Klemens
GE-IKN060522S	500	x	600	x	220	45 Sigorta + Klemens
GE-IKN080518S	500	x	800	x	180	65 Sigorta + Klemens
GE-IKN080522S	500	x	800	x	260	65 Sigorta + Klemens
GE-IKN080522S	600	x	800	x	220	45 Sigorta + TMŞ + Klemens
GE-IKN080626S	600	x	800	x	260	45 Sigorta + TMŞ + Klemens
GE-IKN100622S	600	x	1000	x	220	72 Sigorta + TMŞ + Klemens
GE-IKN100626S	600	x	1000	x	260	72 Sigorta + TMŞ + Klemens
GE-IKN120622S	600	x	1200	x	220	96 Sigorta + TMŞ + Klemens
GE-IKN120626S	600	x	1200	x	260	96 Sigorta + TMŞ + Klemens
GE-IKN120822S	800	x	1200	x	220	110 Sigorta + TMŞ + Klemens
GE-IKN120826S	800	x	1200	x	260	110 Sigorta + TMŞ + Klemens

Teknik Özellikler Technical Details	
Konstrüksiyon / Construction	Kaynaklı Gövde / Welded body
Gövde / Body	1mm - 1.5mm Dkp Sac / 1mm - 1.5 Steel Sheet
Kapı / Door	1.2mm Dkp Sac / 1.2mm Steel Sheet
Örtü Sacları / Cover Plates	1mm Dkp Sac / 1mm Steel Sheet
Boya / Paint	Ral7035 Elektrostatik Toz Boya / Ral7035 Electrostatic Powder Paint
Koruma Derecesi / Protection Degree	IP:41/54 / IP:41/54
Contalama Sistemi / Foaming Gasket	Poliüretan Dökme Conta / Polyurethane Foaming Gasket
Ön Kapı / Front Door	1/2 Nokta Kilitlemeli / Swing 1/2 Point Locking System
Menteşe / Hinges	2/3 Nuktadan Gizli Mentese / Scret Hinges Form 2/3 Poing
Kablo Giriş Çıkış / Cable Entry Outgoing	Var / Yes

Flush Type Wall Mounted
Monoblock Enclosure
Sıva Altı Monoblok Panolar



Standart Ölçüler Standart Dimension						
Ref. No	En Width	x	Boy Height	x	Derinlik Depth	Açıklama Description
GE-IKN040318G	350	x	450	x	180	10 Sigorta + Klemens
GE-IKN040418G	450	x	450	x	180	15 Sigorta + Klemens
GE-IKN060418G	450	x	650	x	180	30 Sigorta + Klemens
GE-IKN060518G	550	x	650	x	180	40 Sigorta + Klemens
GE-IKN080518G	550	x	850	x	180	60 Sigorta + Klemens
GE-IKN080522G	550	x	850	x	220	60 Sigorta + Klemens
GE-IKN080618G	650	x	850	x	180	72 Sigorta + Klemens
GE-IKN080622G	650	x	850	x	220	48 Sigorta + TMŞ + Klemens
GE-IKN100618G	650	x	1050	x	180	72 Sigorta + TMŞ + Klemens
GE-IKN100622G	650	x	1150	x	220	96 Sigorta + TMŞ + Klemens

Teknik Özellikler Technical Details	
Konstrüksiyon / Construction	Kaynaklı Gövde / Welded
Gövde / Body	1mm - 1.5mm Dkp Sac / 1mm - 1.5 Steel Sheet
Kapı / Door	1.2mm Dkp Sac / 1.2mm Steel Sheet
Örtü Sacları / Cover Plates	1mm Dkp Sac / 1mm Steel Sheet
Boya / Paint	Ral7035 Elektrostatik Toz Boya / Ral7035 Electrostatic Powder Paint
Koruma Derecesi / Protection Degree	IP:41/54 / IP:41/54
Contalama Sistemi / Foaming Gasket	Poliüretan Dökme Conta / Polyurethane Foaming Gasket
Ön Kapı / Front Door	1/2 Nokta Kilitlemeli / Swing 1/2 Point Locking System
Menteşe / Hinges	2/3 Nuktadan Gizli Mentese / Scret Hinges Form 2/3 Poing
Kablo Giriş Çıkış / Cable Entry Outgoing	Var / Yes



Enclosures

IP41 Economic Panels Whith
Mounting Plate
IP41 Eko.Duvar Tipi
Taban Saclı Pano



Not: Sac Kalınlığı 0,8 - 1 mm arası değişmektedir.
Thickness of the metal 0,8 - 1 mm

Standart Ölçüler Standart Dimension					
Ref. No	En Width	x	Boy Height	x	Derinlik Depth
GE-IKN030318SE..	300	x	300	x	180
GE-IKN040318SE..	300	x	400	x	180
GE-IKN050418SE..	400	x	500	x	180
GE-IKN060418SE..	400	x	600	x	180
GE-IKN060518SE..	500	x	600	x	180
GE-IKN080522SE..	500	x	800	x	220
GE-IKN080622SE..	600	x	800	x	220
GE-IKN100622SE..	600	x	1000	x	220
GE-IKN100625SE..	600	x	1000	x	250
GE-IKN120622SE..	600	x	1200	x	250
GE-IKN120625SE..	600	x	1200	x	250

IP65 Panels Whith
Mounting Plate
IP65 Duvar Tipi Taban
Saclı Panolar



Not: Sac Kalınlığı 1 - 1,5 mm arası değişmektedir.
Thickness of the metal 1 - 1,5 mm

Standart Ölçüler Standart Dimension					
Ref. No	En Width	x	Boy Height	x	Derinlik Depth
GE-IKN030318SE..	300	x	300	x	180
GE-IKN040318SE..	300	x	400	x	180
GE-IKN050418SE..	400	x	500	x	180
GE-IKN060418SE..	400	x	600	x	180
GE-IKN060518SE..	500	x	600	x	180
GE-IKN080522SE..	500	x	800	x	220
GE-IKN080622SE..	600	x	800	x	220
GE-IKN100622SE..	600	x	1000	x	220
GE-IKN100625SE..	600	x	1000	x	250
GE-IKN120622SE..	600	x	1200	x	250
GE-IKN120625SE..	600	x	1200	x	250



Enclosures

MCCB Busbar Distribution Enclosures Kompakt Bara Dağıtım Panolar



Standart Ölçüler Standart Dimension							
Giriş Akımı (A) Main Entry (AMPS)	Faz Phase	Yol Way	En Width	x	Boy Height	x	Derinlik Depth
100	3	6	400	x	650	x	180
100	3	8	400	x	650	x	180
100	3	10	400	x	850	x	180
100	3	12	400	x	850	x	180
100	3	14	400	x	850	x	180
200	3	6	500	x	850	x	220
200	3	8	500	x	850	x	220
200	3	10	500	x	850	x	220
200	3	12	500	x	950	x	220
200	3	14	500	x	950	x	220
250	3	6	500	x	850	x	220
250	3	8	500	x	850	x	220
250	3	10	500	x	950	x	220
250	3	12	500	x	950	x	220
250	3	14	500	x	950	x	220
Teknik Özellikler Technical Details							
Konstrüksiyon / Construction	Kaynaklı Gövde / Welded						
Gövde / Body	1mm - 1.5mm Dkp Sac / 1mm - 1.5 Steel Sheet						
Kapı / Door	1.2mm Dkp Sac / 1.2mm Steel Sheet						
Örtü Sacları / Cover Plates	1.5mm Dkp Sac / 1.5mm Steel Sheet						
Boya / Paint	Ral7035 Elektrostatik Toz Boya /Ral7035 Electrostatic Powder Paint						
Koruma Derecesi / Protection Degree	IP:41/54 / IP:41/54						
Contalama Sistemi / Foaming Gasket	Poliüretan Dökme Conta / Polyurethane Foaming Gasket						
Ön Kapı / Front Door	1/2 Nokta Kilitlemeli / Swing 1/2 Point Locking System						
Menteşe / Hinges	2/3 Noktadan Gizli Mentşe / Scret Hinges Form 2/3 Poing						
Kablo Giriş Çıkış / Cable Entry Outgoing	Var / Yes						

External Type Wall Mounted Enclosures Harici Duvar Tipi Panolar



Standart Ölçüler Standart Dimension					
Ref. No	En Width	x	Boy Height	x	Derinlik Depth
GE-IKN160504DH	500	x	1650	x	400
GE-IKN160604DH	600	x	1650	x	400
GE-IKN180604DH	600	x	1850	x	400
GE-IKN180605DH	600	x	1850	x	500
GE-IKN200605DH	600	x	2050	x	500
GE-IKN200606DH	600	x	2050	x	600
GE-IKN200805DH	800	x	2050	x	500
GE-IKN200806DH	800	x	2050	x	600
GE-IKN200808DH	800	x	2050	x	800
Teknik Özellikler Technical Details					
Konstrüksiyon / Construction	Kaynaklı / Welded				
Gövde / Body	1.5mm - 2mm Galvaniz Sac / 1.5mm - 2mm Galvanized Sheet				
Kapı / Door	2mm Galvaniz Sac / 2mm Galvanized Sheet				
Örtü Sacları / Cover Plates	1mm Galvaniz Sac / 1mm Galvanized Sheet				
Boya / Paint	Ral7035 Elektrostatik Toz Boya (Polyester) / Ral7035 Electrostatic Powder Paint (Polyester)				
Koruma Derecesi / Protection Degree	IP:54/65 / IP:54/65				
Contalama Sistemi / Foaming Gasket	Poliüretan Dökme Conta / Polyurethane Foaming Gasket				
Ön Kapı / Front Door	3 Nokta Kilitlemeli / Swing 3 Point Locking System				
Menteşe / Hinges	3 Noktadan Gizli Mentşe / Scret Hinges Form 3 Poing				
Kablo Giriş Çıkış / Cable Entry Outgoing	Var / Yes				



Enclosures

External Type Yard Enclosures
Harici Şantiye Tipi Panolar



Standart Ölçüler Standart Dimension					
Ref. No	En Width	x	Boy Height	x	Derinlik Depth
GE-IKS080530HSP	500	x	800	x	300
GE-IKN080630HSP	600	x	800	x	300
GE-IKN120630HSP	600	x	1200	x	300
GE-IKN120630HSP	600	x	1200	x	400
GE-IKN130630HSP	600	x	1300	x	400
GE-IKN150630HSP	600	x	1500	x	400

Teknik Özellikler Technical Details	
Gövde / Body	Kaynaklı / Welded
Kapı / Door	1mm - 1.5mm Galvaniz Sac / 1mm - 1.5mm Galvanized Sheet
Örtü Sacları / Cover Plates	1.5mm Galvaniz Sac / 1.5mm Galvanized Sheet
Boya / Paint	1mm Galvaniz Sac / 1mm Galvanized Sheet
Koruma Derecesi / Protection Degree	Ral7035 Elektrostatik Toz Boya (Polyester) / Ral7035 Electrostatic Powder Paint (Polyester)
Contalama Sistemi / Foaming Gasket	IP:54/65 / IP:54/65
Ön Kapı / Front Door	Poliüretan Dökme Conta / Polyurethane Foaming Gasket
Menteşe / Hinges	2 Nokta Kilitlemeli / Swing 3 Point Locking System
Kablo Giriş Çıkış / Cable Entry Outgoing	2 Noktadan Gizli Mentşe / Scret Hinges Form 3 Poing

Wall Mounted Stainless Steel Enclosures
Duvar Tipi Paslanmaz Panolar



Standart Ölçüler Standart Dimension					
Ref. No	En Width	x	Boy Height	x	Derinlik Depth
GE-IKN040320SP	300	x	400	x	200
GE-IKN050420SP	400	x	500	x	200
GE-IKN060520SP	500	x	600	x	200
GE-IKN080520SP	500	x	800	x	200
GE-IKN080620SP	600	x	800	x	200
GE-IKN080626SP	600	x	800	x	260
GE-IKN100620SP	600	x	1000	x	200
GE-IKN100620SP	600	x	1000	x	260

Standart Ölçüler Standart Dimension	
Konstrüksiyon / Construction	Kaynaklı - Modüler / Welded - Modular
Dikili Tip / Standing Type	1.5mm 304 Paslanmaz Sac / 1.5mm 304 Stainless Steel Sheet
Sıva Üstü / Surface Mounted	1.2mm 304 Paslanmaz Sac / 1.2mm 304 Stainless Steel Sheet
Koruma Derecesi / Protection Degree	IP:41/54/65 / IP:41/54/65
Contalama Sistemi / Foaming Gasket	Poliüretan Dökme Conta / Polyurethane Foaming Gasket
Ön Kapı / Front Door	2/3 Nokta Kilitlemeli / Swing 2/3 Point Locking System
Menteşe / Hinges	2/3 Noktadan Gizli Mentşe / Scret Hinges Form 3/3 Poing
Kablo Giriş Çıkış / Cable Entry Outgoing	Var / Yes



Enclosures

Floor Standing Stainless Steel Enclosures
Dikili Tip Paslanmaz Panolar



Standart Ölçüler Standart Dimension					
Ref. No	En Width	x	Boy Height	x	Derinlik Depth
GE-IKN090604PULT	600	x	900	x	400
GE-IKN110604PULT	600	x	1100	x	400
GE-IKN090805PULT	800	x	900	x	500
GE-IKN110804PULT	800	x	1100	x	400
GE-IKN110805PULT	800	x	1100	x	500
GE-IKN111004PULT	1000	x	1100	x	400
GE-IKN111005PULT	1000	x	1100	x	500
GE-IKN111205PULT	1200	x	1100	x	500

Teknik Özellikler Technical Details	
Konstrüksiyon / Construction	Kaynaklı / Welded
Gövde / Body	1.5mm Dkp Sac / 1.5mm Steel Sheet
Kapı / Door	1.5mm Dkp Sac / 1.5mm Steel Sheet
Taban Sacları / Mounting Plates	2mm Galvaniz Sac / 2mm Galvanized Sheet
Boya / Paint	Ral7035 Elektrostatik Toz Boya /Ral7035 Electrostatic Powder Paint
Koruma Derecesi / Protection Degree	IP:41/54 / IP:41/54
Contalama Sistemi / Foaming Gasket	Poliüretan Dökme Conta / Polyurethane Foaming Gasket
Ön Kapı / Front Door	1-2 Nokta Kilitlemeli / Swing 1-2 Point Locking System
Menteşe / Hinges	2 Noktadan Gizli Mentşe / Scret Hinges Form 3 Poing
Kablo Giriş Çıkış / Cable Entry Outgoing	Var / Yes

Console Piano Type Enclosures
Piyano Tipi Panolar



Standart Ölçüler Standart Dimension					
Ref. No	En Width	x	Boy Height	x	Derinlik Depth
GE-IKN140605PYN	600	x	1400	x	500
GE-IKN140806PYN	600	x	1400	x	600
GE-IKN140805PYN	800	x	1400	x	500
GE-IKN140806PYN	800	x	1400	x	600
GE-IKN141005PYN	1000	x	1400	x	500
GE-IKN141006PYN	1000	x	1400	x	600

Teknik Özellikler Technical Details	
Konstrüksiyon / Construction	Kaynaklı / Welded
Gövde / Body	1.5mm Dkp Sac / 1.5mm Steel Sheet
Kapı / Door	1.5mm Dkp Sac / 1.5mm Steel Sheet
Taban Sacları / Mounting Plates	2mm Galvaniz Sac / 2mm Galvanized Sheet
Boya / Paint	Ral7035 Elektrostatik Toz Boya /Ral7035 Electrostatic Powder Paint
Koruma Derecesi / Protection Degree	IP:41/54 / IP:41/54
Contalama Sistemi / Foaming Gasket	Poliüretan Dökme Conta / Polyurethane Foaming Gasket
Ön Kapı / Front Door	1-2 Nokta Kilitlemeli / Swing 1-2 Point Locking System
Menteşe / Hinges	2 Noktadan Gizli Mentşe / Scret Hinges Form 2 Poing
Kablo Giriş Çıkış / Cable Entry Outgoing	Var / Yes

Enclosures

19" Floor Standing Rack Cabinets
19" Dikili Tip Rack Kabinler



Standart Ölçüler Standart Dimension					
Ref. No	En Width	x	Boy Height	x	Derinlik Depth
GE-IKN060607U	600	x	420	x	600
GE-IKN060609U	600	x	500	x	600
GE-IKN060612U	600	x	630	x	600
GE-IKN060616U	600	x	760	x	600
GE-IKN060620U	600	x	1000	x	600
GE-IKN060622U	600	x	1130	x	600
GE-IKN060626U	600	x	1300	x	600
GE-IKN060632U	600	x	1600	x	600
GE-IKN060636U	600	x	1750	x	600
GE-IKN060640U	600	x	1900	x	600
GE-IKN060642U	600	x	2000	x	600
GE-IKN060644U	600	x	2100	x	600
GE-IKN080832U	800	x	1600	x	800
GE-IKN080836U	800	x	1750	x	800
GE-IKN080840U	800	x	1900	x	800
GE-IKN080842U	800	x	2000	x	800
GE-IKN080844U	800	x	2100	x	800
Teknik Özellikler Technical Details					
Konstrüksiyon / Construction	%100 Modüler / %100 Modular				
Gövde / Body	1.5mm Dkp Sac / 1.5mm Steel Sheet				
Kapı / Door	Pleksiglass Camlı Kapı / Plexiglass Door				
Boya / Paint	Ral9005 Elektrostatik Toz Boya / Ral9005 Electrostatic Powder Paint				
Koruma Derecesi / Protection Degree	IP:41/54 / IP:41/54				
Contalama Sistemi / Foaming Gasket	Poliüretan Dökme Conta / Polyurethane Foaming Gasket				
Ön Kapı / Front Door	3 Nokta Kilitlemeli / Swing 3 Point Locking System				
Menteşe / Hinges	2 Noktadan Gizli Mentese / Scret Hinges Form 3 Poing				
Kablo Giriş Çıkış / Cable Entry Outgoing	Var / Yes				



Console Piano Type Enclosures
Piyano Tipi Panolar

Teknik Özellikler Technical Details	
Konstrüksiyon / Construction	%100 Modüler Kaynaksız / %100 Modular Not Welded
Gövde / Body	2mm Dkp Sac / 2mm Steel Sheet
Kapı / Door	2mm Dkp Sac / 2mm Steel Sheet
Örtü Sacları / Cover Plates	1mm Dkp Sac / 1mm Steel Sheet
Boya / Paint	Ral7032 Elektrostatik Toz Boya / Ral7032 Electrostatic Powder Paint
Koruma Derecesi / Protection Degree	IP:41/54 / IP:41/54
Contalama Sistemi / Foaming Gasket	Poliüretan Dökme Conta / Polyurethane Foaming Gasket
Ön Kapı / Front Door	3 Nokta Kilitlemeli / Swing 3 Point Locking System
Menteşe / Hinges	4 Noktadan Gizli Mentese / Scret Hinges Form 4 Poing
Kablo Giriş Çıkış / Cable Entry Outgoing	Var / Yes



Enclosures

Floor Standing Type Modular Enclosures
Dikili Tip Modüler Panolar



Standart Ölçüler Standart Dimension					
Ref. No	En Width	x	Boy Height	x	Derinlik Depth
GE-IKN160504D	500	x	1650	x	400
GE-IKN180504D	500	x	1850	x	400
GE-IKN200504D	500	x	2050	x	400
GE-IKN220504D	500	x	2250	x	400
GE-IKN160604D	600	x	1650	x	400
GE-IKN180604D	600	x	1850	x	400
GE-IKN200604D	600	x	2050	x	400
GE-IKN220604D	600	x	2250	x	400
GE-IKN160704D	700	x	1650	x	400
GE-IKN180704D	700	x	1850	x	400
GE-IKN200704D	700	x	2050	x	400
GE-IKN160804D	800	x	1650	x	400
GE-IKN181804D	800	x	1850	x	400
GE-IKN200804D	800	x	2050	x	400
GE-IKN220804D	800	x	2250	x	400

Floor Standing Type Modular Enclosures
Dikili Tip Modüler Panolar



Standart Ölçüler Standart Dimension					
Ref. No	En Width	x	Boy Height	x	Derinlik Depth
GE-IKN160505D	500	x	1650	x	500
GE-IKN180505D	500	x	1850	x	500
GE-IKN200505D	500	x	2050	x	500
GE-IKN220505D	500	x	2250	x	500
GE-IKN160605D	600	x	1650	x	500
GE-IKN180605D	600	x	1850	x	500
GE-IKN200605D	600	x	2050	x	500
GE-IKN220605D	600	x	2250	x	500
GE-IKN160705D	700	x	1650	x	500
GE-IKN180705D	700	x	1850	x	500
GE-IKN200705D	700	x	2050	x	500
GE-IKN160805D	800	x	1650	x	500
GE-IKN181805D	800	x	1850	x	500
GE-IKN200805D	800	x	2050	x	500
GE-IKN220805D	800	x	2250	x	500



Enclosures

Floor Standing Type Modular Enclosures
Dikili Tip Modüler Panolar



Standart Ölçüler Standart Dimension					
Ref. No	En Width	x	Boy Height	x	Derinlik Depth
GE-IKN160506D	500	x	1650	x	600
GE-IKN180506D	500	x	1850	x	600
GE-IKN200506D	500	x	2050	x	600
GE-IKN220506D	500	x	2250	x	600
GE-IKN160606D	600	x	1650	x	600
GE-IKN180606D	600	x	1850	x	600
GE-IKN200606D	600	x	2050	x	600
GE-IKN220606D	600	x	2250	x	600
GE-IKN160706D	700	x	1650	x	600
GE-IKN180706D	700	x	1850	x	600
GE-IKN200706D	700	x	2050	x	600
GE-IKN160806D	800	x	1650	x	600
GE-IKN181806D	800	x	1850	x	600
GE-IKN200806D	800	x	2050	x	600
GE-IKN220806D	800	x	2250	x	600

Floor Standing Type Modular Enclosures
Dikili Tip Modüler Panolar



Standart Ölçüler Standart Dimension					
Ref. No	En Width	x	Boy Height	x	Derinlik Depth
GE-IKN160507D	500	x	1650	x	700
GE-IKN180507D	500	x	1850	x	700
GE-IKN200507D	500	x	2050	x	700
GE-IKN220507D	500	x	2250	x	700
GE-IKN160607D	600	x	1650	x	700
GE-IKN180607D	600	x	1850	x	700
GE-IKN200607D	600	x	2050	x	700
GE-IKN220607D	600	x	2250	x	700
GE-IKN160707D	700	x	1650	x	700
GE-IKN180707D	700	x	1850	x	700
GE-IKN200707D	700	x	2050	x	700
GE-IKN160807D	800	x	1650	x	700
GE-IKN181807D	800	x	1850	x	700
GE-IKN200807D	800	x	2050	x	700
GE-IKN220807D	800	x	2250	x	700



Enclosures

Floor Standing Type Modular Enclosures
Dikili Tip Modüler Panolar



Standart Ölçüler Standart Dimension					
Ref. No	En Width	x	Boy Height	x	Derinlik Depth
GE-IKN160506D	500	x	1650	x	600
GE-IKN180506D	500	x	1850	x	600
GE-IKN200506D	500	x	2050	x	600
GE-IKN220506D	500	x	2250	x	600
GE-IKN160606D	600	x	1650	x	600
GE-IKN180606D	600	x	1850	x	600
GE-IKN200606D	600	x	2050	x	600
GE-IKN220606D	600	x	2250	x	600
GE-IKN160706D	700	x	1650	x	600
GE-IKN180706D	700	x	1850	x	600
GE-IKN200706D	700	x	2050	x	600
GE-IKN160806D	800	x	1650	x	600
GE-IKN181806D	800	x	1850	x	600
GE-IKN200806D	800	x	2050	x	600
GE-IKN220806D	800	x	2250	x	600

Floor Standing Type Modular Enclosures
Dikili Tip Modüler Panolar



Standart Ölçüler Standart Dimension					
Ref. No	En Width	x	Boy Height	x	Derinlik Depth
GE-IKN160507D	500	x	1650	x	700
GE-IKN180507D	500	x	1850	x	700
GE-IKN200507D	500	x	2050	x	700
GE-IKN220507D	500	x	2250	x	700
GE-IKN160607D	600	x	1650	x	700
GE-IKN180607D	600	x	1850	x	700
GE-IKN200607D	600	x	2050	x	700
GE-IKN220607D	600	x	2250	x	700
GE-IKN160707D	700	x	1650	x	700
GE-IKN180707D	700	x	1850	x	700
GE-IKN200707D	700	x	2050	x	700
GE-IKN160807D	800	x	1650	x	700
GE-IKN181807D	800	x	1850	x	700
GE-IKN200807D	800	x	2050	x	700
GE-IKN220807D	800	x	2250	x	700

Floor Standing Type Modular Enclosures
Dikili Tip Modüler Panolar



Standart Ölçüler Standart Dimension					
Ref. No	En Width	x	Boy Height	x	Derinlik Depth
GE-IKN160508D	500	x	1650	x	800
GE-IKN180508D	500	x	1850	x	800
GE-IKN200508D	500	x	2050	x	800
GE-IKN220508D	500	x	2250	x	800
GE-IKN160608D	600	x	1650	x	800
GE-IKN180608D	600	x	1850	x	800
GE-IKN200608D	600	x	2050	x	800
GE-IKN220608D	600	x	2250	x	800
GE-IKN160708D	700	x	1650	x	800
GE-IKN180708D	700	x	1850	x	800
GE-IKN200708D	700	x	2050	x	800
GE-IKN160808D	800	x	1650	x	800
GE-IKN181808D	800	x	1850	x	800
GE-IKN200808D	800	x	2050	x	800
GE-IKN220808D	800	x	2250	x	800

GERPAAS[®]

**Technical
Teknik
Технический**

GERPAAS®

Material options: Stainless steel AISI 304 (L) (A2) / AISI 316 (L) (A4), ST-37-42 Mild Steel, Corten A, Pregalvanized steel, Aluminum
 Finish options : Hot Dip Galvanized to EN 1461, Electrogalvanized to TS 149, Electrostatic Paint Coated, Prime coated
 See material & finish option charts for available product specific selections.

	Prefix	Kısaltmalar	Сокращения
	EN	TR	RU
HDG	Hot dip galvanized	Sıcak daldırma galvaniz	Горячее цинкование
PG	Hot dip pregalvanized	Sıcak daldırma pregalvaniz	Цинкование по методу Седзимира
EG	Electro galvanized	Elektro galvaniz	Электро оцинкованный
ESB	Electrostatic powder coated	Elektrostatik toz boya	Электростатической порошковой краской
AL	Aluminum	Aluminyum	Алюминиевый
APB	Prime coated	Antipas boyalı	Коррозия доказательство краска
CU	Copper	Bakır	медь
SS4	AISI 304 grade stainless (A2)	304 kalite paslanmaz çelik	304 нержавеющей сталь
SS6	AISI 316 grade stainless (A4)	316 kalite paslanmaz çelik	316 нержавеющей сталь
Mm	Milimeter	Milimetre	Миллиметрические
A	Side height	Kenar yüksekliği	Высота борта
W	Width	Genişlik	ширина
L	Length	Uzunluk	Длина
µm	Micron	Mikron	Микрон
SWL	Safe working load	Emniyetli çalışma yükü	Грузоподъемность
Def	Deflection	Sehim	отклонение
M	Meter	Metre	Мера
Pc	Piece	Adet	Каждый
N	Nevton	Newton	Ньютон
Lbs	Pound	Pound	фунт
Kg	Kilogram	Kilogram	Килограмм
UDL	Uniformly distributed loads	Uniform yükler	Равномерно распределенные нагрузки
F	Fahrenheit	Fahrenheit	Фаренгейт
C	Celcius	Celcius	Цельсий



GERPAAS®

ADVANTAGES OF GERPAAS® CABLE MANAGEMENT SYSTEMS

GERPAAS® KABLO TAŞIMA SİSTEMLERİNİN GETİRDİĞİ AVANTAJLAR
ПРЕИМУЩЕСТВА GERPAAS® КАБЕЛЬНЫЕ СИСТЕМЫ УПРАВЛЕНИЯ

GERPAAS® Cable Tray Systems are;

- Designed with standardized slot patterns enabling easy interconnections,
- Low maintenance costs
- Less expensive systems compared to electrical conduits and other wiring systems,
- Very reliable and safe compared to other wiring systems,
- Competitive pricing strategy,
- Custom production availability upon request,
- Offers a diverse selection of materials and finishes to meet your demanding environmental conditions,
- Adaptable to new needs and technology
- Fire resistance enables maximum safety
- Can be observed, and tested practically,
- Easy to store and protect,
- Suitable for all types of finishing variants,
- Available in a variety of material options.
- Cable management systems are widely known universal systems

GERPAAS® Kablo Taşıma Sistemleri;

- Standart delik düzeni ile uygulaması pratiktir.
- Bakım maliyetleri düşüktür.
- Diğer kablolama sistemlerine göre daha ekonomik çözümdür.
- Diğer kablolama sistemlerine göre daha güvenilirdir.
- Ekonomik fiyatlandırma yapısına sahiptir.
- Özel ölçülerde üretim yapılma imkanı
- Çevre koşullarına göre uygun birçok malzeme ve kaplama seçeneği
- Yeni ihtiyaçlara ve teknolojiye göre sistem üzerinde kolayca değişiklik yapılabilir.
- Yüksek havalandırma kapasitesiyle ve metalik yapısıyla yangına karşı dayanıklıdır
- Sistemi gözlemleyip kontrol ve test edebilmek kolaydır.
- Depolamak ve muhafaza etmek kolaydır.
- İmalat sonrası tüm kaplama tekniklerine uygundur.
- Birçok malzeme seçeneği mevcuttur.
- Kablo taşıma sistemleri herkes tarafından bilinen, uygulanan ve tercih edilen sistemlerdir.

GERPAAS® Кабельные Системы управления;

- Стандартный дыру дизайн
- Низкие затраты на обслуживание
- Менее дорогие системы по сравнению с другими электрическими системами
- Очень надежным и безопасным по сравнению с другими электрическими системами
- Конкуренетоспособные цены
- Возможно изготовление продукции на заказ
 - Разнообразная диапазон материала и отделки параметры в соответствии с условиями окружающей среды
 - Адаптироваться к новым потребностям и технологиям
 - Пожарная устойчивость
 - Можно наблюдать и испытан легко.
 - Могут быть сохранены и охраняются легко.
 - Подходит для всех покрытий варианты.
 - Доступные в различных вариантах металлического материала.
 - Кабельные системы управления широко известны универсальные системы.

DEFINITIONS

Cable tray system is the structure that carries the cabling of an electrical system and distributes all the cables to the intended machinery and equipment. There are sub systems within a cable tray system including the support and suspension of the cable trays and their components.

- Cable tray:** is a rigid structure for fastening, supporting, holding or distributing cables. Cable trays are manufactured in single flanged and return flanged options in standard. Also cable trays are available in perforated and non-perforated options.
- Cable ladder:** is a prefabricated structure consisting of two longitudinal side rails connected by pre welded at the inner side of the rails.
- Splice plate:** is a connector piece which joins cable tray and cable ladder straight sections and fittings or both.
- Flat bend:** is an angular connection on horizontal cable runs. Available angles in flat bends are 30, 45, 60 and 90 degrees.
- Tee bend:** is a cable tray fitting joining cable trays in 3 directions at 90° intervals in the same plane. Tee bends are offered as "equal" and "unequal" widths.
- Crossing:** is for joining cable trays in 4 directions at 90° intervals in the same plane.
- Reducer:** is for joining cable trays of different widths in the same plane. Abrupt reducers, however, do not have a bottom plane or a rung to support cables but are used only to connect the cable trays of different widths just like the splice plates.
- Vertical bend:** is for joining cable trays of the same widths in different vertical levels. Available as inside and outside types.
- End plate:** is for ending the cable tray run.
- Cover:** is for closing the top of the cable tray or cable ladder straight section or its component completely or partially depending on the preferred type of cover lid.

TANIMLAR

Kablo kanalı sistemi bir elektriksel düzeninde yer alan kabloları taşıyan ve amaçlanan makineye, ekipmana veya noktaya kadarki dağıtımını sağlayan yapıdır. Kablo kanalı sisteminde sistemin kendisini taşıyan, destekleyen alt sistemlerde mevcuttur.

- Kablo kanalı:** üzerinde kabloları bağlamak, taşıma, tutma ve/veya dağıtmayı sağlayan rijit yapıdır. Tek bükümlü ve ağır hizmet bükümlü olarak mevcuttur. Delikli ve deliksiz olarak üretilmektedir.
- Kablo merdiveni:** paralel iki uzun profil ve aralarına belirli aralıklarla kaynaklanmış basamaklardan oluşan metal yapıdır. Basamaklar bacak denilen profillerin birbirlerine bakan iç kısımlarına kanatılır.
- Ek elemanı:** Kablo kanallarını, kablo merdivenlerini, bağlantı parçalarını birbirlerine bağlayan birleştirme elemanıdır.
- Yatay dönüş:** kablo hattının yönünü yatay düzlemde değiştirmek için kullanılan açılı elemandır. 30, 45, 60, 90 derecelerde üretilir.
- T dönüş:** kablo taşıyıcı sisteminde aynı düzlem üzerinde 3 farklı yöne (açıya) dönüş elemanıdır. T elemanları "eşit" ve "farklı" olarak üretilmektedir.
- Dörtlü bağlantı:** kablo taşıma sisteminde aynı düzlem üzerinde 2 farklı yöne 4 çıkış veren elemandır.
- Redüksiyon:** kablo taşıma sisteminde aynı düzlem üzerindeki farklı genişliklerdeki iki kablo kanalı/merdiveninin birleştirilmesini sağlar. Ek tipi redüksiyonların farkı tabanı olmamasıdır.
- Düşey bükey:** farklı yüksekliklerde bulunan aynı genişlikteki kablo kanallarını / kablo merdivenlerini birbirine bağlar.
- Sonlandırma:** Kablo kanalı / kablo merdiveni hattını sonlandırır.
- Kapak:** seçilen kapak modeline göre kablo kanalının / kablo merdiveninin üstünü kapatır.

ОПРЕДЕЛЕНИЯ

Кабельные лотки система является структурой, которая несет в кабельной электрической системы и распределяет все кабели предназначены для машин и оборудования.

- Кабельный лоток:** представляет собой жесткую конструкцию для крепления, поддержки, проведения или распространение кабели.
- Кабельные лестницы:** состоит из двух продольных сторону рельсов связаны предварительно сварные на внутреннюю сторону рельсов.
- Сборка частей:** Разъем представляет собой кусок, который соединяет кабельных лотков и кабельных лестницы прямые участки и фитинги.
- Секция угловая горизонтальная:** это угловые соединения на горизонтальных кабельных трасс. Доступные в плоских углов поворотов на 30, 45, 60 и 90 градусов.
- T образное разветвление:** является установка кабельного лотка кабельные лотки вступлении в 3 направлениях на 90° интервалом в той же плоскости. Тее поворотов предлагаются как "равные" и "неравными" ширины.
- Секция крестообразная:** для присоединения кабельных лотков в 4 направлениях 90° интервалом в той же плоскости.
- Редукции:** для присоединения кабельных лотков различной ширины в той же плоскости.
- Внешний угловой элемент:** для присоединения кабельных лотков той же ширины в различных вертикальных уровнях. Доступен как внутри, так и за пределами типов.
- Единица конца:** Используется в конце кабельные лотки и кабельные лестницы.
- Обложка для кабельных лотков / кабельного лестницы:** для закрытия верхней части лотка кабеля или кабеля лестницы прямые раздела или его компонентов, полностью или частично в зависимости от предпочитаемого типа покрытия крыши.

GENERAL INSTRUCTIONS

Cable trays, cable ladders nor any system components must be used as a walkway or support for people, this may cause personal injuries and also damage to the components, the cable support system and as well as the cables. All systems components must be controlled physically for any burrs, sharp edges and irregularities that may harm cables, other equipment or workers. Deformed system components must be repaired or must be changed with new components. Protective gloves and caps must be worn during shipping and carrying the system components. Safe working load capacities must be taken in consideration at all times. It is always recommended to set up an upgradeable support system for your requirements also in the future. External loads must be taken into account when designing a cable ladder vsystem (e.g. Wind loads, snow loads, ice loads etc.) Cable tray and cable ladder interiors where the cables and related will be installed must have smooth surface to allow for easier cable pulling and minimize the risks of damaging the cables. All cable tray and cable ladder straight pieces must be combined at the ends by splice plates.

1. Avoid stocking and shipping in humid or wet conditions. Dry environment is required for all metal components.
2. Keep all components away from the risk of physical impacts. preferably all items be kept in original packages, and it is strongly recommended to store on pallets and/or in cardboard boxes.
3. System components must not be used as walkway or support unit for people as since such behavior may reduce the performance of the components where as it also may cause personal injury and harm the entire electrical system.
4. In case that any damage is detected in the system components, immediate precautions must be taken by repairing the components or by changing with new ones.
5. Recommended temperature ranges must be taken in consideration at all times.
6. Installation of cable tray & cable ladder systems must be performed by qualified personnel.
7. SWL diagrams must be taken in consideration in electrical projects and installations.

GENEL BİLGİLER

Kablo taşıyıcılar üzerinde yürünmemeli, insan yükü uygulanmamalıdır. Uygulandığı taktirde taşıma sistemine ve elektrik sistemine zarar gelebilir. Kablo taşıma sisteminde çapak, sivri uç vb gibi unsurlar bulunmamalıdır; bulunduğu taktirde derhal onarılmalı veya düzgünü ile değiştirilmelidir. Yük taşıma kapasiteleri her zaman dikkate alınmalıdır. Kablonun döneceği yüzeyler kesinlikle düzgün olmalıdır.

1. Ürünler tercihen kuru ortamda korunmalı, nemli ve ıslak şartlardan uzak tutulmalıdır.
2. Ürünler fiziksel dış etkenlere maruz bırakılmamalı, tercihen orijinal paketlerinde paletler üzerinde tutulmalıdır.
3. Kablo taşıyıcıların üzerinde insan yükü uygulanması sistemin verimini düşüreceğinden ve tehlike arz edeceğinden sistem bileşenlerine insan yükü uygulanmamalıdır.
4. Sistem bileşenlerinde hasar tespit edildiğinde derhal onarılmalı veya değiştirilmelidir.
5. Sistem bileşenleri tavsiye edilen ısı şartlarında kullanılması ve depolanması gerekir.
6. Kablo taşıyıcıların bu konuda eğitimli personel tarafından monte edilmesi gereklidir.
7. Yük taşıma kapasitelerine uyulmalıdır.

ОБЩИЕ ПОЛОЖЕНИЯ

Кабельные лотки, лестничные лотки и другие компоненты системы не должны использоваться как дорожки или опорные стойки для людей- это может стать причиной повреждения деталей, опорной кабельной системы, кабелей и нанести личный ущерб. Все компоненты системы должны находиться под контролем физического лица от каких-либо колючих или острых углов, которые могут повредить кабель, другое оборудование или причинить вред рабочим. Деформированные компоненты системы следует исправить или заменить новыми деталями. Во время транспортировки компонентов системы пользоваться защитными перчатками и касками. Должна быть принята во внимание безопасность грузовой нагрузки. При необходимости обеспечить подъемные опорные системы. Внешняя нагрузка должна учитываться при проектировании системы лестничных лотков. Внутренние стороны кабельных и лестничных лотков, где будет монтироваться кабель, должны иметь гладкую поверхность, чтобы облегчить проведение и уменьшить риск повреждения кабеля. Все прямые детали кабельных и лестничных лотков должны крепиться при помощи связующих элементов.

1. Избегайте хранения и транспортировки в сырых или мокрых условиях. Сухая окружающая среда обязательна для всех металлических деталей.
2. Держите все компоненты от риска физического воздействия, предпочтительно каждый отдельный предмет хранить в подлинной упаковке или картонной коробке.
3. Компоненты системы не должны использоваться как дорожка или опорная стойка для человека, поскольку это может снизить производительность деталей повредить всю электрическую систему.
4. В случае обнаружения какого-либо повреждения в системе компонентов, следует немедленно принять меры предосторожности по ремонту или замене деталей на новые.
5. Должен быть принят во внимание рекомендуемый температурный предел.
6. Монтаж систем кабельных и лестничных лотков должен выполняться квалифицированным персоналом.
7. Схемы грузовой нагрузки диаграммы должны учитываться в электрических проектах и монтажах.

Recommended Conditions For Stocking And Shipping Of Cable Tray & Cable Ladder Systems

- 1 Avoid stocking and shipping in humid or wet conditions. Dry environment is required for all metal components.
- 2 Keep all components away from the risk of physical impacts and construction traffic. Preferably all items be kept in original packages, and it is strongly recommended to store on pallets and/or in cardboard boxes all elevated off the ground. GERPAAS® products are palletized and generally shrink-wrapped with secure PVC straps in export packaging.
- 3 System components must not be used as walkway or support unit for people as since such behavior may reduce the performance of the components where as it also may cause personal injury and harm the entire electrical system.
- 4 In case that any damage is detected in the system components, immediate precautions must be taken by repairing the components or by changing with new ones.
- 5 Recommended temperature ranges must be taken in consideration at all times. (-20 / +105° C)
- 6 Installation of cable tray & cable ladder systems must be performed by qualified personnel.
- 7 SWL diagrams must be taken in consideration in electrical projects and installations.

Kablo Kanalları Ve Kablo Merdivenlerini Taşıma ve Depolama İçin Genel Tavsiyeler

- 1 Ürünleri ıslak ve nemli yerlerde muhafaza etmeyiniz. Kuru ortam metal ürünler için idealdir.
- 2 Tüm ürünleri fiziksel darbeye maruz kalabilecekleri ortamlardan uzak tutunuz. Tercihen orjinal paketlerinde depolayınız.
- 3 Ürünler üzerinde yürümek veya benzeri ağırlık uygulamak sakıncalıdır.
- 4 Ürünlerde defo tespit edildiği taktirde kullanmayınız, tamir ediniz veya yenisi ile değiştiriniz.
- 5 Ürünler tavsiye edilen sıcaklıklarda kullanılmalıdır. (-20 / +105° C)
- 6 Kablo taşıyıcıların montajı deneyimli ve bilgili yetkili personel tarafından yapılmalıdır.
- 7 Ürünlerin yük taşıma kapasitelerine uyunuz.

Рекомендуемые условия для хранения и перевозок кабельных лотков И Системы кабельных лестниц

- 1 Не запасов продукции на влажных.
- 2 Храните в безопасных районах, с минимальным риском физического воздействия. Храните продукты в оригинальной упаковке.
- 3 Продукция не должна быть использована в качестве ходить путями.
- 4 Если какие-либо физические недостатки обнаружены, то свяжитесь с изготовителем / поставщиком модернизировать или изменить в продукте. Не используйте поврежденные или используемых продуктов.
- 5 Рекомендуемая температура должна приниматься во внимание во все времена. (-20 / +105° C)
- 6 Монтаж кабельных лотков И лестничных кабельных систем должны выполняться квалифицированным персоналом.
- 7 Грузоподъемность диаграммы должны быть приняты во внимание во все времена.

SAFETY

- 1- Cable trays, cable ladders or any of the system components must not be used as a walkway, or support for people; this may cause personal injuries, and also damage the components, the cable support system, and as well as the cables.
- 2- All system components must be controlled physically for any burrs, sharp edges and irregularities that may harm cables, other equipment or workers.
- 3- Deformed system components must be repaired or must be changed with new components.
- 4- Protective gloves and caps must be worn during shipping and carrying the system components.
- 5- Safe working load capacities must be taken in consideration at all times.
- 6- External loads must be taken into account when designing a cable tray or cable ladder system (e.g. wind loads, snow loads, ice loads etc.)
- 7- Cable tray and cable ladder interiors where the cables and related equipment will be installed must have smooth surface to allow for easier cable pulling and minimize the risks of damaging the cables. All cable tray and cable ladder straight pieces must be combined at the ends by splice plates.
- 8- The performance of a cable tray wiring system is dependent to its proper installation, including supports and cables. Neglecting installation and maintenance guidelines may lead to personal injury as well as damage to property.
- 9- Nonmetallic supports and hardware may require special load bearing considerations due to material composition and application temperature or other factors.

EMNİYET

- 1- Kablo kanalları, kablo merdivenleri veya diğer sistem bileşenleri insanlar için yürüme yolu veya destek eşyası olarak kullanılmamalıdır; bu, sistemdeki ekipmanlara, ve kablolara ve çevredekilere zarar verebilir.
- 2- Tüm sistem bileşenleri çapak, sivri uç veya benzeri hatalara karşı kablolama yapılmadan önce kontrol edilmelidir.
- 3- Bozuk malzeme kullanılmamalı ve derhal tamir edilmeli veya yenisi ile değiştirilmelidir.
- 4- Taşıma sırasında koruyucu eldiven ve başlık kullanılmalıdır.
- 5- Yük taşıma kapasiteleri dikkate alınmalıdır.
- 6- Dış etkenlere bağlı yükler dikkate alınmalıdır (rüzgar yükü, kar yükü, buz yükü vb.)
- 7- Kablo taşıyıcıların iç kısımlarında kablolara zarar verebilecek yüzeyler bulunmamalıdır. Kablo taşıyıcılar birbirlerine ek parçaları ile eklenmelidir.
- 8- Kablo taşıma sisteminin performansı doğru montaj yapılmasına bağlıdır. Dikkatsiz yapılan montajlama sonucu insanlara ve ekipmanlara zarar gelebilir.
- 9- Metal olmayan bileşenler ve bağlantı elemanlarında yük taşıma kapasitelerine dikkat edilmeli ve malzeme farklılığından dolayı kaynaklanabilecek termal gerilme ve genleşme oranlarına bakılmalıdır.



Безопасность

- 1- Кабельные лотки, кабельные лестницы или любого из компонентов системы не должны быть использованы в качестве дорожки или поддержки для людей, это может причинить телесные повреждения, а также повредить компоненты, системы поддержки кабелей, а также а также кабелей.
- 2- Все компоненты системы должны контролироваться для любого физического заусенцев, острых кромок и нарушения, которые могут повредить кабель, другого оборудования или других работников.
- 3- Деформированные компоненты системы должны быть отремонтированы или должно быть изменено с новыми компонентами.
- 4- Защитные перчатки и шапки необходимо носить во время транспортировки и реализации компонентов системы.
- 5- Безопасная рабочая нагрузка потенциала должны быть приняты во внимание во все времена.
- 6- Внешние нагрузки должны быть приняты во внимание при проектировании кабельных лотков или кабельного лестнице (например, ветровые нагрузки, нагрузки снега, льда нагрузок т.д.)
- 7- Кабельные лотки и кабельные лестницы интерьеры, где кабелей и связанных с ними будет установлено оборудование, должны иметь гладкую поверхность, облегчают закрепления кабелей и минимизации рисков повреждения кабелей. Все кабельных лотков и кабельных лестницы прямые частей должны быть объединены на концах путем сращивания пластин.
- 8- Выполнение кабельных лотков система проводки зависит его правильной установки, в том числе поддерживает и кабели. Пренебрегая установка и обслуживание руководящих принципов может привести к телесным повреждениям, а также ущерб имуществу.
- 9- Неметаллические поддерживает и оборудования могут потребоваться специальные несущие сооружения, обусловленные составом и материальной температура применения или других факторов.

Selection Of The Correct Cable Tray Sizes Выбор правильного кабельных лотков Doğru Kablo Kanalı Seçimi



1. Use $(2r^2)$ formula to find the area of each cable.
Используйте $(2R^2)$, чтобы найти кабеля области.
Kablunun alanını $2R^2$ ile bulun.
2. Find the total area of cables required for your cable tray route.
Определите ваши области требование для кабелей
İhtiyacınız olan kablo kesiti alanını belirleyin.
3. It is recommended to keep a +%20 reserve margin for future revisions in cable route.
Мы рекомендуем, чтобы сохранить 20% запас пространства для ваших будущих потребностей.
Kablolama alanında %20 rezervli bırakmanız tavsiye edilir.
4. Choose the corresponding size of cable tray using the table below.
Выберите соответствующий размер кабельных лотков помощью показано ниже таблице.
Aşağıdaki tablodan uygun kablo kanalı tipini seçiniz.
5. It is highly recommended to choose the nearest higher value.
Настоятельно рекомендуется выбирать ближайшее большее значение.
En yakın büyük değerin seçilmesi tavsiye edilir.

Cross Sectional Area (mm ²)	A			A						
	mm	15	25	40	25	40	50	60	75	100
W	50	750	1250	2000	1000	1600	2000	2400	3000	4000
	70	1050	1750	2800	1400	2240	2800	3360	4200	5600
	100	1500	2500	4000	2000	3200	4000	4800	6000	8000
	125	1800	3000	4800	2400	3840	5000	5760	7500	10000
	150	2250	3750	6000	3000	4800	6000	7200	9000	12000
	200	3000	5000	8000	4000	6400	8000	9600	12000	16000
	225	3375	5625	9000	4500	7200	9000	10800	13500	18000
	250	3750	6250	10000	5000	8000	10000	12000	15000	20000
	300	4500	7500	12000	6000	9600	12000	14400	18000	24000
	400	6000	10000	16000	8000	12800	16000	19200	24000	32000
	450	6750	11250	18000	9000	14400	18000	21600	27000	36000
	500	7500	12500	20000	10000	16000	20000	24000	30000	40000
	600	9000	15000	24000	12000	19200	24000	28800	36000	48000
	750	11250	18750	30000	15000	24000	30000	36000	45000	60000
900	13500	22500	36000	18000	28800	36000	43200	54000	72000	

GERPAAS®

GERPAAS® standard sizes and equivalents in NEMA standards:

We use metric sizes in all calculations. However, for the enquiries listed with units including inches the nearest metric standard dimensions are taken into consideration as shown in the table below;

inches (imperial)	Conversion to mm (metric)	Adaptation to Gerpaas standards
3"	76.2	75 mm
4"	101.6	100 mm
5"	127.0	125 mm
6"	152.4	150 mm
8"	203.2	200 mm
9"	228.6	225 mm
10"	254.0	250 mm
12"	304.8	300 mm
16"	406.4	400 mm
18"	457.2	450 mm
20"	508.0	500 mm
24"	609.6	600 mm
30"	762.0	750 mm
35"	889.0	900 mm

Anti-Corrosion

The corrosive environment of the site environment must be studied prior to determination of the material and finish options of the cable tray systems. Proper selection of the corrosion protection method lengthens the life of the steel material and provides safe and economical use.

CLASSIFICATION OF ENVIRONMENTS			
Corrosion category	Loss of thickness µm/year	Typical environment	
		Indoor	Outdoor
C1 inconsiderable	≥0,1	-	Heated buildings (offices, schools, stores etc.)
C2 Slight	>0,1 until 0,7	Little pollution Like rural areas	Not heated buildings with formation of condensate like store houses, coliseums
C3 Moderate	>0,7 until 2,1	City and industrial environments with moderate pollution	Highly humid production plants like laundry, brewery and diary
C4 Strong	>2,1 until 4,2	Industrial areas and coastlines with moderate salt impact	Chemical plants, swimming pools
C5-I Very strong (industrial)	>4,2 until 8,2	Industrial environment with high humidity and aggressive atmosphere	Buildings or areas with almost permanent condensation and pollution
C5-M Very strong (marine)	>4,2 until 8,2	Coastlines and offshore areas with high salt impact	Buildings or areas with almost permanent condensation and pollution

Hot dip galvanize (HDG) (EN 1461 – TSE 914)

GERPAAS® offers most of the products with hot dip galvanized finishes which bring ideal anti-corrosive performance in many circumstances. In this coating method a metallic bond occurs resulting in a zinc coating that completely coats all surfaces, including edges and welds. Best advantage of this coating method is its coating thickness which exceeds 45 microns in almost all thicknesses. Hot dip galvanizing is made after manufacture of the steel products by means of dipping the items in molten zinc bath.

The layer of zinc which bonds to steel provides a dual protection against corrosion. It protects first as an overall barrier coating. If this coating happens to be scratched or gouged, zinc's secondary defense is called upon to protect the steel by galvanic action. Hot dip galvanized finish is recommended for prolonged outdoor exposure, and it protects steel for many years in outdoor environments. Zinc coatings above 85 microns available upon request.

INTERNATIONAL STANDARDS					
	Europe	Germany	Great Britain	France	U.S.A
HDG	ISO EN 1461	DIN ISO EN 1461	BS EN ISO 1461	EN ISO 1461	ASTM A123/A 123M
PG	ISO EN 10142	DIN EN 10142	BS 2989	EN ISO 10142	ASTM A653SS
EG	EN 12329	DIN 50961	EN 12329	EN 12329	ASTM B633

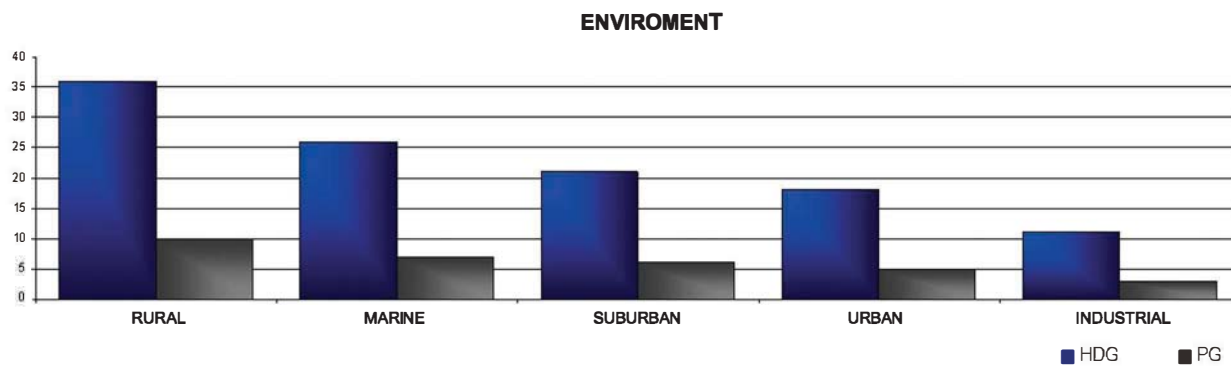
REQUIREMENTS OF HOT DIP GALVANIZATION AS PER EN ISO 1461		
ARTICLE AND ITS THICKNESS	LOCAL COATING THICKNESS (min) ^a μm	MEAN COATING THICKNESS (min) b
STEEL > 6 mm	70 (505)	85 (610)
STEEL > 3 mm - < 6 mm	55 (395)	70 (505)
STEEL > 1.5 mm - < 3 mm	45 (325)	55 (395)
STEEL < 1.5 mm	35 (250)	45 (325)
CASTINGS > 6 mm	70 (505)	80 (575)
CASTINGS < 6 mm	60 (430)	70 (505)



Hot dip pregalvanize (PG) (EN 10142 – 10327, TSE 822)

Gerpaas also offers hot dip pregalvanized finish for many products. This is also known as mill galvanized or hot dip mill galvanized or continuous hot dip galvanized. Importance of the pregalvanized finish is that pregalvanized steel can repair itself on the cut edges by means of natural spreading of the zinc surrounding the cut edges. During fabrication, cut edges and welded areas are not normally zinc coated; however, the zinc near the uncoated metal becomes a sacrificial anode to protect the bare areas after a short period of time. Pregalvanized steel is easy for welding works and ideal for painting. Temperature differences should not exceed 10 C° during storage.

COMPARISON OF HDG TO PG IN CORROSIVE ENVIRONMENTS



ZINC COATING IN PREGALVANIZED STEEL AS PER TS 822 (min)													
Steel gauge (mm)	0,35 and less	0,40	0,45	0,50	0,55	0,65	0,75	0,85	0,95	1,05	1,25	1,55	2,05
Zinc coatings as per 3 point method (gr/m)	122	153		183		214					275		
Coating class	1D	1C		1B		1A					2D		

Electrogalvanize (EG) (DIN 50961, TSE 149)

GERPAAS supplies bolts, nuts, washers, thread rods, and such fixing & fasteners in electrogalvanized finish in standard unless otherwise stated. also known as zinc plated or electroplated) is the process by which a coating of zinc is deposited on the steel by electrolysis from a bath of zinc salts. This type of zinc coating is recommended for indoor use in relatively dry areas as it can provide 96 hours protection in salt spraying tests.

Aluminum (grades 6063 and others)

Aluminum cable tray systems bring the advantage of light weight in the cable support systems.

- Aluminum cable trays are about 50% lighter than steel made items,
- are non-magnetic and this structural property avoids electrical disturbance in currents,
- Are highly resistant to corrosion

Stainless Steel

Gerpaas offers 304 and 316 (L) grade stainless steel material for most of the product ranges carried. Stainless steel material provides very effective corrosion protection in acidic and humid areas and therefore it is a longlasting solution in corrosion protection. Especially, AISI 316 grade stainless steel provides ultimate anti-corrosion performance in marine and industrial environments where high levels of humidity and acidic air are prevalent: i.e. onshore and offshore applications. AISI 316 (1.4404) is a molybdenum-bearing austenitic stainless steel with high corrosion resistant properties which also has excellent welding and forming characteristics. (Used in onshore & offshore applications, oil & gas plants, petrochemical industries etc.) AISI 304 (1.4301) also has high corrosion protection properties and is used extensively in production plants, facades and in similar corrosive exterior environments.

The chromium layer on the stainless steel surface is the area that gives the corrosion resistance characteristic to the material. Unless an extra quating (finishing) it is requested, stainless steel products do not require any additional coating for corrosion protection. The stainless steel used in Gerpaas products, which are of the austenitic class, has excellent corrosion and oxidation resistance due to the high chromium content. Austenitic stainless steels incorporate nickel which strengthens the oxide layer and increases protection in aggressive environments. As a general characteristic AISI 304 and 316 grade stainless steel material is strongly durable in high and low temperatures.

Mechanical Properties of Stainless Steel

Material Grade	Property		
	Proof Strength	Tensile strength Rm N/mm ²	Elongation A 80 %
1.4404	240 Min	530 to 680	40
1.4301	240 Min	530 to 680	40

Mechanical Properties – Austenitic Grades Bolts, Screws and Studs

Grade	Property Class	Tensile Strength Rm MPa (N/mm ²) minimum	Yield Stress R, 0.2 Mpa (N/mm ²) minimum	Elongation A Minimum	Proof Load Stress Sp Mpa (N/mm ²) minimum	Diameter Range
A2	70	700	450	0.4d	700	=<M20
And A4	80	800	600	0.3d	800	=<M20

Comparison of US and ISO Stainless Steels

A2 and A4 as compared to 304 and 316	Percent difference from US – Stainless Steel
Up to M20	44% higher
M22 and over	6% lower

Selection of Diameters Tightening Torques, Loads
Guideline values for screws in steel groups A2-70 and A4-70 with standard metric threads to DIN 13

Diameter	Load Force at 0.2 % yield point N	Initial stressing force N	Tightening torque Nm	Force in service N		
				Axial static	Axial dynamic	Radial static or dynamic
M3	2250	1420	0.9	610	360	120
M4	3960	2490	2.2	1070	640	210
M5	6390	4030	4.3	1730	1040	350
M6	9040	5700	7.3	2440	1470	490
M8	16470	10380	17.7	4450	2670	890
M10	26100	16440	35.5	7050	4230	1410
M12	37930	23900	61.3	10240	6150	2050
M16	70650	44510	147.1	19080	11450	3820
M20	110250	69460	285.1	29770	17860	5950

ENVIRONMENTAL

Thermal

Gerpaas cable trays are designed to accommodate any thermal expansion and contraction within certain temperature ranges.

Light

GERPAAS cable trays can not be affected by artificial or natural light.

RoHS

The cable tray and ladder system components do not include any of the materials identified in the RoHS regulations.

Green Issues

All boxes and packs are manufactured of recyclable or biodegradable material, where practicable.

ELECTRICAL CONTINUITY

GERPAAS earth links create connections with the required electrical continuity as per IEC 61537 on cable trays and cable ladders. Earth links (earth bonding straps) are fixed on cable tray and cable ladders At coupling regions. Each end of earth link requires 1 M8 / M10 bolt & nut.

Cable Tray Width / CSA Table	
Width of Tray (W)	CSA
50 – 300mm	16mm ²
300 – 900mm	25mm ²

CLASSIFICATION TO EN 61537

#	General Properties of GERPAAS Cable Tray & Cable Ladder Systems to IEC 61537
1.	Metallic material
2	Fire resistant (non-flame propagating system component)
3.	Electrical continuity
4	Electrical conductivity
5.	Metallic coated
6.	Ideal temperature range in stocking, shipping, and installation is -20°C / +105°C
7.	Free base area of GE-KT cable trays is C class.
8.	Free base area of GE-MC cable ladders is Y class

Material	Modulus of Elasticity (10 ⁶ Pa)	Shear Modulus (10 ⁶ Pa)	Bulk Modulus (10 ⁶ Pa)	Poisson's Ratio (10 ⁶ Pa)
Copper	107558,2	39989,6	123416,2	0,355
Stainless Steel	190295,3	73084,4	162716,3	0,305
Steel, Cast	196500,6	77910,8	139274,1	0,265
Steel, C.R.	203395,3	79289,7	159268,9	0,287

Material	coefficient of linear thermal expansion α	coefficient of volumetric thermal expansion β
	α in 10-6/C at 20 °C	$\beta(=3\alpha)$ in 10-6/C at 20 °C
Stainless steel	17.3	51.9
Steel	11.0 ~ 13.0	33.0~ 39.0
Aluminium	23	69
Copper	17	51

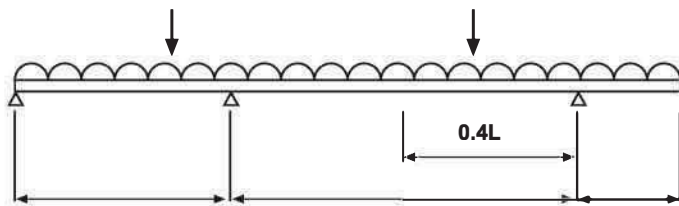
TECHNICAL INFORMATION ON ELECTROSTATIC POWDER COATING SPECIFICATIONS
ELEKTRO STATİK TOZ FIRIN BOYA TEKNİK ÖZELLİKLERİ
СТАТИЧЕСКИХ ПОРОШКОВАЯ КРАСКА ХАРАКТЕРИСТИКИ

POLYESTER PAINT (PEF) Application for outdoor use		TEST TYPE	EPOXY POLYESTER PAINT (EP/PE) Application for indoor use	
PEF	STANDARD		STANDARD	EP/PE
60	-	FILM THICKNESS (micron)	-	60
70-180	ASTM 2796 5/8 steel ball	IMPACT RESISTANCE (kg-cm)	ASTM 2796 5/8 steel ball	70-180
5-10	DIN 53106 ISO1520	ERICHSEN TEST (mm)	DIN 53106 ISO1520	5-10
3-12	DIN 53125 ISO 1520	BENDING TEST (mm)	DIN 53125 ISO 1520	3-12
80-100	DIN 53153 ISO 2815	BUCHOLZ HARDNESS (kg-cm)	DIN 53153 ISO 2815	80-100
HB-2H	ASTM D 3363	PENCIL HARDNESS	ASTM D 3363	HB-2H
1000 hours Perfect	SALT FOG TEST ASTM B 117-73	CORROSION RESISTANCE-1 (Zinc phosphate coated steel)	SALT FOG TEST ASTM B 117-73	1000 hours perfect
1200 hours	SALT FOG TEST	CORROSION RESISTANCE-2 5 micron zinc coating Top layer special chromated steel	ASTM 2796 5/8 steel ball	70-180
GTO No Adhesion loss	DIN 5315/2mm ISO 2409/2mm	ADHESION TEST	DIN 5315/2mm ISO 2409/2mm	GTO No Adhesion loss
PERFECT RESISTANCE TO ATMOSPHERIC CONDITIONS		RESISTANCE TO OUTDOOR CONDITIONS	PERFECT RESISTANCE TO OUTDOOR CONDITIONS	
-		RESIST. TO CHEM. ENVIRONMENT	GOOD	
PERFECT		U.V.RESISTANCE (Color and brightness)	GOOD	
PERFECT		HEAT RESISTANCE	GOOD	

IMPORTANCE OF COUPLERS IN LOAD CAPACITY OF CABLE TRAYS

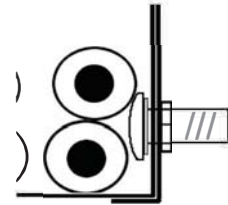
The choice of couplers is an important fact like that of their positioning in the span and a correctly placed coupler increases the load bearing performance of the cable trays and cable ladders. GERPAAS® couplers are designed and tested for high mechanical resistance as well as electrical performance.

For most of the spans, we recommend a coupling distance of $1/4L$ in all applications. Please note that all load capacity information provided within this catalogue are for uniformly distributed loads unless otherwise stated specifically. The standard imposes a deflection of $1/100$ of the span.



INSTALLATION OF FIXING SETS

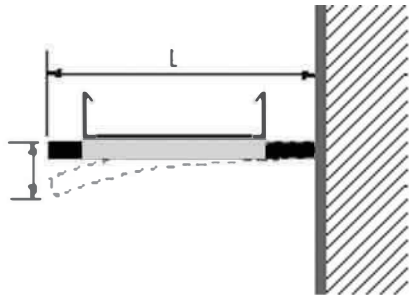
The entire GERPAAS® cable tray and cable ladder system is standardized to M8 fixings which enables the use of one standard size. All fixing sets (incl. 1 bolt, and 1 nut) are supplied in electro zinc plated finish (EG). Additionally, stainless steel made fixing sets are available upon request. It is strongly recommended to keep the rounded head of the bolts inside the cable tray to provide smooth edges inside the cable route.



RECOMMENDED LOADS FOR STRUT CHANNELS

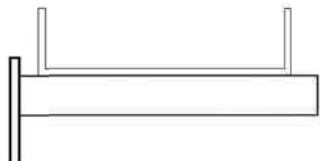
Span (mm)	41x21x2.0	41x21x2.5	41x21x2.5	41x41x2.0	41x41x2.5	41x41x2.5	41x21x2.0	41x21x2.5	41x41x2.0	41x41x2.5
	Perforated	Perforated	non-perforated	Perforated	Perforated	Non-perforated	Back-to-back	Back-to-back	Back-to-back	Back-to-back
500	210	250	270	640	780	825	610	750	1820	2300
750	105	120	145	430	520	555	415	500	1250	1500
1000	55	65	80	320	390	410	310	375	950	1100
1250	35	40	50	215	265	305	205	245	760	980
1500	25	30	35	150	180	210	140	170	635	750
1750	15	20	25	110	135	155	105	125	540	650
2000	15	15	20	80	100	120	80	95	475	570
2250	10	12	15	65	80	95	60	75	385	475
2500	10	10	10	55	65	75	50	60	315	385
2750	8	9	10	45	55	60	40	50	260	320
3000	7	8	8	35	45	50	35	40	215	265

SUPPORTS

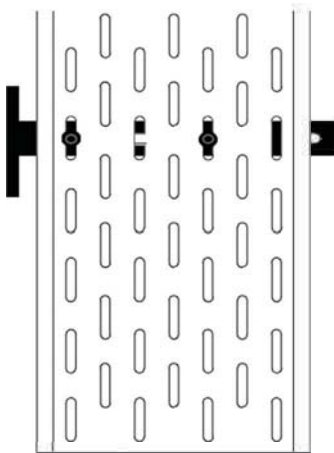


- The safe working load is limited by a maximum deflection of $L/20$ at the end of the bracket.
- A safety factor of 1.7 must be included.

The recommended support distance is 1500 millimeters since optimum strength is achieved in spans of 1500mm. Supports for cable ladder should be spaced with the recommended span in order to suit the load capacity of the cable tray system most economically. The general rule is that the load carrying capacity of a system increases as the span decreases.

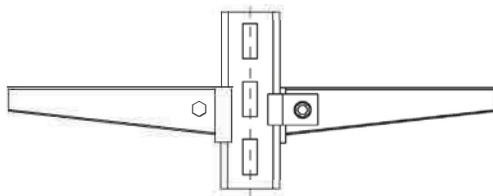


Position the cable tray or cable ladder close to the bracket head plate.

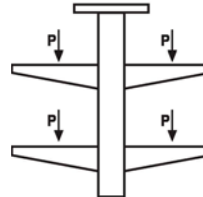
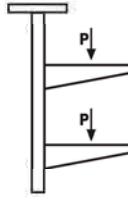
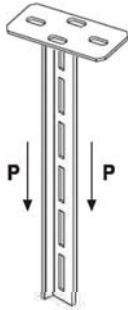


- Fix the cable tray onto the bracket through the matching slots.
- Avoid loose fixings.
- Make sure the cable tray is strongly fixed to the bracket.
- A minimum of 2 pairs of M8 bolts and nut must be used for each bracket.

Application of GE-IK brackets

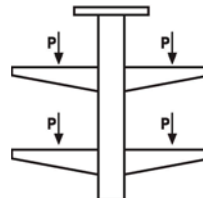
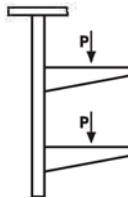
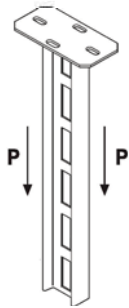


Application of T type ceiling brackets and SWL



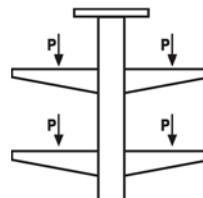
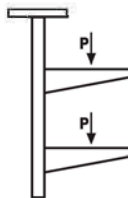
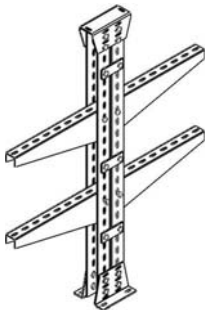
L (mm)	Load (N)
100	4315
200	3432
400	2354
600	5884

Application of I type ceiling brackets and SWL



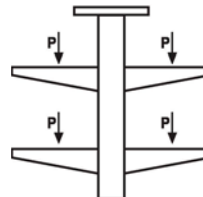
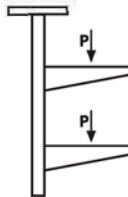
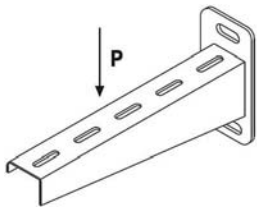
L (mm)	Load (N)
100	5900
200	5500
400	5000
600	4500

Application of hanger brackets and SWL



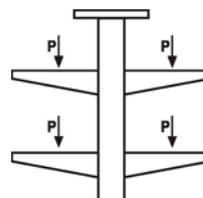
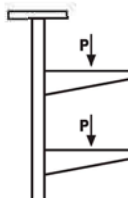
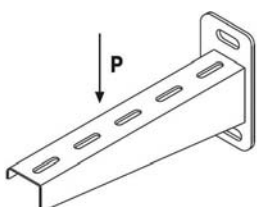
L (mm)	Load (N)
100	3500
200	2600
400	1500
600	700

Application of GE-KD wall brackets and SWL



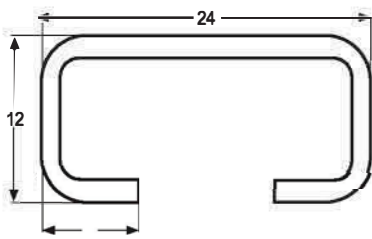
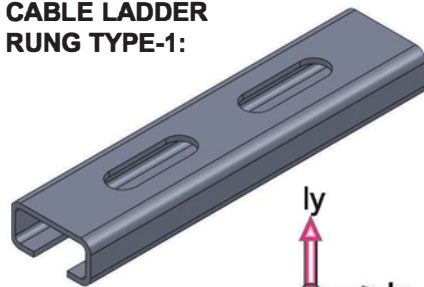
L (mm)	Load (N)
100	1800
200	1100
400	1300
600	550

Application of GE-KDA wall brackets and SWL



L (mm)	Load (N)
100	2300
200	1800
400	1500
600	900

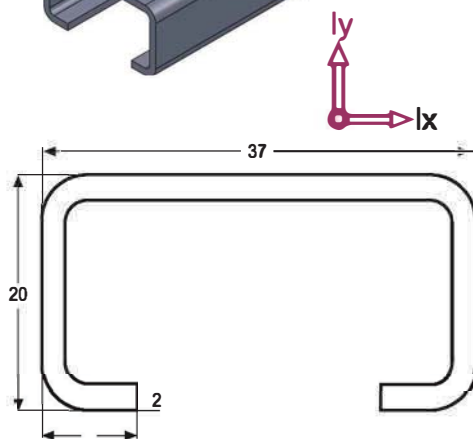
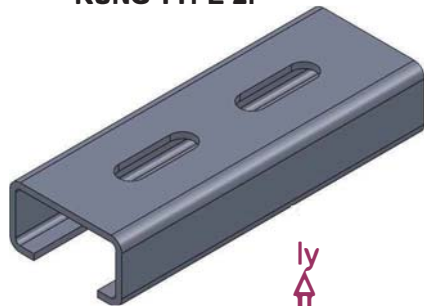
CABLE LADDER RUNG TYPE-1:



W	Density	Mass	Volume	Surface Area
mm	gr/mm ³	gr	mm ³	mm ²
100	0.0078	56.64	7261.78	10316.18
150		86.42	10822.82	15325.11
200		112.19	14383.86	20334.03
250		139.97	17944.90	25342.96
300		167.75	21505.94	30351.89
400		223.30	28628.02	28628.02
450		251.07	32189.06	40369.74
500		278.85	35750.10	50387.60
600		334.40	42872.17	60405.45
750		417.73	53555.29	75432.23
900	501.06	64238.41	90459.01	

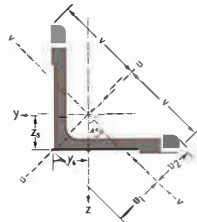
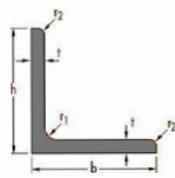
Area of Section	78.21	mm ²	600
I_x	1496.44	mm ⁴	750
I_y	5958.81	mm ⁴	900

CABLE LADDER RUNG TYPE-2:

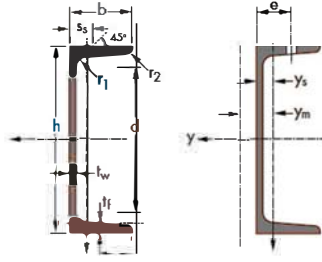


W	Density	Mass	Volume	Surface Area
mm	gr/mm ³	gr	mm ³	mm ²
100	0.0078	120.09	15396.53	16355.89
150		179.41	23001.66	24308.86
200		238.73	30606.80	32261.82
250		298.05	38211.93	40214.79
300		357.37	45817.06	41867.75
400		476.01	61027.33	64073.68
450		535.33	68632.46	72026.65
500		594.65	76237.59	79979.61
600		713.29	91447.86	95885.54
750		891.25	114263.30	119744.40
900	1069.21	137078.65	143603.33	

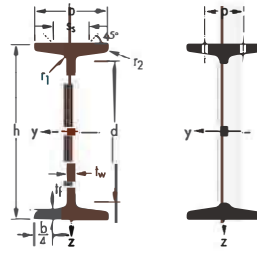
Area of Section	161.42	mm ²	600
I_x	8317.01	mm ⁴	750
I_y	32161.30	mm ⁴	900



Part no	G kg/m	axis y-y / axis z-z			axis u-u			axis v-v			Dimensions						Position of axes					
		mm4 x104	mm3 x103	mm x10	mm4 x104	mm x10	mm4 x104	mm x10	mm4 x104	mm x10	mm x10	mm x10	mm x10	mm x10	mm x10	mm2 x102	mm x10	mm x10	mm x10	mm x10	mm x10	
GE-NPLA-20.20.3	0,88	0,388	0,276	0,589	0,614	0,74	0,162	0,38	-0,226	20	3	3,5	2	1,12	0,596	1,41	0,843	0,7				
GE-NPLA-25.25.3	1,10	0,796	0,448	0,749	1,26	0,944	0,329	0,481	-0,467	25	3	3,5	2	1,42	0,721	1,77	1,02	0,877				
GE-NPLA-25.25.4	1,45	1,01	0,582	0,74	1,6	0,93	0,425	0,479	-0,587	25	4	3,5	2	1,85	0,761	1,77	1,08	0,892				
GE-NPLA-30.30.3	1,36	1,4	0,649	0,899	2,23	1,13	0,579	0,578	-0,825	30	3	5	2,5	1,74	0,835	2,12	1,18	1,05				
GE-NPLA-30.30.4	1,78	1,8	0,85	0,892	2,86	1,12	0,749	0,575	-1,05	30	4	5	2,5	2,27	0,878	2,12	1,24	1,06				
GE-NPLA-35.35.4	2,09	2,95	1,18	1,05	4,69	1,33	1,22	0,68	-1,73	35	4	5	2,5	2,67	1	2,47	1,42	1,24				
GE-NPLA-40.40.3	1,84	3,76	1,32	1,22	6,04	1,52	1,57	0,77	-2,19	40	3	6	3	2,47	1,02	2,83	1,45	1,38				
GE-NPLA-40.40.4	2,42	4,47	1,55	1,21	7,1	1,52	1,84	0,77	-2,63	40	4	6	3	3,08	1,12	2,83	1,58	1,4				
GE-NPLA-40.40.5	2,97	5,43	1,91	1,20	8,61	1,51	2,25	0,77	-3,18	40	5	6	3	3,79	1,16	2,83	1,64	1,41				
GE-NPLA-45.45.4	2,74	6,43	1,97	1,36	10,21	1,71	2,65	0,87	-3,78	45	4	7	3,5	3,49	1,23	3,18	1,75	1,57				
GE-NPLA-45.45.4,5	3,05	7,15	2,2	1,35	11,35	1,71	2,95	0,87	-4,2	45	4,5	7	3,5	3,9	1,26	3,18	1,78	1,58				
GE-NPLA-45.45.5	3,38	7,84	2,43	1,35	12,45	1,7	3,24	0,87	-4,6	45	5	7	3,5	4,3	1,28	3,18	1,81	1,58				
GE-NPLA-50.50.4	3,06	8,97	2,46	1,52	14,25	1,91	3,7	0,97	-5,28	50	4	7	3,5	3,89	1,36	3,54	1,92	1,75				
GE-NPLA-50.50.5	3,77	10,96	3,05	1,51	17,41	1,9	4,52	0,97	-6,45	50	5	7	3,5	4,8	1,4	3,54	1,99	1,76				
GE-NPLA-50.50.6	4,47	12,84	3,61	1,5	20,37	1,89	5,31	0,97	-7,53	50	6	7	3,5	5,69	1,45	3,54	2,04	1,77				
GE-NPLA-50.50.7	5,15	14,61	4,16	1,49	23,14	1,88	6,09	0,96	-8,52	50	7	7	3,5	6,56	1,49	3,54	2,1	1,78				
GE-NPLA-55.55.5	4,18	14,71	3,71	1,66	23,37	2,1	6,06	1,07	-8,66	55	5	8	4	5,32	1,52	3,89	2,15	1,93				
GE-NPLA-55.55.6	4,95	17,29	4,39	1,66	27,44	2,09	7,13	1,06	-10,16	55	6	8	4	6,31	1,56	3,89	2,21	1,94				
GE-NPLA-60.60.4	3,70	15,78	3,58	1,83	25,04	2,31	6,51	1,18	-9,26	60	4	8	4	4,71	1,6	4,24	2,26	2,1				
GE-NPLA-60.60.5	4,57	19,37	4,45	1,82	30,77	2,3	7,97	1,17	-11,4	60	5	8	4	5,82	1,64	4,24	2,32	2,11				
GE-NPLA-60.60.6	5,42	22,79	5,29	1,82	36,2	2,29	9,38	1,17	-13,41	60	6	8	4	6,91	1,69	4,24	2,39	2,11				
GE-NPLA-60.60.8	7,09	29,15	6,89	1,8	46,19	2,26	12,11	1,16	-17,04	60	8	8	4	9,03	1,77	4,24	2,5	2,14				
GE-NPLA-65.65.6	5,91	29,19	6,21	1,97	46,36	2,48	12,01	1,26	-17,17	65	6	9	4,5	7,53	1,8	4,6	2,55	2,28				
GE-NPLA-65.65.7	6,83	33,43	7,18	1,96	53,08	2,47	13,78	1,26	-19,65	65	7	9	4,5	8,7	1,85	4,6	2,61	2,29				
GE-NPLA-65.65.8	7,73	37,49	8,13	1,95	59,46	2,46	15,52	1,26	-21,97	65	8	9	4,5	9,85	1,89	4,6	2,67	2,31				



Part no.	G	h	b	tw	tf	r1	r2	Iy	Wely	Wply	iy	Avz	Iz	Wel.z	Wpl.z'	Iz	ss	It	Iw	ys	ym
	kg/m	mm	mm	mm	mm	mm	mm	mm ⁴ x104	mm ³ x103	mm ³ x103	mm	mm ² x102	mm ⁴ x104	mm ³ x103	mm ³ x103	mm	mm	mm ⁴ x104	mm ⁶ x109	mm	mm
GE-NPU-50	UPN 50*	50	38	5	7	7	3,5	26,4	10,6	13,1	1,92	2,77	9,12	3,75	6,78	1,13	16,7	1,12	0,03	1,37	2,47
GE-NPU-65	UPN 65*	65	42	5,5	7,5	7,5	4	57,5	17,7	21,7	2,52	3,68	14,1	5,07	9,38	1,25	18	1,61	0,08	1,42	2,6
GE-NPU-80	UPN 80*	80	45	6	8	8	4	106	26,5	32,3	3,1	4,9	19,4	6,36	11,9	1,33	19,4	2,2	0,18	1,45	2,67
GE-NPU-100	UPN 100*	100	50	6	8,5	8,5	4,5	206	41,2	49	3,91	6,46	29,3	8,49	16,2	1,47	20,3	2,81	0,41	1,55	2,93
GE-NPU-120	UPN 120	120	55	7	9	9	4,5	364	60,7	72,6	4,62	8,8	43,2	11,1	21,2	1,59	22,2	4,15	0,9	1,6	3,03
GE-NPU-140	UPN 140	140	60	7	10	10	5	605	86,4	103	5,45	10,4	62,7	14,8	28,3	1,75	23,9	5,68	1,8	1,75	3,37
GE-NPU-160	UPN 160	160	65	7,5	10,5	10,5	5,5	925	116	138	6,21	12,6	85,3	18,3	35,2	1,89	25,3	7,39	3,26	1,84	3,56
GE-NPU-180	UPN 180	180	70	8	11	11	5,5	1350	150	179	6,95	15,1	114	22,4	42,9	2,02	26,7	9,55	5,57	1,92	3,75
GE-NPU-200	UPN 200	200	75	8,5	11,5	11,5	6	1910	191	228	7,7	17,7	148	27	51,8	2,14	28,1	11,9	9,07	2,01	3,94
GE-NPU-220	UPN 220	220	80	9	12,5	12,5	6,5	2690	245	292	8,48	20,6	197	33,6	64,1	2,3	30,3	16	14,6	2,14	4,2
GE-NPU-240	UPN 240	240	85	9,5	13	13	6,5	3600	300	358	9,22	23,7	248	39,6	75,7	2,42	31,7	19,7	22,1	2,23	4,39
GE-NPU-260	UPN 260	260	90	10	14	14	7	4820	371	442	9,99	27,1	317	47,7	91,6	2,56	33,9	25,5	33,3	2,36	4,66
GE-NPU-280	UPN 280	280	95	10	15	15	7,5	6280	448	532	10,9	29,3	399	57,2	109	2,74	35,6	31	48,5	2,53	5,02
GE-NPU-300	UPN 300	300	100	10	16	16	8	8080	535	632	11,7	31,8	495	67,8	130	2,9	37,3	37,4	69,1	2,7	5,41
GE-NPU-320	UPN 320*	320	100	14	17,5	17,5	8,8	10870	679	826	12,1	47,1	597	80,6	152	2,81	43	66,7	96,1	2,6	4,82
GE-NPU-350	UPN 350	350	100	14	16	16	8	12840	734	918	12,9	50,8	570	75	143	2,72	40,7	61,2	114	2,4	4,45
GE-NPU-380	UPN 380*	380	102	13,5	16	16	8	15760	829	1010	14	53,2	615	78,7	148	2,77	40,3	59,1	146	2,38	4,58
GE-NPU-400	UPN 400*	400	110	14	18	18	9	20350	1020	1240	14,9	58,6	846	102	190	3,04	44	81,6	221	2,65	5,11



Section properties

Part no	Dimensions										strong axis y-y					weak axis z-z				
	G	h	b	tw	tf	r1	r2	A	Iy	Wei.y	Wpl.y	Iy	Avz	Iz	Wei.z	Wpl.z	Iz	ss	It	Iw
kg/m	mm	mm	mm	mm	mm	mm	mm	mm ²	mm ⁴	mm ³	mm ³	mm	mm ²	mm ⁴	mm ³	mm ³	mm	mm	mm ⁴	mm ⁶
GE-IPN 80	5,94	80	42	3,9	5,9	3,9	2,3	7,57	77,8	19,5	22,8	3,2	3,41	6,29	3	5	0,91	21,6	0,87	0,09
GE-IPN 100	8,34	100	50	4,5	6,8	4,5	2,7	10,6	171	34,2	39,8	4,01	4,85	12,2	4,88	8,1	1,07	25	1,6	0,27
GE-IPN 120	11,1	120	58	5,1	7,7	5,1	3,1	14,2	328	54,7	63,6	4,81	6,63	21,5	7,41	12,4	1,23	28,4	2,71	0,69
GE-IPN 140	14,3	140	66	5,7	8,6	5,7	3,4	18,2	573	81,9	95,4	5,61	8,65	35,2	10,7	17,9	1,4	31,8	4,32	1,54
GE-IPN 160	17,9	160	74	6,3	9,5	6,3	3,8	22,8	935	117	136	6,4	10,83	54,7	14,8	24,9	1,55	35,2	6,57	3,14
GE-IPN 180	21,9	180	82	6,9	10,4	6,9	4,1	27,9	1450	161	187	7,2	13,35	81,3	19,8	33,2	1,71	38,6	9,58	5,92
GE-IPN 200	26,2	200	90	7,5	11,3	7,5	4,5	33,4	2140	214	250	8	16,03	117	26	43,5	1,87	42	13,5	10,5
GE-IPN 220	31,1	220	98	8,1	12,2	8,1	4,9	39,5	3060	278	324	8,8	19,06	162	33,1	55,7	2,02	45,4	18,6	17,8
GE-IPN 240	36,2	240	106	8,7	13,1	8,7	5,2	46,1	4250	354	412	9,59	22,33	221	41,7	70	2,2	48,9	25	28,7
GE-IPN 260	41,9	260	113	9,4	14,1	9,4	5,6	53,3	5740	442	514	10,4	26,08	288	51	85,9	2,32	52,6	33,5	44,1
GE-IPN 280	47,9	280	119	10,1	15,2	10,1	6,1	61	7590	542	632	11,1	30,18	364	61,2	103	2,45	56,4	44,2	64,6
GE-IPN 300	54,2	300	125	10,8	16,2	10,8	6,5	69	9800	653	762	11,9	34,58	451	72,2	121	2,56	60,1	56,8	91,8
GE-IPN 320	61	320	131	11,5	17,3	11,5	6,9	77,7	12510	782	914	12,7	39,26	555	84,7	143	2,67	63,9	72,5	129
GE-IPN 340	68	340	137	12,2	18,3	12,2	7,3	86,7	15700	923	1080	13,5	44,27	674	98,4	166	2,8	67,6	90,4	176
GE-IPN 360	76,1	360	143	13	19,5	13	7,8	97	19610	1090	1276	14,2	49,95	818	114	194	2,9	71,8	115	240
GE-IPN 380	84	380	149	13,7	20,5	13,7	8,2	107	24010	1260	1482	15	55,55	975	131	221	3,02	75,4	141	319
GE-IPN 400	92,4	400	155	14,4	21,6	14,4	8,6	118	29210	1460	1714	15,7	61,69	1160	149	253	3,13	79,3	170	420
GE-IPN 450	115	450	170	16,2	24,3	16,2	9,7	147	45850	2040	2400	17,7	77,79	1730	203	345	3,43	88,9	267	791
GE-IPN 500	141	500	185	18	27	18	10,8	179	68740	2750	3240	19,6	95,6	2480	268	456	3,72	98,5	402	1400
GE-IPN 550	166	550	200	19	30	19	11,9	212	99180	3610	4240	21,6	111,3	3490	349	592	4,02	107,3	544	2390
GE-IPN 600	199	600	215	21,6	32,4	21,6	13	254	139000	4630	5452	23,4	138	4670	434	752	4,3	117,6	787	3814

